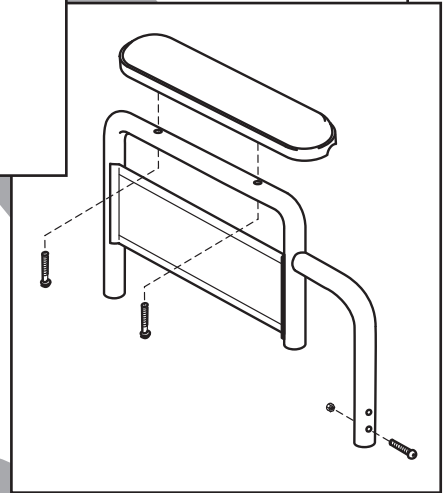
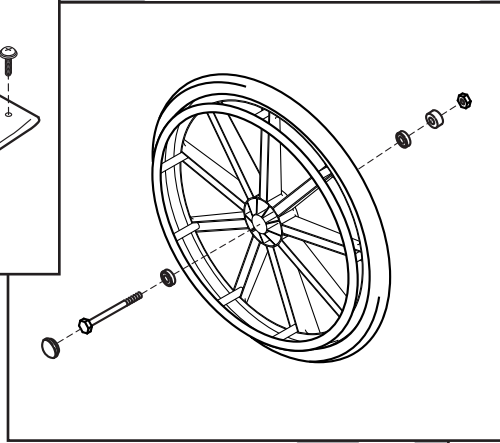
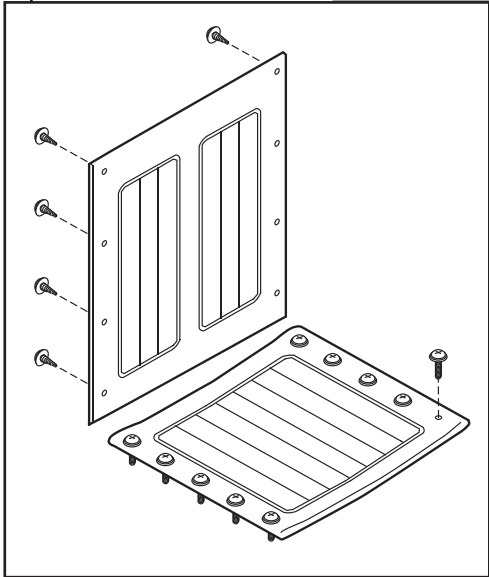


# **Traveler<sup>®</sup>**

## **HTC**

### **PARTS CATALOG**



# CONTENTS

---

SIDEFAME AND CROSSBRACE .....	3
ARM, DETACHABLE .....	4
UPHOLSTERY .....	4
REAR WHEEL .....	5
CASTER.....	5
FRONT RIGGING, DETACHABLE .....	6
ACCESSORIES .....	7

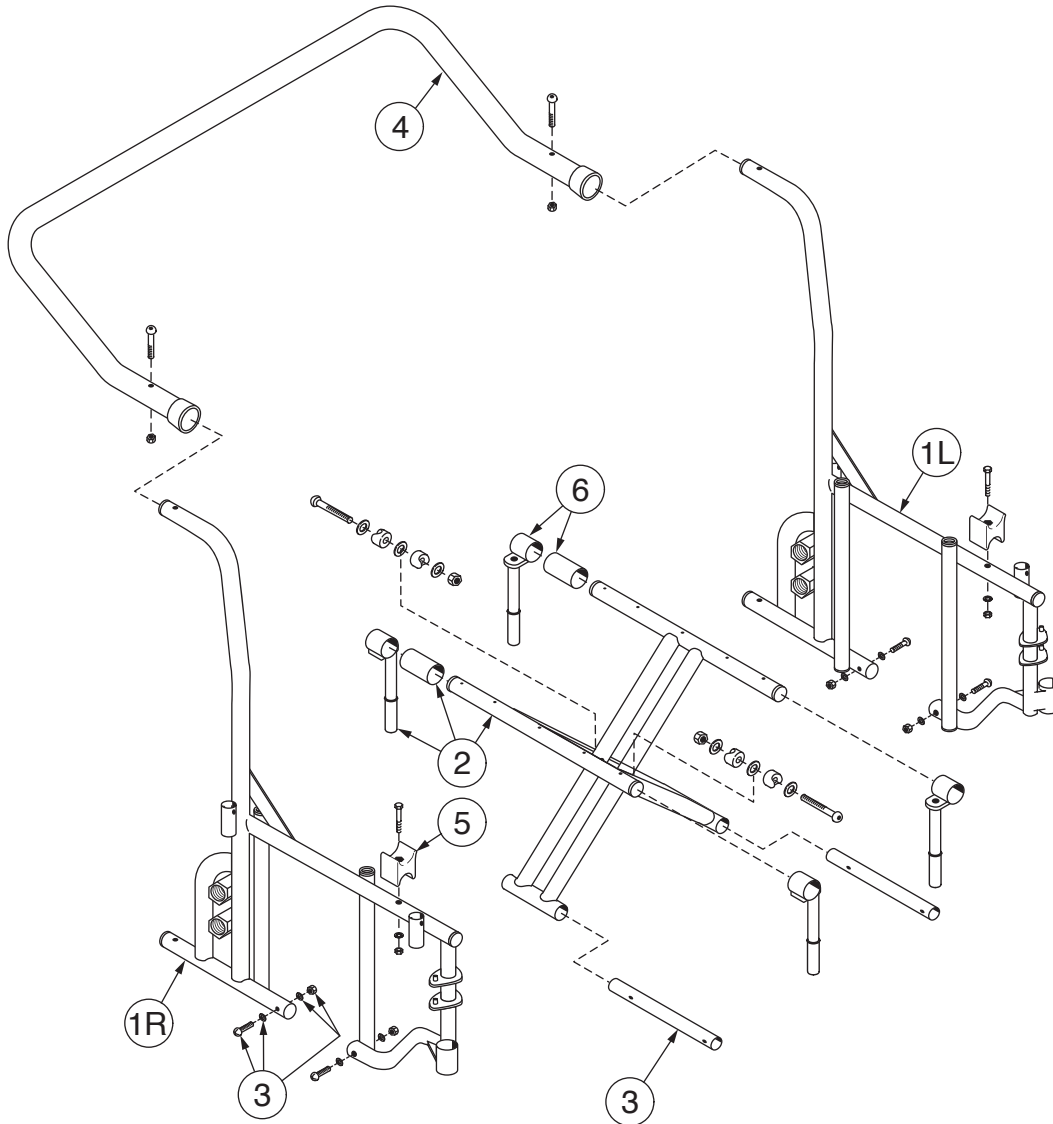
Returns: Parts may not be returned without prior authorization from GF Health Products, Inc. Custom parts cannot be returned for credit. Please refer to GF Health Products, Inc. [Terms and Conditions](#) for further information.

GF Health Products, Inc. is not responsible for typographical errors. All illustrations, specifications, packaging and warranties contained in this catalog are based on the latest product information available at the time of printing.

Everest & Jennings, E&J, Traveler, and Graham-Field are registered trademarks of GF Health Products, Inc.

© 2012, GF Health Products, Inc., All Rights Reserved

# SIDEFAME AND CROSSBRACE



## 1 Sideframe, all widths

Right ..... 90763601  
 Left ..... 90763602

## 2 Crossbrace, pair

Includes slides, center bolt and nut

20" W ..... 907634C1  
 22" W ..... 907634C2  
 24" W ..... 907634C3

## 3 Bottom inner rail kit

Includes bottom inner rail (pair),  
 screw and nut that hold bottom  
 inner rail (4 each), and sleeve (pair) ... 90763503

## 4 Push handle

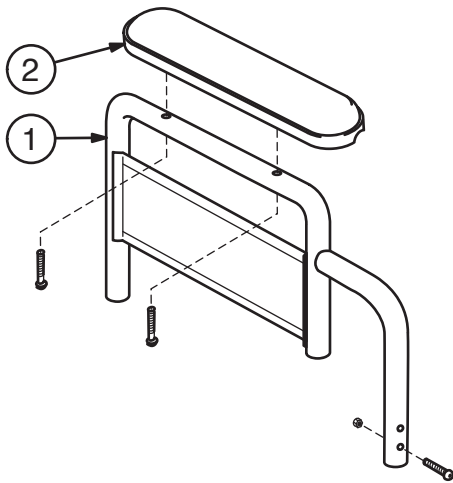
Includes hardware

20" W ..... 907636B1  
 22" W ..... 907636B2  
 24" W ..... 907636B3

## 5 Seat rail cradle, screw, washer and nut (pair) ..... 90763403

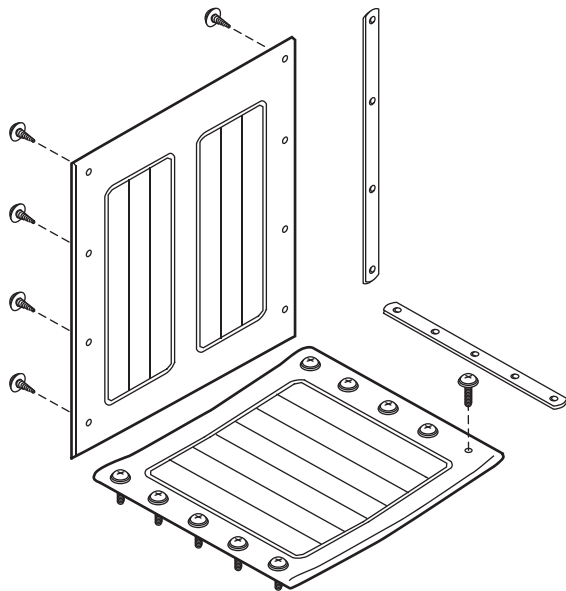
## 6 Seat slide and seat rail sleeve (2 each) ..... 90763404

# ARM, DETACHABLE



- 1 Arm, detachable desk length fixed-height, pair  
Includes right and left arm with side panel and mounting hardware (does not include arm pad) ..... 90763620
- 2 Arm pad, desk length, pair  
Includes two black arm pads and mounting screws ..... 90763022

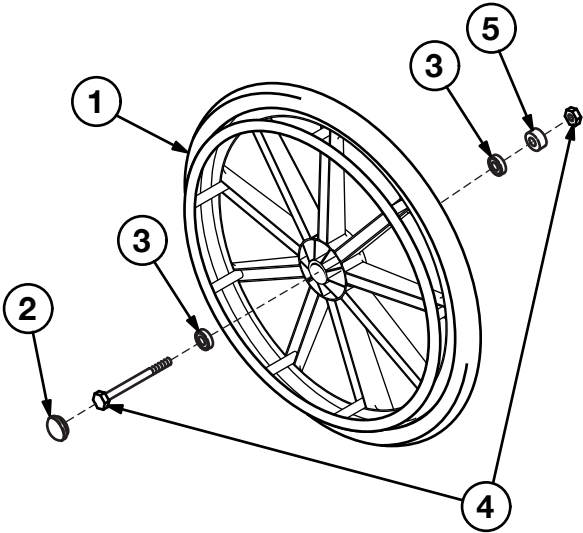
# UPHOLSTERY



- Back upholstery, black leatherette, with built-in chart holder  
Includes mounting strips and screws
- 20" W ..... 907636A1
- 22" W ..... 907636A2
- 24" W ..... 907637A3

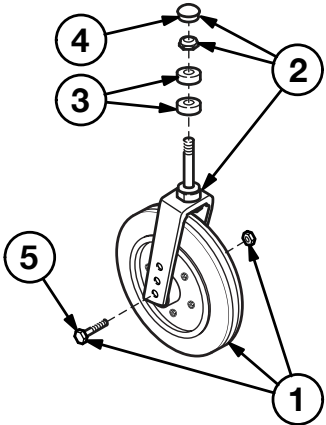
- Seat upholstery, black leatherette  
Includes mounting strips and screws
- 20" W x 18" D ..... 907634B1
- 22" W x 18" D ..... 907634B2
- 24" W x 18" D ..... 907634B3

# REAR WHEEL



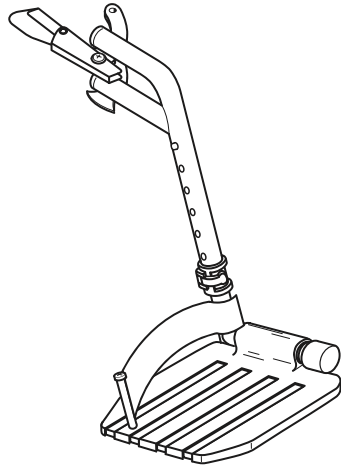
- 1 Rear wheel with handrim, 24" x 1", polyurethane tire  
Includes hub cap and bearing;  
does not include axle or nut..... 90763450
- 2 Hub cap (10 each)..... 90763451
- 3 Wheel bearing (10 each) ..... 90763452
- 4 Rear axle and nut (10 each)..... 90763453
- 5 Spacer (10 each)..... 90763454

# CASTER



- Complete caster (fork and wheel),  
8" x 2" solid urethane tire ..... 90763440
- 1 Caster wheel, axle and nut ..... 90763441
- 2 Caster fork, stem nut and dust cap .... 90763042
- 3 Caster stem bearing (10 each) ..... 90763043
- 4 Caster dust cap (10 each)..... 90763044
- 5 Caster axle and nut (10 each)..... 90763045

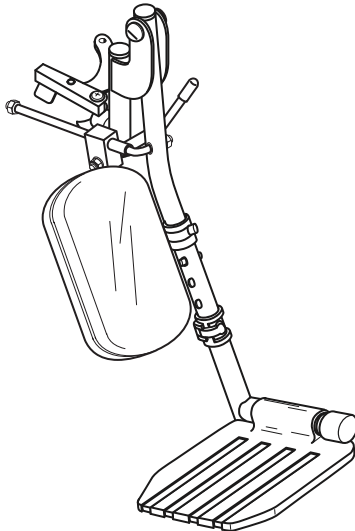
# FRONT RIGGING, DETACHABLE



**Optional footrest, pair, all widths**  
**Includes right and left hanger with release**  
**and aluminum footplate with extension**  
**and heel loop ..... 90763430**

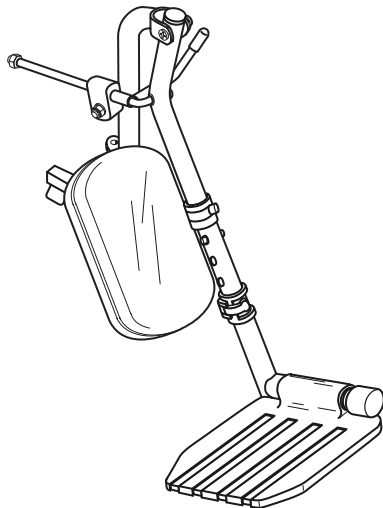
**Aluminum footplate (pair)**  
**(Fits all front rigging) ..... 90763433**

**Anti-Theft nut (set of 4)**  
**(Fits all front rigging) ..... 90763630**



**Low-pivot elevating legrest, pair, all widths**  
**Includes right and left hanger with release,**  
**aluminum footplate with extension, and**  
**legrest panel (does not include**  
**heel loop) ..... 90763431**

**Elevating legrest panel kit**  
**(Fits all elevating legrests)**  
**Includes 2 black padded panels**  
**and hardware .....90763032**



**High-pivot elevating legrest, pair, all widths**  
**Includes right and left hanger with release,**  
**aluminum footplate with extension, and**  
**legrest panel (does not include**  
**heel loop) .....90763435**

**Traveler HTC accessories (not shown)**

<b>1</b>	<b>Heel loop, pair.....</b>	<b>90763064</b>
<b>2</b>	<b>Attendant wheel lock, pair (Includes hardware) .....</b>	<b>90763640</b>
<b>3</b>	<b>Rubber tip, wheel lock (10 each).....</b>	<b>90763063</b>
<b>4</b>	<b>Positioning belt (metal buckle) .....</b>	<b>90133125</b>
<b>5</b>	<b>O2-IV holder .....</b>	<b>B10320F</b>
<b>6</b>	<b>O2 cylinder holder.....</b>	<b>B10325</b>
<b>7</b>	<b>Anti-Tippers, pair (Includes hardware) .....</b>	<b>90763650</b>
<b>8</b>	<b>Anti-Theft pole (includes hardware)...</b>	<b>90763660</b>

Everest & Jennings®

**GF Health Products, Inc.**



**Traveler HTC Parts Catalog  
GF1200119RevB14**