

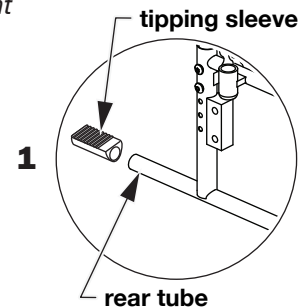
SAFETY GUIDELINES - PLEASE READ BEFORE USE

- ⚠ **WARNING: Important! Read and understand these instructions before installing the anti-tippers. If you do not understand any part of these instructions, contact your medical supply distributor for direction in the use of this product.**
- ⚠ **WARNING: GF Health Products, Inc. assumes no responsibility for any damage or injury caused by improper installation or use of this product.**

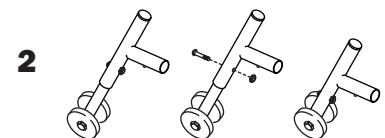
INSTALLATION

*Tools needed: Sharp blade may be needed to remove tipping sleeves
Phillips screwdriver and 3/8" wrench if adjusting anti-tipper height*

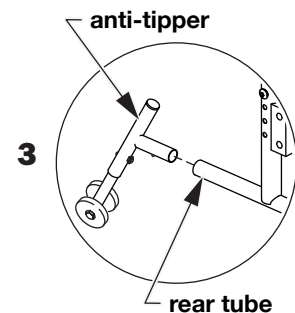
1. Remove the tipping sleeves: Slide the tipping sleeves from the sideframe rear tubes as shown at right. If not easily removed, use a sharp blade to carefully cut the tipping sleeves from the sideframe rear tubes (take care to cut only the tipping sleeves).



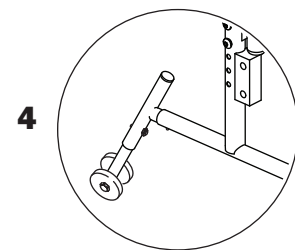
2. Adjust anti-tipper height as appropriate for seat height (see picture at right). As shipped, anti-tippers are correctly adjusted for highest seat height. To adjust for lower seat height, use a Phillips screwdriver and 3/8" wrench to remove the screws and nuts that secure anti-tipper tubes; move lower tubes upward to align lower holes with upper tubes' holes; reinstall screws and nuts; tighten until secure. **Before continuing, ensure that screws and nuts are securely installed.**



3. Install anti-tippers in sideframe rear tubes so that locking buttons protrude from holes in rear tubes' bottom walls.



4. Ensure that both anti-tippers are installed and locked into place in rear tubes as shown at right.



- ⚠ **WARNING: Ensure that anti-tippers are installed as described and all hardware is secure before operation.**

Everest & Jennings and Graham-Field are registered trademarks, and Paramount is a trademark, of GF Health Products, Inc.