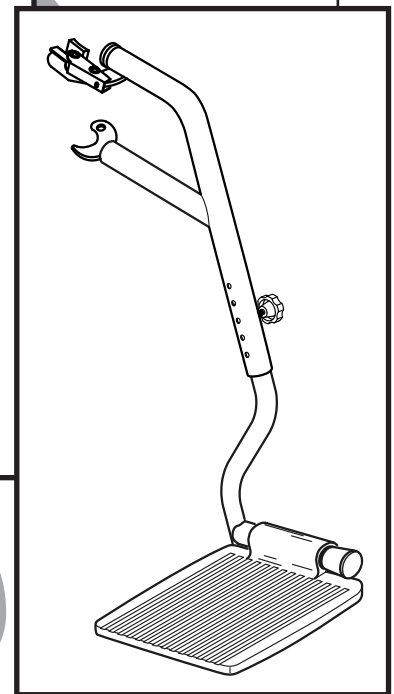
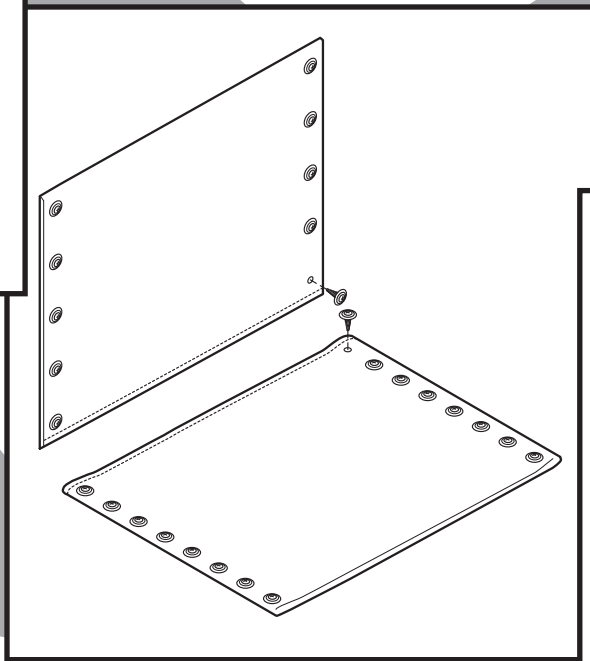
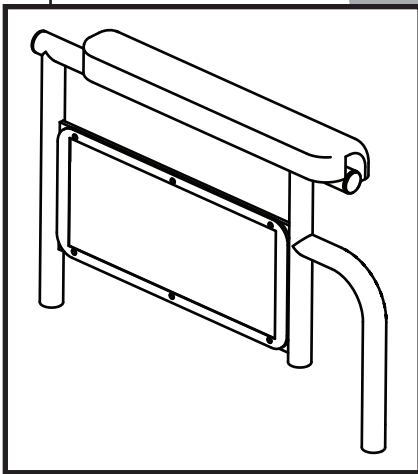


PARAMOUNT™ XD

PARTS CATALOG



CONTENTS

SIDEFAME AND CROSSBRACE3

ARM4

CASTER.....4

FOOTREST5

ELEVATING LEGREST5

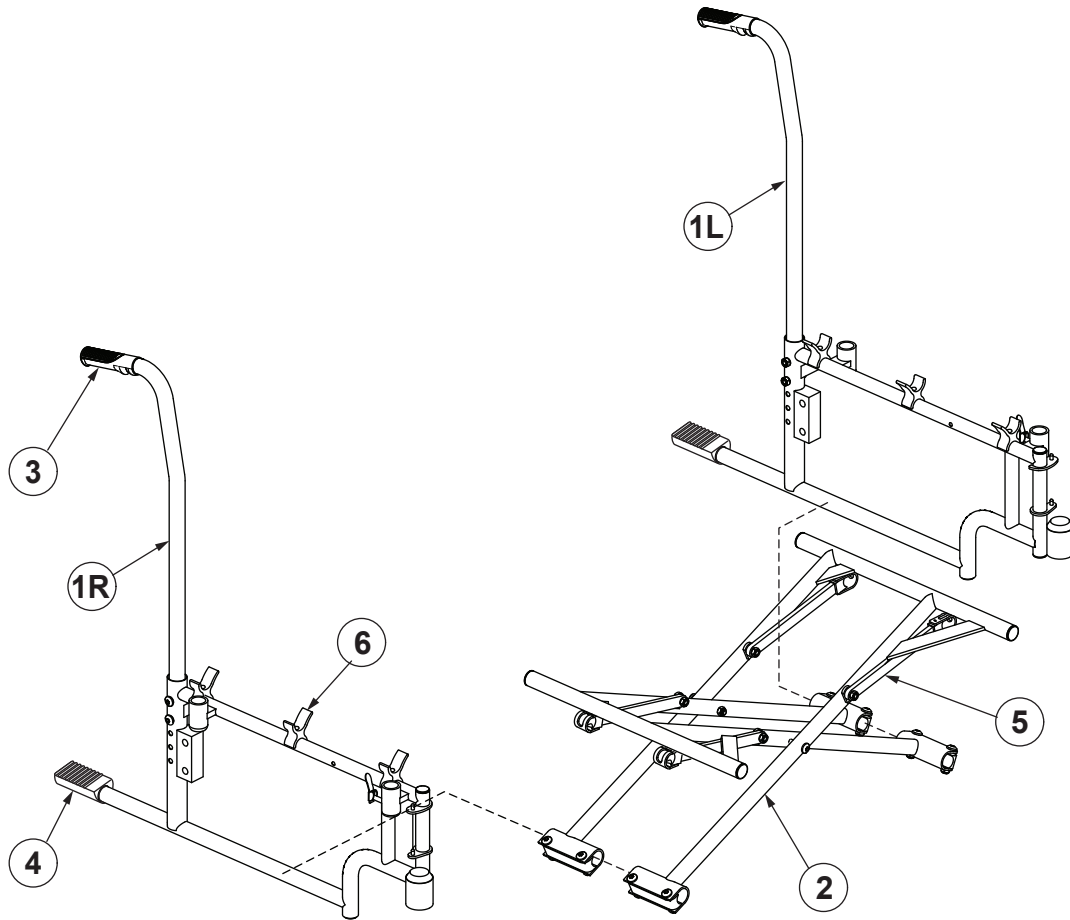
REAR WHEEL6

WHEEL LOCK6

BACK AND SEAT UPHOLSTERY7

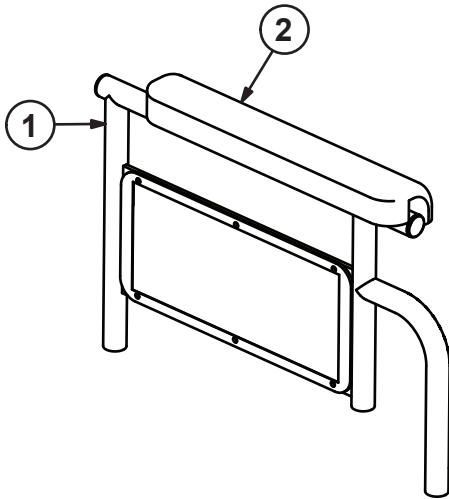
ACCESSORIES7

SIDEFAME AND CROSSBRACE



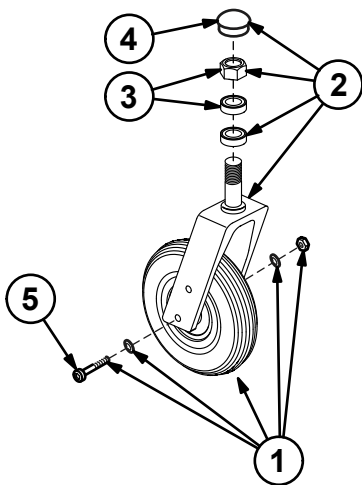
1 Sideframe, all widths; includes plugs	
Right	90762901
Left	90762902
2 Crossbrace, pair; includes plugs and crossbrace assembly hardware	
26" W x 18" D	90762903
30" W x 18" D	90762904
3 Grip, 10 each.....	90762905
4 Tipping sleeve, 10 each	90762906
5 Crossbrace link, 4 each; includes mounting hardware	
26" W	90762907
30" W	90762908
6 Cradle, 6 each; includes mounting hardware	90762909

ARM



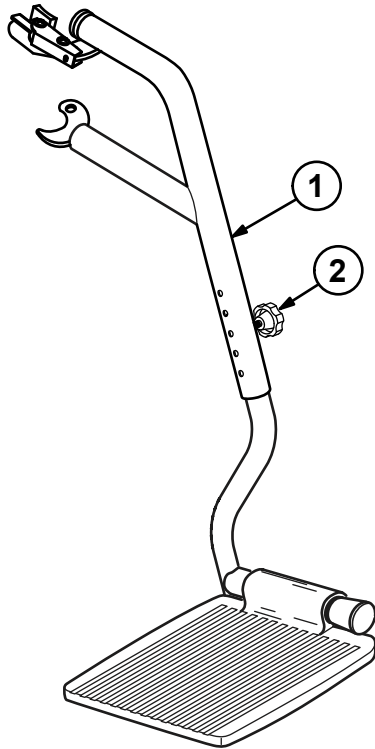
- 1 Arm, detachable fixed height desk-length, pair; includes left and right arm with side panel, spring lock, and black polyurethane arm pad 90762910
- 2 Replacement arm pad, desk-length, pair; includes 2 black polyurethane arm pads and mounting screws90762911

CASTER



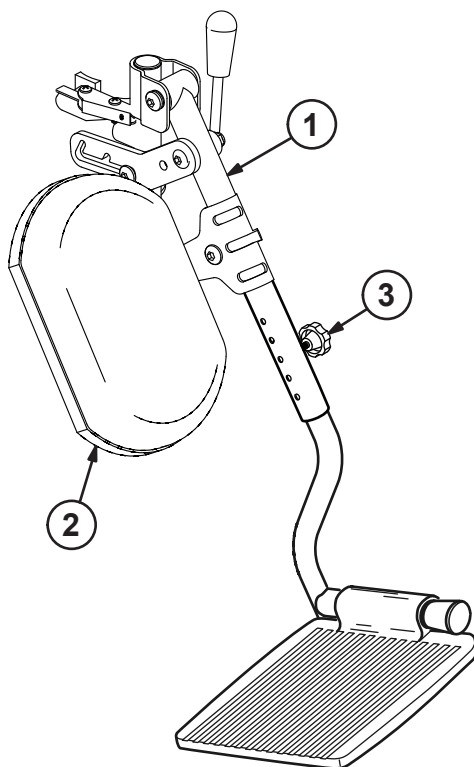
- Caster, complete; includes black aluminum fork and black plastic wheel with 8" gray polyurethane semi-pneumatic tire..... 90762912
- 1 Caster wheel, axle and nut; includes washers and axle bearings..... 90762913
- 2 Caster fork, stem nut, dust cap and washer..... 90762914
- 3 Caster stem bearing, 10 each..... 90762915
- 4 Caster dust cap, 10 each 90762916
- 5 Caster axle and nut, 10 each 90762917

FOOTREST



- 1 Footrest, swingaway and detachable, pair (left shown); includes right and left hanger, release, height-adjust knob, and aluminum footplate with extension90762918
- 2 Replacement height-adjust knob, black plastic, pair 90762938

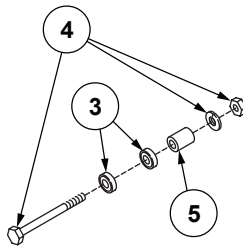
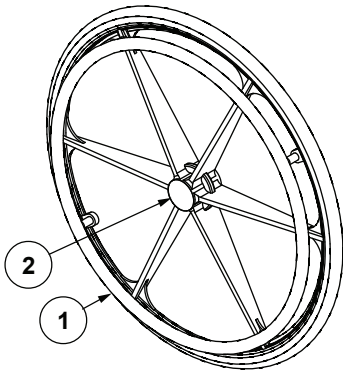
ELEVATING LEGREST



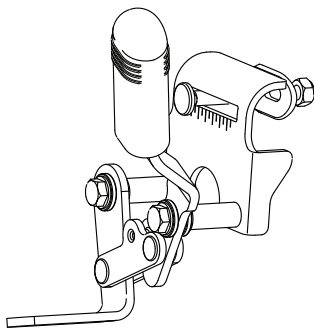
- 1 Elevating legrest, swingaway and detachable, pair (left shown); includes right and left hanger with release, height-adjust knob, panel, and aluminum footplate with extension 90762919
- 2 Elevating legrest panel; includes 2 black leatherette padded panels and hardware 90762920
- 3 Replacement height-adjust knob, black plastic, pair 90762938

REAR WHEEL

- 1 Rear wheel, 24" black composite, with solid gray rubber tire and chrome handrim; includes hub cap and wheel bearings..... 90762922
- 2 Hub cap, 10 each..... 90762923
- 3 Wheel bearing, 10 each..... 90762924
- 4 Axle, nut and washer, 10 each 90762925
- 5 Spacer, 10 each 90762926



WHEEL LOCK



- Wheel lock, push to lock, pair; includes rubber tips..... 90762927

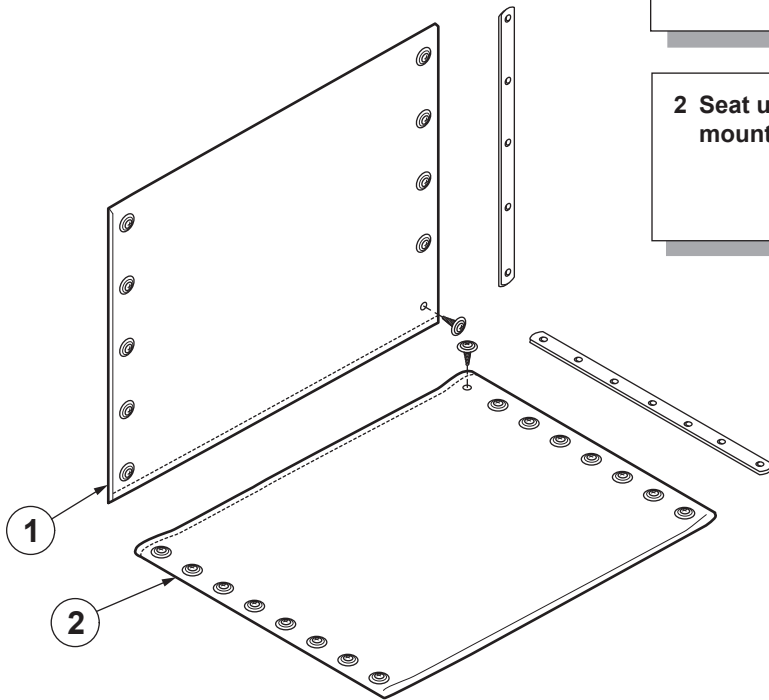
BACK AND SEAT UPHOLSTERY

1 Back upholstery, black nylon; includes mounting strips and hardware

26" W..... 90762928
30" W..... 90762929

2 Seat upholstery, black nylon; includes mounting strips and hardware

26" W x 18" D 90762930
30" W x 18" D 90762931



ACCESSORIES

Paramount XD Accessories (Not Shown)

1 Heel loop, pair..... 90762935
2 Wheel lock extension, 10 1/2", pair 90762936
3 Positioning belt with metal buckle 90762937
4 Anti-tipper, pair..... 9A000022

Everest & Jennings®



Paramount XD Parts Catalog
GF0700096RevE15