

LUMEX

splashTM
bath lift

Operating instructions

LUMEX

powered by

 **mountway**

Please ensure both yourself and any helpers read these operating instructions carefully and in full before using your bath lift. These operating instructions should be retained for future reference.

This bath lift is designed and manufactured to assist individuals in getting in and out of the tub. It should not be used for any other purpose. Do not use it in combination with other lifting or moving devices. If you are unable to get out of the tub unaided, do not bathe without someone on call to help in an emergency.

Quick start guide

This guide should be read in conjunction with your bath lift's full operating instructions, which start on page 4.

1. Charge the battery by sliding it into the tracks on the charging cradle (**fig 1**) and plugging it into a power socket/outlet.

- When the light is constant red, it is charging.
- When the light is constant green, it is ready to use.

2. Prepare the tub by removing:

- Non-slip mats, oil and cleaner residues.
- Obstructions such as handles (or fit side flap protectors), handrails and soap dishes.
- Overhead obstructions at the rear and over the tub such as cupboards, shelves.

3. Install the bath lift by:

- Placing it with the suction feet on the flat bottom of the tub and at the opposite end to the faucets;
- Checking for any obstructions likely to interfere with the bath lift's movement (move the bath lift forward if there are fixed overhead obstacles);
- Pressing firmly on the seat to secure the suction feet to the tub;

Then:

- Unfold the two side flaps to rest against the sides of the tub;
- Run water to any level under the actuator casing (**fig 2**).

4. Use the bath lift by:

- Sliding the charged battery fully into the tracks on the hand control (**fig 3**);
- Pressing the UP button.

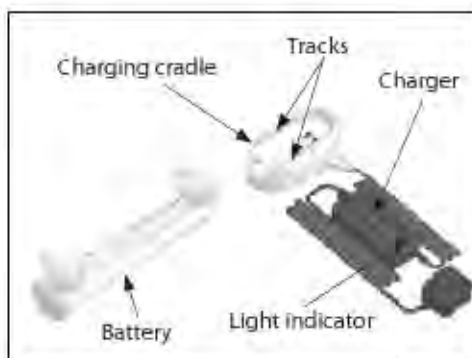


Figure 1

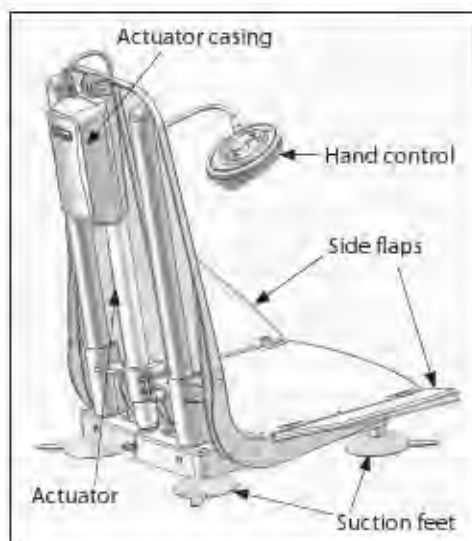


Figure 2

Only continue if the light on the hand control is constant or flashing green and if the battery has been charged within the last 7-10 days.

When the seat reaches the top of the tub:

- Release your finger from the UP button;
- Sit on the side flap and rotate onto the seat;
- Extend your feet out in front of you and keep your hands above the seat;
- Press the DOWN button on the hand control;
- Attach the hand control and battery to the edge of the tub or to a tiled wall.

For convenience during bathing, you may raise or lower the seat to any desired height by pressing the UP or DOWN button and releasing it to stop.

When you have finished bathing:

- Retrieve the battery and hand control;
- Press the UP button until the side flaps are level with the top of the tub;
- Release the UP button and move onto the side flap;
- Turn while lifting each leg out of the tub;
- Drain the tub.

5. When you are not using the bath lift:

- Disconnect the battery and place on charge;
- Store the lift at the bottom of the tub.

To remove the lift from the tub, place it in its lowest position and:

- Disconnect the battery from the hand control;
- Place the hand control on the seat;
- Fold in the side flaps;
- While holding the top of the backrest, pull the suction release tags on the rear suction feet then tilt the bath lift forward (**fig 4**);
- Release the tags on the front suction feet and lift the bath lift out of the tub;
- Wrap the hand control cable clockwise around the seat, positioning the cable coil under the actuator casing;
- Loop the remainder of the cable around one of the tubes(**fig 5**);
- Store the bath lift upright or on its side.

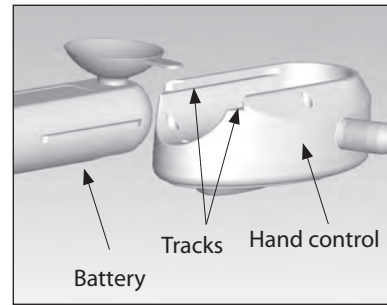


Figure 3

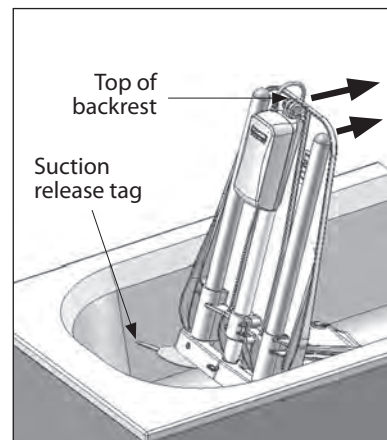


Figure 4

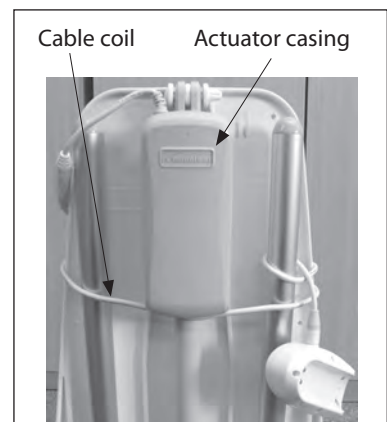


Figure 5

Diagram sheet

Figures

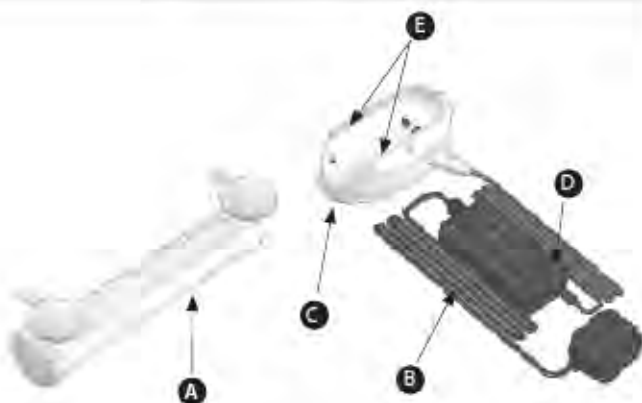
1

- A Hand control
- B Bath Lift
- C Side flap
- D Suction feet



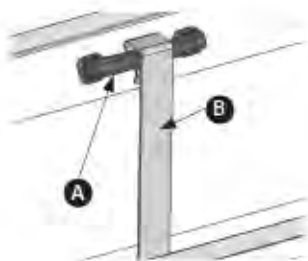
2

- A Battery
- B Charger
- C Charging cradle
- D Light indicator
- E Tracks



3

- A Integral tub handle
- B Side flap protector

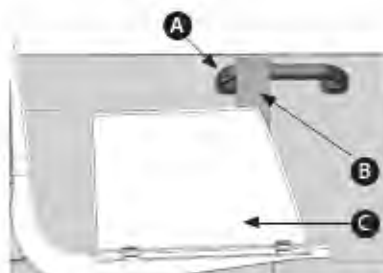
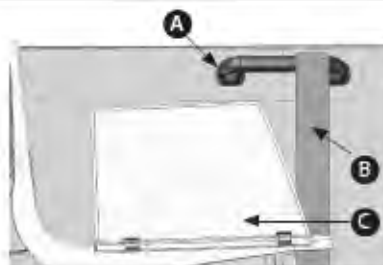


4

A Integral tub handle

B Side flap protector

C Side flap



5

A Side flap

B Actuator casing

C Hand control

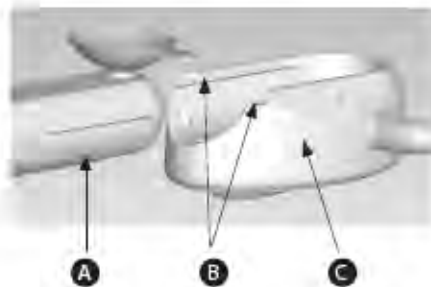


6

A Battery

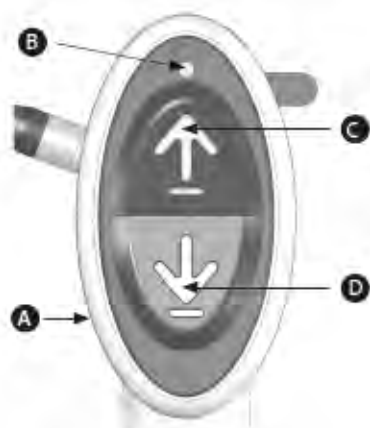
B Tracks

C Hand control



7

- A** Hand control
- B** Battery status indicator
- C** Up
- D** Down



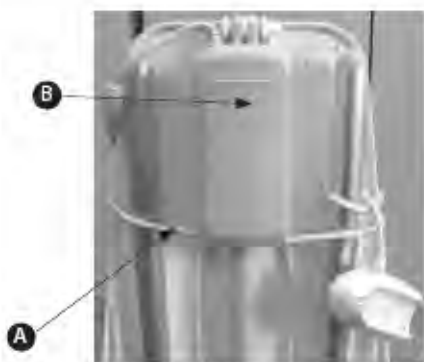
8

- A** Top of backrest
- B** Suction release tag



9

- A** Cable coil
- B** Actuator casing



Operating instructions

Contents

Unpacking the bath lift

1. Unpacking the bath lift	5
----------------------------------	---

Before you start

2. Charging the battery	5
3. Preparing the tub for installation	6
4. Installing the bath lift	7

Using the bath lift

5. Connecting the hand control	8
6. Using the bath lift	8

Removing and storing the bath lift

7. When the bath lift is not in use ...	10
8. Removing the bath lift from the tub	10
9. Cleaning	11

Warranties, maintenance & servicing

10. Maintenance and servicing	11
11. Warranty	12

Symbols

12. Symbols	12
-------------------	----

Technical data

13. Technical data	13
--------------------------	----

Troubleshooting

14. Troubleshooting	15
---------------------------	----

Parts list

15. Accessories	18
16. Parts list	20

Diagrams for operation and explanation of use are on the fold-out diagram sheet attached to the rear of this booklet

1. Unpacking the bath lift

Open the packaging and ensure the bath lift is not damaged and that all parts are included. If it has been damaged in transit or parts are missing, contact your supplier immediately.

Inside the box you will find:

- A bath lift, complete with two side flaps and hand control attached (**see fig 1**)
- A battery (**see fig 2**)
- A battery charger with charging cradle attached (**see fig 2**)

If your bath lift is supplied with optional soft covers, fit them at this stage (see cover fitting instructions).

Before installing or using the bath lift for the first time, ensure you charge the battery (see section 2, "Charging the battery" below).

2. Charging the battery

Before first operation of your bath lift or after long periods of non-use (typically 7-10 days), fully charge the battery as follows. A flat battery will take up to 2 hours to charge.

- Slide the battery into the tracks on the charging cradle until it clicks into place (**see fig 2**).
- Plug the charger into a socket/outlet outside the bathroom and switch on the electricity supply (if applicable).
- The light indicator on the charger box will initially flash in a quick sequence of red, green, red, green, before a constant red light appears to indicate charging is in progress (**see fig 2**).
- When the battery has been fully charged, the red light on the charger box turns to a constant green light, which indicates the battery is ready for use. We recommend charging the battery after each bath wherever possible and leaving it on charge until your next bath. The battery cannot be overcharged.
- When you are ready to use your fully charged battery (see paragraph iv), switch off the socket/outlet or remove the charger from the socket/outlet, **then ensure you disconnect the battery from the charging cradle.** (This prevents the battery discharging and will reset the charger ready for its next use.)

NOTE:

- Do not charge in the bathroom or any humid area. Always charge in a dry area, ensuring your hands are dry first.
- Do not cover the battery or charger while charging.
- Always charge on a hard surface.
- During charging, the temperature of the charger box may exceed 40°C/104°F but will gradually decrease once the constant green light on the box appears. Users with sensitive/damaged skin should take care and allow approximately 3 hours from start of charging before handling the box.
- Ensure that no metal objects touch the contacts on the battery, as this will damage the battery.
- Use only the Lumex® Splash charger supplied to charge the battery and for no other purpose.

3. Preparing the tub for installation

- i) Remove any non-slip mats from the tub.
- ii) Ensure the bottom of the tub is clean and smooth, with no oil or tub cleaner residues that will prevent the suction feet from sticking.
- iii) The suction feet may not be suitable in tubs that have been re-enamelled or that have rippled or textured surfaces.
- iv) It is essential that the side flaps (**see fig 1**) do not catch under any obstructions such as integral tub handles, handrails, soap dishes and faucets when rising. If your tub has integral handles and the side flaps are likely to catch, optional side flap protectors are available (see section 15, "Accessories"). These hook over integral tub handles (**see fig 3**) and help guide the side flaps smoothly over the handles.
- v) Ensure there are no overhead obstructions at the rear of the tub, where the bath lift will be positioned (e.g. wall-mounted shelves /cupboards or shower fixtures), as they may interfere with the upward movement of the seat. Where possible, remove such obstructions. Alternatively, the bath lift must be placed further forward in the tub to avoid the obstruction (see section 4, "Installing the bath lift").

4. Installing the bath lift

- i) Pick up the bath lift holding it as close as possible to your body.
- ii) Place the suction feet on the flat bottom of the tub and as far back as possible at the opposite end to the faucets. If there are any overhead obstructions at the back of the tub that cannot be removed and are likely to interfere with the upward movement of the bath lift, move the bath lift further forward in the tub until clear of the obstacle.
- iii) Now press firmly down on the seat, ensuring all four suction feet are attached to the tub surface.

NOTE:

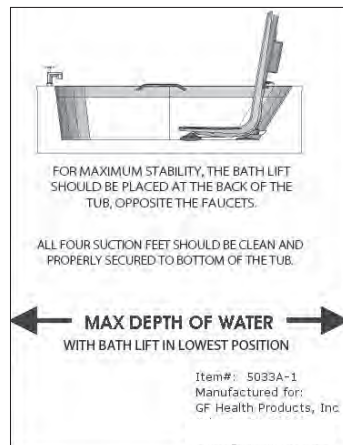
The suction feet may not stick to very curved or contoured surfaces.

- iv) Unfold the two side flaps so they rest against the sides of the tub. (Side flaps ease transfer on and off the bath lift and also prevent finger entrapment.) If side flap protectors are required and have been fitted to integral tub handles, ensure the two side flaps are resting substantially on them. If the side flaps are still likely to catch under handles, move the side flap protectors as far as possible along the handles until the side flaps are over them (**see fig 4**). If this still does not improve the flaps' position on the side flap protectors, move the bath lift slightly forward in the tub. Alternatively, a side flap protector extension kit is available (see section 15, "Accessories").
- v) Fill the tub with water to the required level ensuring the actuator casing (**see fig 5**) is not submerged in water. Check that the water temperature is not too hot before using the bath lift.

NOTE:

Water level will rise when your body enters the tub and displaces the water.

The depth of the water is not to exceed the depth as indicated by the label (see right) on the back and sides of the Lumex® Splash.



- vi) The battery can now be connected to the hand control on your bath lift (see section 5, "Connecting the hand control").

5. Connecting the hand control

NOTE:

If the battery has not been used before or has not been used for a long period (typically 7-10 days), ensure you place it on charge before using the bath lift.

- i) Slide the fully charged battery into the tracks on the hand control (**see fig 6**) until it clicks into place.
- ii) Always check the battery status indicator on the hand control before using the bath lift (**see fig 7**). Press the UP button and observe the following guidelines:
 - If GREEN light, proceed with your bath, provided the battery has been charged within the last 7-10 days.
 - If FLASHING GREEN light, proceed with your bath, provided the battery has been charged within the last 7-10 days. Then charge immediately afterwards (see section 2, "Charging the battery").
 - If RED light, do **NOT** use the bath lift. Charge **IMMEDIATELY** (see section 2, "Charging the battery").
 - If in any doubt, recharge the battery before use (see section 2, "Charging the battery").

NOTE:

The battery is for use solely with Lumex® Splash bath lifts and cannot be used to operate any other product.

6. Using the bath lift

NOTE:

Ensure all four suction feet are attached to the tub surface before each use.

- i) To raise the bath lift, press the UP button on the hand control (**see fig 7**). If the side flaps are caught on any obstruction, immediately lower the bath lift by pressing the DOWN button on the hand control. Pull each side flap free from the obstruction, then resume the lifting operation.
- ii) As the bath lift reaches the top of the tub, the side flap on the side you will be getting on will fold out to form a transfer platform.
- iii) When the bath lift's seat and side flap are level with and supported by the top of the tub, release your finger from the UP button and the bath lift will stop.
- iv) Sit on the side flap and move onto the seat, ensuring no part of your body can become trapped as you do so (e.g. underneath the side flaps). You may find it easier to transfer if you wet the seat and the side flaps first. Turn as you lift each leg over the side of the tub then sit back in the seat and make yourself comfortable.

- v) Before lowering the bath lift, extend your feet out in front of you and keep hands above the seat to avoid any risk of entrapment.
- vi) To lower yourself to the bottom of the tub, press the DOWN button on the hand control **(see fig 7)**. When the button is released, the bath lift will stop and remain at that position until the button is pressed again.
- vii) When you have reached the bottom of the tub, the bath lift will automatically stop.
- viii) While bathing, you may use the suction cups on the battery to attach the hand control and battery to the edge of the tub or to a tiled wall. **If the hand control and battery fall into the water, there is NO danger as both are waterproof. Ensure you wipe the battery dry before charging.**
- ix) When you have finished bathing, retrieve the battery and hand control from where you have stored it by pulling the tags on the suction cups. Press the UP button to raise the bath lift. When the button is released, the bath lift will stop and remain at that position until the button is pressed again.
- x) Once the side flaps are level with the top of the tub, remove your finger from the UP button and move sideways onto the side flap, ensuring once again that no part of the body can become trapped as you do so.
- xi) Turn while lifting each leg out of the tub.
- xii) Drain the tub.

NOTE:

- If the RED light appears on the hand control while lowering, the bath lift will not go down any further. If this happens, press the UP button and the bath lift will raise you to the top of the tub. Charge the battery **immediately**.
- In the event of an emergency, sliding the battery out of the hand control can instantly terminate all bath lift movement.
- When the bath lift reaches its maximum limit of travel (up or down), there will be a short delay before it will operate again.
- The bath lift is not designed for continuous operation. Allow at least 15 minutes between baths.
- Do NOT allow the actuator behind the backrest to be placed under a constant flow of water (e.g. running faucet) and ensure it is not totally submerged in water.

7. When the bath lift is not in use

- i) If you wish to clean the bath lift while it is in the tub (see section 9, "Cleaning"), we recommend doing so when it is at its highest position in the tub. This allows access for cleaning both the tub and the underside of the bath lift.
- ii) **If the bath lift is stored in the tub, ALWAYS ensure the seat is lowered to the bottom of the tub.**

NOTE:

If the RED light has appeared on the hand control preventing you from lowering the bath lift to the bottom of the tub for storage, recharge the battery immediately (see section 2, "Charging the battery") and lower the bath lift to the bottom of the tub as soon as possible thereafter.

- iii) Disconnect the battery and place on charge ready for your next bath (see section 2, "Charging the battery"). **Note:** If not charging after each bath, ensure **you leave the battery connected to the hand control**. Disconnect from the hand control only if the bath lift is being removed from the tub.

8. Removing the bath lift from the tub

- i) Ensure the bath lift is in its lowest position at the bottom of the tub.
- ii) Remove the battery from the hand control.
- iii) Place the hand control on the seat and fold the side flaps in.
- iv) Hold the top of the backrest and as you pull the release tags on each of the rear suction feet, tilt the bath lift forward (**see fig 8**).
- v) Continue to release the tags on the front suction feet and lift the complete bath lift out of the tub.
- vi) Stand the bath lift upright, then wrap the hand control cable clockwise around both the seat and tubes ensuring the cable coil is positioned underneath the actuator casing. Now loop the remainder of the cable around one of the tubes (**see fig 9**).
- vii) Store the bath lift upright or lay it on its side.

NOTE:

- When lifting the bath lift, always lift close to your body.
- To avoid accidental damage to the hand control while carrying or storing, ensure it is prevented from dangling freely.

9. Cleaning

Clean the bath lift as frequently as you clean your tub, using non-abrasive cleaners.* If used communally, we recommend disinfecting the bath lift after each use. SOLVENT-based cleaners, such as white spirit, should **NOT** be used.

- i) To disinfect the bath lift, use a soft brush or cloth and wipe down with a sterilizing solution or anti-bacterial cleaner. Rinse the product with clean water, then wipe and dry using a clean cloth.
- ii) Bath/medicinal oils and other solutions are easily removed with washing-up liquid. Do not allow oils or other additives to build up. They should be removed frequently otherwise, over the course of time, they may lead to degradation of the suction feet and/or discoloration of the bath lift.
- iii) The bath lift can be cleaned in an automated washing machine (to a maximum temperature of 73°C/163°F for 3 minutes), however the battery **MUST** be removed and washed by hand. The battery must not be subjected to high temperature cleaning.
- iv) Do not clean or rinse the actuator under a constant flow of water, e.g. running faucet, or totally submerge it in water.
- v) If your bath lift is fitted with soft covers, ensure you remove them on a regular basis to clean the bath lift surfaces.

It is also advisable to clean the tub surface under the suction feet from time to time.

* Cleaning agents should be used in accordance with their manufacturer's guidelines.

NOTE:

If the actuator is detached from the bath lift for cleaning, ensure the battery is always disconnected from the hand control.

10. Maintenance and servicing

Repairs and servicing must be entrusted to a Lumex® Splash authorized dealer or engineer.

The bath lift should be inspected annually by a Lumex® Splash authorized dealer or engineer, who will check that there are no loose fittings or any other evidence of mechanical damage.

Intended life - bath lift

The durability of the bath lift has been tested in accordance with BS EN 10535:2006 (Hoists for the transfer of disabled persons - requirements and test methods). If serviced and used in accordance with the operating instructions, the bath lift and all parts (excluding battery) will achieve 11,000 lifting cycles or 5 years' use, whichever is the soonest.

Intended life - battery

It is essential that the operating instructions with regards to battery use and charging is adhered to. The battery life expectancy is 500 charge cycles or 1 year's use, whichever is the soonest. We recommend the battery be replaced accordingly in order to obtain the best performance from your bath lift.

11. Warranty

This product is sold with the benefit that, in the event of any defect of manufacture or material appearing within 1 year of the date of receipt of the product, the defect will be rectified free of charge, provided that:

- i) Reasonable evidence is provided (e.g. purchase invoice or delivery note) that the product was purchased not more than 1 year prior to the date of claim; and
- ii) The defect is not attributable to accidental damage (either in transit or otherwise), fair wear and tear, willful damage, misuse or unauthorized repair.

The battery is also guaranteed for 1 year to power (when fully charged) one bathing cycle* at full load (20 stone/127kg/280lbs).



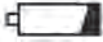


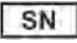

Consumers' statutory rights are not affected.



* The bathing cycle:

For one bath, it is assumed that the bath lift will be raised from the bottom to the height of the tub and then lowered into the water supporting a person of up to 20 stone/127kg/ 280 lbs. After bathing, the bath lift will raise the person to the height of the tub then the seat will be lowered to the bottom of the tub for storage.

12. Symbols

To comply with international standards for medical equipment, the following symbols are found on the bath lift's labels:

Symbol	Explanation
	Only direct current from a small battery is used to power your bath lift. There is NO connection to electricity from an outlet when in use, so there is no risk of electric shock.
	The bath lift is categorized as type B medical equipment and meets international standards for electrical safety.
IP66	The bath lift is sealed to the international standards against the effects of water spray.
IP67	The battery is sealed to the international standards against the effects of immersion in water to a depth of 1 metre/3.28 ft ³ .
IP68	The hand control is protected against long periods of immersion in water under pressure.
	This symbol is found on the hand control and means the light represents the battery status.
	PLEASE READ THE INSTRUCTIONS BEFORE INSTALLATION OR USE.
	Do not bin/dispose.
	Serial number.
	Re-order number.

Symbol	Explanation
	Maximum load - lifting capacity (person).
	Caution! Surface hot to touch.

13. Technical data

The bath lift seat and base is made of glass-filled polypropylene. The base frame tubes are made of aluminum. The hand control and battery are made of ABS. The hand control button cover and suction feet are made of thermoplastic elastomer.

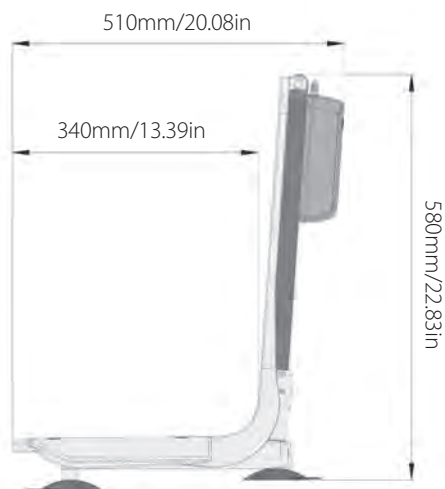
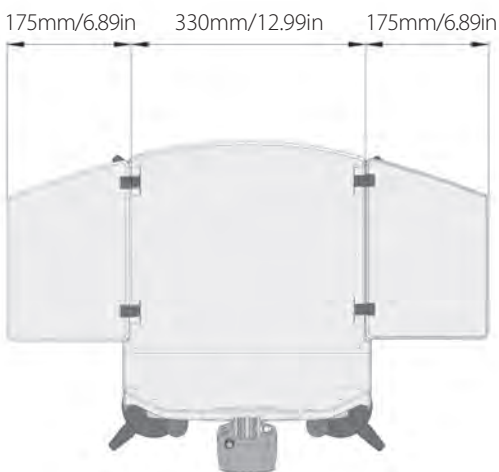
The bath lift is in the official category of “internally powered equipment” and is not suitable for use in the presence of flammable anaesthetic mixture with air or nitrous oxide.

The equipment is tested in accordance with:

- BS EN 10535: 2006
- BS EN 60601-1: 2006
- The European Council Directive 93/42/EEC relating to Medical Devices

The bath lift complies with the WEEE directive.

DISPOSAL: The plastic, metal parts, packaging materials and suction feet are recyclable but the Nickel Metal Hydride (NiMH) battery, should be disposed of only by returning it to your supplier, the manufacturer or an authorized disposal point.



Overall seat width - 350mm/13.78in.

Bath Lift	
Lifting capacity (person)	127kg/20 stone/280lbs
Net weight (excluding battery)	6.5kg/14.33lbs
Seat height UP	460mm/18.11in
Seat height DOWN (loaded)	70mm/2.76in
Power input	14.4V dc nominal 7A max
Duty cycle	Not more than one bath per 15 minutes
Degree of protection	IP66
Hand Control (Battery)	
Input	14.4V dc nominal 1.0A
Output	14.4V dc nominal 7A max
Degree of protection	IP68
Battery	IP67
Battery Charger	
Input	100-240V ac 50-60Hz 1.0A
Output	14.4V dc nominal 1.0A

Operating and charging

Temperatures	
Max	40°C (104°F)
Min	0°C (32°F)

Shipping and storage

Weight (packaged)	9kg/19.84lbs
Shipping volume	0.12m ³ /4.24ft ³
Temperatures	
Max	40°C (104°F)
Min	-10°C (14°F)
Humidity	
Max	90% RH
Min	10% RH
Pressure	
Max	125kPa (18.4psi)
Min	73kPa (10.7psi)

This product is suitable for transport in pressurized aircraft holds.

14. Troubleshooting

Symptom	Possible Cause	Solution	Section
Bath lift does not move. No sound from the motor.	• Battery is flat.	• Charge battery.	Section 2
	• Battery is not connected to hand control.	• Insert battery correctly into both tracks on hand control cradle and slide all the way to the end until it clicks.	Section 5
	• Not pressing correct area on hand control buttons.	• Press arrowhead on either UP or DOWN buttons. Continue to press.	Section 5
	• Faulty electronics in hand control.	• Contact supplier or authorized service/repair center.	n/a
	• Battery fault.	• Contact supplier or authorized service/repair center. Replace battery.	n/a
	• Actuator fault.	• Contact supplier or authorized service/repair center.	n/a
Red light on hand control is on and bath lift only moves up.	• Battery is flat or has not been fully charged and Stop Descent™ has been activated to prevent the bath lift lowering.	• Charge battery immediately.	Section 2
Red light on hand control is on but bath lift does not move.	• Battery is flat and has not been charged for long period (typically 7-10 days).	<ul style="list-style-type: none"> • Charge battery immediately. • Charge battery before use if bath lift has not been used for long periods (typically 7-10 days). • Do NOT start bath with RED light on hand control. Charge immediately. • Ensure battery is placed on charge as soon as you finish your bath if FLASHING GREEN light appears on hand control. • When bath lift is not in use, leave battery connected to hand control. Disconnect only for charging or when moving bath lift. • It is recommended the battery be charged after each bath, wherever possible. 	Section 2/ Section 5 & Section 7
	• Battery fault.	• Contact supplier or authorized service/repair center.	n/a

Symptom	Possible Cause	Solution	Section
Bath lift only moves intermittently.	• Battery is not fully charged.	• Charge battery.	Section 2
	• Excessive user load.	• Do not use bath lift if you weigh over 20st/127kg/280lbs.	Section 13
	• Bath lift has encountered obstruction during lifting, e.g. integral tub handles, soap dish.	• Lower bath lift, pull flaps free from obstruction, then resume lifting operation. • Contact your supplier for optional side flap protectors and fit to any integral tub handles.	Section 6 & Section 15
Battery does not appear to be charged.	• Power to charger is not switched on or charger is not connected to power socket/outlet.	• Ensure charger plug is connected to power socket/outlet and switch on (if applicable). Check for light indicator on charger box.	Section 2
	• Battery is not connected correctly to charging cradle.	• Insert battery correctly into both tracks on charging cradle and slide all the way to the end until it clicks.	Section 2
	• Battery has discharged before use.	• Ensure battery is disconnected from charging cradle when the outlet is switched off or when charger is removed from socket/outlet. • Charge battery after long periods of non-use (typically 7-10 days).	Section 2
	• Interruption to power supply or faulty socket/outlet.	• Check for charger indicator lights at alternative power socket/outlet. • Check if other electrical appliances are working.	n/a
	• Charger fault.	• Contact supplier or authorized service/repair center.	n/a
	• Battery fault.	• Contact supplier or authorized service/repair center.	n/a
	Charger is plugged into power socket/outlet but charger indicator lights do not appear.	• Battery is not connected correctly to charging cradle.	• Insert battery correctly into both tracks on charging cradle and slide all the way to the end until it clicks.
• Charger fault.		• Contact supplier or authorized service/repair center.	n/a

Symptom	Possible Cause	Solution	Section
No lights appear on hand control when buttons are pressed.	• Battery is not connected correctly to hand control.	• Insert battery correctly into both tracks on hand control and slide all the way to the end until it clicks.	Section 5
	• Faulty electronics in hand control.	• Contact supplier or authorized service/repair center.	n/a
Suction feet will not stick to the tub surface.	• Front suction feet are located over rippled surfaces.	• Do not use bath lift.	Section 3
	• Suction feet are located on very curved surfaces.	• Position suction feet on flatter surface of tub.	Section 4
	• Tub surface is dirty/dusty or enamel is worn.	• Clean tub surface and underneath suction feet before installing bath lift.	Section 3
	• Suction feet are old or damaged.	• Contact supplier or authorized service/repair center for replacements.	n/a
Bath lift tips backwards in highest position.	• Bath lift not stored properly after bath.	• Always lower bath lift to bottom of tub after use. (Check suction feet stick to tub before each use.)	Section 7
	• Front suction feet are located over rippled tub surface.	• DO NOT USE bath lift. Rippled surfaces prevent secure suction.	Section 3
	• Suction feet are located on very curved surfaces.	• Position suction feet on flatter surface of tub. DO NOT USE if front suction feet do not stick to contoured tub surface.	Section 4
	• Suction feet not sticking to dirty/dusty tub surface or worn enamel.	• Clean tub surface and underneath suction feet before pressing all 4 suction feet firmly onto tub.	Section 3
	• Old or damaged suction feet will not stick to tub surface.	• Contact supplier or authorized service/repair center for replacements.	n/a

15. Accessories

The bath lift can be supplied with a range of optional accessories:

Accessory	Part No.
Soft cover set (back and seat)	5033A-BB3103
Provides even greater comfort.	



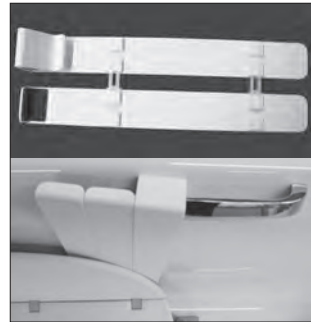
Accessory	Part No.
Side flap protector	5033A-AB283
Side flap protectors are available should your bath lift not sit far back enough in the tub to avoid integral handles. Supplied individually, the protector hooks onto a tub handle to prevent side flap from catching when raising the bath lift. Internal hook section is uniquely coated with slip-resistant rubber to limit movement along handle.	



Accessory	Part No.
Side flap protector extension kit	5033A-AB284
Comprises 1 side flap protector and 2 clips. By attaching one or more side flap protectors together, a wider side flap protector can be formed over an integral tub handle. This limits the possibility of movement along the handle or incorrect positioning. Use several kits to attach as many side flap protectors as required to fit the handle length.	



Accessory	Part No.
Side flap protector extension kit (non-hooking)	5033A-AB287
<p>Comprises 1 non-hooking side flap protector and 2 clips. Where a standard side flap protector cannot be moved further along an integral tub handle to enable the side flap to rest substantially over it, this kit enables an additional side flap protector to be attached beyond the end of the tub handle. This provides a substantial surface area for the side flap to glide smoothly over the tub handle. Use several kits to attach as many side flap protectors as required beyond the tub handle.</p>	



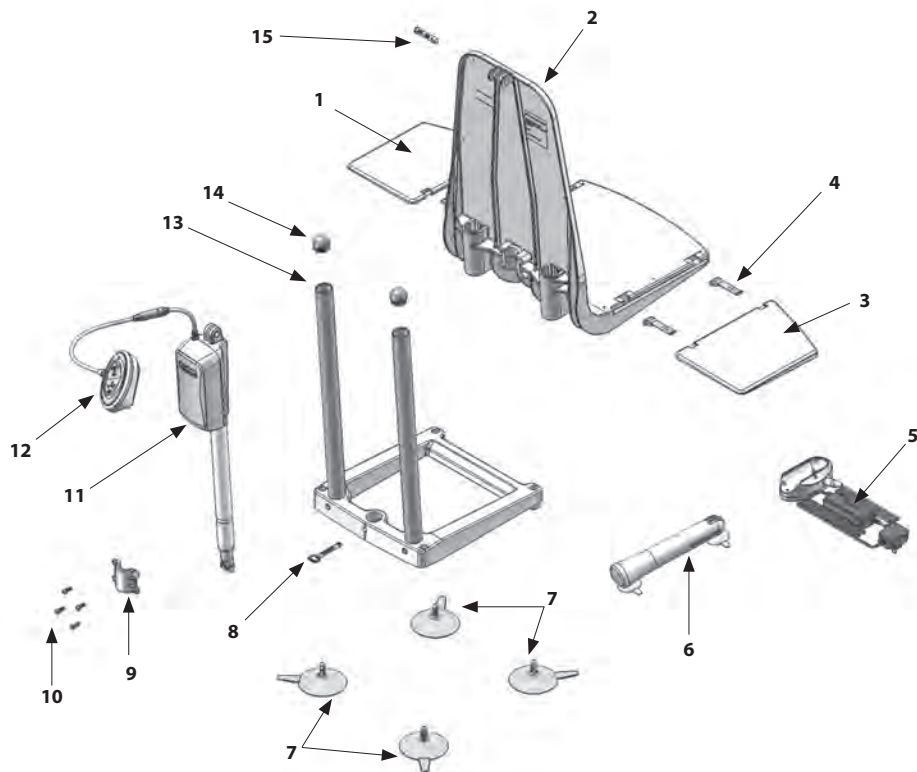
Accessory	Part No.
Extended suction feet set	5033A-BB3100
<p>Raises the bath lift by 25mm/1inch to enable the seat and side flap to reach level with the height of deep tubs.</p>	



16. Parts List

Item No.	Description	Part no.
1	Left Side Flap	5033A-BB3002L
2	Seat	5033A-BB3001
3	Right Side Flap	5033A-BB3002R
4	Side Flap Hinge with Screw	5033A-A167
5	Smart Charger NiMH (US)	5033A-CU-3001
6	Battery	5033A-A230
7	Suction Foot	5033A-BB3504
8	Actuator Locking Pin	5033A-BB3107
9	Actuator Clamp	5033A-BB3003
10	M6x12mm (0.47in) Long Socket Button Screw (x4)	5033A-TL539

Item No.	Description	Part no.
11	Actuator	5033A-BB3004
12	Hand Control NiMH	5033A-AB105
13	Complete Base Frame (No Suction Feet)	5033A-BB3007
14	Base Frame Tube End Cap	5033A-BB3009
15	Actuator Snap Pin	5033A-AB003
	Suction Foot Removal Tool (not shown)	5033A-BB3901
	Suction Feet (Set of 4) with Removal Tool (not shown)	5033A-BB3504S



Mountway Limited reserves the right to alter specifications to products or packaging at any time.



A series of 28 horizontal dotted lines spanning the width of the page, intended for writing.

REF ML3BB1 5033A
01: 10/11

© **Mountway Limited 2011**

Manufactured for: GF Health Products, Inc.

Splash™ is a trademark of Mountway Ltd.
Lumex® is a registered trademark of GF Health Products, Inc.

