

# WE'RE THE COMPANY THAT BRINGS YOU KEVIN...



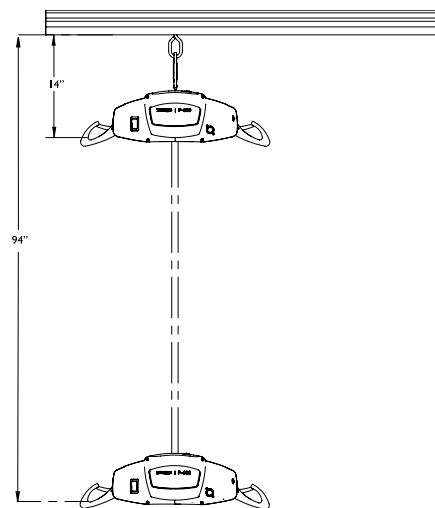
## AND KEVIN BRINGS YOU THE PRISM MEDICAL P-600

The P-600 is specifically designed for environments where the demand for higher weight capacities is a reality. With the use of the optional cart, this lift can be moved from room to room lowering the initial investment for facilities. The innovative design allows the client to be lifted comfortably using the folding carry bar. The P-600 portable ceiling lift has a weight capacity of 600 lbs making it suitable for the institutional environment.



# PRISM MEDICAL P-600

## PORTABLE



## WE'RE THE COMPANY THAT BRINGS YOU PORTABLE FLEXIBILITY.

The P-600 solves many of the problems that make patient transfer complex or difficult. It's lightweight, portable, and designed to provide complete control for the caregiver. In addition, it offers a wide range of safety mechanisms to assure confidence throughout the transfer.

### PRODUCT HIGHLIGHTS

- Integral full-width carry bar with unique contoured shape
- On-board controls
- The P-600 is charged with a standard plug and socket
- Safety mechanisms include an overspeed governor, built-in safety limits, slack strap sensor and emergency lowering
- Patient safety is assured with positive locking latches, securing the sling each and every time
- The P-600 incorporates an articulating carry bar to allow it to sit safely and upright on a cart for easy transport

### TECHNICAL SPECIFICATIONS

- Charger Output: 29.5 VDC, 1.3 Amps
- Batteries: 24 VDC (2 x 12 VDC), 5.0 AH
- Lift Case: Flame Retardant ABS
- Hand Control: Pneumatic - Piston Displacement
- Lifting Range: Up to 80" (1.96m)
- Unit Weight: 25 lbs (11.428 kgs)
- Maximum Load: 600 lbs (274.28 kgs)



For Your Convenience

