



## Aqua Bath Lift MODEL #BLA-8100

### Thank you for Choosing Columbia!

Your Aqua Bath Lift has been built to the highest standards of quality to ensure years of superior service. Please take the time to read this informative instruction and pay particular attention to the safety instructions provided. Thank you again for choosing Columbia!

### Important Safety Instructions

When using your bath lift, always take basic safety precautions to reduce the risk of injury to persons. These include:

1. Read and understand all instructions.
2. Determine, with a physician or therapist, the suitability of this product for the intended user.
3. Check regularly that all tubing, bolts, buckles and other parts are tight at all times.
4. A caregiver should NEVER leave the user unattended.

### Save These Instructions

### About the Aqua Bath Lift

The **Aqua Bath Lift** (see Figure 1) is a fully portable, easy to store and lightweight bath lift, which makes it ideal for use in the home care or nursing home environment.

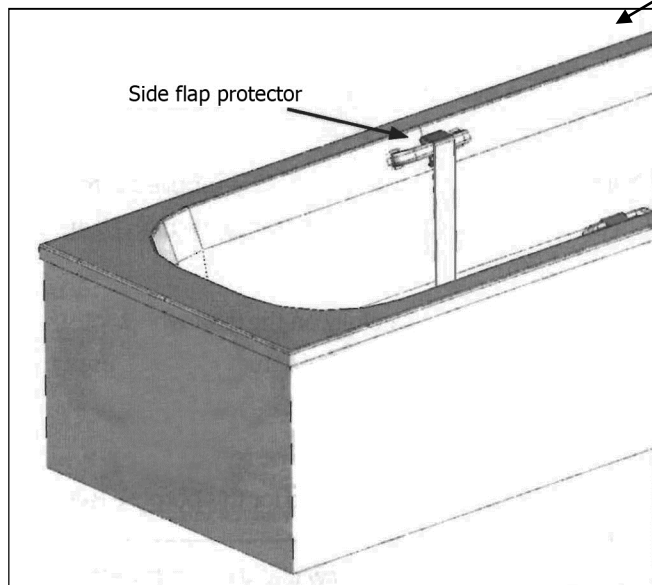
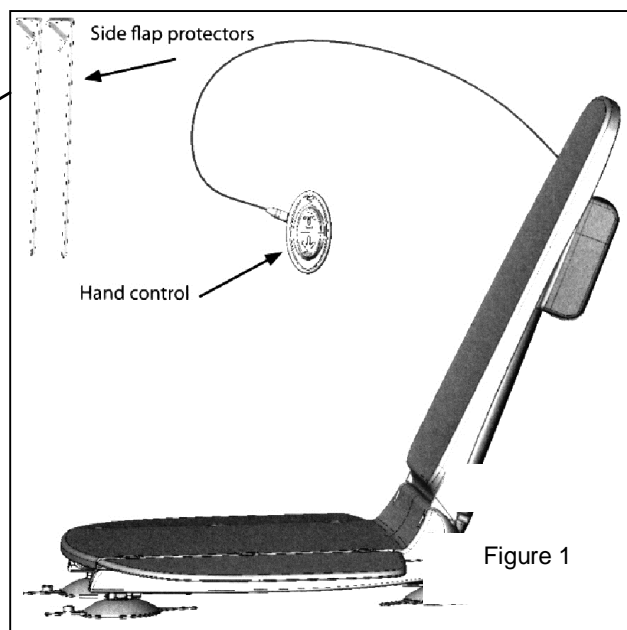


Figure 1A

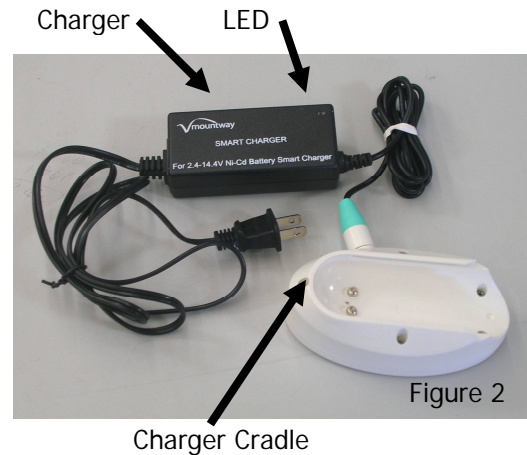


**Battery Pack and Charger**

The battery pack contains one 14.4V battery and is housed in a tough ABS case. The battery pack is designed to slot easily into the charger cradle and handset.

**Handset**

The ergonomically designed handset is tough and lightweight (see Figure 6 on page 5). Its raised buttons enable easy operation of the Aqua Bath Lift. The battery charge indicator tells the user when the battery is getting low.



**Installation**

**Preparing the Aqua Bath Lift for Use**

Remove the system from the packaging. You should have the following items:

- Base assembly
- Seat assembly (including the column, folded seat and side flap)
- Handset
- Battery pack
- Battery charger/charger cradle
- Side flap protector

Charge the battery pack at least 10 hours before using it for the first time (Refer to “Charging Guidelines with Smart Charger” on page 3).

The Aqua Bath Lift is now ready to install into the bath tub.

**Positioning the Aqua Bath Lift in the Bath Tub**

Position the Aqua Bath Lift as follows:

1. Ensure that the surface of the bath tub is clean and free of non-slip mats.
2. Place the base assembly (see Figure 3) into the center of the bathtub and far enough towards the rear of the tub to ensure there is clearance to recline the backrest (see Figure 4). The backrest should not contact tub or wall while reclined. Make sure the suction cups grip the bath tub.

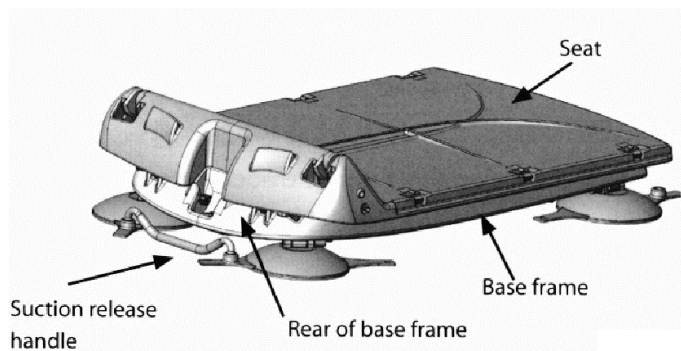


Figure 3

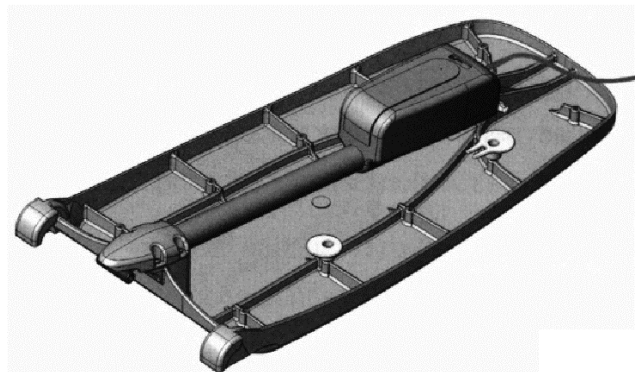


Figure 4

**WARNING**

**The Aqua Bath Lift is not supplied in a sterile condition. If in any doubt, disinfect the unit before using it for the first time. Ensure that the correct lifting practices are observed when installing or removing the. Do not overextend or strain. Ask for assistance if required. When not assembled, always lay the parts down flat on the floor.**

3. Insert the 2 “hinges” at the bottom of the backrest into the T-shaped slots at the rear of the base. Rotate the backrest towards the rear of the tub until it stops. NOTE: The backrest must be in the fully reclined position in order to raise the base.

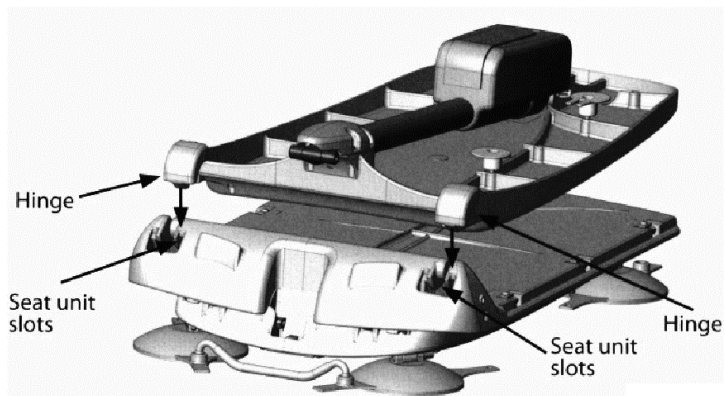


Figure 5

4. Fully extend the side flaps so they rest against the edges of the tub.
5. Connect the battery to the handset.
6. **Safety Precaution.** Check that the Aqua Bath Lift will not hit any obstacles during operation:
  - Using the handset fully raise the Aqua Bath Lift to ensure it clears any obstacles such as soap trays, etc.
  - Fully lower the unit making sure that the backrest remains clear of the tub edge or wall.
7. After completing the Safety Precaution, the Aqua Bath Lift can now be used.

**Charging Guidelines with Smart Charger**

Please ensure you read these guidelines.

**Note: Prior to first operation of your bath lift or after long periods of non-use (typically 7 – 10 days), ensure the battery stick is placed on charge until the green light appears on the charger. This may take up to 2 hours.**

**When to recharge**

Always check the battery light on the hand control before use (see fig. 1).

- If GREEN, proceed with your bath.
- If FLASHING GREEN, proceed with your bath. Recharge immediately afterwards.
- If RED, do not use the bath lift. Recharge IMMEDIATELY.
- The battery stick can also be recharged after each bath.

### **Low Battery Warning**

A low battery is indicated when the indicator light on the handset flashes green. This advises the user there is enough charge in the battery for one complete cycle (down/up). The battery must be charged after completing the cycle. If the indicator light is red, there is only enough charge to raise the Aqua Bath Lift. As a safety feature, the Aqua Bath Lift cannot be lowered when the indicator light is red. The battery must be fully charged whenever the indicator light is red.

### **Charging the battery**

1. Slide the battery stick into the track on the charger cradle until it clicks into place (see fig. 2 on page 2).
2. Plug the charger into the mains electricity supply outside the bathroom and switch on.

The LED in the charger box will initially flash in a quick sequence of the red, green, red, green, before a constant red light appears to indicate charging is in progress. When the battery has been fully recharged, the red light turns green.

The green light indicates the battery is now ready for use. The battery can also remain continuously on trickle charge until the next bath.

A flat battery will take approximately 2 hours to recharge.

It is also possible to place the battery stick on charge after each bath without the risk of overcharging.

### **KEY REMINDERS TO EXTEND THE BATTERY LIFE:**

- Charge the battery **ONLY** when the red light appears on the hand control.
- Charge the battery for no more than 10 hours.

### **CARE OF BATTERY**

- If the Aqua Bath Lift is to be stored for a long period of time, remove the battery.
- During a long period of inactivity, charge the battery pack monthly for maximum efficiency.
- Do not drop Aqua Bath Lift components onto the floor.

### **NOTES:**

- The battery stick should remain connected to the hand control whenever it is not being recharged. It should only be disconnected when your bath lift is being removed from the tub or when charging is required.
- Ensure the battery stick is disconnected from the charger cradle once the mains power is switched off or if the charger plug is removed from the mains socket. This will prevent the battery discharging.
- Do not cover the battery stick while charging.

### **Care of the Handset and Battery**

**WARNING**  
**Never dispose of the battery pack in fire as this may cause it to explode. If in doubt, contact Columbia Medical.**

The handset and battery are designed to be water resistant. However, do not intentionally submerge the handset and battery in water.

## **Operating Instructions**

These instructions cover day to day operation of the system. Other operations, such as maintenance and repair, should only be carried out by suitably qualified personnel.

### **Operating the Aqua Bath Lift**

Before using the **Aqua Bath Lift**, make sure it has been installed correctly.

1. Ensure the side flaps will not catch on any grab rails, soap trays, etc. attached to the bath tub.
  - If the side flap should catch on an object, immediately lower Aqua Bath Lift by pressing the DOWN button.
  - If appropriate, install side flap protectors (see Figure 1A on page 1)
2. Ensure that the handset cable is free and not trapped before operating.
3. Press the UP button on the handset (see Figure 6 on right) to raise the seat to the required height for side transfer. Ensure the side flap is resting on the side of the bath tub.
4. Fill the bath tub to the desired depth and temperature. Side transfer the user onto the Aqua Bath Lift seat and carefully swing the user's legs into the bath tub.
5. Press the DOWN button on the handset to lower the seat into the bath tub. Continue to press the down button until a comfortable position is achieved.
6. After bathing, press the UP button on the handset to bring the seat to an upright position. Continue to press the UP button on the handset to lift the seat to the required height for side transfer. Ensure the side flap is resting on the side of the bath tub before transfer.
7. Carefully swing legs out of the bath tub and side transfer out of the bath tub.

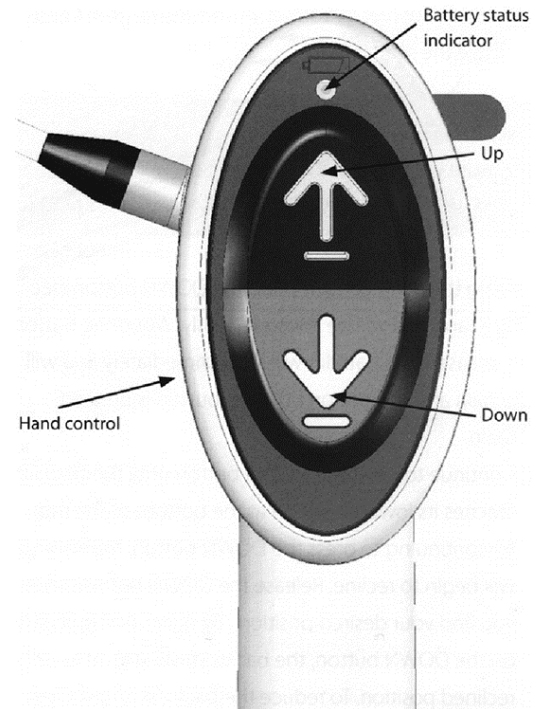


Figure 6

## **Removing the Aqua Bath Lift from the Bath Tub**

### CAUTION

- **Observe correct lifting practices, i.e., do not overextend yourself**
- **Do not lift any part of the Aqua Bath Lift with wet hands**

### **Remove the Aqua Bath Lift from the bath tub as follows:**

1. Empty all water from the bath tub.
2. Ensure the seat is in its lowest position.
3. Rinse any residue of soap or bathing additives from the Aqua Bath Lift.
4. Fold the side flaps onto the seat.
5. Fold the backrest forward.
6. Wind the handset cable around the cable winders located behind the backrest. Place the cable through the retainer clip on the top cable winder to prevent the cable from unwinding and to support the handset.
7. Lift the backrest off the seat base to remove. Place flat on a surface away from the immediate area.
8. Lift on the suction cup release handle to release the rear suction cups on the base. While lifting, rotate the base forward until the front suction cups release. The base may now be removed from the tub.

## **Care of the Aqua Bath Lift**

### **Cleaning**

- Clean the Aqua Bath Lift with a domestic non-abrasive cleaner (follow the manufacturer's instructions). Test a small area for the suitability of the cleaning/disinfecting agents. Disinfectant may be used to clean all surfaces.
- Wipe down the battery pack with a damp cloth, and allow to dry before use.

### **General Maintenance**

- Ensure that the handset and charger cables are free from damage.
- Check the condition of the suction cups and ensure they are free from damage which could affect their operation.
- Dust the suction cups with talcum powder when not in use.

### **Storage and Handling**

- If the Aqua Bath Lift is to be stored for a long period of time, remove the battery.
- During a long period of inactivity, charge the battery pack monthly for maximum efficiency.
- Do not drop Aqua Bath Lift components onto the floor.

### **Maintenance**

We recommend that the Aqua Bath Lift be thoroughly examined every 6 months and serviced every 12 months by a qualified person.

## Troubleshooting

If in any doubt, please contact Columbia Medical Customer Service at 310-454-6612.

Symptom	Possible Cause	Remedy
No power	Battery Low	Charge battery
Aqua Bath Lift operates intermittently	Battery Low	Charge battery
	Lifting load too high	Reduce load
	Handset not fully plugged in	Plug handset in
	Fault in motor	Contact Customer Service at Columbia Medical
	Fault in handset	
	Fault in battery	
No movement from Aqua Bath Lift	Handset not fully plugged in	Plug in handset
	Battery low	Charge battery
	Fault in drive unit or handset	Contact Columbia Medical
	Aqua Bath Lift has been immersed in water	
Batteries will not charge	Power not connected to charger	Turn power to charger "ON"
	Fault on battery charger	Check indicator lights on charger.. If there is no light illuminated, contact Columbia Medical
	Charger connector not pushed fully into battery	Push battery into battery charger until it clicks.
	Fault in battery pack	Contact Columbia Medical

## Technical Data

### Overall Dimensions – Bath Lift

Seat Size:	14.2" x 18.7" (361 mm x 475 mm)
Seat Height Range:	2.9" to 17.3" (74-439 mm)
Assembled (Side Flaps In):	30.8"L x 15"W x 26.6"H (782 mm x 381 mm x 676 mm)
Folded:	28.0"L x 15"W x 7.8"H (711 mm x 381 mm x 198 mm)
Handset/Battery Dimensions:	9.9"L x 2.6"W x 2.9"H (251 mm x 66 mm x 74 mm)
Assembled:	21.2 lb (9.6 kg)
Seat & Base:	13.2 lb (6.0 kg)
Back:	7.9 lb (3.6 kg)
Handset:	0.4 lb (0.2 kg)
Rated Load	300 lb (136 kg)

### Battery Specifications

Battery weight:	0.9 lb (0.4 kg)
Output:	14.4V dc nominal 7A max
Input:	14.4V dc nominal 1.0A
Degree of protection:	IP68
Battery stick:	IP67
Battery charger input:	100-240V ac 50-60Hz 1.0A
Battery charger output:	14.4V dc nominal 1.0A
Warranty:	one-year on battery charger

**Warranty and Service**

All Columbia manufactured products come with our one year manufacturer's warranty. This warranty dictates that our products will arrive free of defects in material and workmanship. We will repair or replace any part or entire unit at our option for a period of one year from the date of delivery to the original purchaser.

This warranty does not include cost of inconvenience, returning, property damage, misuse, abuse, accident, or similar incidents. The warranty will not apply if the product has been tampered with or repaired by unauthorized individuals. Products returned for warranty replacement or repair must be shipped prepaid. Custom orders are non-refundable and non-returnable.

This warranty only applies to Columbia manufactured products. Items sold through Columbia, but manufactured by other companies may have different manufacturer's warranties.

Please return the Columbia Medical warranty card to ensure warranty activation. These contain full details of warranty terms and do not limit the statutory right of the consumer.

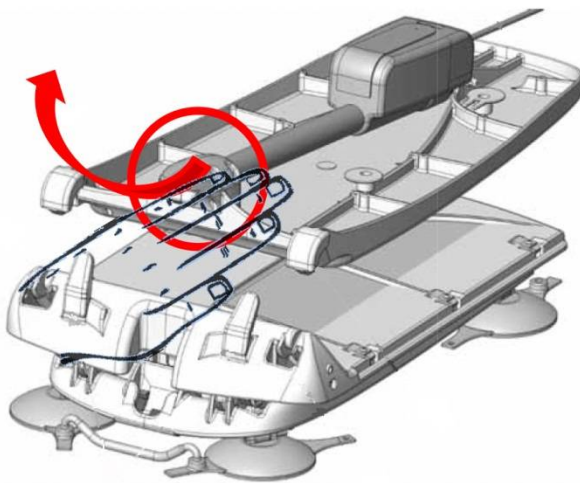
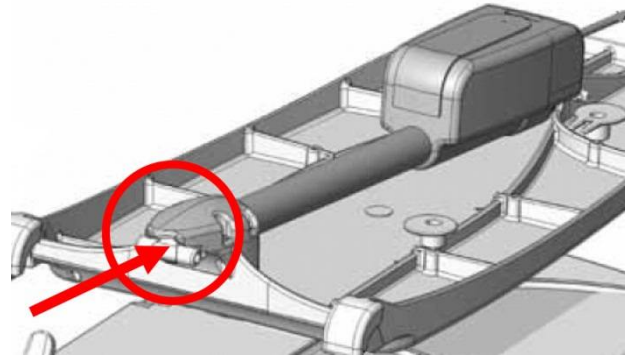
For service, maintenance and any questions regarding this, or any other Columbia Medical products, please contact:



## **Please Note:**

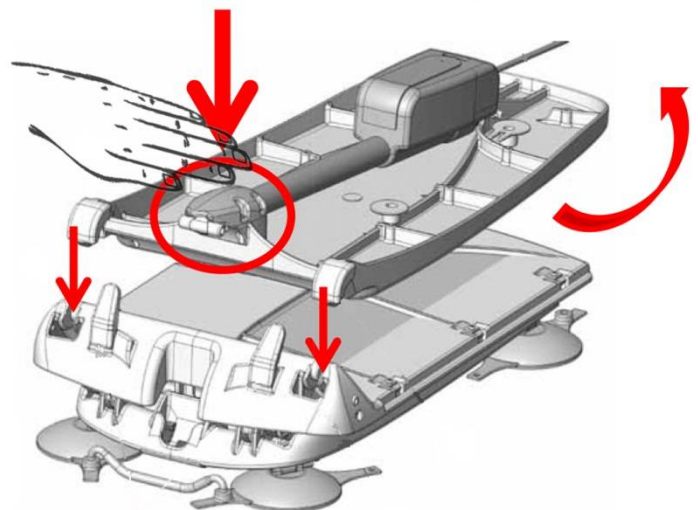
When separating your Aqua Bath Lift into two pieces please pay special attention to the information below. Failure to do this could cause damage to your bath lift.

**Always fully retract the actuator (arrowed) before doing any kind of assembly or disassembly.**



**Lift from this part only to remove the backrest from the base of the Aqua Bath Lift.**

When connecting the backrest to the seat base, please ensure that the grooves and pegs are correctly aligned and completely flat. You must push down and hold the bottom part of the motor while lifting the backrest into its upright position.



## **Please Note:**

**When bathing using your Aqua Bath Lift please do not press all of your weight on to the backrest while washing.**

**Once the bath lift is in its fully reclined position at the bottom of the tub, please relax and enjoy your bath.**

**Do not elevate your body and push against the backrest while washing by putting undue pressure onto the backrest as this could cause damage to the bath lift.**

**Maximum Weight Capacity: 300 lb**

