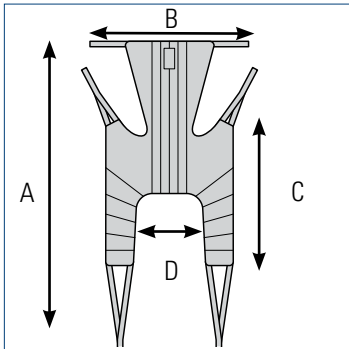


# INVACARE® SLINGS



Invacare offers a complete line of slings to meet the dynamic needs in both the long-term care and homecare settings. **Invacare® Reliant™ Series Slings** are an industry standard, and deliver the ease of use, comfort and security that is standard in all Invacare Products. The **Invacare® Premier Series Slings** offer additional fabric and style options to meet a wider array of needs, as well as value-adding features for the caregiver and patient alike.

The **Invacare® Premier Series Slings** balance solutions for any transfer. Invacare says this with confidence because these slings were developed in collaboration with Occupational and Physical therapists. Invacare Premier slings are available in a wide variety of styles and can be adjusted to ensure a comfortable and secure fit for the patient. Clearly labeled slings and easy attachment points make it simple for the caregiver to quickly attach the sling and lift the patient.

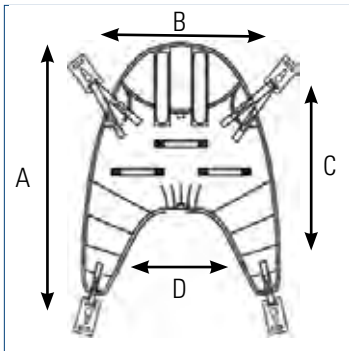


**Universal High Sling Plus**

Supports the whole body and head in transfers to/from seated or lying position. Offers a comfortable recline for those with limited head, trunk or hip control. Allows arms to hang outside the sling.

Compatible with the following lifts  
 Invacare® Jasmine™ Lift  
 Invacare® Reliant™ 450, 600 Lift

SIZE	A	B	C	D	Weight	Model #/Material
					Capacity	Polyester Fabric
S	54.4"	33.1"	34.7"	13.4"	500 lb.	2485960
M	59.5"	37.4"	36.6"	17.7"	500 lb.	2485961
L	62.3"	43.3"	38.2"	22.1"	500 lb.	2485962
XL	62.6"	46.9"	38.2"	24.8"	550 lb.	2485963

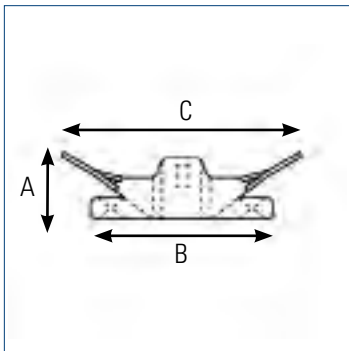


**Cradle Sling**

Designed for use with the Jasmine lift. Comfort and support of the whole body and head are crucial for those with head, trunk and hip concerns. 4-point attachment clips onto the cradle bar for best positioning in horizontal-to-seated or seated-to-seated transfers. Head support is optional by removing rigidizers.

Compatible with the following lift  
 Invacare® Jasmine™ Lift with cradle accessory

SIZE	A	B	C	D	Weight	Model #/Material
					Capacity	Polyester Fabric
S	42.6"	33.1"	28.8"	15.0"	500 lb.	3483777
M	55.9"	39.4"	32.7"	15.8"	500 lb.	3483778
L	61.1"	43.3"	36.2"	20.1"	500 lb.	3483779
XL	66.2"	45.3"			500 lb.	3485949

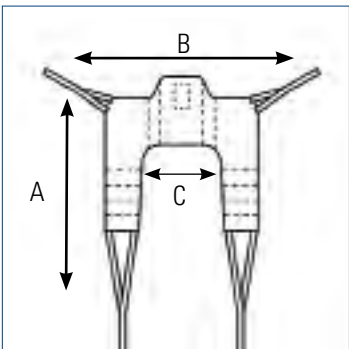


**Stand Assist Sling**

Designed for use with the Roze and Reliant 350 and 440 lifts, the Stand Assist Sling offers a comfortable and safe transfer for those who have some weight bearing ability, but cannot stand independently. The sling is well-padded and features non-slip material on the side that touches the patient to assure a comfortable transfer position.

Compatible with the following lift  
 Invacare® Roze™ Lift  
 Invacare® Reliant™ 350, 450 Lift

SIZE	A	B	C	Weight	Model #/Material
				Capacity	Polyester Fabric
S	10.2"	33.1"	34.7"	450 lb.	2484685
M	13.0"	35.3"	46.1"	450 lb.	2484686
L	14.2"	37.4"	50.0"	450 lb.	2484687
XL	14.2"	40.2"	71.3"	450 lb.	2484688

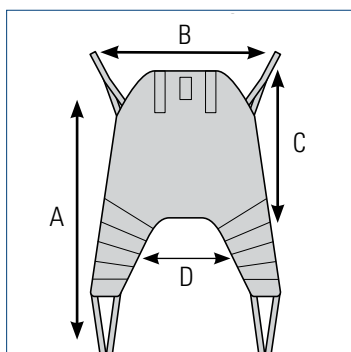


**Transfer Stand Assist Sling**

Also designed for optimal use with the Roze and Reliant 350 and 440 lifts, this high-quality sling provides simple seated transfer for patients with minimal weight bearing ability.

Compatible with the following lifts  
 Invacare® Roze™ Lift  
 Invacare® Reliant™ 350, 450 Lift

SIZE	A	B	C	Weight	Model #/Material
				Capacity	Polyester Fabric
S	33.9"	33.1"	9.5"	450 lb.	2484689
M	40.2"	35.3"	10.2"	450 lb.	2484690
L	46.5"	37.4"	13.0"	450 lb.	2484691
XL	48.5"	40.2"	13.8"	450 lb.	2485117

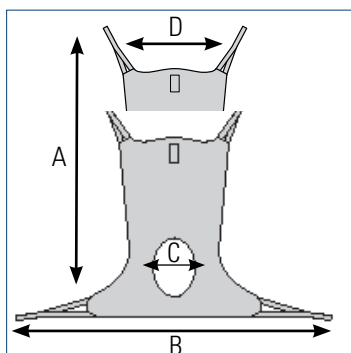


### Universal High Sling

Supports the whole body and head in transfers to/from seated or lying position. Offers a comfortable recline for those with limited head, trunk or hip control. Universal High Sling allows arms to hang outside the sling.

Compatible with the following lifts  
 Invacare® Jasmine™ Lift  
 Invacare® Reliant™ 450, 600 Lift

SIZE	Model #/Material				Weight Capacity	Polyester Fabric	Spacer Fabric
	A	B	C	D			
S	42.6"	33.1"	28.8"	15.0"	500 lb.	2483777	2485956
M	55.9"	39.4"	32.7"	15.8"	500 lb.	2483778	2485957
L	61.1"	43.3"	36.2"	20.1"	500 lb.	2483779	2485958
XL	66.2"	45.3"	36.2"	21.7"	550 lb.	2485949	2485959

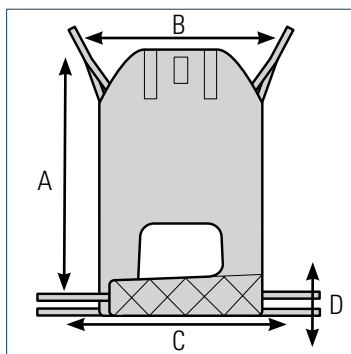


### Comfort Sling and Comfort Sling with Commode Opening

Amputees and residents with chronic or postural pain have delicate needs that may require a constant seated position. Comfort Slings transfer them from a horizontal to seated position, with an additional model if toileting is also required.

Compatible with the following lifts  
 Invacare® Jasmine™ Lift  
 Invacare® Reliant™ 450, 600 Lift

SIZE	Model #/Material				Weight Capacity	Comfort Sling Net Fabric	Comfort Sling w/ Toileting Opening Polyester Fabric	Comfort Sling w/ Toileting Opening Net Fabric
	A	B	C	D				
S	45.3"	41.4"	21.7"	40.2"	500 lb.	2485968	2451092	2451097
M	55.2"	46.1"	24.0"	46.5"	500 lb.	2485969	2451093	2451098
L	57.1"	50.8"	26.4"	50.4"	500 lb.	2485970	2451094	2451099
XL	57.5"	52.4"	29.6"	57.9"	550 lb.	2485947	2451095	2451100

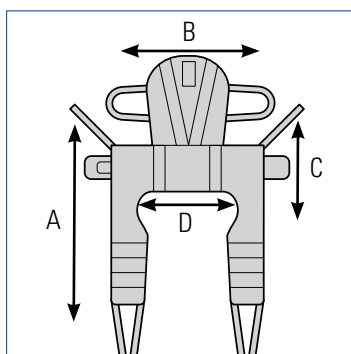


### Easy-Fit Sling

For those with more challenging physical disabilities, including amputees, this sling supports the whole body and head in an upright position with separate leg supports and optimal hip position.

Compatible with the following lifts  
 Invacare® Jasmine™ Lift  
 Invacare® Reliant™ 450, 600 Lift

SIZE	Model #/Material				Weight Capacity	Polyester Fabric
	A	B	C	D		
S	44.5"	29.9"	25.2"	7.1"	500 lb.	2451102
M	47.3"	31.5"	26.6"	7.5"	500 lb.	2451103
L	50.0"	33.9"	28.4"	8.3"	500 lb.	2451104
XL	54.8"	37.0"	30.7"	8.7"	550 lb.	2451105



### Dress Toileting High Sling

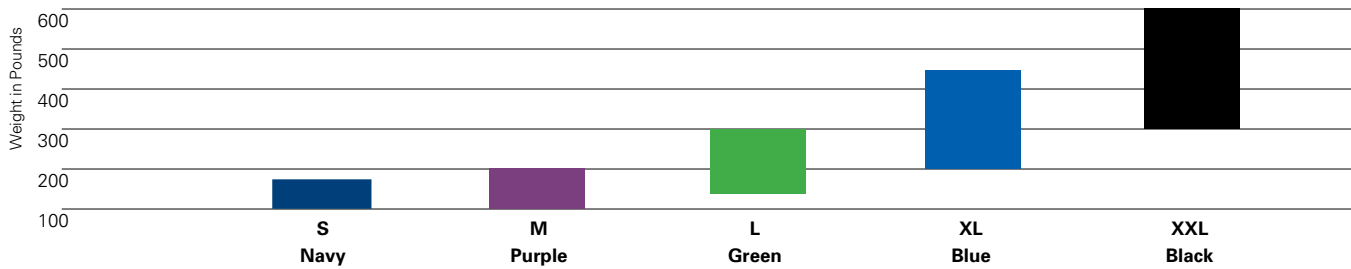
Featured belt offers secure support and positioning. Easy-to-apply Dress Toileting High Sling is suitable for seat-to-seat transfers and dressing or undressing during transfers to toilet. Dress Toileting High Sling is specially designed for users with reduced head control.

Compatible with the following lifts  
 Invacare® Jasmine™ Lift  
 Invacare® Reliant™ 450, 600 Lift

SIZE	Model #/Material				Weight Capacity	Polyester Fabric
	A	B	C	D		
S	34.3"	28.0"	7.9"	16.9"	500 lb.	2478444
M	37.4"	31.5"	9.1"	19.3"	500 lb.	2478445
L	40.2"	35.5"	9.1"	23.6"	500 lb.	2478446
XL	43.3"	42.6"	10.6"	29.9"	550 lb.	2484780

## General Sling Sizes\*

Color/Weight Chart



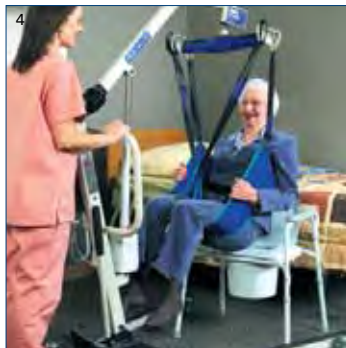
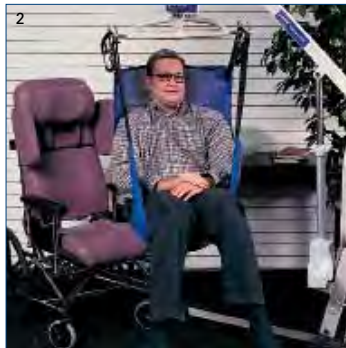
\*Color/weight chart is intended as a guide

## Warning!

BEFORE using the Patient Lift, READ and UNDERSTAND the Operator's Manual for proper operation and safety procedures.



Use the sling that is recommended by the individual's doctor, nurse or medical attendant. Before lifting, check all sling straps for secure points of attachment on lift device. Do not exceed weight limitation posted on lift. Use only with Invacare Patient Lifts. Bleached, torn, cut, frayed or broken slings are unsafe and could result in injury. Discard immediately. Do not alter slings. Use only on Invacare lifts.



1. **Invacare® Reliant™ Full-Body Slings**

2. **Invacare® Reliant™ Full-Body Slings with Commode Opening**

3. **Invacare® Reliant™ Full-Body Slings with Commode Opening**

4. **Invacare® Reliant™ Toileting Sling with Belt**

Complete instructions for lift usage and sling procedures are found in the Invacare Operating Manual. Only Invacare slings and accessories should be used on Invacare lifts.



**Invacare® Reliant™ Slings** come in an array of styles to meet a variety of client needs. Reliant slings feature a unique, fully padded fabric that forms a soft yet supportive surface. The soft, brushed lining helps prevent sliding for ultimate comfort and skin protection, and the stretch-resistant feature helps the slings hold their shape for superior support and ease of positioning. For clients and caregivers alike, Invacare Reliant slings are designed with comfort and safety in mind.

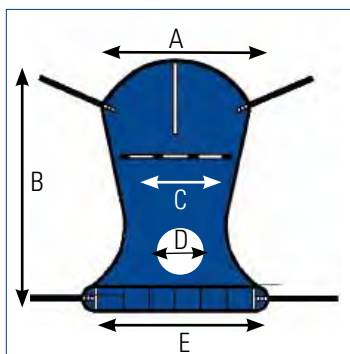
### Features

Sling size and fit can vary significantly depending on patient weight and girth. These are general guidelines. Consult physician before sling selection.

Washing instructions are on each sling label. Washing temperatures should not exceed 180° F. Air-dry or dry at low temperatures.

All slings are constructed of polyester fabrics which can be used in wet or dry environments.

All Invacare® slings were designed specifically for use with Invacare® brand lifts for proper usage and optimal performance. To receive the maximum benefits from Invacare products, please see the size guide, product specs and operator manuals for solutions that best suit your needs.

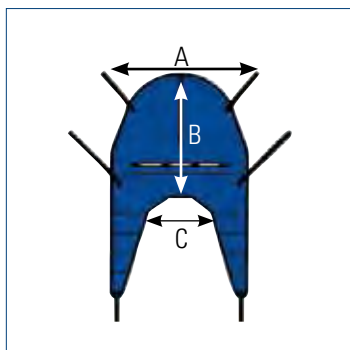


### Full Body Sling With/Without Commode Opening (CO)

An easy sling to use while transferring the patient from the bed to a wheelchair, toilet or shower chair or from floor to bed. It offers total head and neck support and the padded lower section provides additional under-thigh comfort and support. Use the full body sling for patients who are totally dependent, partially-dependent, non-weight bearing, very heavy or have limited head control. Use this sling for amputee patients (in a reclined position).

Compatible with the following lifts  
Invacare® Reliant™ 450, 600 Lifts

SIZE	A	B	C	D	E	Weight Capacity	Model #/Material
M	41.4"	53.3"	23.9"	N/A	43.7"	450 lb.	R110/Mesh
L	45.5"	58.3"	26.3"	N/A	47.7"	450 lb.	R111/Mesh
XXL	45"	55"	45"	N/A	45"	600 lb.	R140/Mesh
M	41.5"	53.3"	23.9"	6"	43.7"	450 lb.	R114/Mesh w/CO
L	45.5"	58.3"	26.3"	7"	47.7"	450 lb.	R115/Mesh w/CO
XL	45.5"	63.2"	26.3"	7"	47.7"	450 lb.	R116/Mesh w/CO
XXL	45"	55"	45"	7"	45"	600 lb.	R141/ Mesh w/CO
M	41.5"	54.7"	23.2"	N/A	41.8"	450 lb.	R112/Solid Fabric
L	45.5"	60.3"	26.3"	N/A	45"	450 lb.	R113/Solid Fabric
XL	45.5"	65.3"	26.1"	N/A	45"	450 lb.	R117/Solid Fabric

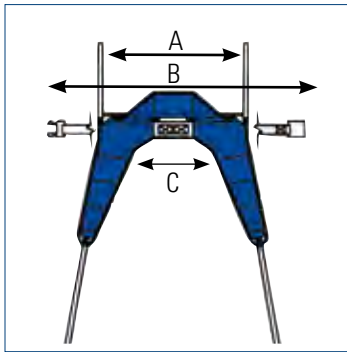


### Divided Leg Sling

The divided leg sling is a secure, easy-to fit general purpose sling, designed for the majority of sling users. Use the divided leg sling for patients who are totally dependent, partially dependent, non-weight bearing, very heavy or have limited head control. Use this sling when transferring the patient from the bed to a wheelchair, recliner or shower chair. The large opening also accommodates toileting.

Compatible with the following lifts  
Invacare® Reliant™ 450, 600 Lifts

SIZE	A	B	C	Weight Capacity	Model #
S	33"	29.16"	12"	450 lb.	R100P
M	37.5"	35.66"	17"	450 lb.	R100
L	41"	40.66"	20.5"	450 lb.	R101
XL	44.5"	43.16"	22.6"	450 lb.	R102



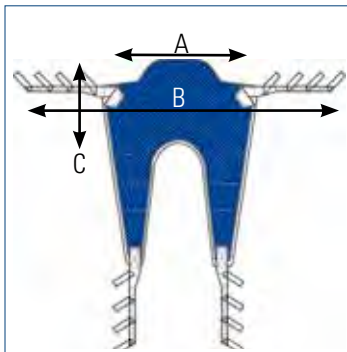
### Solid Fabric Toileting Sling

The Toileting Sling offers superb access for quick toileting and hygiene. It is easy to place and remove in a bed or chair situation. The fully padded design supports the back, offers under thigh comfort and allows for removal of clothing. Color coded positioning straps help align the sling properly on the hanger bar. Note: This sling requires the patient to have FULL head and neck control.

Compatible with the following lifts

Invacare® Reliant™ 450, 600 Lifts

SIZE	A	B	C	Weight Capacity	Model #
L	36"	44.7"	20.5"	450 lb.	R121



### Transport Sling (use with Stand-Up Lift)

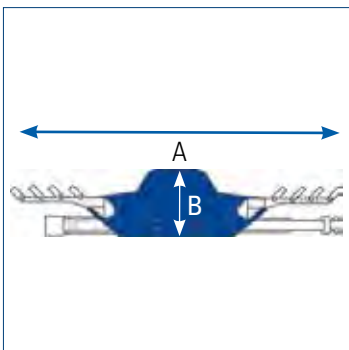
Transport slings are for transferring patients with minimal weight-bearing capacity, who have head and neck control, are cooperative, can sit up on the edge of the bed (with or without assistance) and are able to bend at the hips, knees and ankles. Use the R134 and R136 transport sling for transferring patient from bed to chair, chair to car or general in-room transport. Do not raise patient to a full standing position while using the transport sling.

Compatible with the following lifts

Invacare® Reliant™ 350 Lift

Invacare® Get-U-Up™ Lift

SIZE	A	B	C	Weight Capacity	Model #
One Size	34"	13.5"	9"	440 lb.	R134
XL	46"	13.5"	10"	440 lb.	R136



### Standing Sling (use with Stand-Up Lift)

Standing slings are for patients who are partially dependent, have at least 60% weight bearing capacity, have head and neck control, are cooperative, can sit up on the edge of the bed (with or without assistance) and are able to bend at the hip, knees and ankles. Use the R130 or R131 standing slings for standing assistance, quick toileting, weight bearing practice and for transferring patient from bed to chair, or chair to bed.

Compatible with the following lifts

Invacare® Reliant™ 350 Lift

Invacare® Get-U-Up™ Lift

SIZE	A	B	Weight Capacity	Model #
One Size	60"	16"	440 lb.	R130
XL	84"	16"	440 lb.	R131