

SAVE THESE INSTRUCTIONS

NOTE: Check all parts for shipping damage. In case of shipping damage, DO NOT use. Contact carrier/dealer for further instruction.

To ensure the safe installation, operation and use of the Flovair cushion, these instructions MUST be followed:

⚠ WARNING

DO NOT use this equipment without first reading and understanding these instructions. If you are unable to understand the **Warnings, Cautions, and Instructions**, contact distributor before attempting to use this equipment, otherwise, injury or damage may result.

Check all parts for shipping damage and test before use. In case of damage, DO NOT use. Contact the distributor for further instructions.

The Flovair cushion **IS NOT** designed for use in the treatment of pressure sores.

Skin condition should be checked very frequently after the installation of any new cushion.

Your therapist and physician should be consulted if you have any questions regarding weight relief, self-examination of the skin, or individual limitations and needs.

Make sure the hook and loop fastening straps are securely attached between the seating surface and cushion before using.

The Flovair cushion has a weight limitation of 250 lbs for cushion widths up to and including 20” and 350 lbs for cushion widths over 20”.

⚠ ACCESSORIES WARNING

Invacare products are specifically designed and manufactured for use in conjunction with Invacare accessories. Accessories designed by other manufacturers have not been tested by Invacare and are not recommended for use with Invacare products.

⚠ INSTALLATION WARNING

After ANY adjustments, repair or service and before use, make sure that all attaching component parts are secure.

NOTE: Fluid in the pelvic pressure-relieving insert may have a tendency to migrate downward if the cushion is resting or stored in the vertical position. If this is the case, please remove the outer/inner cover to inspect the insert. If migration has occurred, gently knead the insert to ensure a uniform volume of fluid exists across the surface.

Important Information

The best way to avoid problems related to pressure sores is to understand their causes and your role in a skin management program.

Your therapist and physician should be consulted if you have questions regarding individual limitations and needs.

All cushions should be selected carefully. Working with your therapist, and physician is the best way to assure that a cushion choice matches your individual needs.

As the needs of the individual become more complex, cushion evaluation becomes more important.

Introduction

The Flovair cushion is designed to provide pelvic stability, leg positioning and pressure management for patients with postural asymmetry and skin integrity concerns. The Flovair cushion is available in two different contours to suit the amount of positioning required by the user.

Outer/Inner Covers

The outer cover is made from a water resistant fabric to protect the foam. The top is fabricated from a stretch fabric. The bottom is fabricated from a heavyweight, non-skid fabric.

A water resistant inner cover allows air circulation while providing additional protection for the foam.

Cushion Inspection and Cleaning

Regular cleaning and inspection of the outer and inner covers is recommended.

⚠ WARNING

DO NOT continue to use this product if any of the upholstery materials, foams, and/or plastics are found to be deformed, breaking, worn, and/or compressed. Corrective maintenance can be performed at or arranged through your equipment supplier.

Outer Cover

CAUTION

DO NOT use fabric softeners or bleach. **DO NOT** machine dry. **Air dry only. DO NOT** dry in sun.

Machine wash the outer cover in cold water on gentle cycle using a mild detergent.

Inner Cover

Hand clean the inner cover using a soft cloth, warm water and a mild soap solution. Rinse off and hang dry.

Foam

Wipe the foam with a damp cloth. **DO NOT** submerge or soak.

Attaching/Removing the Cushion To/From the Seating Surface

NOTE: For this procedure, refer to FIGURE 1.

NOTE: To remove the cushion from the seating surface, reverse the following procedure.

NOTE: The seating surface can be one of the following: seat upholstery, drop base or seat pan.

NOTE: The zipper on the cushion should ALWAYS face rearward.

⚠ WARNING

Make sure the hook and loop fasteners are securely attached to the seating surface and to the cushion BEFORE using. If the cushion is not secured to the seating surface, use caution when transferring in and out of the wheelchair.

Hook Attachment Strips/No Attachment Strips

1. Remove double sided hook from bottom of cushion.
2. Align front edge of cushion with front edge of seating surface.
3. Perform one of the following:
 - Hook Attachment Strips - Secure the cushion to the seating surface, making sure that the strips of loop on the cushion cover are securely attached to the strips of hook on the seating surface.
 - No Attachment Strips - Place the cushion on the seating surface.

Loop Attachment Strips

1. Verify the double sided hook strips are securely attached to the loop attachment strips on the bottom of the cushion.
2. Align front edge of cushion with front edge of seating surface.
3. Secure the cushion to the seating surface, making sure that the double sided hook is securely attached to the strips of loop on the cushion cover and the seating surface.

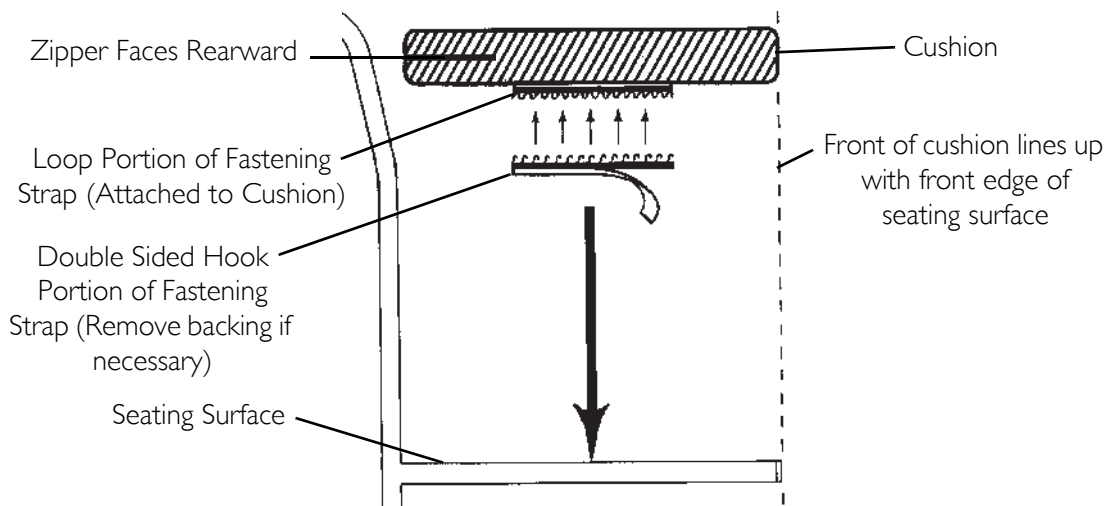


FIGURE 1 Attaching/Removing the Cushion To/From the Seating Surface

Removing/Installing the cushion covers

Removing the outer cover

NOTE: For this procedure, refer to FIGURE 2.

⚠ WARNING

The covers are designed to protect the foam from moisture and to provide fire retardency. **DO NOT** use the cushion without either the inner or outer cover. If the covers are torn, they **MUST** be replaced **IMMEDIATELY**.

-
1. Remove the cushion from the seating surface. Refer to Attaching/Removing the Cushion To/From the Seating Surface on page 3.
 2. Unzip the outer cover.
 3. Remove cushion, still inside the inner cover, from the outer cover.

CAUTION

DO NOT remove both the outer cover and inner cover at the same time, otherwise damage to the inner cover material may occur.

Installing the outer cover

NOTE: For this procedure, refer to FIGURE 2.

1. Position the cushion with inner cover and the pelvic support layer in place toward the rear of the outer cover.

NOTE: The pelvic support layer is at the top of the inner cover.

NOTE: The zipper is at the rear and the stretch fabric is at the top of the outer cover.

2. Slide the cushion into the outer cover.

CAUTION

Use care not to snag the inner cover in the outer cover zipper, or damage to the inner cover will occur.

-
3. Zip the outer cover closed.
 4. Reattach cushion onto seating surface. Refer to Attaching/Removing the Cushion To/From the Seating Surface on page 3.

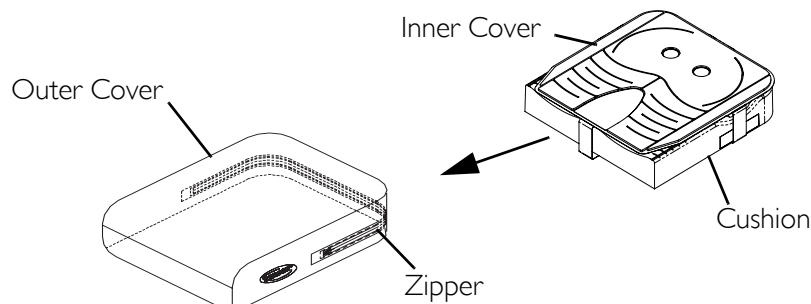


FIGURE 2 Removing/Installing the cushion covers - Installing the outer cover

Removing the inner cover

NOTE: For this procedure, refer to FIGURE 3.

1. Remove the cushion from the outer cover. Refer to Removing the outer cover on page 4.
2. Unflap the inner cover.
3. Remove the cushion from the inner cover.

Installing the inner cover

NOTE: For this procedure, refer to FIGURE 3.

1. Position the cushion with the pelvic support layer toward the rear of the inner cover.

NOTE: The back surface of the cushion is marked "REAR".

2. Slide the cushion into the inner cover.
3. Fold the top flap over and tuck it into the bottom cover.
4. Fold the bottom flap back.
5. Reinstall the cushion, with inner cover in place, into the outer cover. Refer to Installing the outer cover on page 4.

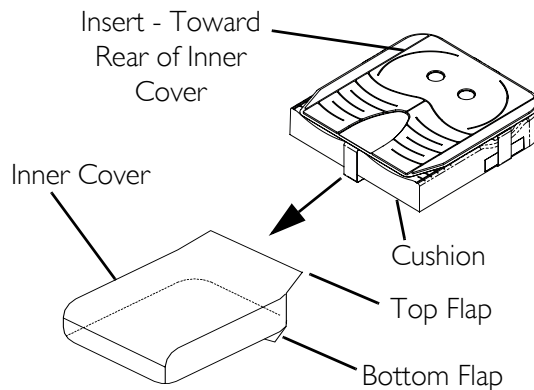


FIGURE 3 Removing the inner cover - Installing the inner cover

Removing/Installing the pelvic support layer

NOTE: For this procedure, refer to FIGURE 4.

NOTE: The cushion comes with a fluid/air pelvic support layer.

Removing the pelvic support layer

1. Remove cushion from inner and outer covers. Refer to Removing/Installing the cushion covers on page 4.
2. Unfasten the front strap, the rear strap, and the two side straps.
3. Lift the existing pelvic support layer and remove from the foam.

Installing the pelvic support layer

1. Center the pelvic support layer on the foam so that the side straps are centered in the contours on each side of the foam.
2. Fasten the rear, front, and side straps together at the bottom of the foam.

NOTE: DO NOT over-tighten the straps. The pelvic support layer MUST be free to move with the cushion.

3. Reinstall cushion into inner and outer covers. Refer to Removing/Installing the cushion covers on page 4.

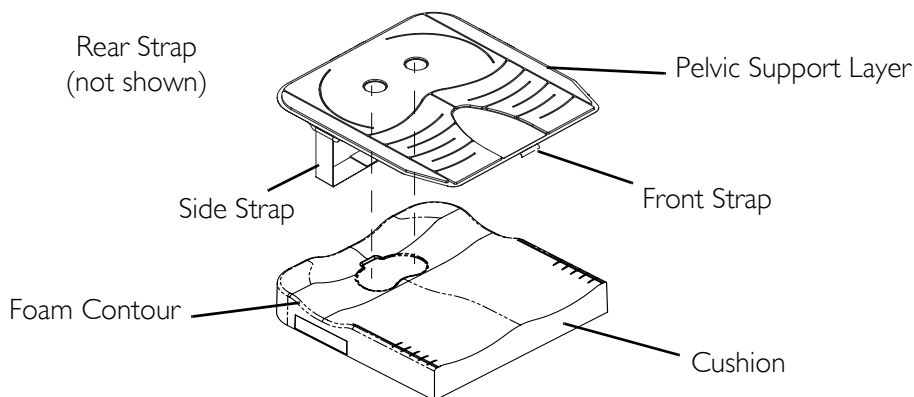


FIGURE 4 Removing/Installing the pelvic support layer

Removing/Installing Removable Leg Wedges

NOTE: For this procedure, refer to FIGURE 5.

NOTE: This procedure provides 1-inch of lower seat to floor height on one side of the cushion. This modification allows for easier foot propelling or the accommodation of some hip flexion limitations.

NOTE: This modification can be done on either side of the cushion.

1. Remove the cushion from the inner and outer covers. Refer to Removing/Installing the cushion covers on page 4.
2. Remove the pelvic support layer. Refer to Removing/Installing the pelvic support layer on page 6.
3. Remove the front leg wedge from the side of the cushion that requires a lower cushion to floor height. Save the leg wedge for future use.

NOTE: Leg wedges secure in place with hook and loop strips.

4. Reinstall the pelvic support layer. Refer to Removing/Installing the pelvic support layer on page 6.
5. Reinstall cushion into inner and outer covers. Refer to Removing/Installing the cushion covers on page 4.

NOTE: This modification can be done on either side of the cushion.

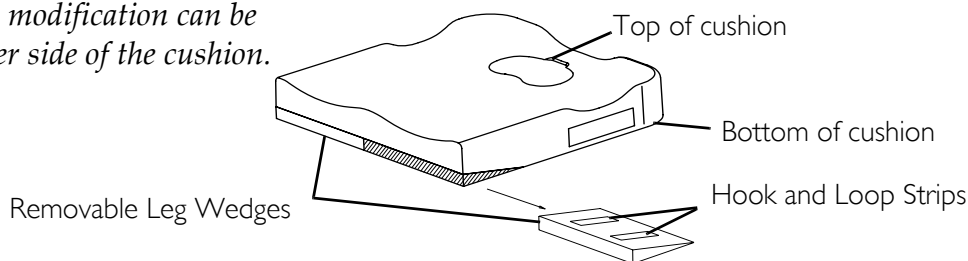


FIGURE 5 Removing/Installing Removable Leg Wedges

LIMITED WARRANTY

PLEASE NOTE: THE WARRANTY BELOW HAS BEEN DRAFTED TO COMPLY WITH FEDERAL LAW APPLICABLE TO PRODUCTS MANUFACTURED AFTER JULY 4, 1975.

This warranty is extended only to the original purchaser/user of our products.

This warranty gives you specific legal rights and you may also have other legal rights which vary from state to state.

Invacare warrants its product to be free from defects in materials and workmanship for the period of two years of use by original purchaser except for the cover, which is warranted for a period of 90 days of use by the original purchaser. If within such warranty period any such product shall be proven to be defective, such product shall be repaired or replaced, at Invacare's option. This warranty does not include any labor or shipping charges incurred in replacement part installation or repair of any such product. Invacare's sole obligation and your exclusive remedy under this warranty shall be limited to such repair and/or replacement.

For warranty service, please contact the dealer from whom you purchased your Invacare product. In the event you do not receive satisfactory warranty service, please write directly to Invacare at the address on the back cover. Provide dealer's name, address, model number, and the date of purchase, indicate nature of the defect and, if the product is serialized, indicate the serial number.

Invacare Corporation will issue a return authorization. The defective unit or parts **MUST** be returned for warranty inspection using the serial number, when applicable, as identification within thirty days of return authorization date. **DO NOT** return products to our factory without our prior consent. **C.O.D.** shipments will be refused; please prepay shipping charges.

LIMITATIONS AND EXCLUSIONS: THE FOREGOING WARRANTY SHALL NOT APPLY TO SERIAL NUMBERED PRODUCTS IF THE SERIAL NUMBER HAS BEEN REMOVED OR DEFACED, PRODUCTS SUBJECT TO NEGLIGENCE, ACCIDENT, IMPROPER OPERATION, MAINTENANCE OR STORAGE, COMMERCIAL OR INSTITUTIONAL USE, PRODUCTS MODIFIED WITHOUT INVACARE'S EXPRESS WRITTEN CONSENT INCLUDING, BUT NOT LIMITED TO, MODIFICATION THROUGH THE USE OF UNAUTHORIZED PARTS OR ATTACHMENTS; PRODUCTS DAMAGED BY REASON OF REPAIRS MADE TO ANY COMPONENT WITHOUT THE SPECIFIC CONSENT OF INVACARE, OR TO A PRODUCT DAMAGED BY CIRCUMSTANCES BEYOND INVACARE'S CONTROL, AND SUCH EVALUATION WILL BE SOLELY DETERMINED BY INVACARE. THE WARRANTY SHALL NOT APPLY TO PROBLEMS ARISING FROM NORMAL WEAR OR FAILURE TO ADHERE TO THESE INSTRUCTIONS.

THE FOREGOING EXPRESS WARRANTY IS EXCLUSIVE AND IN LIEU OF ANY OTHER WARRANTIES WHATSOEVER, WHETHER EXPRESS OR IMPLIED, INCLUDING THE IMPLIED WARRANTIES OF MERCHANTABILITY AND FITNESS FOR A PARTICULAR PURPOSE, AND THE SOLE REMEDY FOR VIOLATIONS OF ANY WARRANTY WHATSOEVER, SHALL BE LIMITED TO REPAIR OR REPLACEMENT OF THE DEFECTIVE PRODUCT PURSUANT TO THE TERMS CONTAINED HEREIN, THE APPLICATION OF ANY IMPLIED WARRANTY WHATSOEVER SHALL NOT EXTEND BEYOND THE DURATION OF THE EXPRESS WARRANTY PROVIDED HEREIN. INVACARE SHALL NOT BE LIABLE FOR ANY CONSEQUENTIAL OR INCIDENTAL DAMAGES WHATSOEVER.

THIS WARRANTY SHALL BE EXTENDED TO COMPLY WITH STATE/PROVINCIAL LAWS AND REQUIREMENTS.