

Whitmyer Biomechanix

Replacement Parts Catalog

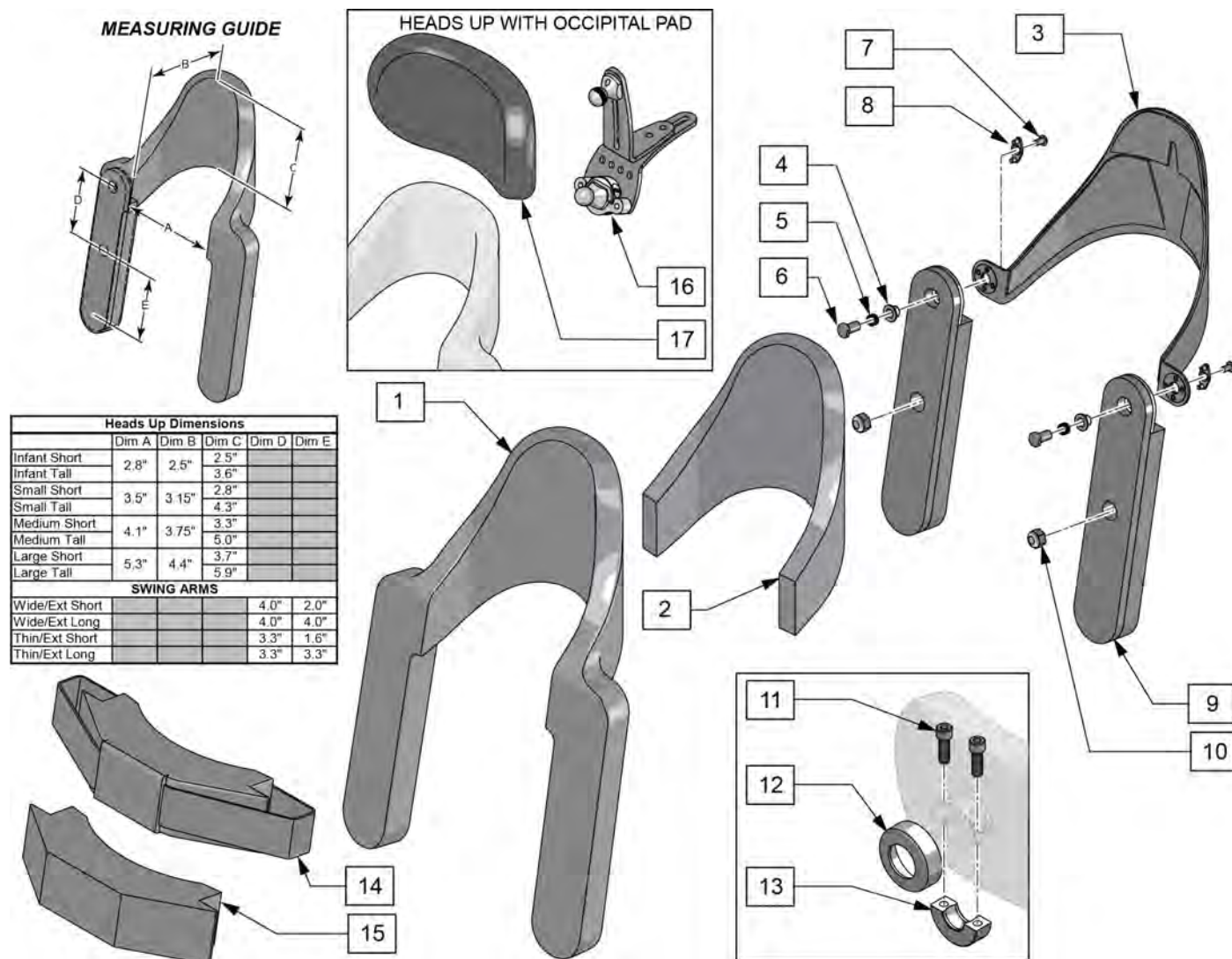
JANUARY 2017

HEAD SUPPORT solutions



Product	1
WHITMYER.....	3
HEADS UP	3
HEADS UP	3
HEADS UP - FIXED ARM	6
REPLACEMENT PARTS	7
REPLACEMENT PADS, COVERS, FOAM & INSERTS	7
PLUSH PADS REPLACEMENT FOAM AND COVERS.....	8
SPECIALTY PLUSH REPLACEMENT FOAM AND COVERS.....	9
CONTOURED CRADLE REPLACEMENT FOAM AND COVERS.....	11
SINGLE OCCIPITAL REPLACEMENT FOAM AND COVERS	12
S.O.F.T ADULT PADS	13
S.O.F.T PEDIATRIC PADS.....	15
FACIAL SUPPORT PADS.....	17
GEL INSERTS.....	19
HEADRESTS	19
AXYS HEADREST	20
COBRA HEADREST	21
LINX HEADREST	22
ONYX HEADREST.....	23
PRO HEADREST MOUNT	25
ADJUSTABLE QUICK MOUNT.....	26
SLIDE MOUNT	27
SHELL INTERFACE.....	28
SWING AWAY MOUNTING PLATE.....	29
UNIVERSAL HEADREST MOUNT	30
OPTIONS & ACCESSORIES.....	30
LATERAL FACIAL SUPPORT REPLACEMENT PARTS.....	31
ANTERIOR SUPPORTS	32
S.O.F.T BASE PLATE ASSEMBLIES	33
OPTIONS AND ACCESSORIES.....	34
WHIT KIT.....	35

Note: Parts not compatible with Headrest ordered prior to 5/27/2013, please replace complete headrest if ordered prior to 5/27/2013.

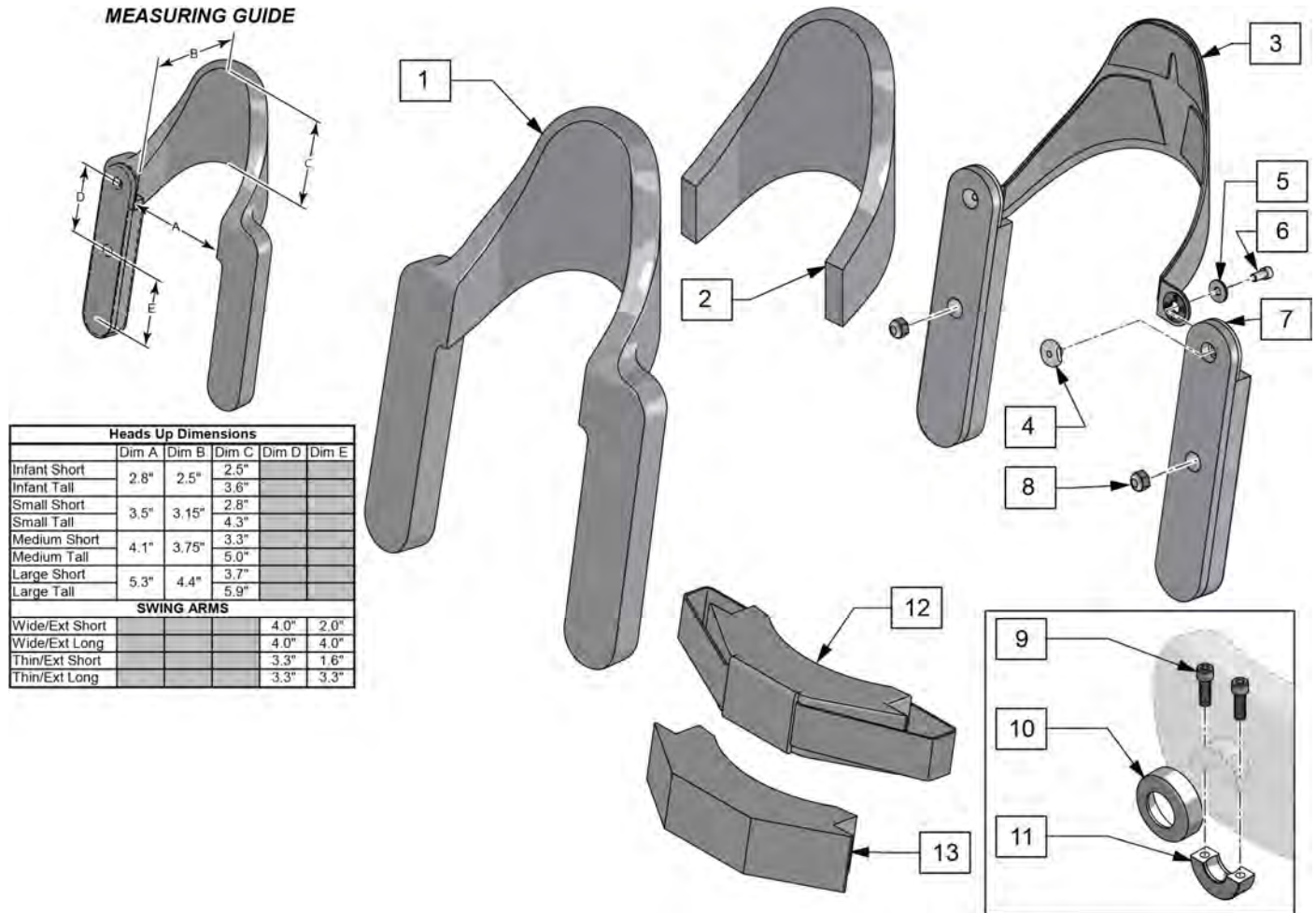


Pos.	Item Number	Description	Remarks
		DARTEX	
1	125375	COV INFANT SHT WIDE SHT DARTEX	Short Cradle, Short Arms
1	125376	COV INFANT SHT WIDE LNG DARTEX	Short Cradle, Long Arms
1	125379	COV INFANT TALL THIN SHT DARTEX	Tall Cradle, Short Arms
1	125380	COV INFANT TALL THIN LNG DARTEX	Tall Cradle, Long Arms
1	125383	COV SMALL SHT WIDE SHT DARTEX	Short Cradle, Short Arms
1	125384	COV SMALL SHT WIDE LNG DARTEX	Short Cradle, Long Arms
1	125387	COV SMALL TALL THIN SHT DARTEX	Tall Cradle, Short Arms
1	125388	COV SMALL TALL THIN LNG DARTEX	Tall Cradle, Long Arms
1	125391	COV MEDIUM SHT WIDE SHT DARTEX	Short Cradle, Short Arms
1	125392	COV MEDIUM SHT WIDE LNG DARTEX	Short Cradle, Long Arms
1	125395	COV MEDIUM TALL THIN SHT DARTEX	Tall Cradle, Short Arms
1	125396	COV MEDIUM TALL THIN LNG DARTEX	Tall Cradle, Long Arms
1	125399	COV LARGE SHT WIDE SHT DARTEX	Short Cradle, Short Arms

Pos.	Item Number	Description	Remarks
1	125400	COV LARGE SHT WIDE LNG DARTEX	Short Cradle, Long Arms
1	125403	COV LARGE TALL THIN SHT DARTEX	Tall Cradle, Short Arms
1	125404	COV LARGE TALL THIN LNG DARTEX	Tall Cradle, Long Arms
		LYCRA	
1	125377	COV INFANT SHT WIDE SHT LYCRA	Short Cradle, Short Arms
1	125378	COV INFANT SHT WIDE LNG LYCRA	Short Cradle, Long Arms
1	125381	COV INFANT TALL THIN SHT LYCRA	Tall Cradle, Short Arms
1	125382	COV INFANT TALL THIN LNG LYCRA	Tall Cradle, Long Arms
1	125385	COV SMALL SHT WIDE SHT LYCRA	Short Cradle, Short Arms
1	125386	COV SMALL SHT WIDE LNG LYCRA	Short Cradle, Long Arms
1	125389	COV SMALL TALL THIN SHT LYCRA	Tall Cradle, Short Arms
1	125390	COV SMALL TALL THIN LNG LYCRA	Tall Cradle, Long Arms
1	125393	COV MEDIUM SHT WIDE SHT LYCRA	Short Cradle, Short Arms
1	125394	COV MEDIUM SHT WIDE LNG LYCRA	Short Cradle, Long Arms
1	125397	COV MEDIUM TALL THIN SHT LYCRA	Tall Cradle, Short Arms
1	125398	COV MEDIUM TALL THIN LNG LYCRA	Tall Cradle, Long Arms
1	125401	COV LARGE SHT WIDE SHT LYCRA	Short Cradle, Short Arms
1	125402	COV LARGE SHT WIDE LNG LYCRA	Short Cradle, Long Arms
1	125405	COV LARGE TALL THIN SHT LYCRA	Tall Cradle, Short Arms
1	125406	COV LARGE TALL THIN LNG LYCRA	Tall Cradle, Long Arms
2	125351	STANDARD CRADLE PAD INF SHT	
2	125352	STANDARD CRADLE PAD INF TL	
2	125353	STANDARD CRADLE PAD SM SHT	
2	125354	STANDARD CRADLE PAD SM TL	
2	125355	STANDARD CRADLE PAD MED SHT	
2	125356	STANDARD CRADLE PAD MED TL	
2	125357	STANDARD CRADLE PAD LRG SHT	
2	125358	STANDARD CRADLE PAD LRG TL	
2	125359	COMFORT CRADLE PAD INF SHT	
2	125360	COMFORT CRADLE PAD INF TL	
2	125361	COMFORT CRADLE PAD SM SHT	
2	125362	COMFORT CRADLE PAD SM TL	
2	125363	COMFORT CRADLE PAD MED SHT	
2	125364	COMFORT CRADLE PAD MED TL	
2	125365	COMFORT CRADLE PAD LRG SHT	
2	125366	COMFORT CRADLE PAD LRG TL	
3	125343	INFANT SHORT CRADLE SHELL	
3	125345	SMALL SHORT CRADLE SHELL	
3	125347	MEDIUM SHORT CRADLE SHELL	
3	125349	LARGE SHORT CRADLE SHELL	
3	125344	INFANT TALL CRADLE SHELL	
3	125346	SMALL TALL CRADLE SHELL	
3	125348	MEDIUM TALL CRADLE SHELL	
3	125350	LARGE TALL CRADLE SHELL	
4-8	125415	PUSH BUTTON ADJ MECH 1 SIDE	
9	125367	SWING ARM WIDE EXT SHORT RT	Used w/ Med & Large Cradle
9	125368	SWING ARM WIDE EXT SHORT LT	Used w/ Med & Large Cradle
9	125369	SWING ARM WIDE EXT LONG RT	Used w/ Med & Large Cradle
9	125370	SWING ARM WIDE EXT LONG LT	Used w/ Med & Large Cradle
9	125371	SWING ARM THIN EXT SHORT RT	Used w/ Infant & Small Cradle
9	125372	SWING ARM THIN EXT SHORT LT	Used w/ Infant & Small Cradle
9	125373	SWING ARM THIN EXT LONG RT	Used w/ Infant & Small Cradle
9	125374	SWING ARM THIN EXT LONG LT	Used w/ Infant & Small Cradle
10	106933	NUT NYLOCK THIN 1/4-20 ROHS	
11	MF014600	1/4-28x5/8" SHCS-COLLAR BOLT	
12	MC100-WB	COVER 3/4" COLLAR /VINYL BLACK	
13	MW027100	COLLAR HALF RAD 3/4" THD. BLCK	

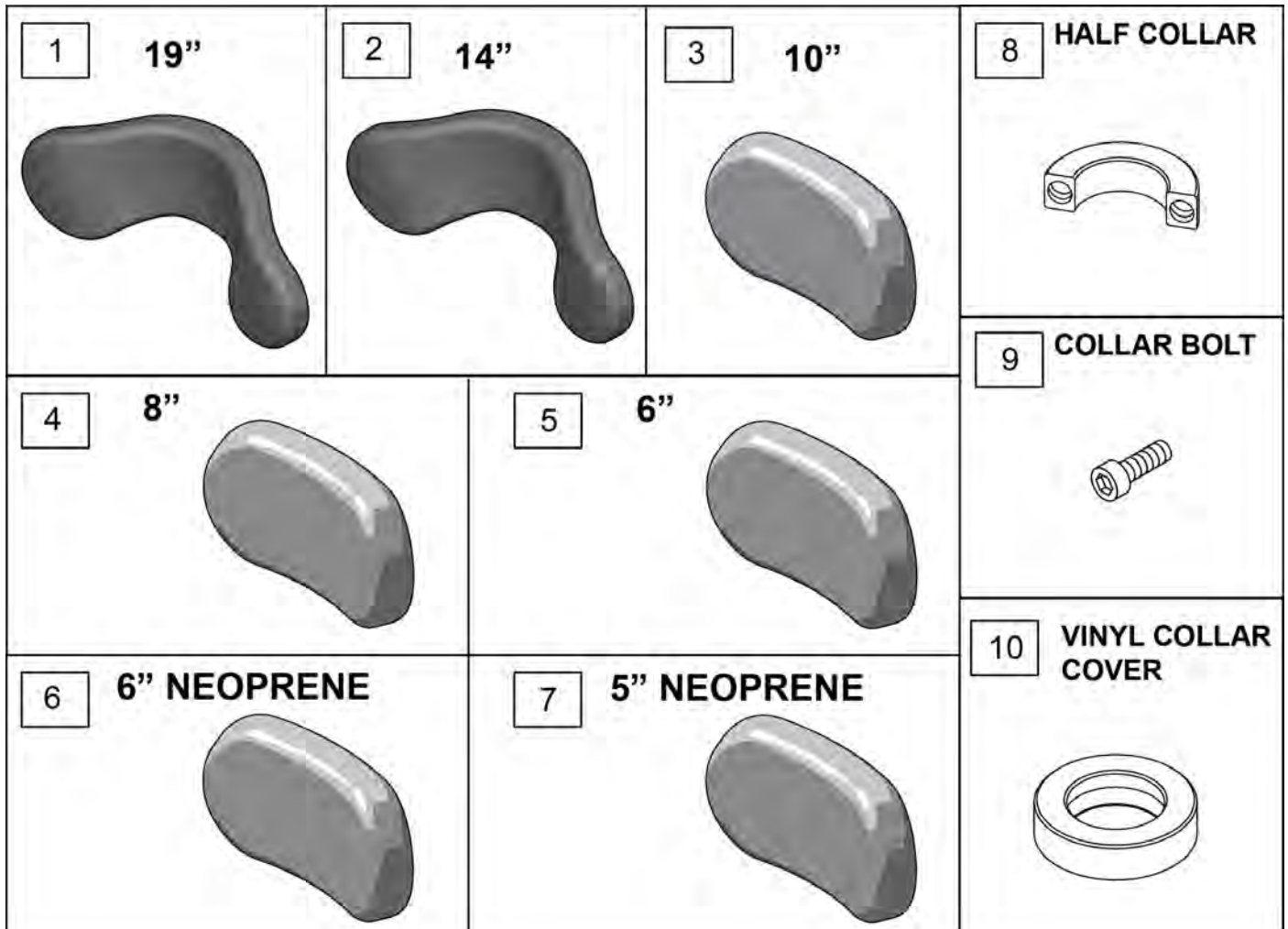
Pos.	Item Number	Description	Remarks
15	125407	FOAM PAD CHIN PROMPT INFANT	
15	125408	FOAM PAD CHIN PROMPT SMALL	
15	125409	FOAM PAD CHIN PROMPT MEDIUM	
15	125410	FOAM PAD CHIN PROMPT LARGE	
14	125411	COVER PAD CHIN PROMPT INFANT	
14	125412	COVER PAD CHIN PROMPT SMALL	
14	125413	COVER PAD CHIN PROMPT MEDIUM	
14	125414	COVER PAD CHIN PROMPT LARGE	
16	M9275	S.O.F.T. BPA, SINGLE SUB-OCC	
17	P500L-WB	OCCIP PAD, PED, LYCRA	
17	P600L	OCCIP PAD, ADULT, LYCRA	
17	P800L	PLUSH PAD, 8 IN LYCRA	
17	P1000L	PAD 10" PLUSH/LYCRA	
17	P500V	OCCIP PAD, PED, DR	
17	P600V	OCCIP PAD, ADULT, DR	
17	P800V	PLUSH PAD, 8", DR	
17	P1000V	PLUSH PAD, 10", DR	

Note: Parts not compatible with Headrest ordered prior to 5/27/2013, please replace complete headrest if ordered prior to 5/27/2013.

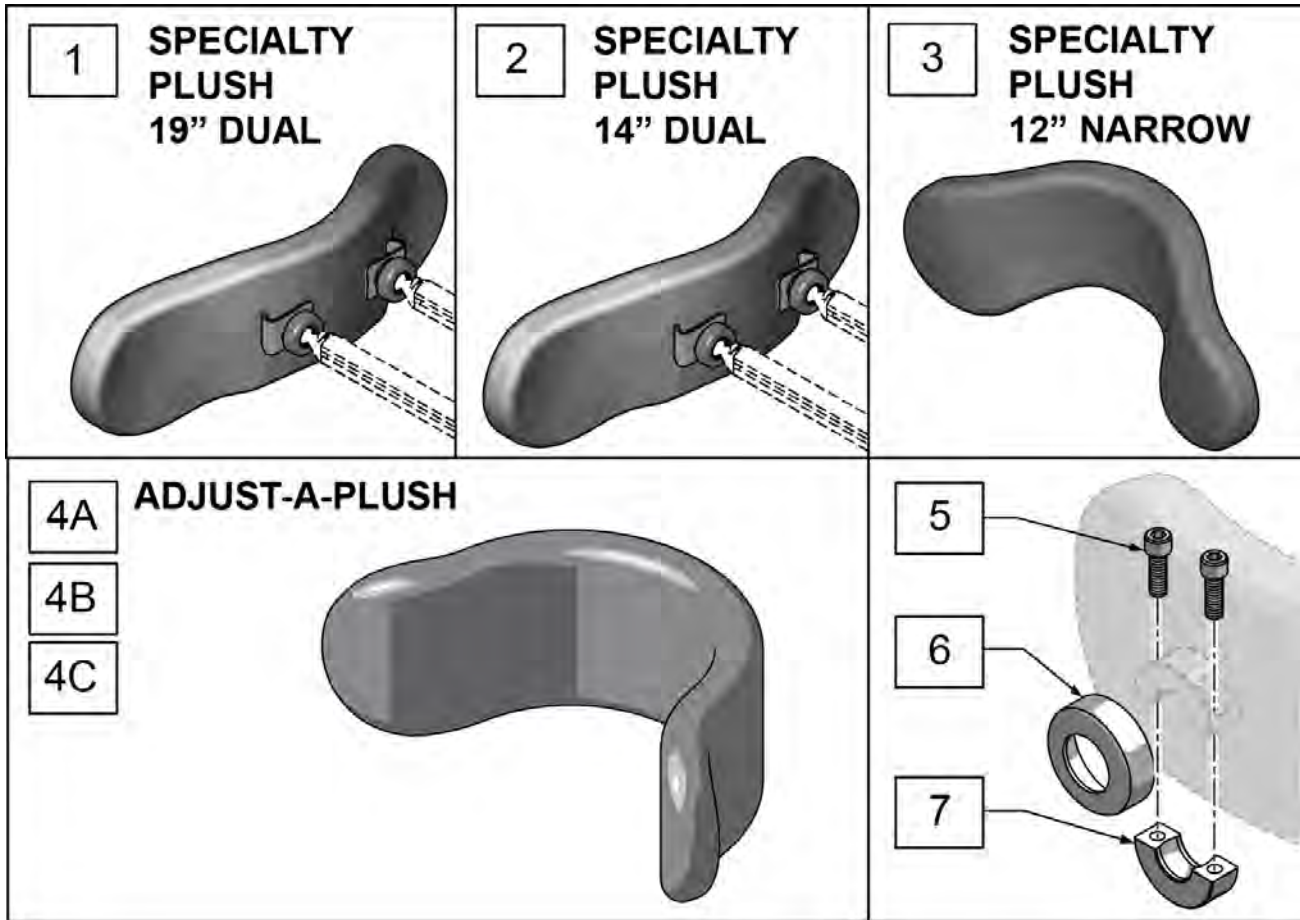


Pos.	Item Number	Description	Remarks
		<<DARTEX>>	
1	245262	CVR HUP FXD INFT TL SHT ARM V	Tall Cradle, Short Arms
1	245263	CVR HUP FXD SM TL SHT ARM V	Tall Cradle, Short Arms
1	245264	CVR HUP FXD MED TL LNG ARM V	Tall Cradle, Long Arms
1	245265	CVR HUP FXD LG TL LNG ARM V	Tall Cradle, Long Arms
		<<LYCRA>>	
1	245266	CVR HUP FXD INFT TL SHT ARM LY	Tall Cradle, Short Arms
1	245267	CVR HUP FXD SM TL SHT ARM LY	Tall Cradle, Short Arms
1	245268	CVR HUP FXD MED TL LNG ARM LY	Tall Cradle, Long Arms
1	245269	CVR HUP FXD LG TL LNG ARM LY	Tall Cradle, Long Arms
		<<CRADLE FOAM>>	
2	125352	STANDARD CRADLE PAD INF TL	
2	125354	STANDARD CRADLE PAD SM TL	
2	125356	STANDARD CRADLE PAD MED TL	
2	125358	STANDARD CRADLE PAD LRG TL	
		<<CRADLE SHELL>>	
3	125344	INFANT TALL CRADLE SHELL	
3	125346	SMALL TALL CRADLE SHELL	

Pos.	Item Number	Description	Remarks
3	125348	MEDIUM TALL CRADLE SHELL	
3	125350	LARGE TALL CRADLE SHELL	
		<<ARMS>>	
7	125369	SWING ARM WIDE EXT LONG RT	Used w/ Med & Large Cradle
7	125370	SWING ARM WIDE EXT LONG LT	Used w/ Med & Large Cradle
7	125371	SWING ARM THIN EXT SHORT RT	Used w/ Infant & Small Cradle
7	125372	SWING ARM THIN EXT SHORT LT	Used w/ Infant & Small Cradle
		<<HARDWARE>>	
4-6	245270	HARDWARE, FIXED HEADS UP,1SET	Fixed Arm Locking Hdwr; 1 set = 1 side
8	106933	NUT NYLOCK THIN 1/4-20 ROHS	
9	MF014600	1/4-28x5/8" SHCS-COLLAR BOLT	
10	MC100-WB	COVER 3/4" COLLAR /VINYL BLACK	
11	MW027100	COLLAR HALF RAD 3/4" THD. BLCK	
		<<CHIN PAD COVERS>>	
12	125411	COVER PAD CHIN PROMPT INFANT	
12	125412	COVER PAD CHIN PROMPT SMALL	
12	125413	COVER PAD CHIN PROMPT MEDIUM	
12	125414	COVER PAD CHIN PROMPT LARGE	
		<<CHIN PAD FOAM>>	
13	125407	FOAM PAD CHIN PROMPT INFANT	
13	125408	FOAM PAD CHIN PROMPT SMALL	
13	125409	FOAM PAD CHIN PROMPT MEDIUM	
13	125410	FOAM PAD CHIN PROMPT LARGE	

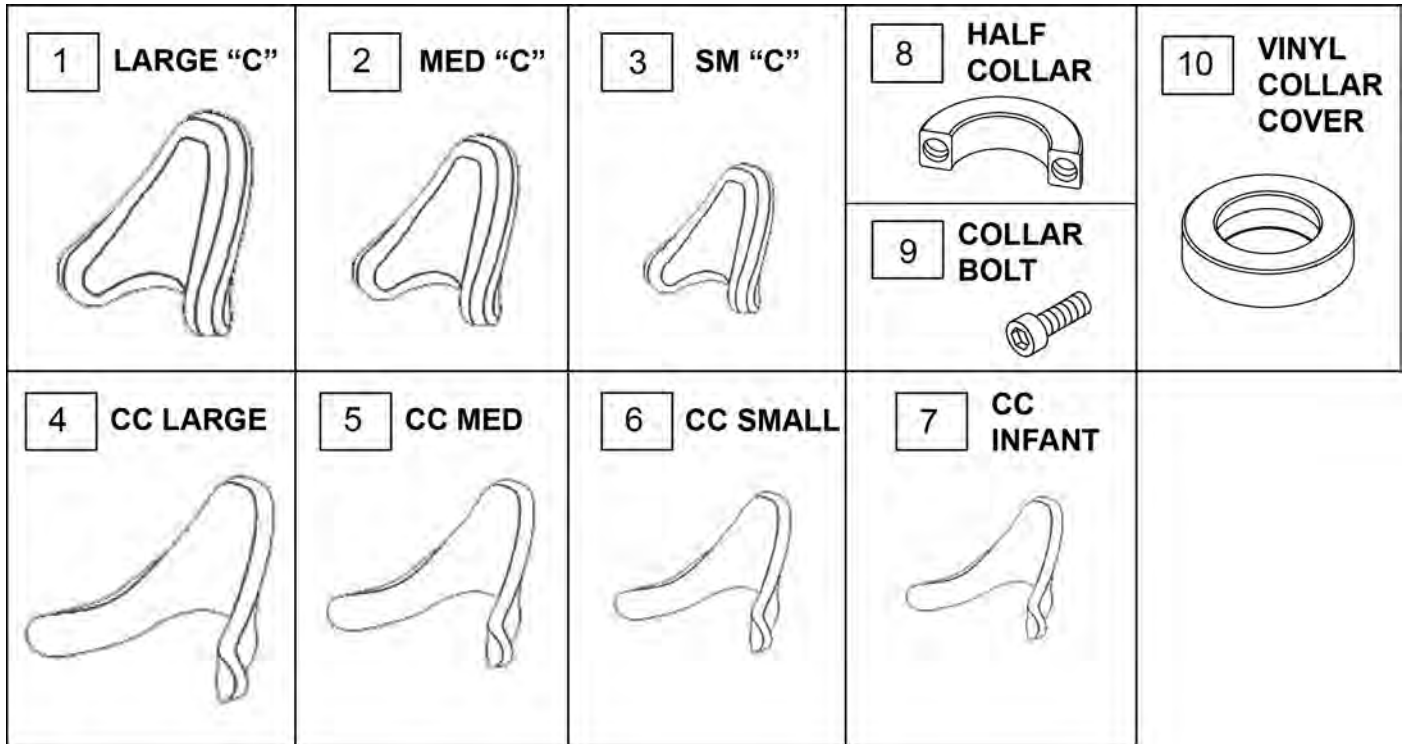


Pos.	Item Number	Description	Pos.	Item Number	Description
1	PF1900	REFOAM KIT 19"PLUSH	4	PC800F	COVER 8"PLUSH/FLEECE
1	PC1900L	COVER 19"PLUSH/LYCRA	4	PC800P	COVER 8"PLUSH/ALLURE NH
1	PC1900V	COVER 19" PLUSH/R'VSD DARTEXX	5	PF605	REFOAM KIT 6"PLUSH
1	PC1900F	COVER 19"PLUSH/FLEECE	5	PC605L	COVER 6"PLUSH/LYCRA
2	PF1400	REFOAM KIT 14"PLUSH	5	PC605V	COVER 6" PLUSH/R'VSD DARTEXX
2	PC1400L	COVER 14"PLUSH/LYCRA	5	PC605F	COVER 6"PLUSH/FLEECE
2	PC1400V	COVER 14" PLUSH/R'VSD DARTEXX	6	PF600	REFOAM KIT ADULT OCC/4"X 6"LAT
2	PC1400F	COVER 14"PLUSH/FLEECE	6	PC600L	COVER, ADULT OCCIPITAL/LYCRA
3	PF1000	REFOAM KIT 10"PLUSH	6	PC600V	COVER ADULT OCC/R'VSD DARTEXX
3	PC1000L	COVER 10"PLUSH/LYCRA	7	PF500	REFOAM KIT PED REAR/STD LAT
3	PC1000V	COVER 10" PLUSH/R'VSD DARTEXX	7	PC500L	COVER PED OCCIPITAL/LYCRA
3	PC1000F	COVER 10"PLUSH/FLEECE	7	PC500V	COVER OCC PED/2 1/4X5 LAT/RD
4	PF800	REFOAM KIT 8"PLUSH	8	MW027100	COLLAR HALF RAD 3/4" THD. BLCK
4	PC800L	COVER 8"PLUSH/LYCRA	9	MF014600	1/4-28x5/8" SHCS-COLLAR BOLT
4	PC800V	COVER 8" PLUSH/R'VSD DARTEXX	10	MC100-WB	COVER 3/4" COLLAR /VINYL BLACK

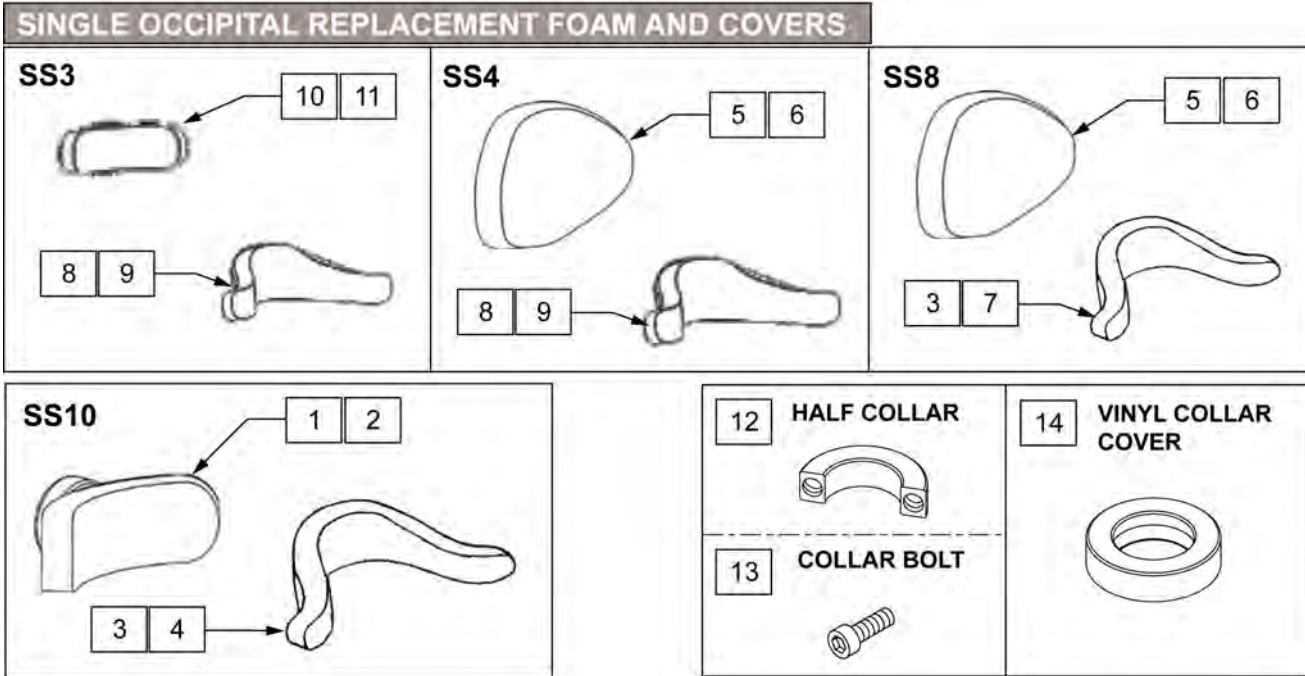


Pos.	Item Number	Description	Remarks
1	PF1900	REFOAM KIT 19"PLUSH	
1	PC1900L	COVER 19"PLUSH/LYCRA	
1	PC1900V	COVER 19" PLUSH/R'VSD DARTEXX	
1	PC1900F	COVER 19"PLUSH/FLEECE	
2	PF1400	REFOAM KIT 14"PLUSH	
2	PC1400L	COVER 14"PLUSH/LYCRA	
2	PC1400V	COVER 14" PLUSH/R'VSD DARTEXX	
2	PC1400F	COVER 14"PLUSH/FLEECE	
3	PF1205	REFOAM KIT 12" NARROW PLUSH	
3	PC1205L	COVER NARROW PLUSH/LYCRA	
3	PC1205V	CVR NARROW PLUSH/R'VSD DARTEXX	
3	PC1205F	COVER NARROW PLUSH/FLEECE	
4A	PF8088	FOAM STD ADJUSTAPLUSH	Single or Dual Mount
4A	PC8088L	COVER, STD ADJUST-A-PL, LY	Single or Dual Mount
4A	PC8088V	COVER STD ADJ-PLUSH/RD	Single or Dual Mount
4A	PC8088F	COVER STD ADJUSTAPLUSH/FLEECE	Single or Dual Mount
4B	PF8044	FOAM NARROW ADJUSTAPLUSH	Single or Dual Mount
4B	PC8044L	COVER, NAR ADJUST-A-PL,LY	Single or Dual Mount
4B	PC8044V	COVER, NAR ADJUST-A-PL, DR	Single or Dual Mount
4B	PC8044F	COVER NARROW ADJ-PLUSH/FLEECE	Single or Dual Mount
4C	PF8066	FOAM MED ADJ-A-PLUSH	Single or Dual Mount
4C	PC8066L	COVER MED ADJ-A-PLUSH LYCRA	Single or Dual Mount
4C	PC8066V	COVER MED ADJ-A-PLUSH REV DARTEXX	Single or Dual Mount
5	MF014600	1/4-28x5/8" SHCS-COLLAR BOLT	

Pos.	Item Number	Description	Remarks
6	MC100-WB	COVER 3/4" COLLAR /VINYL BLACK	
7	MW027100	COLLAR HALF RAD 3/4" THD. BLCK	

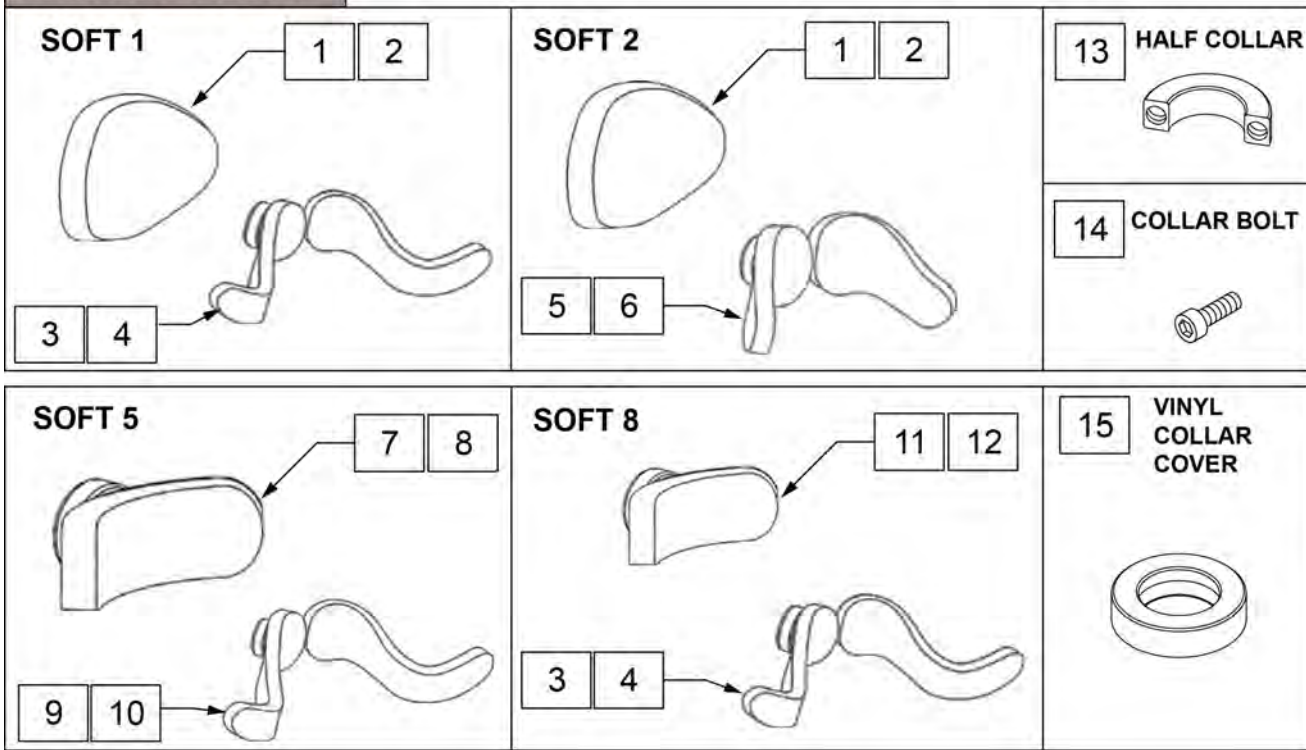


Pos.	Item Number	Description	Pos.	Item Number	Description
1	PF4010	REFOAM KIT, LARGE C-PLUSH	5	PF300	FOAM MED CONTOURED CRADLE
1	PC4010L	COVER LRG CCPLUSH/LYCRA	5	PC300L	COVER MED CONTED CRADLE/LYCRA
1	PC4010V	COVER LRG CCPLUSH/RD	5	PC300V	COVER MED CONTRD CRADLE/RD
1	PC4010F	COVER LRG CCPLUSH/FLEECE	5	PC300F	COVER MED CONTED CRADLE/FLEECE
2	PF3010	REFOAM KIT, MED C-PLUSH	6	PF200	FOAM SMALL CONTOURED CRADLE
2	PC3010L	COVER MED CCPLUSH/LYCRA	6	PC200L	COVER SML CONTED CRADLE/LYCRA
2	PC3010V	COVER MED CCPLUSH/RD	6	PC200V	COVER SML CONTRD CRADLE/RD
2	PC3010F	COVER MED CCPLUSH/FLEECE	6	PC200F	COVER SML CONTED CRADLE/FLEECE
3	PF2010	REFOAM KIT, SMALL C-PLUSH	7	INFTF200	FOAM INFANT CONTOURED CRADLE
3	PC2010L	COVER SMALL CCPLUSH/LYCRA	7	INFTC200-L	COVER INFANT CONTED CRADLE/LYCRA
3	PC2010V	COVER SMALL CCPLUSH/RD	7	INFTC200-V	COVER INFANT CONTRD CRADLE/RD
3	PC2010F	COVER SMALL CCPLUSH/FLEECE	7	INFTC200F	COVER INFANT CONTED CRADLE/FLEECE
4	PF400	FOAM LG CONTOURED CRADLE	8	MW027100	COLLAR HALF RAD 3/4" THD. BLK
4	PC400L	COVER LG CONTED CRADLE/LYCRA	9	MF014600	1/4-28x5/8" SHCS-COLLAR BOLT
4	PC400V	COVER LG CONTRD CRADLE/RD	10	MC100-WB	COVER 3/4" COLLAR /VINYL BLACK
4	PC400F	COVER LG CONTED CRADLE/FLEECE			



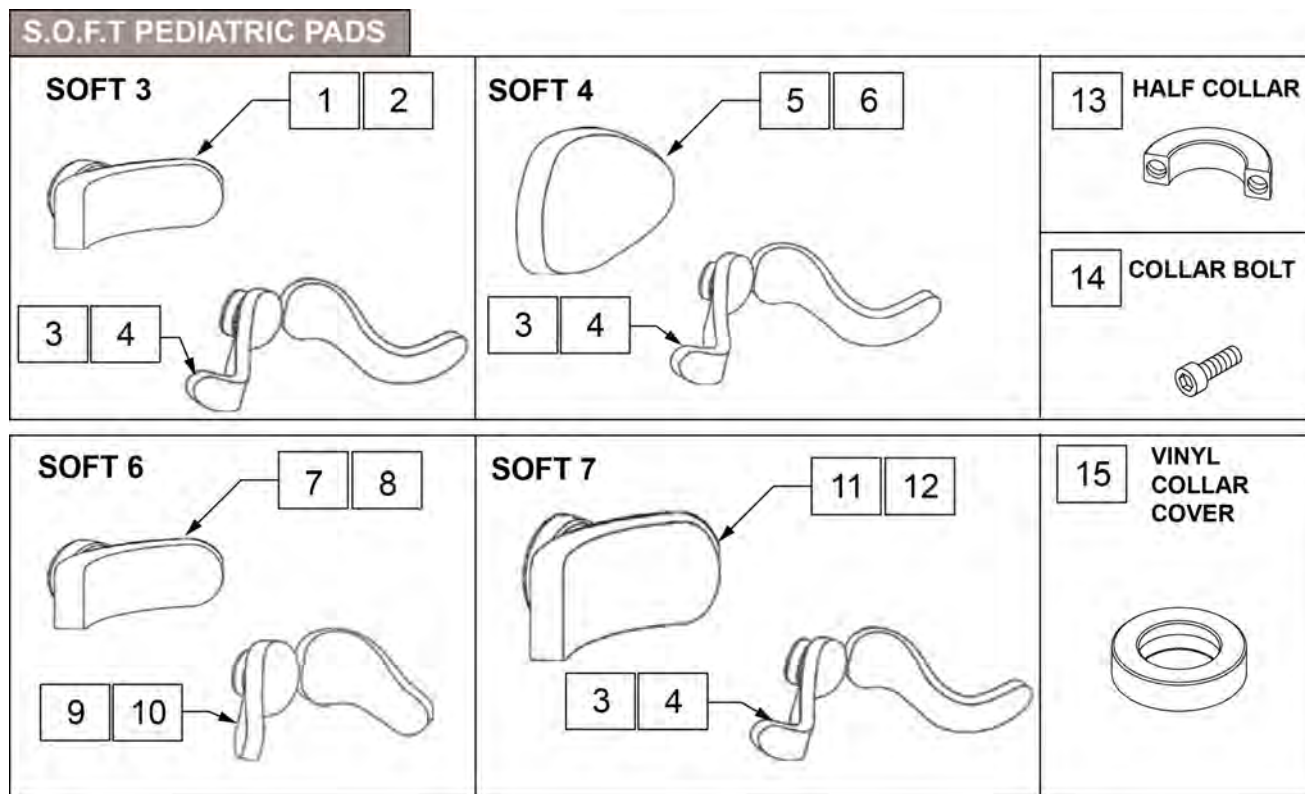
Pos.	Item Number	Description	Pos.	Item Number	Description
1	PF1000	REFOAM KIT 10"PLUSH	12	MW027100	COLLAR HALF RAD 3/4" THD. BLCK
2	PC1000L	COVER, 10" PLUSH, LYCRA	13	MF014600	1/4-28x5/8" SHCS-COLLAR BOLT
2	PC1000V	COVER, 10" PLUSH, DR	14	MC100-WB	COVER 3/4" COLLAR /VINYL BLACK
2	PC1000F	COVER 10"PLUSH/FLEECE	1,3	PFSS10	REFOAM KIT SOFT-SS10 CONFIG
3	PFSS01	REFOAM KIT LRG SINGLE SUB-OCC	2,4	PCSS10L	COVER SET SOFT-SS10/LYCRA
4	PCSSO1L	COVER LRG SINGLE SUB-OCC/LYCRA	2,4	PCSS10V	COVER SET SOFT-SS10/DR
4	PCSSO1V	COVER LRG SINGLE SUB-OCC/RD	2,4	PCSS10F	COVER SET SOFT-SS10/FLEECE
5	PF600	REFOAM KIT ADULT OCC/4"X 6"LAT	3,5	PFSS8	REFOAM KIT SOFT SS8
6	PC600L	COVER, ADULT OCCIPITAL/LYCRA	5,8	PFSS4	REFOAM KIT PRO-SS4
6	PC600V	COVER ADULT OCC/R/VSD DARTEXX	6,7	PCSS8L	COVER SET SOFT-SS8/LYCRA
7	PCSSO1L	COVER LRG SINGLE SUB-OCC/LYCRA	6,7	PCSS8V	COVER SET SOFT-SS8/DR
7	PCSSO1V	COVER LRG SINGLE SUB-OCC/RD	6,7	PCSS8F	COVER SET SOFT-SS8/FLEECE
8	PFSSO3	REFOAM KIT PED SINGLE SUB-OCC	6,9	PCSS4L	COVER SET SOFT-SSR/LYCRA
9	PCSSO3F	COVER SML SINGLE SUB-OCC/FLEEC	6,9	PCSS4V	COVER SET SOFT-SS4/DR
9	PCSSO3L	COVER SINGLE SUB-OCC/LYCRA	6,9	PCSS4F	COVER SET SOFT-SS4/FLEECE
9	PCSSO3V	COVER SML SINGLE SUB-OCC/RD	8,10	PFSS3	REFOAM KIT SOFT SS3
10	PF500	REFOAM KIT PED REAR/STD LAT	9,11	PCSS3L	COVER SET SOFT SS3 /LY
11	PC500L	COVER PED OCCIPITAL/LYCRA	9,11	PCSS3V	COVER SET SOFT-SS3/DR
11	PC500V	COVER PED OCCIPITAL/RD	9,11	PCSS3F	COVER SET SOFT-SS3 FLEECE

S.O.F.T ADULT PADS



Pos.	Item Number	Description	Pos.	Item Number	Description
1	PF600	REFOAM KIT ADULT OCC/4"X 6"LAT	8	PC1000V	REFOAM KIT RIGHT SIZE5 SUB-OCC
2	PC600L	COVER, ADULT OCCIPITAL/LYCRA	10	PCSO5LL	COVER LEFT SZ5 SUB-OCC/LYCRA
2	PC600V	COVER ADULT OCC/R'VSD DARTEXX	10	PCSO5RL	COVER RIGHT SZ5 SUB-OCC/LYCRA
2	PC600F	COVER ADULT OCCIPITAL/FLEECE	10	PCSO5LV	COVER LEFT SZ5 SUB-OCC/RD
3	PFSO1L	REFOAM KIT LFT SIZE1 SUB-OCC	10	PCSO5RV	COVER RIGHT SZ5 SUB-OCC/RD
3	PFSO1R	REFOAM KIT LFT SIZE1 SUB-OCC	10	PCSO5LF	COVER LEFT SZ5 SUB-OCC/FLEECE
4	PCSO1LL	COVER LEFT SZ1 SUB-OCC/LYCRA	10	PCSO5RF	COVER RIGHT SZ5 SUB-OCC/FLEECE
4	PCSO1RL	COVER RIGHT SZ1 SUB-OCC/LYCRA	11	PF800	REFOAM KIT 8"PLUSH
4	PCSO1LV	COVER LEFT SZ1 SUB-OCC/RD	12	PC800L	COVER, 8" PLUSH, LYCRA
4	PCSO1RV	COVER RIGHT SZ1 SUB-OCC/RD	12	PC800V	COVER, 8" PLUSH, DR
4	PCSO1RF	COVER RIGHT SZ1 SUB-OCC/FLEECE	13	MW027100	COLLAR HALF RAD 3/4" THD. BLCK
4	PCSO1LF	COVER LEFT SZ1 SUB-OCC/FLEECE	14	MF014600	1/4-28 X 5/8" SHCS-COLLAR BOLT
5	PFSO2L	REFOAM KIT LFT SIZE2 SUB-OCC	15	MC100-WB	COVER 3/4" COLLAR/VINYL BLACK
5	PFSO2R	REFOAM KIT RIGHT SIZE2 SUB-OCC	1,3	PF1	COVER LEFT SZ1 SUB-OCC/LYCRA
6	PCSO2LL	COVER LEFT SZ2 SUB-OCC/LYCRA	1,5	PF2	COVER RIGHT SZ1 SUB-OCC/LYCRA
6	PCSO2RL	COVER RIGHT SZ2 SUB-OCC/LYCRA	2,4	PC1L	COVER LEFT SZ1 SUB-OCC/RD
6	PCSO2LV	COVER LEFT SZ2 SUB-OCC/RD	2,4	PC1V	REFOAM KIT SOFT-1 PAD CONFIG
6	PCSO2RV	COVER RIGHT SZ2 SUB-OCC/RD	2,4	PC1F	COVER SET SOFT-1/LYCRA
6	PCSO2RF	COVER RIGHT SZ2 SUB-OCC/FLEECE	2,6	PC2L	COVER SET SOFT-1 /VINYL
6	PCSO2LF	COVER LEFT SZ2 SUB-OCC/FLEECE	2,6	PC2V	COVER SET SOFT-1/FLEECE
7	PF1000	REFOAM KIT 10"PLUSH	2,6	PC2F	REFOAM KIT SOFT-2 PAD CONFIG
9	PFSO5L	COVER, 10" PLUSH, LYCRA	7,9	PF5	COVER SET SOFT-2/LYCRA
9	PFSO5R	COVER, 10" PLUSH, DR	8,10	PC5L	COVER SET SOFT-2 /VINYL
8	PC1000L	REFOAM KIT LFT SIZE5 SUB-OCC	8,10	PC5V	COVER SET SOFT-2/FLEECE

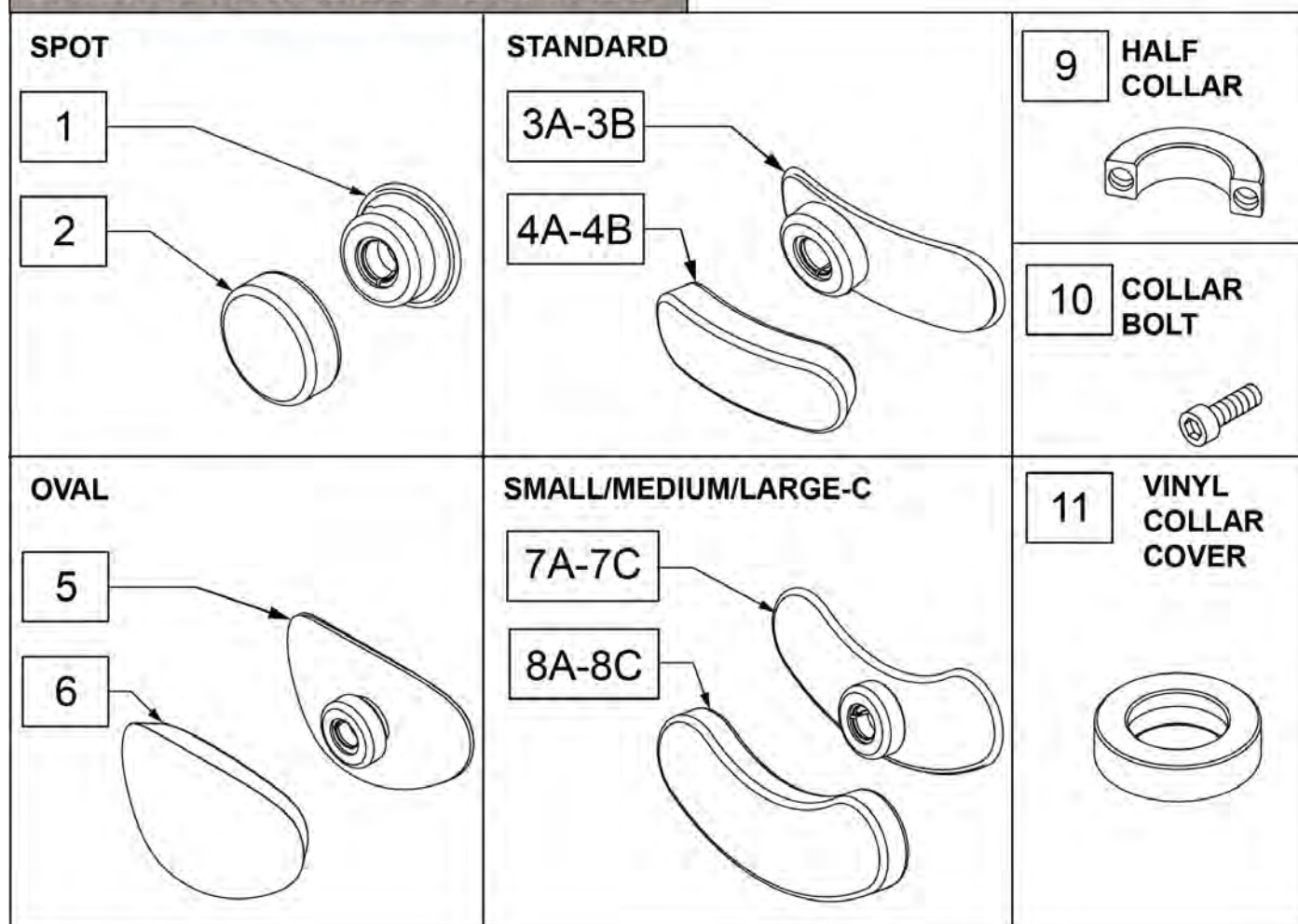
Pos.	Item Number	Description	Pos.	Item Number	Description
8,10	PC5F	PART NOT CREATED	4,12	PC8F	REFOAM KIT SOFT-8 PAD CONFIG
3,11	PF8	COVER SET SOFT-5/LYCRA	4,12	PC8L	COVER SET SOFT-8/LYCRA
4,12	PC8L	COVER SET SOFT-5 /VINYL	4,12	PC8V	COVER SET SOFT-8 /VINYL
4,12	PC8V	COVER SET SOFT-5/FLEECE	4,12	PC8F	COVER SET SOFT-8/FLEECE



Pos.	Item Number	Description	Pos.	Item Number	Description
1	PF500	REFOAM KIT PED REAR/STD LAT	10	PCSO6RF	COVER RIGHT SZ6 SUB-OCC/FLEECE
2	PC500L	COVER PED OCCIPITAL/LYCRA	10	PCSO6RL	COVER RIGHT SZ6 SUB-OCC/LYCRA
2	PC500V	COVER OCC PED/2 1/4X5 LAT/RD	10	PCSO6RV	COVER RIGHT SZ6 SUB-OCC/RD
3	PFSO3L	REFOAM KIT LFT SIZE3 SUB-OCC	10	PCSO4RL	COVER RIGHT SZ4 SUB-OCC/LYCRA
3	PCSO3LF	COVER LEFT SZ3 SUB-OCC/FLEECE	10	PCSO4LV	COVER LEFT SZ4 SUB-OCC/RD
3	PCSO3RF	COVER RIGHT SZ3 SUB-OCC/FLEECE	10	PCSO4RV	COVER RIGHT SZ4 SUB-OCC/RD
3	PCSO4LF	COVER LEFT SZ4 SUB-OCC/FLEECE	11	PF800	REFOAM KIT 8"PLUSH
3	PCSO4RF	COVER RIGHT SZ4 SUB-OCC/FLEECE	12	PC800L	COVER, 8" PLUSH, LYCRA
3	PFSO3R	REFOAM KIT RIGHT SIZE3 SUB-OCC	12	PC800V	COVER, 8" PLUSH, DR
4	PCSO3LL	COVER LEFT SZ3 SUB-OCC/LYCRA	13	MW027100	COLLAR HALF RAD 3/4" THD. BLCK
4	PCSO3RL	COVER RIGHT SZ3 SUB-OCC/LYCRA	14	MF014600	1/4-28 X 5/8" SHCS-COLLAR BOLT
4	PCSO3LV	COVER LEFT SZ3 SUB-OCC/RD	15	MC100-WB	COVER 3/4" COLLAR/VINYL BLACK
4	PCSO3RV	COVER RIGHT SZ3 SUB-OCC/RD	1,3	PF3	REFOAM KIT SOFT-3 PAD CONFIG
5	PF600	REFOAM KIT ADULT OCC/4"X 6"LAT	2,4	PC3L	COVER SET SOFT-3/LYCRA
6	PC600L	COVER, ADULT OCCIPITAL/LYCRA	2,4	PC3V	COVER SET SOFT-3/DR
6	PC600V	COVER ADULT OCC/R'VSD DARTEXX	2,4	PC3F	COVER SET SOFT-3/FLEECE
7	MF020310	FOAM PED OCC / 2 1/4"X 5"LAT	3,5	PF4	REFOAM KIT SOFT-4 PAD CONFIG
8	PC500L	COVER PED OCCIPITAL/LYCRA	3,11	PF7	REFOAM KIT SOFT 7 PAD CONFIG
8	PC500V	COVER OCC PED/2 1/4X5 LAT/RD	4,6	PC4L	COVER SET SOFT-4 /LYCRA
9	MF020252	FOAM PRO LFT/RGT SZ 4 SUB-OCC	4,6	PC4V	COVER SET SOFT-4 /VINYL
10	PCSO4LL	COVER LEFT SZ4 SUB-OCC/LYCRA	4,6	PC4F	COVER SET SOFT-4/FLEECE
10	PCSO6LF	COVER LEFT SZ6 SUB-OCC/FLEECE	4,12	PC7L	COVER SET SOFT-7/LYCRA
10	PCSO6LL	COVER LEFT SZ6 SUB-OCC/LYCRA	4,12	PC7V	COVER SET SOFT 7/DR
10	PCSO6LV	COVER LEFT SZ6 SUB-OCC/RD	4,12	PC7F	COVER SET SOFT-7/FLEECE

Pos.	Item Number	Description	Pos.	Item Number	Description
7,9	PF6	REFOAM KIT SOFT-6 PAD CONFIG	8,10	PC6V	COVER SET SOFT-6/VINYL
8,10	PC6L	COVER SET SOFT-6/LYCRA	8,10	PC6F	COVER SET SOFT-6/FLEECE

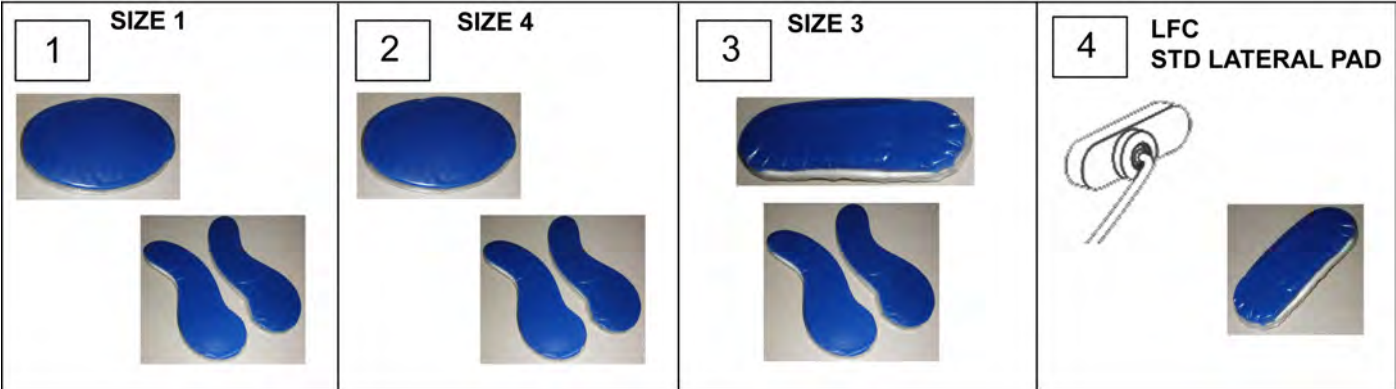
LATERAL FACIAL SUPPORT PADS



Pos.	Item Number	Description	Remarks
1	MW027855	PANEL PRO SPOT BLK	PANEL ONLY
2	PC10F	COVER 2"LATERAL/FLEECE	COVER ONLY
2	PC10L	COVER LATERAL SPOT LYCRA	COVER ONLY
2	PC10V	COVER 2"LATERAL/R'VSD DARTEXX	COVER ONLY
1,2	PL10L	LF PAD, SPOT, LYCRA	INCLUDES FOAM
1,2	PL10V	LF PAD, SPOT REVERSE DARTEX	INCLUDES FOAM
3A	MW027810	PANEL PRO LAT STND ECTD. BLK	PANEL ONLY
3B	MW027700	PANEL PRO T-BAR PLATE BLACK	PANEL ONLY
4A	PC15F	COVER LATERAL FLEECE	COVER ONLY
4A	PC15L	COVER STND LATERAL/LYCRA	COVER ONLY
4A	PC15V	COVER LATERAL REVERSE DARTEX	COVER ONLY
4B	PC20F	CVR 2 1/4"X 7" LONG LAT/FLEECE	COVER ONLY
4B	PC20L	CVR 2 1/4"X 7" LONG LAT/LYCRA	COVER ONLY
4B	PC20V	CVR 2 1/4"X 7" LONG LAT REVERSE DARTEX	COVER ONLY
3A,4A	PL15L	LF PAD, STANDARD, LYCRA	INCLUDES FOAM
3A,4A	PL15V	LF PAD, STANDARD REVERSE DARTEX	INCLUDES FOAM
3B,4B	PL20L	LF PAD, LONG, LYCRA	INCLUDES FOAM
3B,4B	PL20V	LF PAD, LONG REVERSE DARTEX	INCLUDES FOAM
5	MW019705	PNL PLUSH 8" W/VELCRO & COLLAR	INCLUDES FOAM

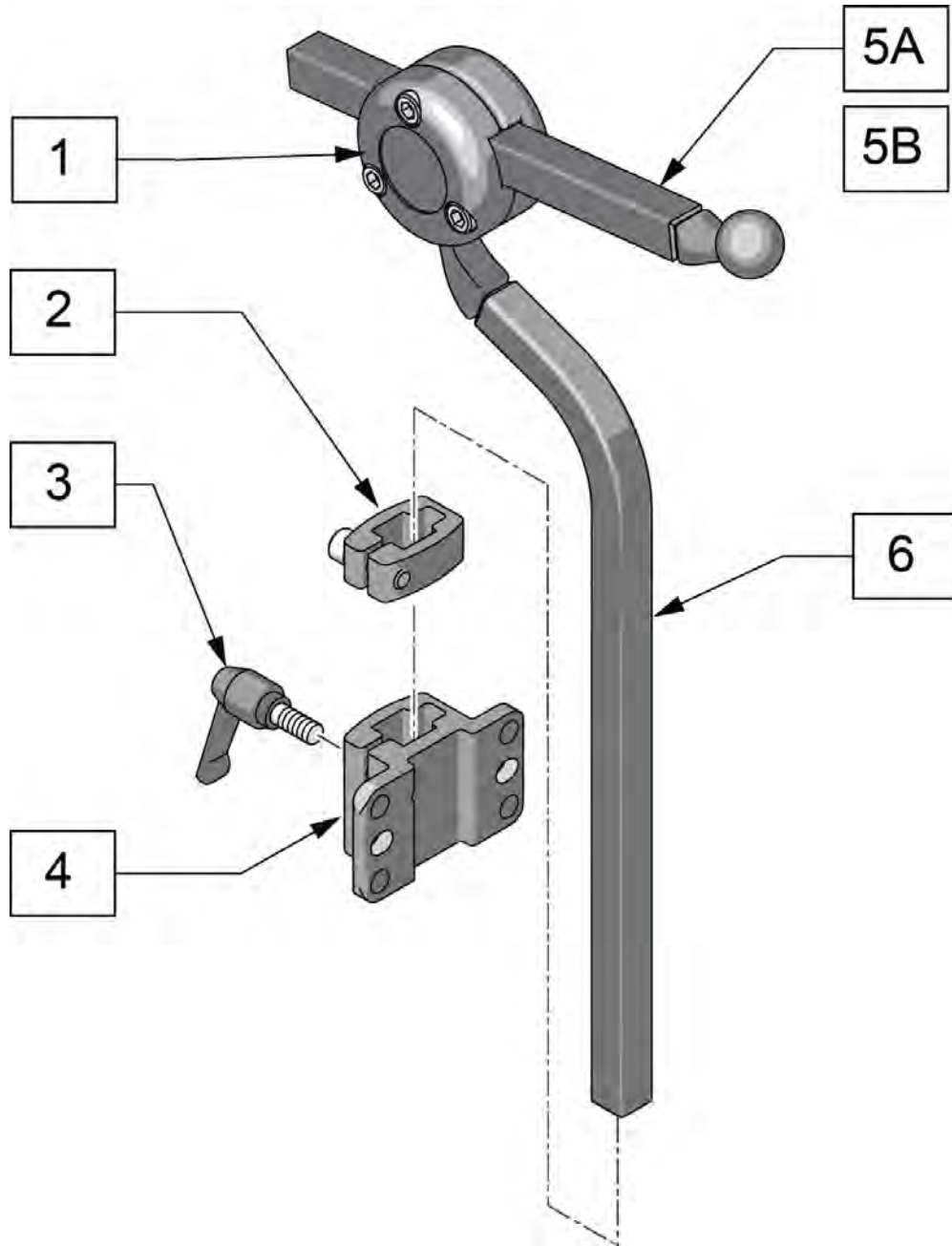
Pos.	Item Number	Description	Remarks
6	PC600L	COVER, ADULT OCCIPITAL/LYCRA	COVER ONLY
6	PC600V	COVER ADULT OCC REVERSE DARTEX	COVER ONLY
6	PC600F	COVER ADULT OCCIPITAL/FLEECE	COVER ONLY
5,6	P600L	OCCIP PAD, ADULT, LYCRA	INCLUDES FOAM
5,6	P600V	OCCIP PAD, ADULT REVERSE DARTEX	INCLUDES FOAM
7A	MW027100	COLLAR HALF RAD 3/4" THD BLCK	PANEL ONLY
7B	MW027817	PANEL PRO LATERAL "C" MED BLK	PANEL ONLY
7C	MW027820	PANEL PRO LATERAL "C" LRG BLK	PANEL ONLY
8A	PC40L	CVR SML C 1 1/4" X 4" LAT/LYCRA	COVER ONLY
8A	PC40V	CVR SML C 1 1/4" X 4" LAT/RD	COVER ONLY
8A	PC40F	CVR SML C 1 1/4" X 4" LAT/FLEECE	COVER ONLY
8B	PC35F	COVER MED C 1 3/4" X 5" LAT/FLEE	COVER ONLY
8B	PC35L	COVER MED C 1 3/4" X 5" LAT/LYCR	COVER ONLY
8B	PC35V	COVER MED C 1 3/4" X 5" LAT REVERSE DARTEX	COVER ONLY
8C	PC30F	COVER LRG C 2" X 6" LAT/FLEECE	COVER ONLY
8C	PC30L	COVER LRG C 2" X 6" LAT/LYCRA	COVER ONLY
8C	PC30V	COVER LRG C 2" X 6" LAT REVERSE DARTEX	COVER ONLY
7A,8A	PL40L	LF PAD, SM C, LYCRA	INCLUDES FOAM
7A,8A	PL40V	LF PAD, SM C REVERSE DARTEX	INCLUDES FOAM
7B,8B	PL35L	LF PAD, MED C, LYCRA	INCLUDES FOAM
7B,8B	PL35V	LF PAD, MED C REVERSE DARTEX	INCLUDES FOAM
7C,8C	PL30L	LF PAD, LARGE C, LYRCA	INCLUDES FOAM
7C,8C	PL30V	LF PAD, LARGE C REVERSE DARTEX	INCLUDES FOAM
9	MW027100	COLLAR HALF RAD 3/4" THD. BLCK	
10	MF014600	1/4-28 X 5/8" SHCS-COLLAR BOLT	
11	MC100-WB	COVER 3/4" COLLAR/VINYL BLACK	

S.O.F.T GEL PAD INSERTS



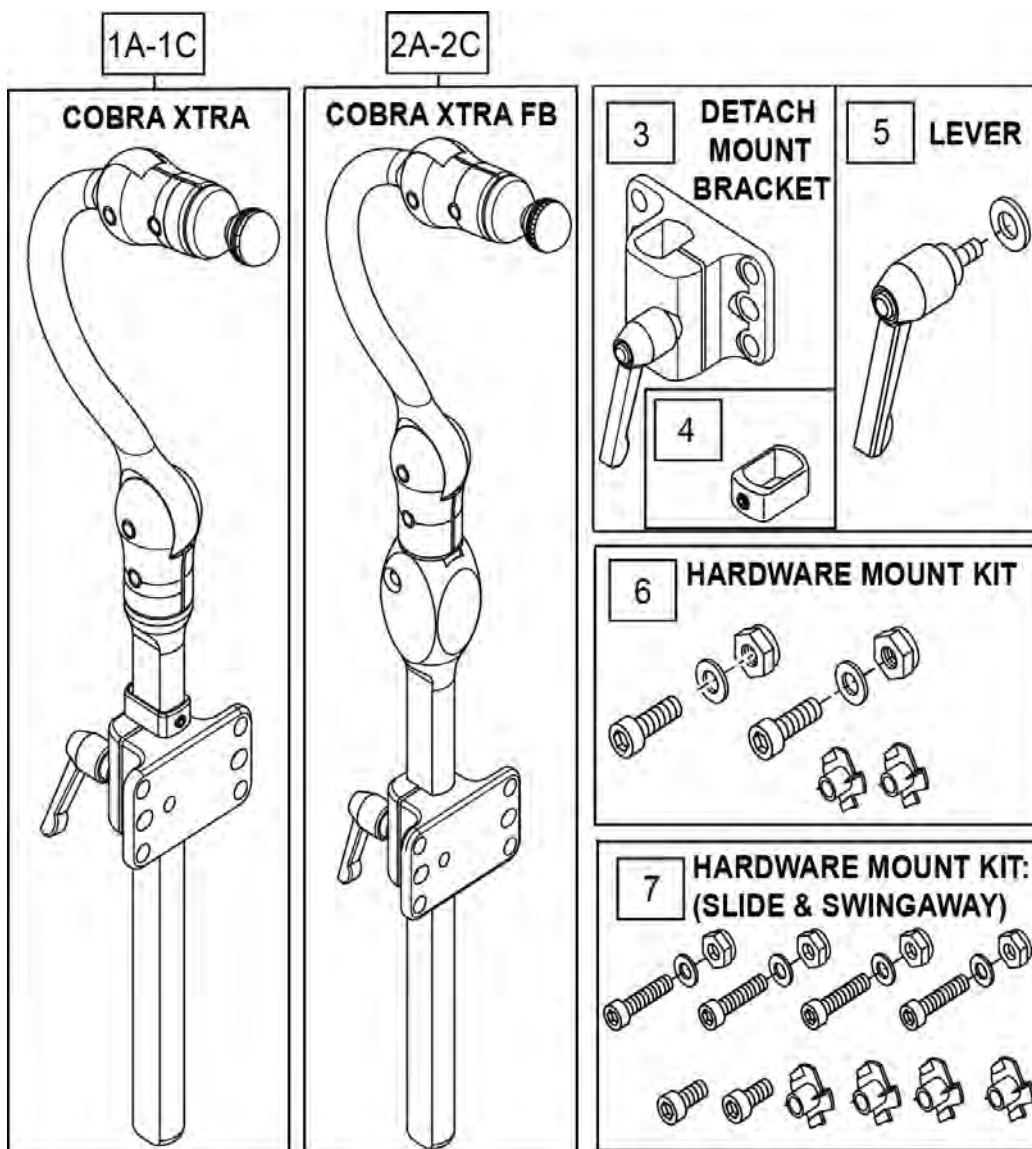
Pos.	Item Number	Description
1	PG1	GEL INSERTS SOFT-1
2	PG4	GEL INSERTS SOFT-4
3	PG3	GEL INSERTS SOFT-3
4	PG500	GEL INSERT PED OCC/STD LAT

Note: if using the Headrest Post on a Quicke Power Chair, please refer to the HEADREST CLAMPS page located in the appropriate power chair parts manual.



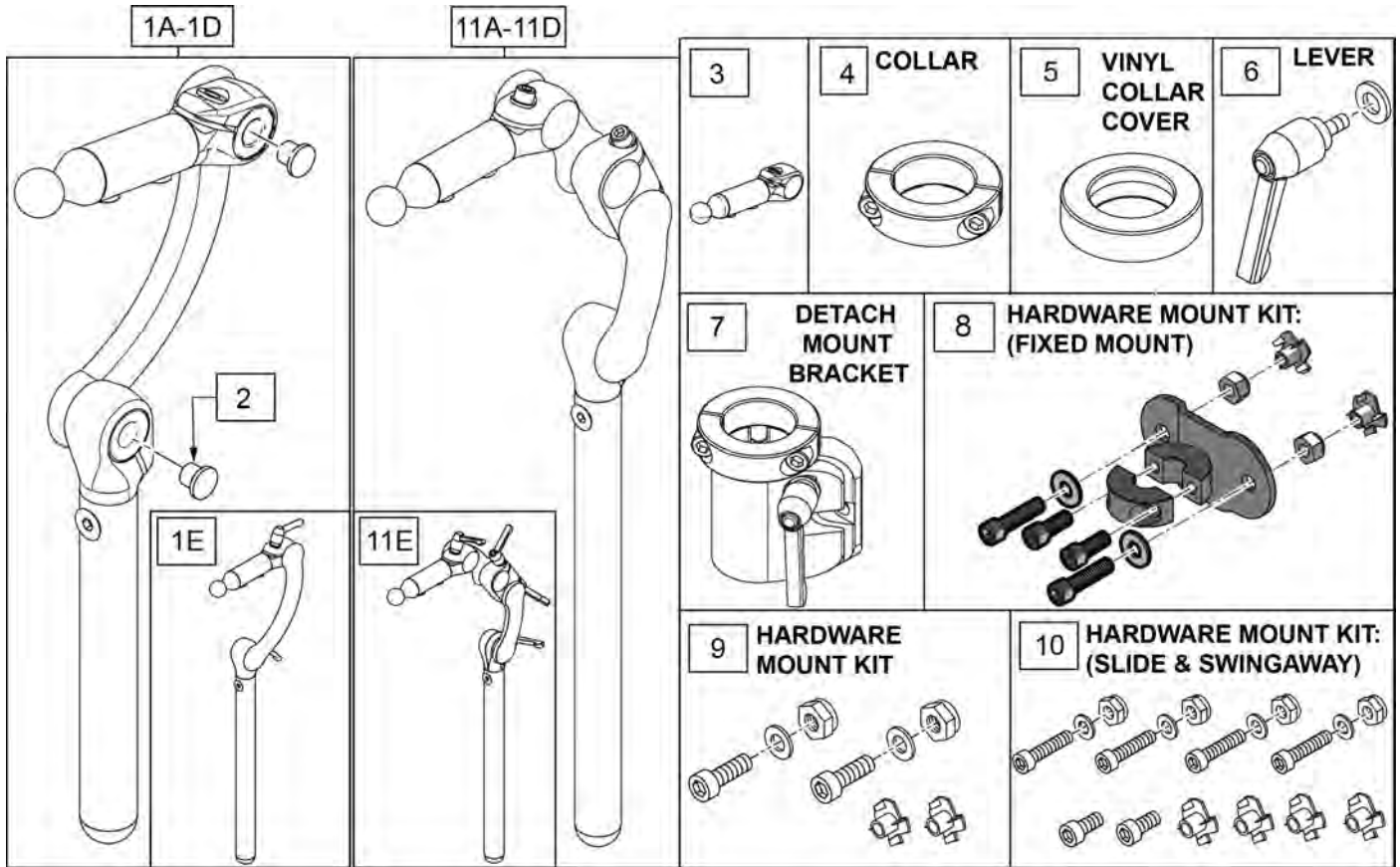
Pos.	Item Number	Description
5A	AX5080	BALLROD AXYS 6" SQUARE BLACK
5B	AX6055	AXYS 12" SQ HORIZ BAR BLK
6	MW070300	AXYS VERT ROD BLK
3,4	115215	J3 BK STD HD RST BRKT KIT
2-4	M2500	AXYS DETACH BRKT
1,5A,6	AX7010	AXYS CORE MOUNT HDWR

Note: if using the Headrest Post on a Quickie Power Chair, please refer to the HEADREST CLAMPS page located in the appropriate power chair parts manual.



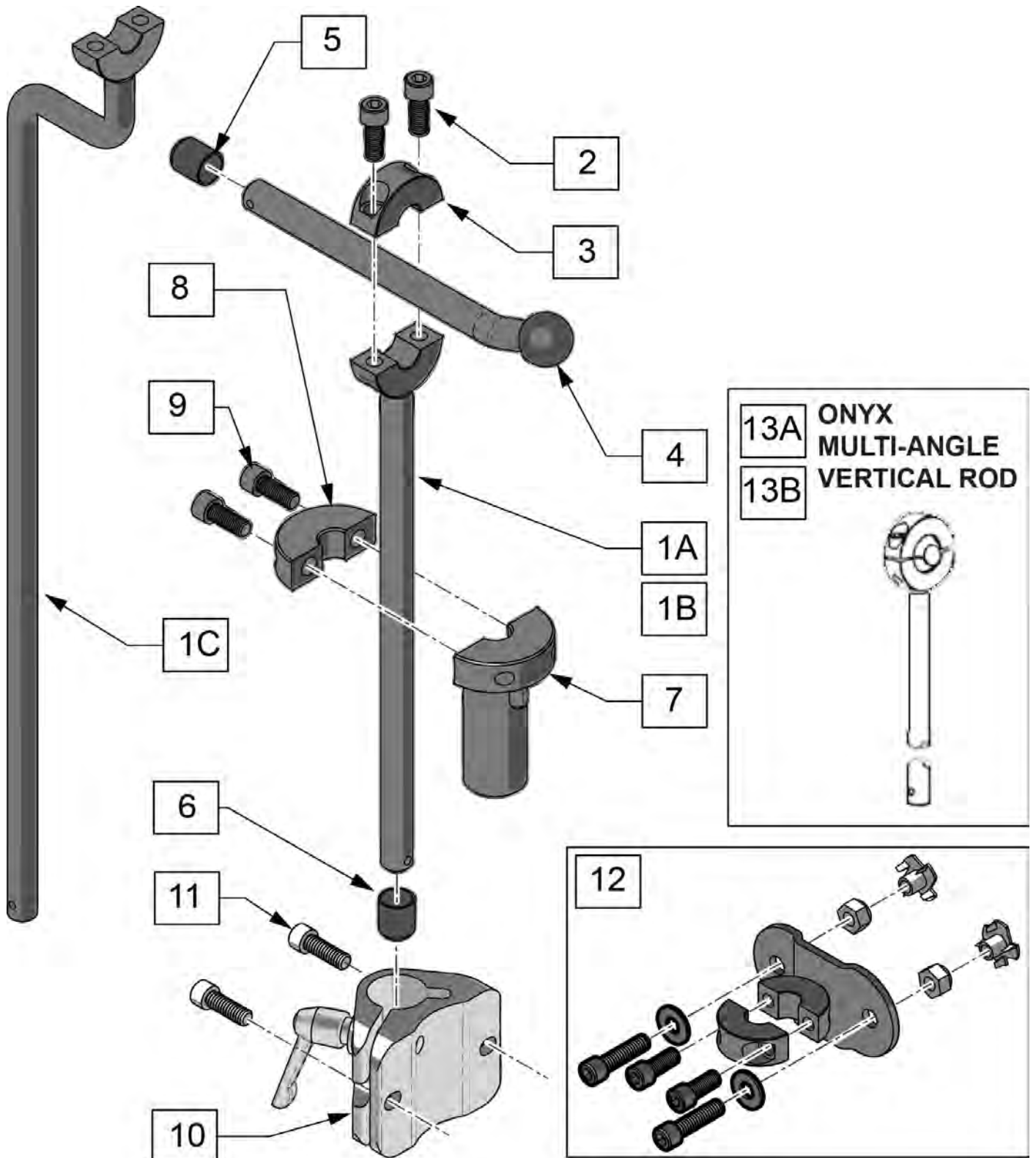
Pos.	Item Number	Description	Remarks
1A	CBRA7010	COBRA XTRA MOUNT HDW, ADUL	
1B	CBRA7030	COBRA XTRA MOUNT HDW, PED	
1C	CBRA7080	COBRA XTRA MOUNT HDW, EI	
2A	CBRA5030	COBRA XTRA FB MOUNT HDW, PED	
2B	CBRA5010	COBRA XTRA FB MOUNT HDW, ADUL	
2C	CBRA5080	COBRA XTRA FB MOUNT HDW, EI	
3	M2400-WB	COBRA XTRA DETACH BRKT	INCLUDES QTY 2 1/4-20 X 1/2" SHCS & WASHERS
4	MW070152	COBRA VERT STOP BLK	
5	M0030	KNOB PLAS ADJ LVR 1/4-20 X20mm	
6	M0055	FASTENER PACK DETACH	
7	M0075	FASTENER PACK SWINGAWAY MOUNT	

Note: if using the Headrest Post on a Quickie Power Chair, please refer to the HEADREST CLAMPS page located in the appropriate power chair parts manual.

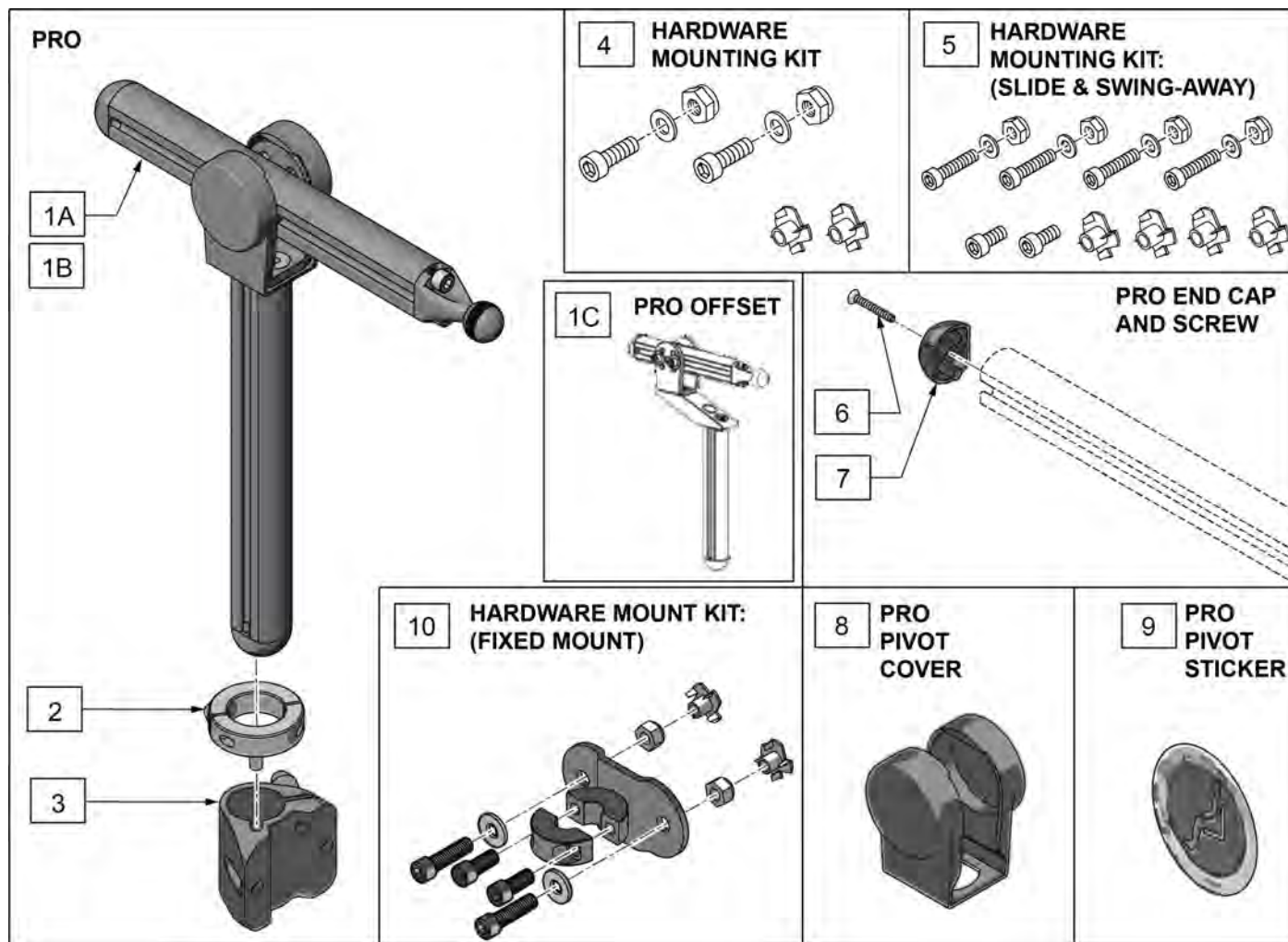


Pos.	Item Number	Description	Remarks
1A	LX7804	LINX CORE STDHRZ/4" VRT MOUNT	4" vertical post
1B	LX8000	LINX CORE MNTG HDW 8"	8" vertical post
1C	LX7000	LINX CORE MOUNT HDW	10" vertical post
1D	LX7815	LINX CORE STDHRZ/15" VRT MOUNT	15" vertical post
1E	LX7000Q	LINX CORE MOUNT HDW QUICK ADJ	
2	MW000680	CAP RATCHET FASTENER BLACK	
3	MW070400	LYNX SYS ASSM 2"	
4	MW006028	COL SPLIT SHFT 1-1/8" W/PIN BLK	
5	MC100-WB	COVER 3/4" COLLAR/VINYL BLACK	
6	M0030	KNOB PLAS ADJ LVR 1/4-20 X20mm	
7	M2300	LINX DETACH MOUNT BRKT	
8	M2375	MOUNT FIXED LINX 7/8" SURFACE	
9	M0055	FASTENER PACK DETACH	
10	M0075	FASTENER PACK SWINGAWAY MOUNT	
11A	LX27804	LINX2 CORE MOUNT HDW 4IN	
11B	LX28000	LINX2 CORE MOUNT HDW 8IN	
11C	LX27000	LINX2 CORE MOUNT HDW 10IN	
11D	LX27815	LINX2 CORE MOUNT HDW 15IN	
11E	LX27000Q	LINX2 CORE MNT HDW 10 QCK ADJ	

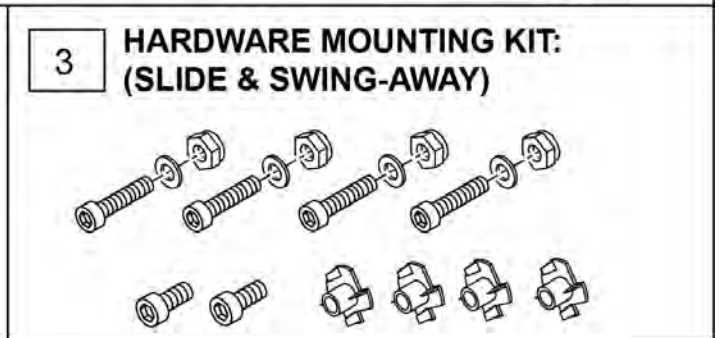
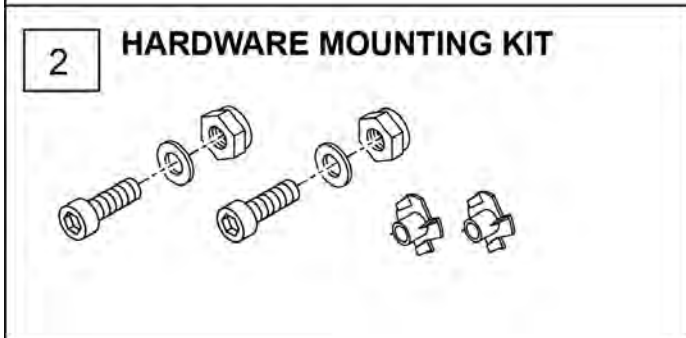
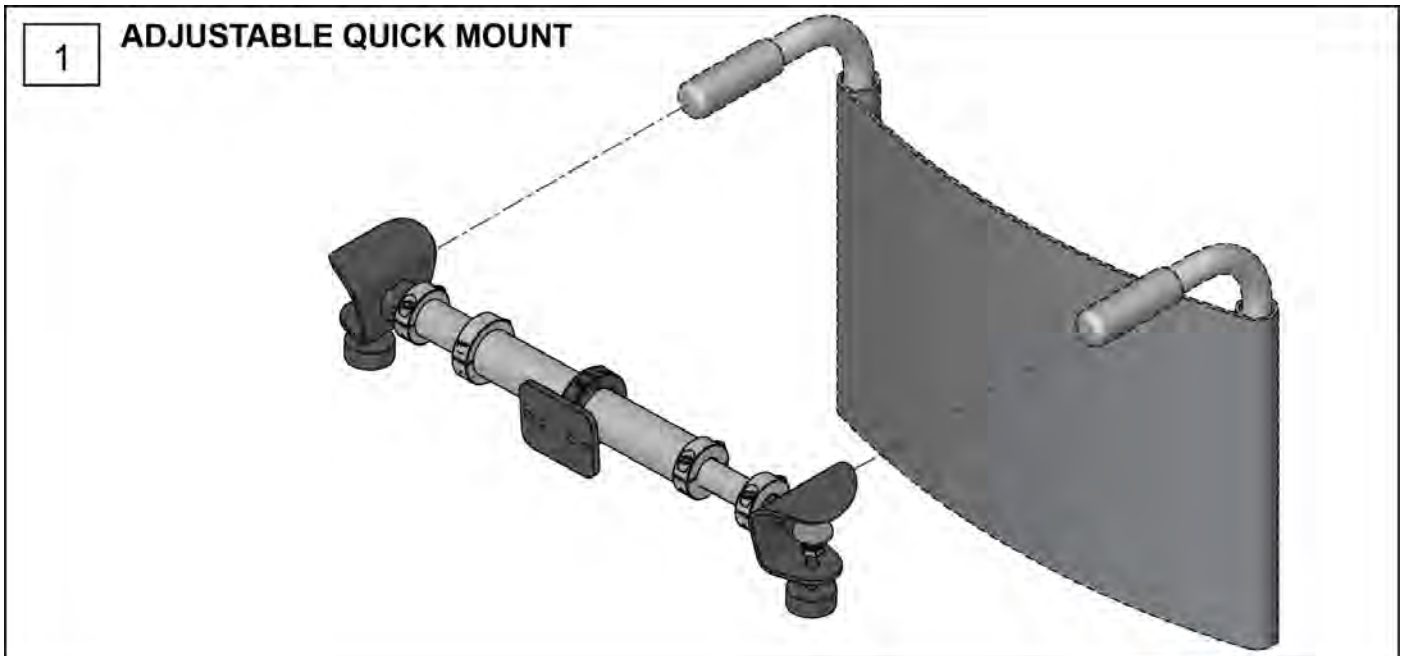
Note: Please order Mounting Bracket separately.



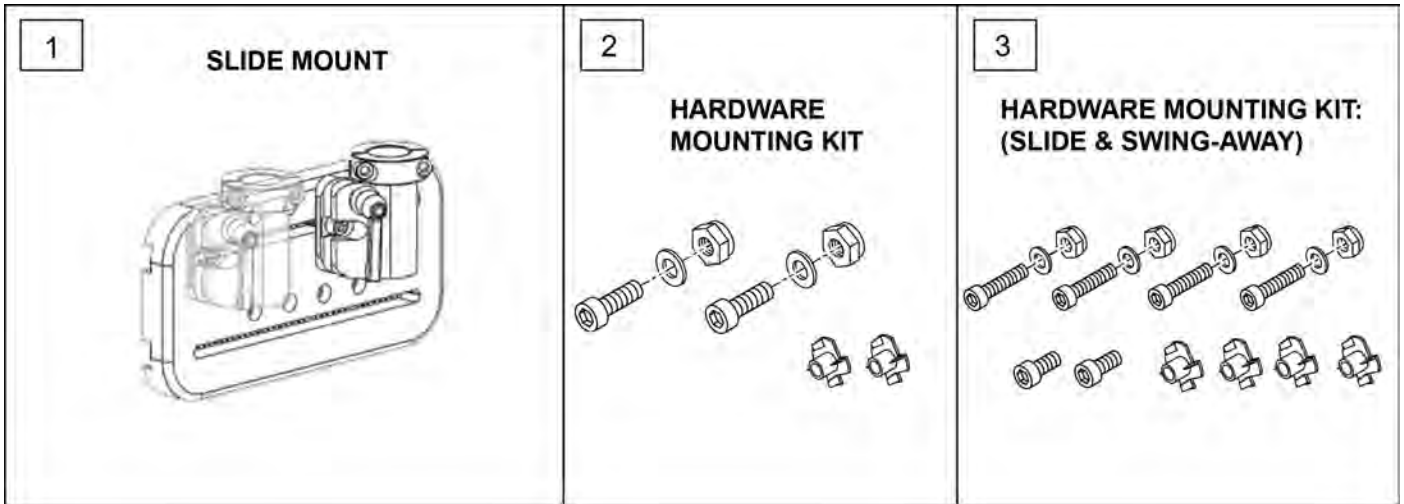
Pos.	Item Number	Description
1A	OX6012	VERTICAL ROD 12" ONYX
1B	OX6008	BALLROD ONYX 8" VERTICAL
1C	OX6030	VERT ROD, 17.5" ONYX W/OFF-SET
4	MW004605	BALLROD 8" FIXD 3/4 W/20DG, BLK
5	MW000800	ENDCAP 7/16 ID VINYL BLK
12	M2175	MOUNT FIXED ONYX 7/16
13A	OX6035	MULTI-ANG VERT ROD, 12" ONYX
13B	OX6050	VERTICAL ROD 12"SQUARE ONYX
1A,2-6	OX7010	ONYX CORE MOUNT HDW, ADULT
1B,2-6	OX7030	ONYX CORE MOUNT HDW, PED
1C,2-6	OX6010	ONYX CORE OFFSET BAR MNTG HDW
7-11	M2100-WB	ONYX DETACH MOUNT BRKT



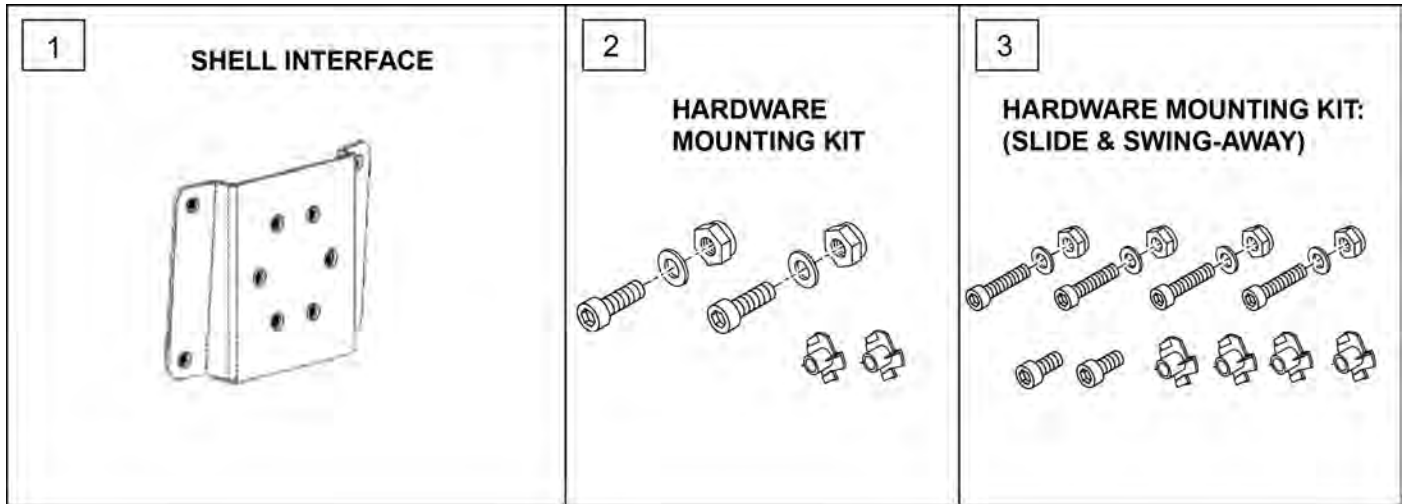
Pos.	Item Number	Description	Remarks
1A	PRC7010	PRO CORE MOUNT HDW, ADULT	Adult
1B	PRC7030	PRO CORE MOUNT HDW, PED	Ped
1C	PRC7070	PRO CORE MOUNT HDW, OFF-SET	Off-set
2,3	M2200-WB	PRO DETACH MOUNT BRKT	
4	M0055	FASTENER PACK DETACH	
5	M0075	FASTENER PACK SWINGAWY MOUNT	
6	MF014765	6-32 X 1 FH PH MS (END CAP)	
7	PRC2110	ENDCAP, PRO ABS, BLK	
8	PRC2122	PLAS HORIZONTAL PIVOT, BLK	
9	MF014925	STICKER DOMED	
10	M2275	MOUNT FIXED PRO 1-1/8" SURFACE	



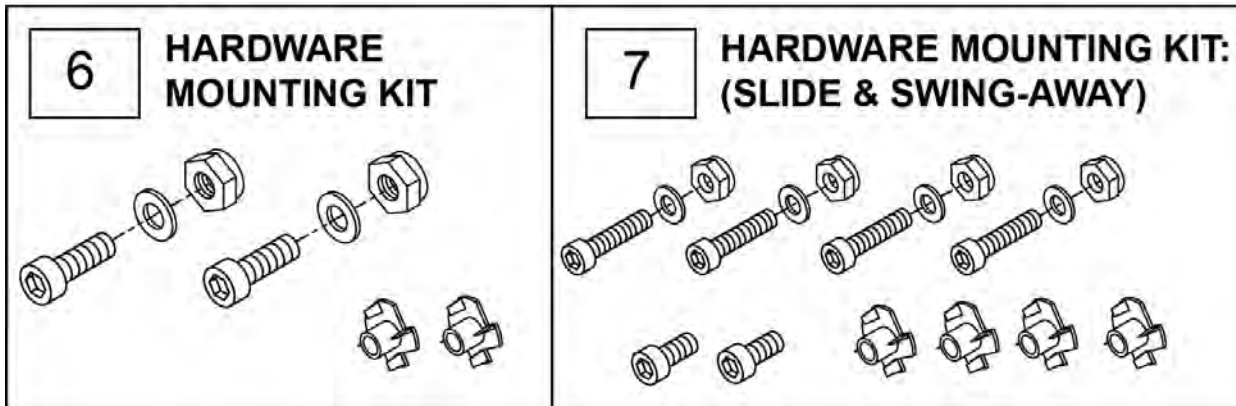
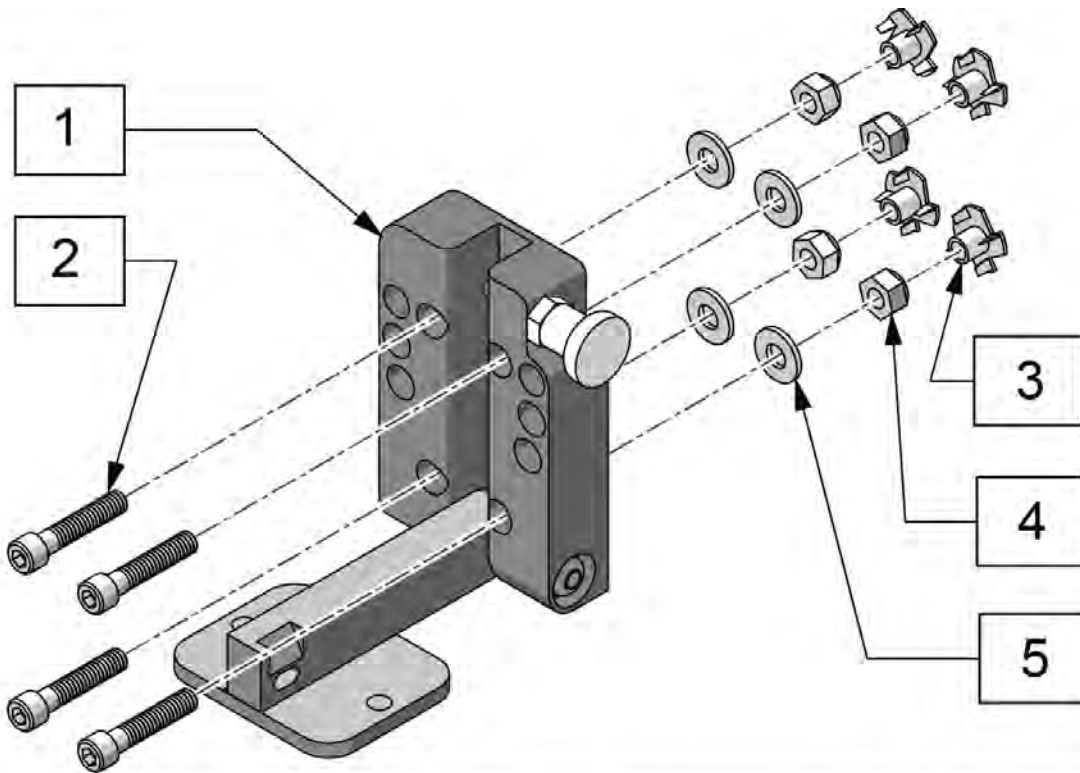
Pos.	Item Number	Description
1	M7000	ADJUSTABLE QUICK MOUNT
2	M0055	FASTENER PACK DETACH
3	M0075	FASTENER PACK SWINGAWAY MOUNT



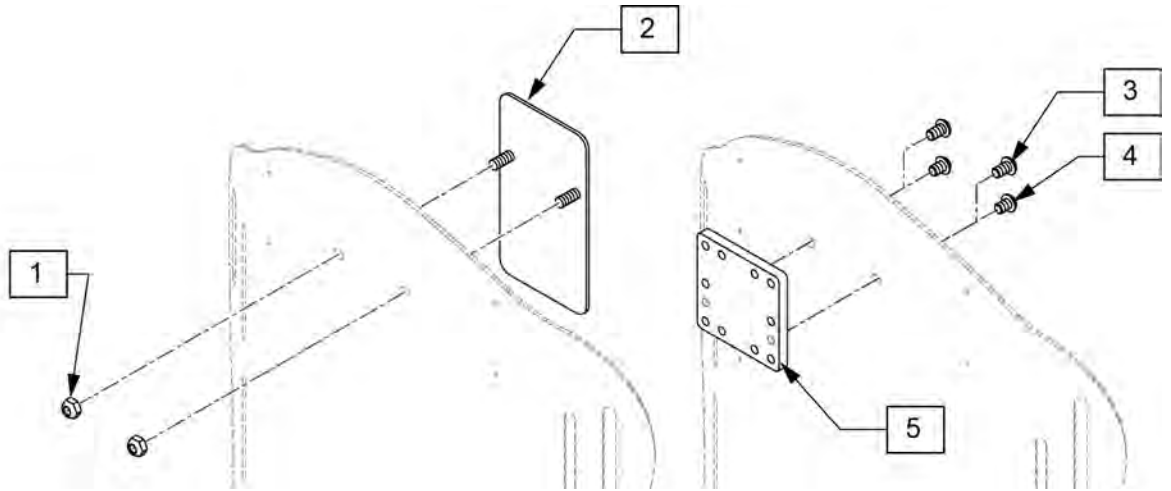
Pos.	Item Number	Description
1	M7010	SLIDE MOUNT PLATE
2	M0055	FASTENER PACK DETACH
3	M0075	FASTENER PACK SWINGAWAY MOUNT



Pos.	Item Number	Description
1	M1010	PLAS SHELL IF PLATE
2	M0055	FASTENER PACK DETACH
3	M0075	FASTENER PACK SWINGAWAY MOUNT

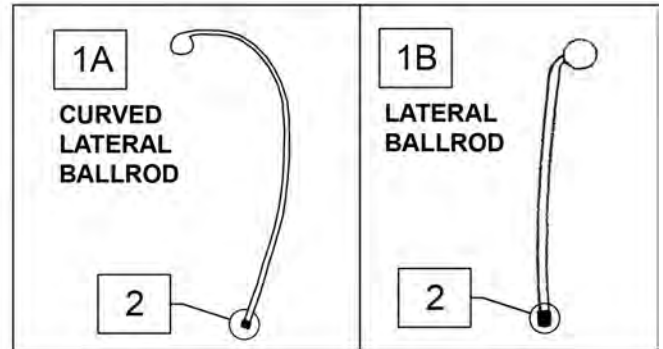


Pos.	Item Number	Description	Remarks
1-5	M5000	WHIT SWINGAWAY MOUNT BRKT	
1-5	M5100	ONYX MOUNTING BRKT, SWINGAWAY	includes Onyx removable mounting bracket
1-5	M5200	PRO MOUNTING BRKT, SWINGAWAY	includes Pro removable mounting bracket
1-5	M5300	LINX MOUNTING BRKT, SWINGAWAY	includes Linx removable mounting bracket
6	M0055	FASTENER PACK DETACH	
7	M0075	FASTENER PACK SWINGAWAY MOUNT	

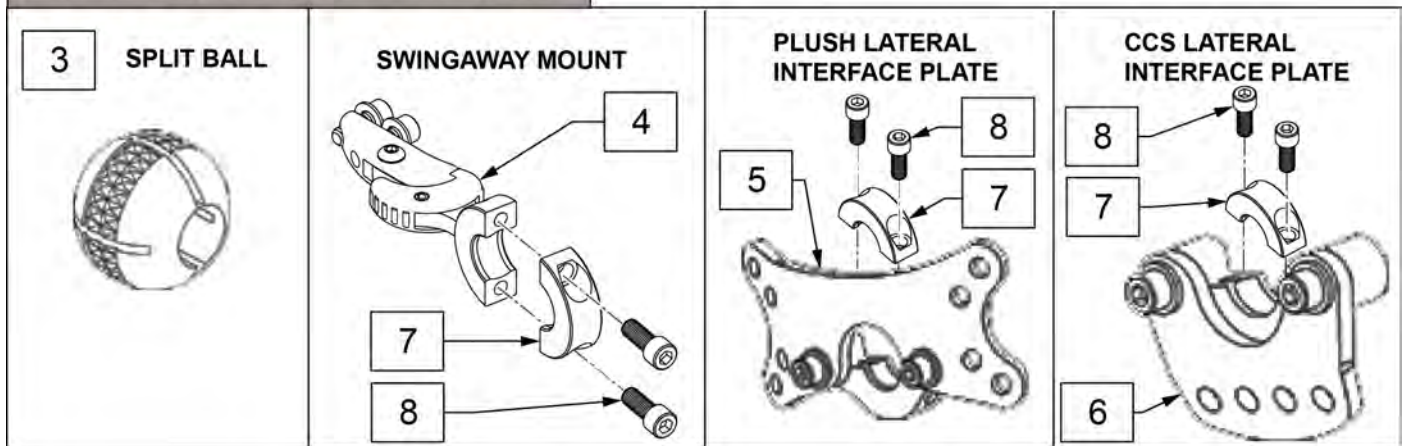


Pos.	Item Number	Description	Remarks
3-5	J3UHM	HEADREST PLATE ASSY	Required when using any after-market headrest or old style Quickie Headrest where the Universal Headrest Mounting Plate is required to mount Headrest to a J3 Back
1-4	J3HDP	HEADREST BAG-O-BOLTS	Use for Whitmyer Style Headrest Assemblies

BILATERAL

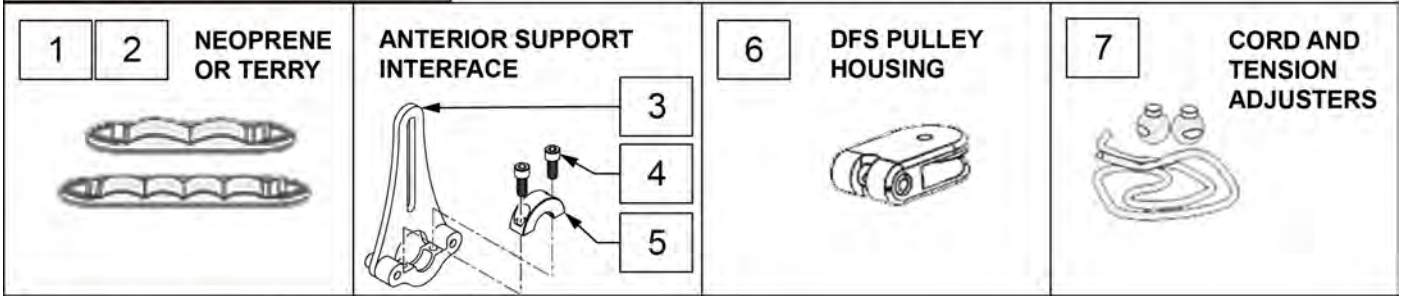


LATERAL FACIAL SUPPORT PARTS

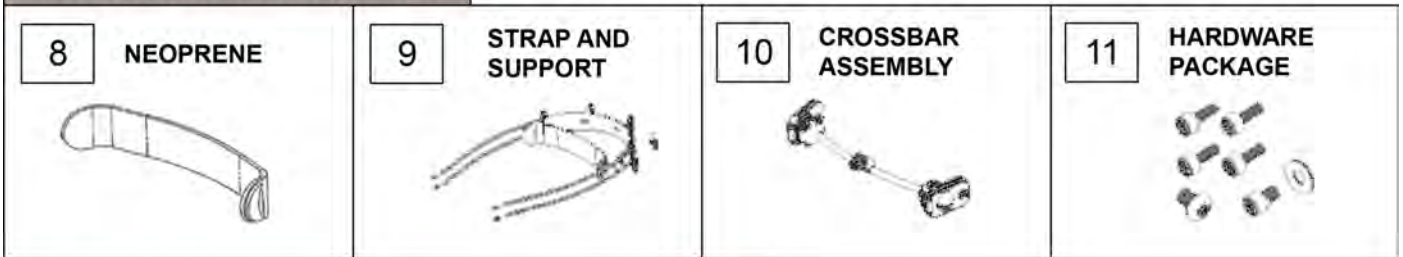


Pos.	Item Number	Description
1A	LM1090	BALLROD, 3/4" CURVED LATERAL
1B	LM1010	LF CURVD BALLROD/SPLIT BALL HDW
2	MW000700	ENDCAP 5/16ID VINYL BLK
3	LM1100	3/4" SPLITBALL W/5/16"BORE SS
7	MW027090	COL HALF RAD 3/4" NOTHREAD BLK
8	MF014600	1/4-28 X 5/8" SHCS-COLLAR BOLT
4,7,8	LM115	LFC MOUNT, SWINGAWAY
5,7,8	LM-PL	PLUSH LAT INTERFACE PLATE
6-8	LM-CCS	CONT CRADLE LAT INTERPLATE

ANTERIOR SUPPORTS DFS



ANTERIOR SUPPORTS DFS2



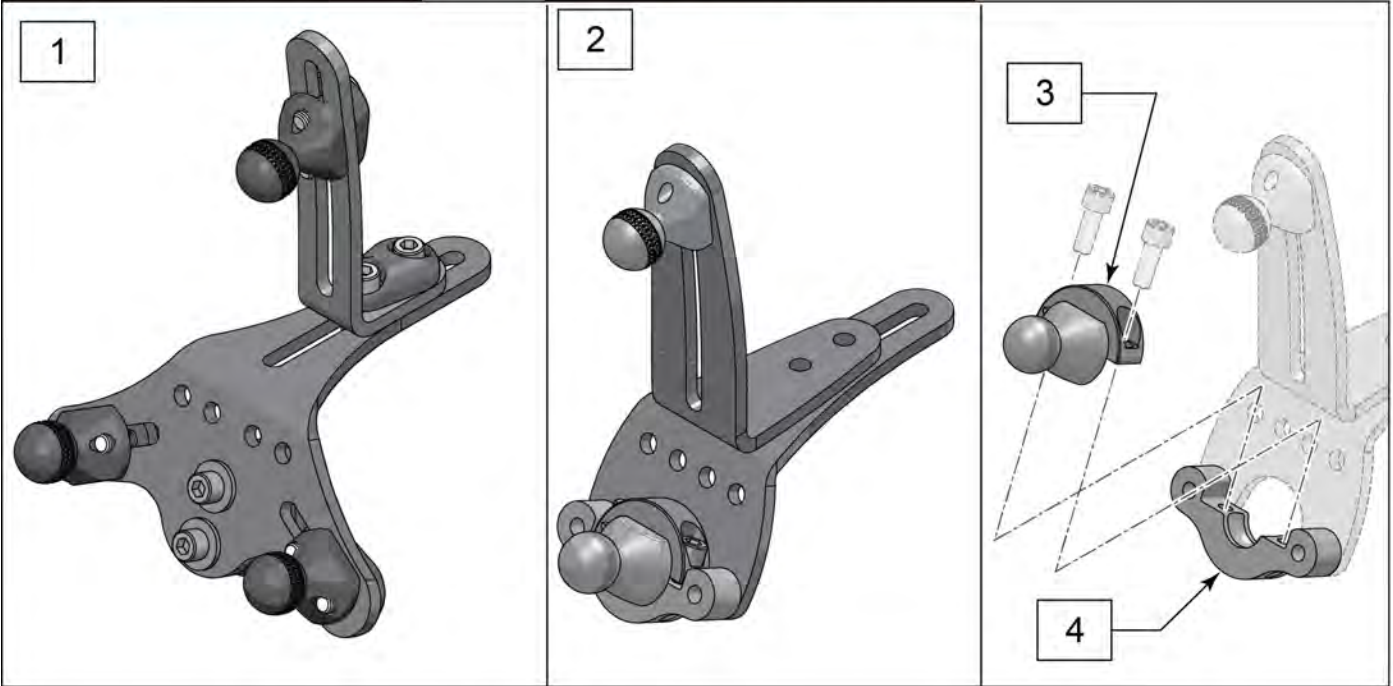
ANTERIOR AND LATERAL SUPPORTS INFANT



Pos.	Item Number	Description
1	D1017	DFS STRAP ADULT (TAS) BLK
1	D1028	DFS STRAP PEDIATRIC (TAS) BLK
2	D1018	DFS STRAP ADULT (NAS) BLK
2	D1027	DFS STRAP PEDIATRIC (NAS) BLK
4	MF014600	1/4-28 X 5/8" SHCS-COLLAR BOLT
5	MW027090	COL HALF RAD 3/4" NOTHREAD BLK
3-5	D1010	ANT INTER PLATE, SINGLE PAD
6	D1015	DFS PULLEY HOUSING W/HRDWR
7	D1013	DFS CORD & 2 TENSION ADJ BALLS
8	D2018	NEOPRENE AGAINST SKIN ADULT
8	D2027	NEOPRENE AGAINST SKIN PED
9	DQ1010	STRAP AND SUPPORT ADULT
9	DQ3010	STRAP AND SUPPORT PED
10	DQ-CBA1	CROSSBAR ASSEMBLY ADULT
10	DQ-CBA3	CROSSBAR ASSEMBLY PED
11	DQ-HDW	HARDWARE PACKAGE
4,5,12	INFT500	INF STATIC ANTERIOR SUP STRAP
13	INFT700	PAD INFANT UNILAT BABY FLEECE
14	INFT750	PAD INF BILAT-BABY FLEECE CVR

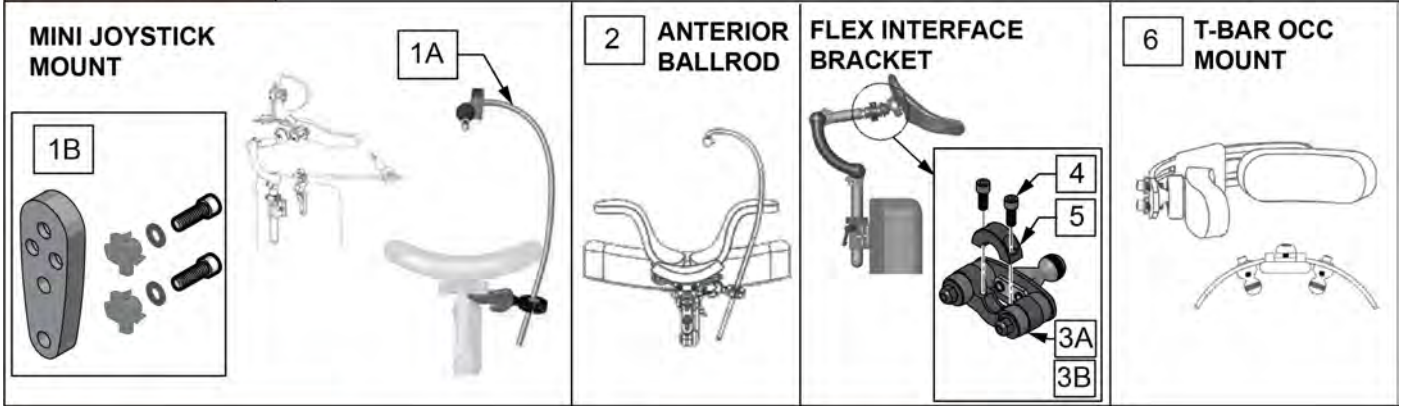
ADULT AND PEDIATRIC

SINGLE SUB-OCCIPITAL



Pos.	Item Number	Description	Remarks
1	M9375	S.O.F.T. BPA, DUAL SUB-OCC	complete assembly
2	M9275	S.O.F.T. BPA, SINGLE SUB-OCC	complete assembly
3	M9050	BOTTOM COLLAR ADPTR PLATED	
4	MF022110	BALL SSO COLLAR BALL 3/4 BLK	

ACCESSORIES



Pos.	Item Number	Description	Remarks
1A	LM1094	UNILAT MINI-JOYSTICK MT SYS	
1A	LM1092	UNILAT MIN-JOY MT W/PLUSH INTF	
1A	LM1093	UNILAT MINI-JOY MT W/CC INTERF	
1B	LM-CB	MT ANTERIOR CHAIR BACK INTERF	Attaches Mount directly to Back
2	LM2094	ANTER BALLROD MT SYS FOR SOFT	
2	LM2092	ANT BALLRD MT SY W/PLUSH INTF	
2	LM2093	ANT BALLRD MT SYS W/CCS INTRFC	
4	MF014600	1/4-28 X 5/8" SHCS COLLAR BOLT	
5	MW027090	COL HALF RAD 3/4" NOTHREAD BLK	
3A,4,5	M9450	FLEX INTERFACE BRKT	Utilizes Black Elastomers
3B,4,5	M9451	FLEX INTERFACE BRACKET, SOFT	Utilizes Grey Elastomers
6	PLT15L	OCCIPITAL T-BAR W/STND PADS,LY	
6	PLT15V	OCCIPITAL T-BAR W/STND PADS,RD	
6	PLT20L	OCCIPITAL T-BAR W/LONG PADS-LY	
6	PLT20V	OCCIPITAL T-BAR W/LONG PADS,RD	
7	MC100-WB	COVER 3/4" COLLAR/VINYL BLACK	
9	MW027100	COLLAR HALF RAD 3/4 THD BLK	
4,7-9	FSO-8	SWITCHDURA S.O.F.T. W/3/4"MT	
10	FSO-8A	DURA S.O.F.T. SWITCH	
10	F700-WB	AIR/DURA-SOFT SWITCH CLAMP	
11	T2500	TOOL KIT, WHITMYER	
12	242161	INFINITY DUAL MOUNT ASSEMBLY	Attaches multiple Rods to single Swing-away Mount

1

WHIT KIT - STD EVALUATION UNIT

Item Number	Description	Quantity
P300L	CONT CRADLE PAD, MED, LYCRA	1
P1400L	PLUSH PAD, 14", LYCRA	1
LM1100	3/4IN SPLIT BALL, SS	2
LM1090	BALLROD, 3/4" CURVED LATERAL	2
PL15L	LF PAD, STANDARD, LYCRA	2
PL10L	LF PAD, SPOT, LYCRA	2
D1010	ANT INTER PLATE, SINGLE PAD	1
LM-PL	PLUSH LAT INTERFACE PLATE	1
LM-CCS	CONT CRADLE LAT INTERPLATE	1
T2500	TOOL KIT WHITMYER	1
PSO1RL	SUB-OCC PAD, SIZE 1R, LYCRA	1
PSO3LL	SUB-OCC PAD, SIZE 3L, LYCRA	1
PSO3RL	SUB-OCC PAD, SIZE 3R, LYCRA	1
P500L-WB	OCCIP PAD, PED, LYCRA	1
PRC7012	PRO 12" VERT/HRZ ASSEMBLY	1
M9375	S.O.F.T. BPA, DUAL SUB-OCC	1
DFS1	DYN FOREHEAD STRAP, ADULT	1
P600L	OCCIP PAD, ADULT, LYCRA	1
LM115	LFC MOUNT SWING AWAY	2
M9900	MOUNT, T-BAR OCC. W/2 BALLS	1
PL20L	LF PAD, LONG, LYCRA	2
PSO1LL	SUB-OCC PAD, SIZE 1L, LYCRA	1
M2200-WB	PRO DETACH MOUNT BRKT	1
M7000	ADJUSTABLE QUICK MOUNT	1
BOLT LUBE	WHITMYER BOLT LUBE LABEL	1
MF000016	WHIT KIT BOX BOX ONLY MOD	1
P800L	PLUSH PAD, 8 IN LYCRA	1
P1000L	PAD 10" PLUSH/LYCRA	1

2

WHIT KIT - PED EVALUATION UNIT

Item Number	Description	Quantity
INFT200	PAD INF CONTRD CRADLE-BABYFL	1
P200L	CONT CRADLE PAD, SM, LYCRA	1
LM1100	3/4IN SPLIT BALL, SS	2
LM1090	BALLROD, 3/4" CURVED LATERAL	2
PL15L	LF PAD, STANDARD, LYCRA	2
PL10L	LF PAD, SPOT, LYCRA	2
INFT100	PAD INF SZ OCC - BABY FLEECE	1
INFT-L	PAD INF SZ LT SUB-O BABY FLEEC	1
INFT-R	PAD INF SZ RT SUB-O BABY FLEEC	1
OX6012	VERTICAL ROD 12"ONYX	1
OX5075	BROD ONYX 12"HRZ-3/4"W/BEND BL	1
D1010	ANT INTER PLATE, SINGLE PAD	1
LM-PL	PLUSH LAT INTERFACE PLATE	1
LM-CCS	CONT CRADLE LAT INTERPLATE	1
T2500	TOOL KIT WHITMYER	1
PSO3LL	SUB-OCC PAD, SIZE 3L, LYCRA	1
PSO3RL	SUB-OCC PAD, SIZE 3R, LYCRA	1
P500L-WB	OCCIP PAD, PED, LYCRA	1
M9375	S.O.F.T. BPA, DUAL SUB-OCC	1
INFT875	BASE PLATE ASSM INFANT 3 PIECE	1
DFS3	DYN FOREHEAD STRAP, PED	1
P600L	OCCIP PAD, ADULT, LYCRA	1
LM115	LFC MOUNT SWING AWAY	2
M9900	MOUNT, T-BAR OCC. W/2 BALLS	1
M2100-WB	ONYX DETACH MOUNT BRKT	1
INFT700	PAD INFANT UNILAT BABY FLEECE	1
INFT752	PAD INF LAT (ONLY)-BABY FLEECE	1
INFT500	INF STATIC ANTERIOR SUP STRAP	1
M7000	ADJUSTABLE QUICK MOUNT	1
BOLT LUBE	WHITMYER BOLT LUBE LABEL	1
P800L	PLUSH PAD, 8 IN LYCRA	1
P1000L	PAD 10" PLUSH/LYCRA	1

Pos.	Item Number	Description
1	KIT-100	WHIT KIT - STD EVALUATION UNIT
2	KIT-300	WHIT KIT - PED EVALUATION UNIT