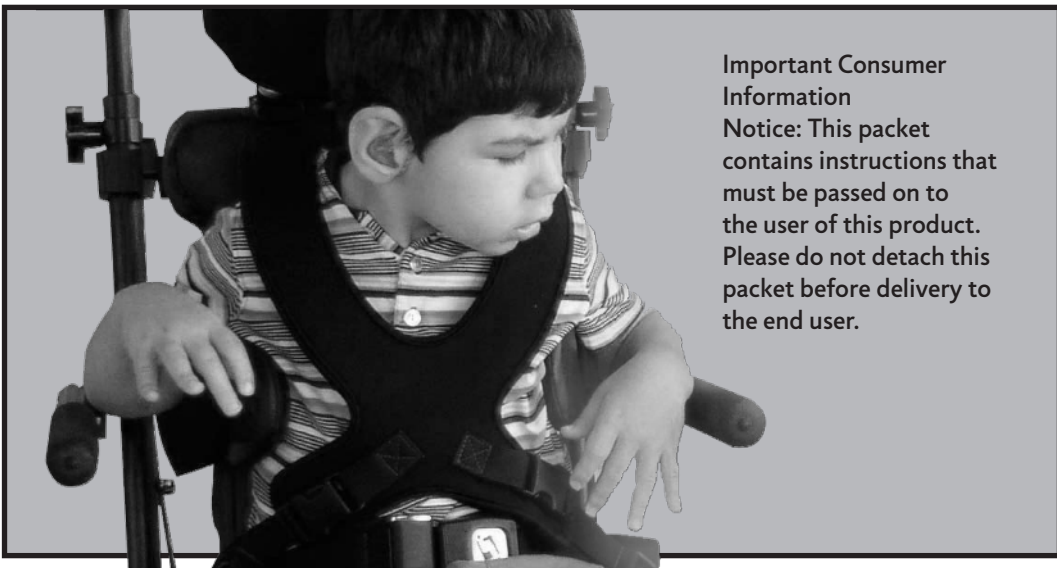


# Sunrise Transit Equipped Configured Seating

## Instruction Manual



### Important Consumer Information

Notice: This packet contains instructions that must be passed on to the user of this product. Please do not detach this packet before delivery to the end user.

## SUNRISE LISTENS

Thank you for choosing a transit approved Sunrise Configured Seating System. We want to hear your questions or comments about this manual, the safety and reliability of your seating system and the service you receive from your Sunrise supplier.

Be sure to maintain in a safe place all the instructions and manuals you received with your seating system. They contain important user and safety information and should be referred to often.

### FOR ANSWERS TO YOUR QUESTIONS

Your authorized supplier knows your seating system best, and can answer most of your questions about safety, use and maintenance and important adjustments. For future reference, fill in the following:

Supplier: \_\_\_\_\_

Address: \_\_\_\_\_

\_\_\_\_\_

Telephone: \_\_\_\_\_

Date Purchased: \_\_\_\_\_

Introduction .....	1
Important Links .....	2
Transit Information.....	3
Transit Warnings .....	4
General Seating System & Warnings .....	8
Attaching the Transit Hardware.....	14
Testing the Seating System Fit to the Wheelchair.....	16
Seating System Component Adjustment .....	17
Cleaning and Maintenance .....	20
Warranty .....	21

*IMPORTANT LINKS*

## TRANSIT SEATING SYSTEM INFORMATION

Before using this seating system as a seat on a wheelchair in a motor vehicle you should read and comply with all instructions for use provided herein and provided by the wheelchair manufacturer as well as any instructions for use and transport suitability of any other component or accessory.

Always consult your wheelchair/ seating system supplier, clinician, trained professional or Sunrise Medical with any concerns or questions.

**THIS SYMBOL  OR  **WARNING** REFERS TO A HAZARD OR UNSAFE PRACTICE THAT MAY CAUSE SEVERE INJURY OR DEATH TO THE USER OF THIS PRODUCT.**

This two sided plastic tag attached to the transit locking pin indicates your seating system is WC 20 transit approved. The locking pin (fig.-1) must be installed when using this system for transport in any motor vehicle.

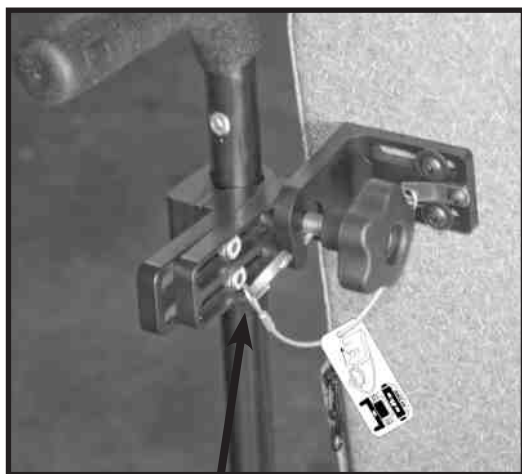
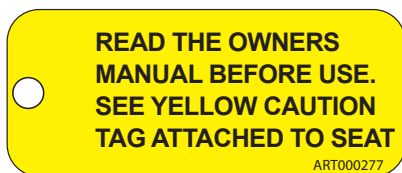
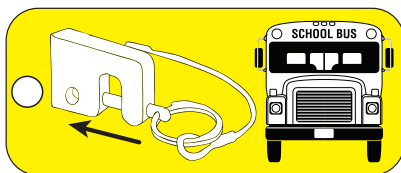


fig-1

TRANSIT LOCKING PIN



This seating system conforms with the requirements of ANSI/Resna WC20.

This seating system has been dynamically tested in a forward facing mode with the anatomic test dummy restrained by both pelvic and upper torso restraints.

**⚠ WARNING**

WHEELCHAIR USERS SHOULD TRANSFER TO THE VEHICLE SEAT AND USE THE VEHICLE-INSTALLED RESTRAINT SYSTEM WHEN FEASIBLE

**⚠ WARNING**

BEFORE USING THIS SEATING SYSTEM AS A SEAT IN A MOTOR VEHICLE IT MUST BE PROPERLY INSTALLED IN A SUNRISE MOBILITY BASE EQUIPPED WITH THE TRANSIT OPTION OR A WHEELCHAIR THAT MEETS THE REQUIREMENTS OF ANSI/RESNA WC-19 AND THAT HAS SECUREMENT POINTS LOCATED ON THE WHEELCHAIR BASE. FAILURE TO COMPLY MAY RESULT IN INJURY OR DEATH TO THE USER.

**⚠ WARNING**

YOU MUST COMPLY WITH THE FOLLOWING INSTRUCTIONS FOR PROPER TRANSIT USE OF YOUR SEATING SYSTEM. FAILURE TO COMPLY MAY RESULT IN INJURY OR DEATH TO THE USER

- This seating system should be used only forward facing seating in a motor vehicle
- This seating system should only be used as indicated in the manufacture's instructions
- In order to reduce the potential of injury to vehicle occupants, wheelchair mounted trays, backpacks, and loose items not specifically designed for crash safety should:
  - Be removed and secured separately in the vehicle
  - Be secured to the wheelchair but positioned away from the occupant with energy-absorbing padding placed between the tray and the occupant.
- Postural support devices may be used when in transit, but should not be relied on for occupant restraint in a moving vehicle unless they are labeled as conforming to ANSI/RESNA WC 20
- The seating system manufacturer should be consulted regarding questions about use of the system for wheelchair seating in a motor vehicle
- Alterations or substitutions should not be made to the structure, parts or components, without consulting the manufacturer.
- Both the vehicle mounted pelvic and upper torso occupant restraints should be used to achieve effective occupant and optimum protection in a crash situation.
- All WC19 Wheelchairs should be used with a SAE J2249 approved WTOR System.

**⚠ WARNING**

YOU MUST COMPLY WITH THE FOLLOWING WEIGHT LIMITS FOR PROPER TRANSIT USE OF YOUR SEATING SYSTEM. FAILURE TO COMPLY MAY RESULT IN INJURY OR DEATH TO THE USER

Type of System	Min User Weight <sup>1</sup>		Max User Weight	
Regular System*	48 lbs	22 kg	200 lbs	90 kg
Lil Liddos System**	48 lbs	22 kg	65 lbs	29 kg

<sup>1</sup>Minimum Weight for Transit only

Identify which type of system you have by locating the yellow tag attached to the seating system. If tag states 65 lbs (29 kg), the system is a Lil' Kiddos System. If the tag states 200 lbs (90 kg) the system is a Regular System.

### Weight Limit

**⚠ WARNING**

THIS SEATING SYSTEM CONFORMS WITH ANSI/RESNA WC20, AND SHOULD BE USED WITH A WHEELCHAIR BASE WHICH COMPLIES WITH PERFORMANCE REQUIREMENTS OF ANSI/RESNA WC19.

ANY POSTURAL SUPPORT NOT INTENDED FOR USE IN TRANSPORT, SHOULD NOT BE USED FOR THAT PURPOSE.

---

Sunrise Medical  
7477 East Dry Creek Parkway,  
Longmont, Colorado 80503  
USA (800) 456-8165, Canada (800) 263-3390,  
UK (+44) 1384-44-6858

FAILURE TO FOLLOW ALL SEATING SYSTEM & WHEELCHAIR MANUFACTURER INSTRUCTIONS & WARNINGS MAY RESULT IN DEATH OR SERIOUS INJURY.

BEFORE USING THIS SEATING SYSTEM IN A MOTOR VEHICLE YOU, AND EACH PERSON WHO MAY ASSIST YOU, SHOULD READ THE ENTIRE INSTRUCTION MANUAL SUPPLIED WITH THE SEATING SYSTEM. REVIEW THE WARNINGS OFTEN UNTIL THEY ARE SECOND NATURE TO YOU.

ART000278

**⚠ WARNING**

THIS SEATING SYSTEM CONFORMS WITH ANSI/RESNA WC20, AND SHOULD BE USED WITH A WHEELCHAIR BASE WHICH COMPLIES WITH PERFORMANCE REQUIREMENTS OF ANSI/RESNA WC19.

ANY POSTURAL SUPPORT NOT INTENDED FOR USE IN TRANSPORT, SHOULD NOT BE USED FOR THAT PURPOSE.

---

Sunrise Medical  
7477 East Dry Creek Parkway,  
Longmont, Colorado 80503  
USA (800) 456-8165, Canada (800) 263-3390,  
UK (+44) 1384-44-6858

FAILURE TO FOLLOW ALL SEATING SYSTEM & WHEELCHAIR MANUFACTURER INSTRUCTIONS & WARNINGS MAY RESULT IN DEATH OR SERIOUS INJURY.

BEFORE USING THIS SEATING SYSTEM IN A MOTOR VEHICLE YOU, AND EACH PERSON WHO MAY ASSIST YOU, SHOULD READ THE ENTIRE INSTRUCTION MANUAL SUPPLIED WITH THE SEATING SYSTEM. REVIEW THE WARNINGS OFTEN UNTIL THEY ARE SECOND NATURE TO YOU.

ART000279

\*Regular configured seating system - This seating system was tested with an anatomic test dummy weighing 170 lbs / 77 kgs

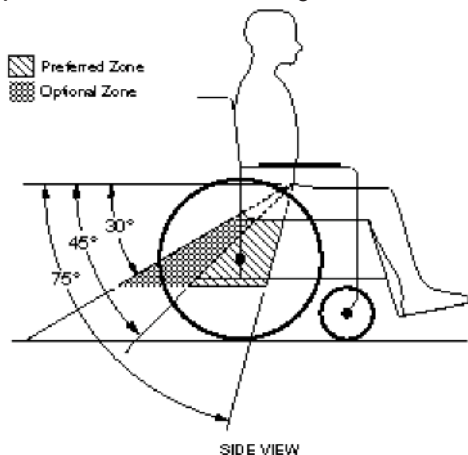
\*\* Li'l Kiddos configured seating system - This seating system was tested with an anatomic test dummy weighing 51 lbs / 23 kgs

**⚠ WARNING**

YOU MUST COMPLY WITH THE FOLLOWING INSTRUCTIONS FOR POSITIONING OF THE OCCUPANT RESTRAINT BELTS ON THE USER. FAILURE TO COMPLY MAY RESULT IN INJURY OR DEATH TO THE USER.

**POSITIONING OF THE OCCUPANT RESTRAINT BELTS ON THE USER**

- The pelvic restraint belt should be worn low across the front of the pelvis, so that the angle of the pelvic belt is within the preferred zone of 45-75 degrees to the horizontal, or the optional zone of 30 to 45 degrees to the horizontal as shown in figure A1.



- Occupant restraints should not be held away from the body by wheelchair and seating components or parts, such as the wheel chair armrests or wheels.



- Vehicle mounted upper torso belts should fit over the shoulders.
- Occupant restraints should be adjusted as firmly as possible, consistent with user comfort.
- Belts should not be worn twisted.

## POSTURE AND POSITIONING BELTS (OPTIONAL)

### **WARNING**

Use positioning belts and harnesses **ONLY** to help support the rider's posture. Improper use of these belts and harnesses may cause severe injury to or death to the user.

1. Make sure the user can not slide down in the seating system. If this occurs, the user may suffer chest compression or suffocate due to pressure from the belts or harness.
2. The belts and harnesses must be snug, but must not be so tight as to interfere with breathing. You should be able to slide your open hand, flat, between the belt and the rider.
3. A pelvic wedge or a similar device can help keep the user from sliding down in the seat. Consult with the users doctor, nurse or therapist to find out if the user needs such a device.
4. Use positioning belts only with a user that can cooperate. Make sure the user can easily remove the belts in an emergency
5. **NEVER** use Positioning Belts:
  - a. As a patient restraint. A restraint requires a doctors order
  - b. On a user who is comatose or agitated.
  - c. As a motor vehicle restraint. In an accident or sudden stop the rider may be thrown from the chair. Wheelchair seat belts will not prevent this, and further injury may result from the belts or straps.



## GENERAL SEATING SYSTEM AND WHEELCHAIR WARNINGS READ BEFORE USE

### A. CHOOSE THE RIGHT SEAT & SAFETY OPTIONS

Sunrise provides a choice of many wheelchair seats to meet the needs of the wheelchair user. Final selection on the type of seat, options and adjustments should be made with your health care advisor and authorized Sunrise supplier:

1. Your disability, strength, balance and coordination.
2. The types of hazards you must overcome in daily use (where you live and work, and other places you are likely to use your chair).
3. The need for options for your safety and comfort (such as ,positioning belts, or special accessories).

### B. REVIEW THIS MANUAL OFTEN

Before using this product you, and, each person who may assist you, should read this entire manual and make sure to follow all instructions. Review the warnings often, until they are second nature to you.

### C. WARNINGS

The word "WARNING" refers to a hazard or unsafe practice that may cause severe injury or death to you or to other persons. The "Warnings" are in four main sections, as follows:

#### I GENERAL WARNINGS

Here you will find a safety checklist and a summary of risks you need to be aware of before you use this product.

#### II WARNINGS– FALLS & TIP-OVERS

Here you will learn how to avoid a fall or tip-over while you perform daily activities in your seat.

#### III WARNINGS– FOR SAFE USE

Here you will learn about practices for the safe use of your seat.

#### IV WARNINGS– COMPONENTS & OPTIONS

Here you will learn about the components of your chair and options you can select for safety. Consult your authorized supplier and your health care advisor to help you choose the best set-up and options for safe use.

NOTE– Where they apply, you will also find "Warnings" in other sections of this manual. Heed all warnings in this section. If you fail to do so a fall, tip-over or loss of control may occur and cause severe injury to the user or others.

### I. GENERAL WARNINGS

#### A. WEIGHT LIMIT

NEVER exceed the listed weight limit for your seating system as stated in the manual and on the warning tags. If you do exceed the limit, damage to your seat or chair, a fall, tip-over or loss of control may occur and cause severe injury to the user or others.

## **B. TO REDUCE THE RISK OF AN ACCIDENT**

1. BEFORE using, you should be trained in the safe use of this seat by your health care advisor.
2. Practice bending, reaching and transfers until you know the limit of your ability. Have someone help you until you know what can cause a fall or tip-over and how to avoid doing so.
3. Be aware that you must develop your own methods for safe use best suited to your level of function and ability.
4. NEVER try a new maneuver on your own until you are sure you can do it safely.
5. Installation and use of anti-tip tubes on your mobility base is recommended.

If you fail to heed these warnings damage to your seat, a fall, tip-over or loss of control may occur and cause severe injury to the rider or others.

## **C. SAFETY CHECKLIST**

Before Each Use Of Your Seat:

1. Make sure the attachment (mounting) hardware is secure and tight.
2. Repair any problem. Your authorized supplier can help you find and correct the problem.
3. Use the anti-tip tubes that come with your wheelchair and be certain they are locked into place. If you fail to heed these warnings damage to your chair, a fall, tip-over or loss of control may occur and cause severe injury to the rider or others.

## **D. CHANGES & ADJUSTMENTS**

1. If you modify or adjust this seat, it may increase the risk of a tip-over.
2. Consult your authorized supplier BEFORE you modify or adjust your seat.
3. We recommend that you use anti-tip tubes .
4. Unauthorized modifications or use of parts not supplied or approved by Sunrise may change the seat structure. This will void the warranty and may cause a safety hazard.

If you fail to heed these warnings damage to your chair, a fall, tip-over or loss of control may occur and cause severe injury to the rider or others.

## **E. ENVIRONMENTAL CONDITIONS**

1. Contact with water or excess moisture may cause your seat to rust, degrade or corrode. This could cause your seat to fail.
  - a. Do not use your seat in a shower, pool or other body of water.
  - b. Avoid excess moisture.
  - c. Dry your seat as soon as you can if it gets wet, or if you use water to clean it.

If you fail to heed these warnings damage to your chair, a fall, tip-over or loss of control may occur and cause severe injury to the rider or others.

## F. WHEN YOU NEED HELP

**For The User:** Make sure that each person who helps you reads and follows all warnings and instructions that apply.

**For Attendants:**

1. Work with the users doctor, nurse or therapist to learn safe methods best suited to your abilities and those of the user.
2. To prevent injury to your back, use good posture and proper body mechanics. When you lift or support the user bend your knees slightly and keep your back as upright and straight as you can.
3. Remind the user to lean back when you tilt the chair backward.

If you fail to heed these warnings damage to your chair, a fall, tip-over or loss of control may occur and cause severe injury to the rider or others.

## II. WARNINGS: FALLS & TIP-OVERS

### A. CENTER OF GRAVITY

The point where your chair will tip forward, back, or to the side depends on its center of gravity and stability. How your seat is set up, the options you select and the changes you make may affect the risk of a fall or tip-over.

1. The Center Of Gravity Is Affected By:

a. A change in the set-up of your chair, including:

- The seat height and seat angle.
- Backrest angle.

b. A change in your body position, posture or weight distribution.

c. Riding your chair on a ramp or slope.

d. The use of a back pack or other options, and the amount of added weight.

3. To Reduce The Risk Of An Accident:

a. Consult your doctor, nurse or therapist to find out what axle and caster position is best for you.

b. Consult your authorized supplier BEFORE you modify or adjust this seat. Be aware that you may need to make other changes to correct the center of balance.

c. Have someone help you until you know the balance points of your chair and how to avoid a tip-over.

d. Use anti-tip tubes.

e. Never allow the presence of a second occupant climbing or standing on a component of the chair.

If you fail to heed these warnings damage to your chair, a fall, tip-over or loss of control may occur and cause severe injury to the rider or others.

### B. REACHING OR LEANING

If you reach or lean it will affect the center of balance of your chair. This may cause you to fall or tip over. When in doubt, ask for help or use a device to extend your reach.

1. NEVER reach or lean if you must shift your weight sideways or rise up off the seat.

2. NEVER reach or lean if you must move forward in your seat to do so. Always keep

your buttocks in contact with the backrest.

3. NEVER reach with both hands (you may not be able to catch yourself to prevent a fall if the chair tips).
4. NEVER reach or lean to the rear unless your chair has anti-tip tubes locked in place.
5. DO NOT reach or lean over the top of the seat back. This may damage one or both backrest tubes and cause you to fall.

### C. TRANSFER

It is dangerous to transfer on your own. It requires good balance and agility. Be aware that there is a point during every transfer when the wheelchair seat is not below you. To Avoid A Fall:

1. Work with your health care advisor to learn safe methods.
  - a. Learn how to position your body and how to support yourself during a transfer.
  - b. Have someone help you until you know how to do a safe transfer on your own.
2. Lock the rear wheels before you transfer. This keeps the rear wheels from rolling. NOTE– This will NOT keep your chair from sliding away from you or tipping.
3. Make sure to keep pneumatic tires properly inflated. Low tire pressure may allow the rear wheel locks to slip.
4. Move your chair as close as you can to the seat you are transferring to. If possible, use a transfer board.
5. Rotate the front casters until they are as far forward as possible.
6. If you can, remove or swing footrests out of the way.
  - a. Make sure your feet do not catch in the space between the footrests.
  - b. Avoid putting weight on the footrests as this may cause the chair to tip.
7. Make sure armrests are out of the way and do not interfere.
8. Transfer as far back onto the seat surface as you can. This will reduce the risk that the chair will tip or move away from you.

If you fail to heed these warnings damage to your chair, a fall, tip-over or loss of control may occur and cause severe injury to the rider or others.

## III. WARNINGS: FOR SAFE USE

### A. MAINTENANCE

1. Inspect and maintain this seat regularly.
2. If you detect a problem, make sure to service or repair the chair before use.
3. At least once a year, have a complete inspection, safety check and service of your chair made by an authorized supplier.

### 4 BELTS, WEBBING, STRAPS AND UPHOLSTERED POSITIONING COMPONENTS:

Check all components regularly and replace at the first signs of any tears, rips or fraying. Keep foreign objects from entering the receiver parts of locking buckles and insure they positively latch at each use.

If you fail to heed these warnings damage to your chair, a fall, tip-over or loss of control may occur and cause severe injury to the rider or others. For additional maintenance information see Maintenance Section.

## **IV. WARNINGS: COMPONENTS & OPTIONS**

### **A. FASTENERS**

Many of the screws, bolts and nuts on this chair are special high-strength fasteners.

Use of improper fasteners may cause your chair to fail.

1. **ONLY** use fasteners provided by an authorized supplier (or ones of the same type and strength, as indicated by the markings on the heads).
2. Over- or under-tightened fasteners may fail or cause damage to chair parts.
3. If bolts or screws become loose, tighten them as soon as you can.
4. Sunrise recommends that all fasteners be checked for wear, such as loose bolts or broken components every 3 months. Loose fasteners should be retightened according to the installation instructions. All fasteners should be tightened to torque specifications as stated in the hardware installation instructions. Contact your authorized Sunrise Medical supplier immediately to replace any broken or malfunctioning components.

### **DO NOT CONTINUE TO USE THE SYSTEM AFTER IDENTIFYING LOOSE OR BROKEN COMPONENTS.**

If you fail to heed these warnings damage to your chair, a fall, tip-over or loss of control may occur and cause severe injury to the rider or others.

### **B. POSITIONING BELTS (OPTIONAL)**

Use positioning belts **ONLY** to help support the user's posture. Improper use of these belts may cause severe injury to or death.

1. Make sure the rider can not slide down in the wheelchair seat. If this occurs, the user may suffer chest compression or suffocate due to pressure from the belts.
2. The belts must be snug, but must not be so tight that they interfere with breathing. You should be able to slide your open hand, flat, between the belt and the rider.
3. A pelvic ledge or a similar can help keep the user from sliding down in the seat. Consult with the user's doctor, nurse or therapist to find out if the rider needs this contour when constructing the seat.
4. Use positioning belts only with a user who can cooperate. Make sure the user can easily remove the belts in an emergency.
5. **NEVER** Use Positioning Belts:
  - a. As a patient restraint. A restraint requires a doctor's order.
  - b. On a user who is comatose or agitated.
  - c. As a motor vehicle restraint. In an accident or sudden stop the rider may be thrown from the chair. Wheelchair seat belts will not prevent this, and further injury may result from the belts or straps.

If you fail to heed these warnings damage to your chair, a fall, tip-over or loss of control may occur and cause severe injury to the rider or others.

**C. SEAT SYSTEMS**

1. Do not change the seat system of your chair **UNLESS** you consult your authorized supplier first. If you fail to heed these warnings damage to your chair, a fall, tip-over or loss of control may occur and cause severe injury to the rider or others.

**D. POSTURAL SUPPORT DEVICES AND ACCESSORIES****REMOVABLE, ADJUSTABLE OR HINGED COMPONENTS:**

1. Check the function of all moveable component accessories that may be added to this device such as swing away laterals, abductors and head supports during each use. Insure they adjust and lock into position to provide the necessary support to the user.

**E. PINCH POINTS:**

When some hinged or adjustable components are moved there results in the opportunity for a “pinch point” to exist. Be aware of these points and insure all body parts are kept clear during these movements and adjustments.

**NOTE:** During the following steps tighten all hardware just enough to hold positions. This will make it easier to adjust during assembly. Ensure that when attaching fasteners to the seat or back the threaded fastener inside the seat (t-nut) is not dislodged. Ensure that all threads align straight and do not cross thread. Tighten all fasteners. Sunrise recommends tightening fasteners to 100 ft/lbs (115.5 kgf/cm) of torque.

### STEP-1 ASSEMBLING THE BACK TO SEAT BRACKET TO THE SEATING SYSTEM. (fig #1)

Locate the T-Nuts under the seat and back upholstery. Before making the holes for the fasteners make sure the holes you have chosen will give you the largest range of seat depth and back height adjustment.

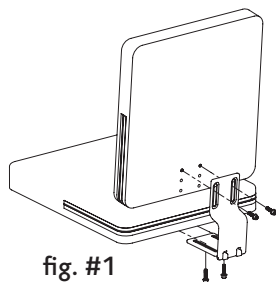


fig. #1

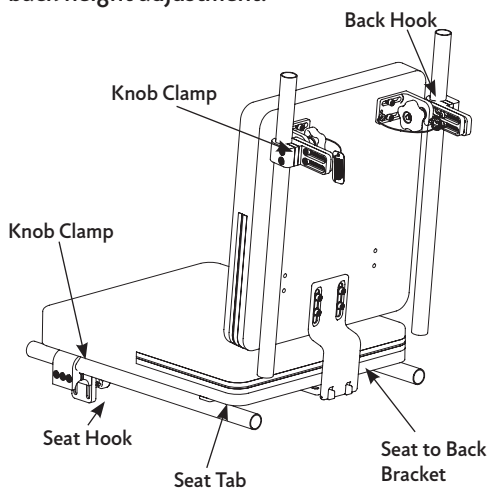


fig. #2

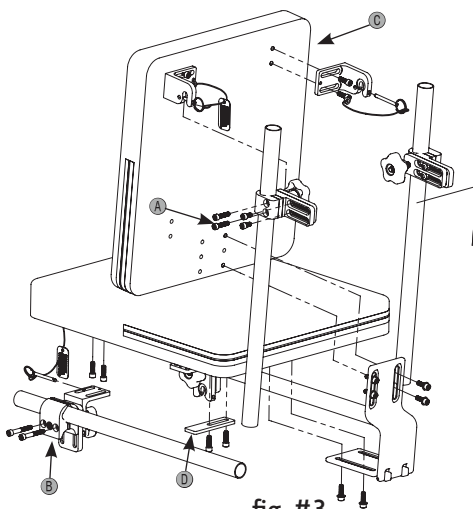


fig. #3

### STEP-2 ASSEMBLING THE KNOB CLAMP HARDWARE TO THE WHEELCHAIR FRAME (fig #2, & 4)

Attaching the Back Knob Clamps

- a. Loosen bolts (A)
- b. Using the correct size supplied clamp spacers to fit the wheelchair tube size tighten the clamp onto the back tube (A1).

2. Attaching the Seat Knob Clamps

- a. Loosen bolts (B)
- b. Using the correct size supplied clamp spacers to fit the wheelchair tube size tighten the clamp onto the tube (fig. #4).

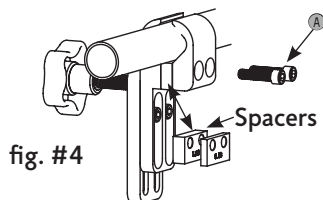


fig. #4

### STEP-3 ASSEMBLING THE SEAT TABS TO THE SEATING SYSTEM.

a. Attach the Seat Tabs (D) to the seat so they rest on the wheelchair seat tube.

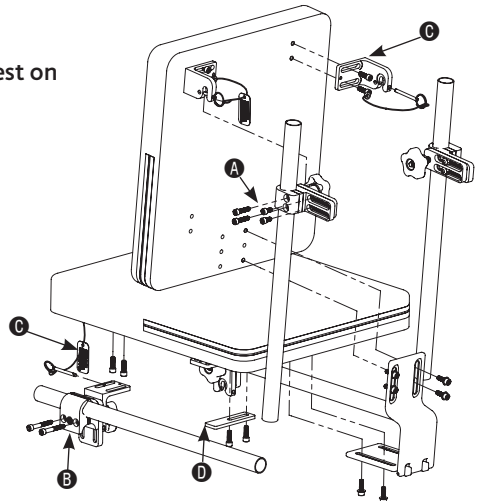


fig. #3

### STEP-4 ATTACHING THE SEAT AND BACK HOOKS

**WARNING** The seat and back hooks must only be attached in the areas shown on (figs 5 & 6).

a. Locate the T-nuts under the upholstery that are located in the shaded areas as shown (figs 5 & 6).

Make a hole in the upholstery (Fig #3) (C). Attach seat and back hooks.

#### Back Hook Location

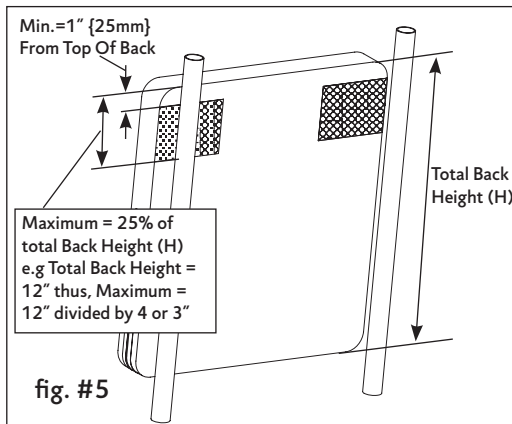


fig. #5

#### Seat Hook Location

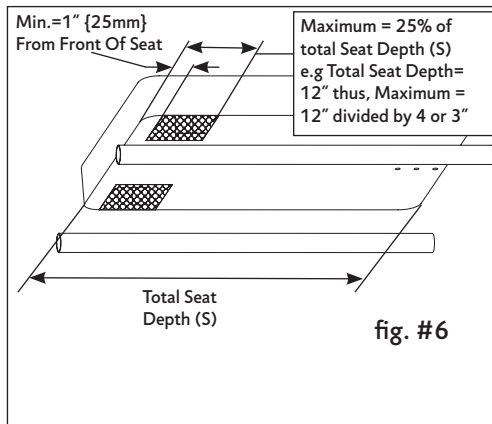


fig. #6



## TESTING THE SEATING SYSTEM FIT TO THE WHEELCHAIR

Check the attachment of the seating system to the wheelchair as shown in (fig. 7,8, &9).

### MAKE CERTAIN THE FOLLOWING HAPPENS:

- A. The back hooks and seat hooks slide totally onto the knob hardware.
- B. The seat tab support the rear of the seat resting on the wheelchair tubes.
- C. The knobs tighten and will hold the seat and back securely.
- D. The transit locking pins slide through the holes in the back and seat hooks.

IF THE SYSTEM DOES NOT FIT OR LINE UP ON ANY OF THE HARDWARE MAKE THE NECESSARY INDIVIDUAL HARDWARE ADJUSTMENTS TO ENSURE A POSITIVE FIT.

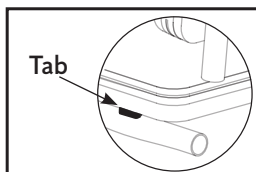


fig. #7

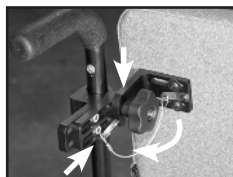


fig. #8

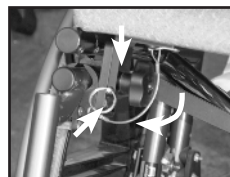
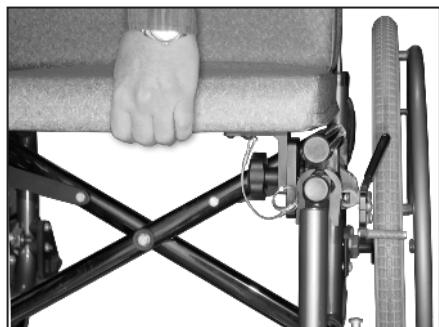


fig. #9

**ENSURE THE SEATING LOCKS TO THE HARDWARE** Securely holding the seat front pull up and out. Securely holding the top of the back pull up and back. Ensure the seat and back stay solidly attached to the wheel chair as shown below.



### **⚠ WARNING**

Revisit all fasteners and tighten securely before using the seating system.

### **⚠ WARNING**

Do not change the seat system of your chair **UNLESS** you consult your authorized supplier first.

## SEATING SYSTEM ADJUSTMENTS

Depending on the installed hardware and the system configuration your SUNRISE CONFIGURED SEATING SYSTEM has a range of adjustments for growth, sizing and user support. The adjustments are available via:

- The slotted design of most attaching and support hardware
- The slotted tracks that may have been installed on the seat and back
- The wide range of threaded T-Nut fasteners installed under the upholstery in the plywood base of the seat and back.

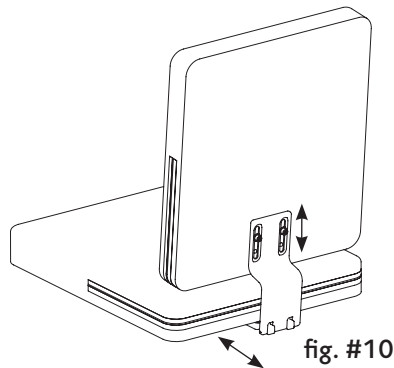
Slotted hardware and track adjustments: (fig. #12) shows the exploded views you may refer to during adjustment)

- Loosen the fasteners, slide the hardware pieces to the desired location and re-tighten securely.
- T-Nut adjustments – Locate the T-Nuts under the upholstery ensuring they are in the correct adjustment location and will line up with the hardware parts. Puncture the upholstery to allow the fastener to thread in to the T-Nuts. Ensure that when attaching fasteners to the seat or back the threaded fastener inside the seat (T-Nut) is not dislodged.

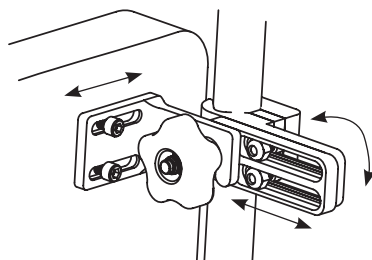
**NOTE** - Adjusting one piece of hardware may result in other hardware having to be adjusted as well.

**BACK TO SEAT BRACKET:**

The back to seat bracket adjusts seat depth and back height (fig #10)

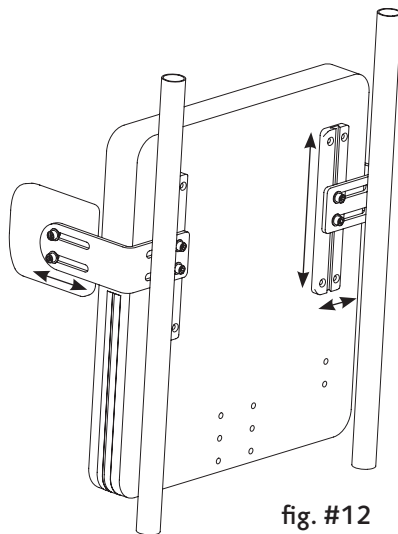
**KNOB CLAMPS – SEAT AND BACK:**

The slotted surfaces of the Knob Clamps adjust for seat and back depth, angle, and width. (fig #11)

**SECONDARY SUPPORT SURFACES:**

**THORACIC LATERALS AND HIP GUIDES w/ TRACKS:** Depending on the choice of hardware thoracic laterals offer height, medial lateral adjustment along with angle and depth adjustment (fig# 12).

Note: Tracks can be full length or supplied covering only certain areas of the seat and/or back.



**THORACIC LATERALS AND HIP GUIDES w/o TRACKS:**

Depending on the choice of hardware thoracic laterals offer height, medial lateral adjustment along with angle and depth adjustment (fig# 13).

**NOTE:** T-Nut adjustments – Locate the T-Nuts under the upholstery ensuring they are in the correct adjustment location and will line up with the hardware parts. Puncture the upholstery to allow the fastener to thread in to the T-Nuts. Ensure that when attaching fasteners to the seat or back the threaded fastener inside the seat (T-Nut) is not dislodged.

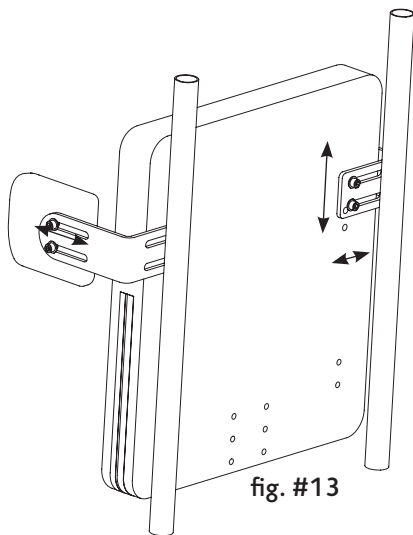


fig. #13

**MEDIAL THIGH SUPPORTS:**

The T-Nut patterns under the seats located in the front of the seat supply attaching points for the hardware base (fig # 14)

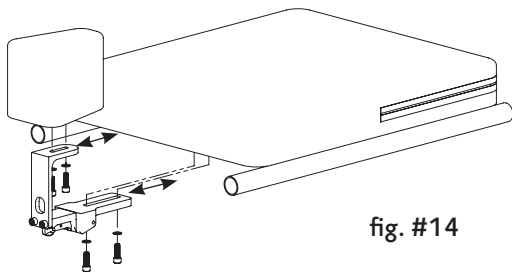


fig. #14

When all adjustments are completed, re-tighten all hardware and fasteners. Ensure that all moveable parts function correctly and lock into place.

**CLEANING:****SEAT OR BACK UPHOLSTERY, WEBBING AND FABRICS:**

These surfaces may be wiped clean with mild soap and water. Use no harsh detergents, cleaning agents or abrasives or polishes that will make the support surfaces slippery.

**POSITIONING COMPONENTS AND HARDWARE:**

Wipe clean with mild soap and water. Use no harsh detergents, cleaning agents or abrasives or polishes. Do not immerse positioning components underwater.

If you have any additional questions about cleaning procedures or maintenance please contact your authorized Sunrise Medical Dealer or Agent.

**⚠ WARNING** FAILURE TO FOLLOW THE MAINTENANCE BELOW MAY RESULT IN INJURY OR DEATH TO THE USER. DO NOT CONTINUE TO USE THE SYSTEM AFTER IDENTIFYING LOOSE OR BROKEN COMPONENTS.

**FASTENERS:**

Sunrise recommends that all fasteners be checked for wear, such as loose bolts or broken components every 3 months. Loose fasteners should be retightened according to the installation instructions. All fasteners should be tightened to torque specifications as stated in the hardware installation instructions. Contact your authorized Sunrise Medical supplier immediately to replace any broken or malfunctioning components.

**DO NOT CONTINUE TO USE THE SYSTEM AFTER IDENTIFYING LOOSE OR BROKEN COMPONENTS.**

**REMOVABLE, ADJUSTABLE OR HINGED COMPONENTS:**

Check the function of all moveable components such as swing away laterals, abductors and head supports during each use. Insure they adjust and lock into position and supply the necessary support to the user.

**BELTS, WEBBING, STRAPS AND UPHOLSTERED POSITIONING COMPONENTS:**

Check all components regularly and replace at the first signs of any tears, rips or fraying. Keep foreign objects from entering the receiver parts of locking buckles and insure they positively latch at each use.

## SUNRISE MEDICAL CUSTOM SEATING SYSTEM WARRANTIES

### Sunrise Limited Warranty

#### A. FOR LIFETIME

Sunrise warrants the hardware items of this Custom Seating System against defects in materials and workmanship for the life of the original purchaser.

The expected life of the hardware is five years.

#### B. FOR ONE (1) YEAR

We warrant all Sunrise-made parts and components of this wheelchair against defects in materials and workmanship for one year from the date of first consumer purchase.

#### C. LIMITATIONS

1. We do not warrant:
  - a. Damage from neglect, accident, misuse, or from improper installation or repair.
  - b. Products modified without Sunrise Medicals express written consent.
  - c. Damage from exceeding the weight limit.
2. This warranty is VOID if the original chair serial number tag is removed or altered.
3. This warranty applies in the USA only. Check with your supplier to find out if international warranties apply.
4. This warranty is not transferable and only applies to the first consumer purchase of this Seating System through an authorized Sunrise Medical dealer.

#### D. WHAT WE WILL DO

Our sole liability is to repair or replace covered parts. This is the exclusive remedy for consequential damages.

#### E. WHAT YOU MUST DO

1. Obtain from us, while this warranty is in effect, prior approval for return or repair of covered parts.
2. Return the wheelchair or part(s), freight pre-paid, to Sunrise Mobility Products Division at: 2842 Business Park Avenue, Fresno, CA 93727-1328.
3. Pay the cost of labor to repair, remove or install parts.

#### F. NOTICE TO CONSUMER

1. If allowed by law, this warranty is in place of any other warranty (written or oral, express or implied, including a warranty of merchantability, or fitness for a particular purpose).
2. This warranty gives you certain legal rights. You may also have other rights that vary from state to state.

Record your serial number here for future reference: \_\_\_\_\_