

<b>Mark For:</b> _____ Date: _____ Dealer Acct #: _____ Dealer: _____ Dealer Contact: _____ Dealer Address: _____ Dealer City: _____ ST: _____ ZIP: _____ Dealer Phone: ( ) _____ Fax: ( ) _____ Confirmation Email: _____ Confirm Via: <input type="checkbox"/> Fax <input type="checkbox"/> Email	<b>Submitting for:</b> <input type="checkbox"/> Quote <input type="checkbox"/> Order PO#: _____  <p style="text-align: center;"><b>ADDITIONAL SHIPPING INFORMATION</b></p> Ship To: _____ Attention: _____ Address: _____ Address: _____ Ship To City: _____ ST: _____ ZIP: _____ Ship To Phone: ( ) _____ Fax: ( ) _____
--	---

The **HCPCS CODES** provided are based on code verification through PDAC or our interpretation of the code definitions.  
 The use of **HCPCS CODES** does not ensure coverage or payment. For coverage information, verify the appropriate payer's coverage policy.

Note: For cover selection, **L** = Lycra and **V** = Dartex Reversed (Example: AXYS-HUFALL or AXYS-HUFAL V)

**Head Positioning - Use HCPCS Code E0955**

Whitmyer headrests come unassembled. Please add item WHITASSY001 if the dealer would like parts assembled. This is a no charge option.



**PAD                      AXYS                      ONYX                      LINX                      LINX<sup>2</sup>**

<b>PLUSH</b> <small>*Utilizes neoprene foam for a thinner pad</small>	<b>19"</b>
	<b>14"</b>
	<b>10"</b>
	<b>8"</b>
	<b>6"</b>
	<b>6"*</b>
	<b>5"*</b>

<input type="checkbox"/>	AXYS-P4L	\$285	<input type="checkbox"/>	ONYX-P4L	\$285	<input type="checkbox"/>	LINX-P4L	\$315	<input type="checkbox"/>	LINX2-P4L	\$350
<input type="checkbox"/>	AXYS-P4V	\$285	<input type="checkbox"/>	ONYX-P4V	\$285	<input type="checkbox"/>	LINX-P4V	\$315	<input type="checkbox"/>	LINX2-P4V	\$350
<input type="checkbox"/>	AXYS-P2L	\$215	<input type="checkbox"/>	ONYX-P2L	\$215	<input type="checkbox"/>	LINX-P2L	\$215	<input type="checkbox"/>	LINX2-P2L	\$250
<input type="checkbox"/>	AXYS-P2V	\$215	<input type="checkbox"/>	ONYX-P2V	\$215	<input type="checkbox"/>	LINX-P2V	\$215	<input type="checkbox"/>	LINX2-P2V	\$250
<input type="checkbox"/>	AXYS-P1L	\$205	<input type="checkbox"/>	ONYX-P1L	\$205	<input type="checkbox"/>	LINX-P1L	\$205	<input type="checkbox"/>	LINX2-P1L	\$240
<input type="checkbox"/>	AXYS-P1V	\$205	<input type="checkbox"/>	ONYX-P1V	\$205	<input type="checkbox"/>	LINX-P1V	\$205	<input type="checkbox"/>	LINX2-P1V	\$240
<input type="checkbox"/>	AXYS-P3L	\$205	<input type="checkbox"/>	ONYX-P3L	\$205	<input type="checkbox"/>	LINX-P3L	\$205	<input type="checkbox"/>	LINX2-P3L	\$240
<input type="checkbox"/>	AXYS-P3V	\$205	<input type="checkbox"/>	ONYX-P3V	\$205	<input type="checkbox"/>	LINX-P3V	\$205	<input type="checkbox"/>	LINX2-P3V	\$240
<input type="checkbox"/>	AXYS-P8L	\$205	<input type="checkbox"/>	ONYX-P8L	\$205	<input type="checkbox"/>	LINX-P8L	\$205	<input type="checkbox"/>	LINX2-P8L	\$240
<input type="checkbox"/>	AXYS-P8V	\$205	<input type="checkbox"/>	ONYX-P8V	\$205	<input type="checkbox"/>	LINX-P8V	\$205	<input type="checkbox"/>	LINX2-P8V	\$240
<input type="checkbox"/>	AXYS-P6L	\$155	<input type="checkbox"/>	ONYX-P6L	\$155	<input type="checkbox"/>	LINX-P6L	\$140	<input type="checkbox"/>	LINX2-P6L	\$175
<input type="checkbox"/>	AXYS-P6V	\$155	<input type="checkbox"/>	ONYX-P6V	\$155	<input type="checkbox"/>	LINX-P6V	\$140	<input type="checkbox"/>	LINX2-P6V	\$175
<input type="checkbox"/>	AXYS-P5L	\$155	<input type="checkbox"/>	ONYX-P5L	\$155	<input type="checkbox"/>	LINX-P5L	\$140	<input type="checkbox"/>	LINX2-P5L	\$175
<input type="checkbox"/>	AXYS-P5V	\$155	<input type="checkbox"/>	ONYX-P5V	\$155	<input type="checkbox"/>	LINX-P5V	\$140	<input type="checkbox"/>	LINX2-P5V	\$175

<b>ADJUST -A- PLUSH</b>	Large (Std)
	Medium
	Small (Narrow)

<input type="checkbox"/>	AXYS-AP2L	\$315	<input type="checkbox"/>	ONYX-AP2L	\$315	<input type="checkbox"/>	LINX-AP2L	\$315	<input type="checkbox"/>	LINX2-AP2L	\$345
<input type="checkbox"/>	AXYS-AP2V	\$315	<input type="checkbox"/>	ONYX-AP2V	\$315	<input type="checkbox"/>	LINX-AP2V	\$315	<input type="checkbox"/>	LINX2-AP2V	\$345
<input type="checkbox"/>	AXYS-AP3L	\$315	<input type="checkbox"/>	ONYX-AP3L	\$315	<input type="checkbox"/>	LINX-AP3L	\$315	<input type="checkbox"/>	LINX2-AP3L	\$345
<input type="checkbox"/>	AXYS-AP3V	\$315	<input type="checkbox"/>	ONYX-AP3V	\$315	<input type="checkbox"/>	LINX-AP3V	\$315	<input type="checkbox"/>	LINX2-AP3V	\$345
<input type="checkbox"/>	AXYS-AP1L	\$315	<input type="checkbox"/>	ONYX-AP1L	\$315	<input type="checkbox"/>	LINX-AP1L	\$315	<input type="checkbox"/>	LINX2-AP1L	\$345
<input type="checkbox"/>	AXYS-AP1V	\$315	<input type="checkbox"/>	ONYX-AP1V	\$315	<input type="checkbox"/>	LINX-AP1V	\$315	<input type="checkbox"/>	LINX2-AP1V	\$345

<b>DUAL MOUNT ADJUST -A- PLUSH</b>	<b>19"</b>
	<b>14"</b>
	Large
	Medium
	Small




<input type="checkbox"/>	AXYS-P44L	\$510	<input type="checkbox"/>	ONYX-P44L	\$510	<input type="checkbox"/>	LINX-P44L	\$550	<input type="checkbox"/>	LINX2-P44L	\$585
<input type="checkbox"/>	AXYS-P44V	\$510	<input type="checkbox"/>	ONYX-P44V	\$510	<input type="checkbox"/>	LINX-P44V	\$550	<input type="checkbox"/>	LINX2-P44V	\$585
<input type="checkbox"/>	AXYS-P22L	\$500	<input type="checkbox"/>	ONYX-P22L	\$500	<input type="checkbox"/>	LINX-P22L	\$540	<input type="checkbox"/>	LINX2-P22L	\$575
<input type="checkbox"/>	AXYS-P22V	\$500	<input type="checkbox"/>	ONYX-P22V	\$500	<input type="checkbox"/>	LINX-P22V	\$540	<input type="checkbox"/>	LINX2-P22V	\$575
<input type="checkbox"/>	AXYS-AP22L	\$510	<input type="checkbox"/>	ONYX-AP22L	\$510	<input type="checkbox"/>	LINX-AP22L	\$550	<input type="checkbox"/>	LINX2-AP22L	\$580
<input type="checkbox"/>	AXYS-AP22V	\$510	<input type="checkbox"/>	ONYX-AP22V	\$510	<input type="checkbox"/>	LINX-AP22V	\$550	<input type="checkbox"/>	LINX2-AP22V	\$580
<input type="checkbox"/>	AXYS-AP33L	\$510	<input type="checkbox"/>	ONYX-AP33L	\$510	<input type="checkbox"/>	LINX-AP33L	\$550	<input type="checkbox"/>	LINX2-AP33L	\$580
<input type="checkbox"/>	AXYS-AP33V	\$510	<input type="checkbox"/>	ONYX-AP33V	\$510	<input type="checkbox"/>	LINX-AP33V	\$550	<input type="checkbox"/>	LINX2-AP33V	\$580
<input type="checkbox"/>	AXYS-AP11L	\$510	<input type="checkbox"/>	ONYX-AP11L	\$510	<input type="checkbox"/>	LINX-AP11L	\$550	<input type="checkbox"/>	LINX2-AP11L	\$580
<input type="checkbox"/>	AXYS-AP11V	\$510	<input type="checkbox"/>	ONYX-AP11V	\$510	<input type="checkbox"/>	LINX-AP11V	\$550	<input type="checkbox"/>	LINX2-AP11V	\$580

<b>NARROW PLUSH</b>
---------------------

<input type="checkbox"/>	AXYS-P12L	\$205	<input type="checkbox"/>	ONYX-P12L	\$205	<input type="checkbox"/>	LINX-P12L	\$205	<input type="checkbox"/>	LINX2-P12L	\$240
<input type="checkbox"/>	AXYS-P12V	\$205	<input type="checkbox"/>	ONYX-P12V	\$205	<input type="checkbox"/>	LINX-P12V	\$205	<input type="checkbox"/>	LINX2-P12V	\$240

### Head Positioning - Use HCPCS Code E0955

Whitmyer headrests come unassembled. Please add item WHITASSY001 if the dealer would like parts assembled. This is a no charge option.

		<input type="checkbox"/> Receiver must be selected at bottom of page		<input type="checkbox"/> Adult - 15" <input type="checkbox"/> Peds - 11" <input type="checkbox"/> EI - 10"		<input type="checkbox"/> Adult - 15" <input type="checkbox"/> Peds - 11" <input type="checkbox"/> EI - 10"
<b>PAD</b>	<b>PRO</b>		<b>COBRA</b>		<b>COBRA-FB</b>	

<b>PLUSH</b>	*Utilizes neoprene foam for a thinner pad	19"	<input type="checkbox"/> PRO-P4L	\$320	<input type="checkbox"/> COBRA-P4L	\$450	<input type="checkbox"/> FB-COBRA-P4L	\$590
		14"	<input type="checkbox"/> PRO-P4V	\$320	<input type="checkbox"/> COBRA-P4V	\$450	<input type="checkbox"/> FB-COBRA-P4V	\$590
		10"	<input type="checkbox"/> PRO-P2L	\$230	<input type="checkbox"/> COBRA-P2L	\$450	<input type="checkbox"/> FB-COBRA-P2L	\$530
		8"	<input type="checkbox"/> PRO-P2V	\$230	<input type="checkbox"/> COBRA-P2V	\$450	<input type="checkbox"/> FB-COBRA-P2V	\$530
		6"	<input type="checkbox"/> PRO-P1L	\$230	<input type="checkbox"/> COBRA-P1L	\$450	<input type="checkbox"/> FB-COBRA-P1L	\$530
		6"*	<input type="checkbox"/> PRO-P1V	\$230	<input type="checkbox"/> COBRA-P1V	\$450	<input type="checkbox"/> FB-COBRA-P1V	\$530
		5"*	<input type="checkbox"/> PRO-P3L	\$230	<input type="checkbox"/> COBRA-P3L	\$450	<input type="checkbox"/> FB-COBRA-P3L	\$530
			<input type="checkbox"/> PRO-P3V	\$230	<input type="checkbox"/> COBRA-P3V	\$450	<input type="checkbox"/> FB-COBRA-P3V	\$530
	<input type="checkbox"/> PRO-P8L	\$230	<input type="checkbox"/> COBRA-P8L	\$450	<input type="checkbox"/> FB-COBRA-P8L	\$530		
	<input type="checkbox"/> PRO-P8V	\$230	<input type="checkbox"/> COBRA-P8V	\$450	<input type="checkbox"/> FB-COBRA-P8V	\$530		
	<input type="checkbox"/> PRO-P6L	\$230	<input type="checkbox"/> COBRA-P6L	\$450	<input type="checkbox"/> FB-COBRA-P6L	\$540		
	<input type="checkbox"/> PRO-P6V	\$230	<input type="checkbox"/> COBRA-P6V	\$450	<input type="checkbox"/> FB-COBRA-P6V	\$540		
	<input type="checkbox"/> PRO-P5L	\$230	<input type="checkbox"/> COBRA-P5L	\$450	<input type="checkbox"/> FB-COBRA-P5L	\$540		
	<input type="checkbox"/> PRO-P5V	\$230	<input type="checkbox"/> COBRA-P5V	\$450	<input type="checkbox"/> FB-COBRA-P5V	\$540		

<b>ADJUST -A- PLUSH</b>	Large (Std)	<input type="checkbox"/> PRO-AP2L	\$340	<input type="checkbox"/> COBRA-AP2L	\$550	<input type="checkbox"/> FB-COBRA-AP2L	\$640	
		<input type="checkbox"/> PRO-AP2V	\$340	<input type="checkbox"/> COBRA-AP2V	\$550	<input type="checkbox"/> FB-COBRA-AP2V	\$640	
		Medium	<input type="checkbox"/> PRO-AP3L	\$340	<input type="checkbox"/> COBRA-AP3L	\$550	<input type="checkbox"/> FB-COBRA-AP3L	\$640
			<input type="checkbox"/> PRO-AP3V	\$340	<input type="checkbox"/> COBRA-AP3V	\$550	<input type="checkbox"/> FB-COBRA-AP3V	\$640
			Small (Narrow)	<input type="checkbox"/> PRO-AP1L	\$340	<input type="checkbox"/> COBRA-AP1L	\$550	<input type="checkbox"/> FB-COBRA-AP1L
		<input type="checkbox"/> PRO-AP1V		\$340	<input type="checkbox"/> COBRA-AP1V	\$550	<input type="checkbox"/> FB-COBRA-AP1V	\$640

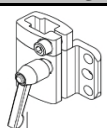


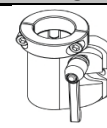
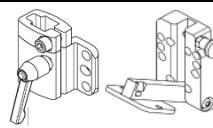
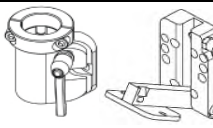
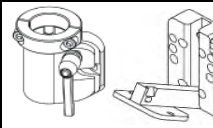
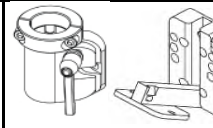
<b>DUAL MOUNT ADJUST -A- PLUSH</b>	19"	<input type="checkbox"/> PRO-P44L	\$560	N/A				
		<input type="checkbox"/> PRO-P44V	\$560					
		<input type="checkbox"/> PRO-P22L	\$470					
		<input type="checkbox"/> PRO-P22V	\$470					
	Large	<input type="checkbox"/> PRO-AP22L	\$560	<input type="checkbox"/> COBRA-AP22L	\$760	<input type="checkbox"/> FB-COBRA-AP22L	\$860	
		<input type="checkbox"/> PRO-AP22V	\$560	<input type="checkbox"/> COBRA-AP22V	\$760	<input type="checkbox"/> FB-COBRA-AP22V	\$860	
		Medium	<input type="checkbox"/> PRO-AP33L	\$560	<input type="checkbox"/> COBRA-AP33L	\$760	<input type="checkbox"/> FB-COBRA-AP33L	\$860
			<input type="checkbox"/> PRO-AP33V	\$560	<input type="checkbox"/> COBRA-AP33V	\$760	<input type="checkbox"/> FB-COBRA-AP33V	\$860
		Small	<input type="checkbox"/> PRO-AP11L	\$560	<input type="checkbox"/> COBRA-AP11L	\$760	<input type="checkbox"/> FB-COBRA-AP11L	\$860
			<input type="checkbox"/> PRO-AP11V	\$560	<input type="checkbox"/> COBRA-AP11V	\$760	<input type="checkbox"/> FB-COBRA-AP11V	\$860

<b>NARROW PLUSH</b>	<input type="checkbox"/> PRO-P12L	\$240	<input type="checkbox"/> COBRA-P12L	\$440	<input type="checkbox"/> FB-COBRA-P12L	\$540
	<input type="checkbox"/> PRO-P12V	\$240	<input type="checkbox"/> COBRA-P12V	\$440	<input type="checkbox"/> FB-COBRA-P12V	\$540

### Mounting Brackets - Use HCPCS Code E1028

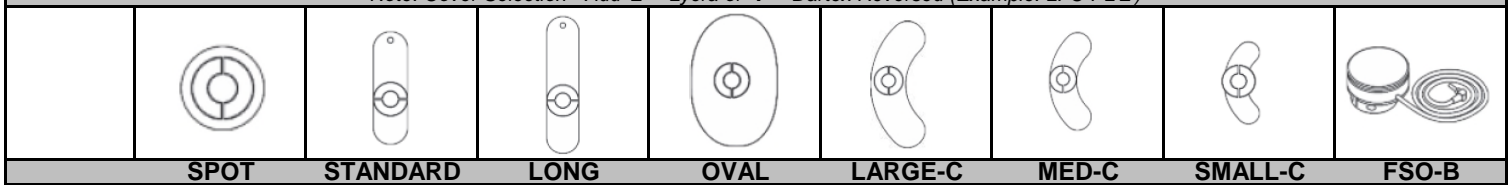
Head Support System Mounting Brackets must be ordered separately, except for COBRA

*Note: If Dual Mount Pad is selected then quantity 2 of the appropriate Mounting Bracket must be selected*

	AXYS	ONYX	LINX & LINXS <sup>2</sup>	PRO	COBRA mounting system includes detachable mounting bracket
<b>REMOVABLE MOUNTING BRACKET</b> <small>(PART SOLD SEPARATELY FROM POST &amp; PAD)</small>					
Detachable	<input type="checkbox"/> M2500    \$105	<input type="checkbox"/> M2100-WB    \$85	<input type="checkbox"/> M2300    \$165	<input type="checkbox"/> M2200-WB    \$185	
<b>REMOVABLE &amp; SWING-AWAY MNT BRACKET</b> <small>(PART SOLD SEPARATELY FROM POST &amp; PAD)</small>					
Swing-Away	<input type="checkbox"/> M5500    \$200	<input type="checkbox"/> M5100    \$185	<input type="checkbox"/> M5300    \$265	<input type="checkbox"/> M5200    \$285	

### Lateral Facial Supports

*Note: Cover Selection - Add L = Lycra or V = Dartex Reversed (Example: LFC-PL L)*



	SPOT	STANDARD	LONG	OVAL	LARGE-C	MED-C	SMALL-C	FSO-B
<b>Unilateral</b>	<input type="checkbox"/> LFC10-PLL \$220 LM115 \$80	<input type="checkbox"/> LFC15-PLL \$220 LM115 \$80	<input type="checkbox"/> LFC20-PLL \$220 LM115 \$80	<input type="checkbox"/> LFC25-PLL \$220 LM115 \$80	<input type="checkbox"/> LFC30-PLL \$220 LM115 \$80	<input type="checkbox"/> LFC35-PLL \$220 LM115 \$80	<input type="checkbox"/> LFC40-PLL \$220 LM115 \$80	<input type="checkbox"/> LFC80-PL \$255 LM115 \$80
	<input type="checkbox"/> LFC10-PLV \$220 LM115 \$80	<input type="checkbox"/> LFC15-PLV \$220 LM115 \$80	<input type="checkbox"/> LFC20-PLV \$220 LM115 \$80	<input type="checkbox"/> LFC25-PLV \$220 LM115 \$80	<input type="checkbox"/> LFC30-PLV \$220 LM115 \$80	<input type="checkbox"/> LFC35-PLV \$220 LM115 \$80	<input type="checkbox"/> LFC40-PLV \$220 LM115 \$80	

<b>Bilateral</b>	<input type="checkbox"/> LFC10-PL2L \$410 LM115 \$80	<input type="checkbox"/> LFC15-PL2L \$410 LM115 \$80	<input type="checkbox"/> LFC20-PL2L \$410 LM115 \$80	<input type="checkbox"/> LFC25-PL2L \$410 LM115 \$80	<input type="checkbox"/> LFC30-PL2L \$410 LM115 \$80	<input type="checkbox"/> LFC35-PL2L \$410 LM115 \$80	<input type="checkbox"/> LFC40-PL2L \$410 LM115 \$80	<input type="checkbox"/> LFC80-PL2 \$469 LM115 \$80
	<input type="checkbox"/> LFC10-PL2V \$410 LM115 \$80	<input type="checkbox"/> LFC15-PL2V \$410 LM115 \$80	<input type="checkbox"/> LFC20-PL2V \$410 LM115 \$80	<input type="checkbox"/> LFC25-PL2V \$410 LM115 \$80	<input type="checkbox"/> LFC30-PL2V \$410 LM115 \$80	<input type="checkbox"/> LFC35-PL2V \$410 LM115 \$80	<input type="checkbox"/> LFC40-PL2V \$410 LM115 \$80	
	<input type="checkbox"/> LFC10-PL2L \$410 LM115 \$80	<input type="checkbox"/> LFC15-PL2L \$410 LM115 \$80	<input type="checkbox"/> LFC20-PL2L \$410 LM115 \$80	<input type="checkbox"/> LFC25-PL2L \$410 LM115 \$80	<input type="checkbox"/> LFC30-PL2L \$410 LM115 \$80	<input type="checkbox"/> LFC35-PL2L \$410 LM115 \$80	<input type="checkbox"/> LFC40-PL2L \$410 LM115 \$80	
	<input type="checkbox"/> LFC10-PL2V \$410 LM115 \$80	<input type="checkbox"/> LFC15-PL2V \$410 LM115 \$80	<input type="checkbox"/> LFC20-PL2V \$410 LM115 \$80	<input type="checkbox"/> LFC25-PL2V \$410 LM115 \$80	<input type="checkbox"/> LFC30-PL2V \$410 LM115 \$80	<input type="checkbox"/> LFC35-PL2V \$410 LM115 \$80	<input type="checkbox"/> LFC40-PL2V \$410 LM115 \$80	

<b>Pad Only*</b>	<input type="checkbox"/> PL10L \$70	<input type="checkbox"/> PL15L \$100	<input type="checkbox"/> PL20L \$100	<input type="checkbox"/> P600L \$100	<input type="checkbox"/> PL30L \$100	<input type="checkbox"/> PL35L \$100	<input type="checkbox"/> PL40L \$90	N/A
	<input type="checkbox"/> PL10V \$70	<input type="checkbox"/> PL15V \$100	<input type="checkbox"/> PL20V \$100	<input type="checkbox"/> P600V \$100	<input type="checkbox"/> PL30V \$100	<input type="checkbox"/> PL35V \$100	<input type="checkbox"/> PL40V \$90	

### LATERAL FACIAL SUPPORT PARTS

*\*Note: If ordering an additional Lateral Facial Support, select both a Lateral Facial Support Pad Only from above and an Infinity Mount from below as well*

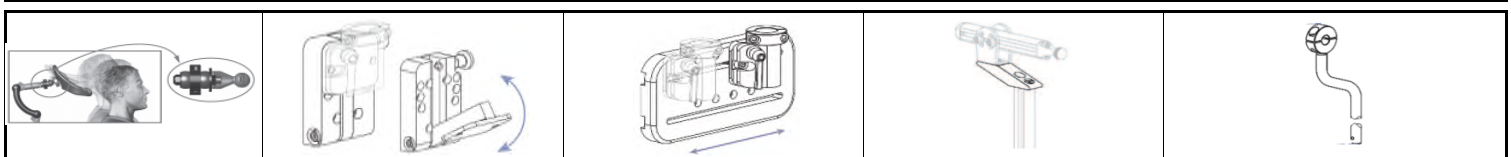
✓	Option #	Definition	Price
<input type="checkbox"/>	242161	Infinity Dual Mount Assembly*	\$195
<input type="checkbox"/>	LM1010	Lateral Facial Support*	\$125

### ANTERIOR HEAD SUPPORT



	DYNAMIC FOREHEAD STRAP	DFS <sup>2</sup>	STRAP CAP	STATIC FOREHEAD STRAP
<b>ADULT</b>	<input type="checkbox"/> DFS10 \$289	<input type="checkbox"/> DFSQ10 \$349	<input type="checkbox"/> CAP10 (black) \$400	<input type="checkbox"/> HU10 \$315
<b>PEDS</b>	<input type="checkbox"/> DFS30 \$289	<input type="checkbox"/> DFSQ30 \$349	<input type="checkbox"/> CAP30-R (red) \$400	
	<input type="checkbox"/> CAP30-B (blue) \$400			

### CUSTOM MOUNTING OPTIONS

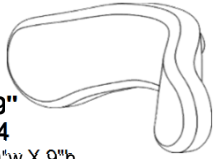
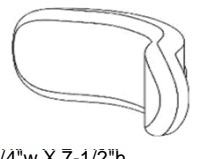
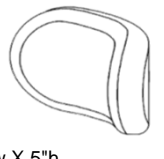


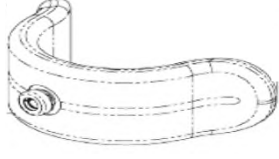
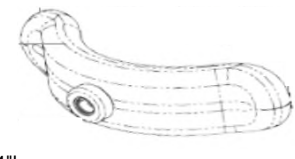
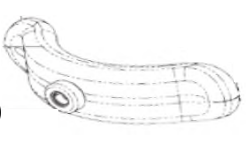
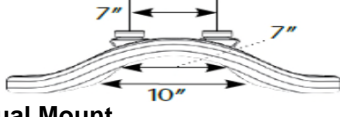
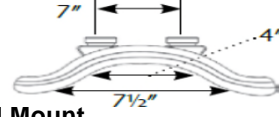
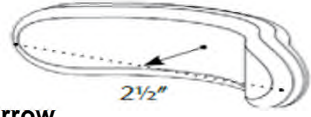


	FLEX INTERFACE BRACKET	UNIVERSAL SWING-AWAY MOUNT	SLIDE MOUNT	PRO OFF-SET MOUNTING SYSTEM	ONYX REARWARD OFF-SET VERTICAL ROD
<input type="checkbox"/>	M9450 (hard) \$185	<input type="checkbox"/> M5000 \$100	<input type="checkbox"/> M7010 \$95	<input type="checkbox"/> PRC7070 \$163	<input type="checkbox"/> OX6030 \$60
<input type="checkbox"/>	M8451 (soft) \$185				

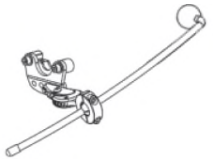
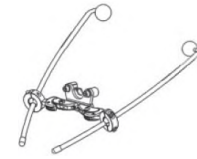
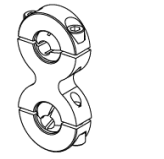
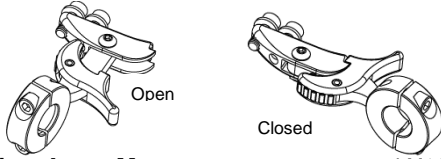
### TOOLS

✓	Option #	Definition	Price
<input type="checkbox"/>	BOLT LUBE	Bolt Lube	\$0
<input type="checkbox"/>	T2500	Tool Kit	\$3.33

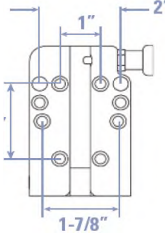
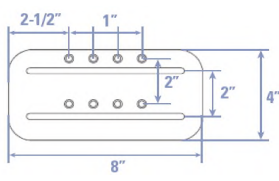

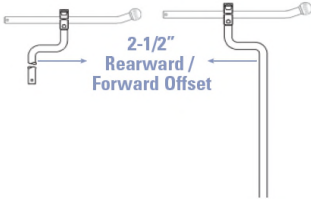
**Pad Styles**

<b>PLUSH</b>	 19" P4 19"w X 9"h	 14" P2 13-1/4"w X 7-1/2"h	 10" P1 9-1/4"w X 5"h	 8" P3 7-1/2"w X 5"h	 6" P8 6"w X 4"h
	<b>ADJUST -A- PLUSH</b>	 Large (Std) AP2 8"-18"w X 5"h	 Medium AP1 7"-16"w X 4"h	 Small (Narrow) AP1 6"-14"w X 3"h	
<b>SPECIALTY PLUSH</b>	 19" Dual Mount P44 19"w X 9"h	 14" Dual Mount P22 13-1/4"w X 7-1/2"h	 12" Narrow P12 13-1/4"w X 5"h		

**Lateral Facial Supports**

<b>MOUNTING HARDWARE</b>	 Unilateral	 Bilateral	 Infinity Mount	 Open Closed LM115
------------------------------	---	--	--	--

**CUSTOM MOUNTS**

 1-7/8" 1" 2"	 2-1/2" 1" 2" 2" 4" 8"	 Flip horizontal bar for 1-1/2" of forward adjustment	 2-1/2" Rearward / Forward Offset
<b>UNIVERSAL SWING-AWAY MOUNT</b>	<b>SLIDE MOUNT</b>	<b>PRO OFF-SET MOUNTING SYSTEM</b>	<b>ONYX REARWARD OFF-SET VERTICAL ROD</b>



Sunrise Medical (US) LLC