

BILLING/SHIPPING INFORMATION					
Date:		Name:			
PO Number:		Address:			
Branch:					
Mark for:		City:			
Dealer Contact:		State:			
Email Address:		Zip Code:			
Phone:		Phone:			
		QUOTE		ORDER	

A simple to use, yet comprehensive standing system providing prone and upright positioning .
Abduction configuration option available on the size 1 model.



Multistander size 1



Multistander 1 with Abduction
Size 1 Only



Multistander size 2
Configurations for representation only

KEY FEATURES

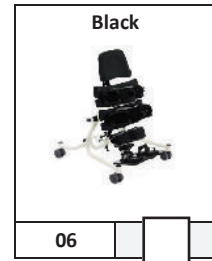
- Robust angle adjustment mechanism
- Angle adjustable footplate(s) as standard
- Polyurethane support surfaces with anti-microbial agent
- Lateral support pads include de-rotational straps to Correct Positioning

	Size 1 standard	Size 1 ABD	Size 2
Age Range (approx)	9 mths - 6 yrs	9 mths - 6 yrs	3 yrs - 13 yrs
User Height	24" - 46"	24" - 46"	43" - 61"
User Weight (max)	77 lbs	77 lbs	132 lbs
Chest/Hip Width	6" - 11"	6" - 11"	8" - 13"
Height (Footplate to top of upper support)	19" - 34"	20" - 35"	30" - 47"
Height (Floor to top of upper support board)	26" - 37"	26" - 37"	33" - 50"
Height (Floor to support board, at horizontal)	24"	24"	29"
Knee block width (center to center) min/max	5" - 8"	5" - 7"	5" - 8"
Footplate Angle	15° - 15°	15° - 15°	15° - 15°
Individual Leg Abduction - 5 degree increments	Trace	0° - 30°	Trace
Tilt-in-Space Angle	10° - 90°	10° - 90°	10° - 90°

Suggested HCPCS code: E0638**

***It is the responsibility of the CRT provider to determine the HCPCS code most appropriate for each circumstance. The HCPCS codes for reference only and are not to be deemed as legal advice. Actual coding and coverage varies by funding entities and the use of HCPCS does not guarantee coverage or payment.*



CHOOSE YOUR COLOR- All part numbers containing ** will color match





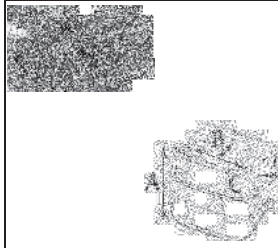
REQUIRED COMPONENTS

	Size 1	Size 1 ABD	Size 2
BASE	<p>White metal base with four locking casters and gas strut controlled angle adjustment including safety lock.</p> <p>A: 30" B: 24"</p> <p>MUS01-SUP \$1525 <input type="checkbox"/></p>	<p>White metal base with four locking casters and gas strut controlled angle adjustment including safety lock.</p> <p>A:30" B: 24"</p> <p>MUS01-SUP (ABD) \$1525 <input type="checkbox"/></p>	<p>White metal base with four locking casters and linear winding mechanism controlled angle adjustment.</p> <p>A: 4" B: 27"</p> <p>MUS02-SUP \$2152 <input type="checkbox"/></p>
COLUMN	<p>Support column for height adjustment and mounting support boards. Includes knee support receiver bracket. Size 1 Base Only</p> <p>C1 \$757 <input type="checkbox"/></p>	<p>Support column for height adjustment and mounting support boards. Includes individual abd legs and knee support receiver bracket. Size 1 Base Only</p> <p>C1ABD \$1626 <input type="checkbox"/></p>	<p>Support column for height adjustment and mounting support boards. Includes knee support receiver bracket. Size 2 Base Only</p> <p>C2 \$1082 <input type="checkbox"/></p>
FOOTPLATE	<p>One piece angle adjustable footplate offering plantar and dorsa flexion with mounting slots for sandals. Size 1 Base Only</p> <p>A: 15" B: 11"</p> <p>FP1 \$553 <input type="checkbox"/></p>	<p>Individual angle adjustable footplates offering plantar and dorsa flexion with mounting slots for sandals. Size 1 Base Only</p> <p>A:13" B: 6"</p> <p>FPABD \$831 <input type="checkbox"/></p>	<p>One piece angle adjustable footplate offering plantar and dorsa flexion with mounting slots for sandals. Size 2 Base Only</p> <p>A: 15" B: 13"</p> <p>FP2 \$791 <input type="checkbox"/></p>
SUPPORT BOARDS	<p>Independently adjustable thoracic and pelvic support boards with mounting slots for support pads. Made from hygienic PU.</p> <p>A: 8" B: 6" C: 2"</p> <p>1B-** \$1061 <input type="checkbox"/></p>	<p>Independently adjustable thoracic and pelvic support boards with mounting slots for support pads. Made from hygienic PU.</p> <p>A: 18" B: 6" C: 2"</p> <p>1B-** \$1061 <input type="checkbox"/></p>	<p>Independently adjustable thoracic and pelvic support boards with mounting slots for support pads. Made from hygienic PU.</p> <p>A: 20" B: 7" C: 2"</p> <p>2B-** \$1517 <input type="checkbox"/></p>

REQUIRED COMPONENTS- Please select one option from each section

TRUNK SUPPORT		Support pads with de-rotational straps (wedge shaped). Adjustable for height, width and angle. Pair		Support pads with de-rotational straps (paddle shaped). Memory foam, wrap-around pads with padded fabric cover. Pair													
		<table border="1"> <tr> <td>MB06-**</td> <td>\$469</td> <td><input type="checkbox"/></td> </tr> <tr> <td colspan="3">A: 4" B: 4" C: 4" D: 5" E: 1"</td> </tr> </table>			MB06-**	\$469	<input type="checkbox"/>	A: 4" B: 4" C: 4" D: 5" E: 1"			<table border="1"> <tr> <td>MB33</td> <td>\$626</td> <td><input type="checkbox"/></td> </tr> <tr> <td colspan="3">A: 7" B: 3" C: .9"</td> </tr> </table>	MB33	\$626	<input type="checkbox"/>	A: 7" B: 3" C: .9"		
		MB06-**			\$469	<input type="checkbox"/>											
		A: 4" B: 4" C: 4" D: 5" E: 1"															
		MB33			\$626	<input type="checkbox"/>											
		A: 7" B: 3" C: .9"															
<table border="1"> <tr> <td>MB07-**</td> <td>\$521</td> <td><input type="checkbox"/></td> </tr> <tr> <td colspan="3">A: 5" B: 4" C: 4" D: 6" E: 1"</td> </tr> </table>	MB07-**	\$521	<input type="checkbox"/>	A: 5" B: 4" C: 4" D: 6" E: 1"			<table border="1"> <tr> <td>MB34</td> <td>\$667</td> <td><input type="checkbox"/></td> </tr> <tr> <td colspan="3">A: 9" B: 3" C: .9"</td> </tr> </table>	MB34	\$667	<input type="checkbox"/>	A: 9" B: 3" C: .9"						
MB07-**	\$521	<input type="checkbox"/>															
A: 5" B: 4" C: 4" D: 6" E: 1"																	
MB34	\$667	<input type="checkbox"/>															
A: 9" B: 3" C: .9"																	
<table border="1"> <tr> <td>MB02-**</td> <td>\$743</td> <td><input type="checkbox"/></td> </tr> <tr> <td colspan="3">A: 4" B: 4" C: 8" D: 5" E: 1"</td> </tr> </table>	MB02-**	\$743	<input type="checkbox"/>	A: 4" B: 4" C: 8" D: 5" E: 1"			<table border="1"> <tr> <td>MB35</td> <td>\$733</td> <td><input type="checkbox"/></td> </tr> <tr> <td colspan="3">A: 9" B: 4" C: .9"</td> </tr> </table>	MB35	\$733	<input type="checkbox"/>	A: 9" B: 4" C: .9"						
MB02-**	\$743	<input type="checkbox"/>															
A: 4" B: 4" C: 8" D: 5" E: 1"																	
MB35	\$733	<input type="checkbox"/>															
A: 9" B: 4" C: .9"																	

PELVIC SUPPORT		Support pads with de-rotational straps (wedge shaped). Adjustable for height, width and angle. Pair Note image to right of MB02 configuration							
		<table border="1"> <tr> <td>MB06-**</td> <td>\$469</td> <td><input type="checkbox"/></td> </tr> <tr> <td colspan="3">A: 4" B: 4" C: 4" D: 5" E: 1"</td> </tr> </table>		MB06-**	\$469	<input type="checkbox"/>	A: 4" B: 4" C: 4" D: 5" E: 1"		
		MB06-**		\$469	<input type="checkbox"/>				
		A: 4" B: 4" C: 4" D: 5" E: 1"							
		<table border="1"> <tr> <td>MB07-**</td> <td>\$521</td> <td><input type="checkbox"/></td> </tr> <tr> <td colspan="3">A: 5" B: 4" C: 4" D: 6" E: 1"</td> </tr> </table>		MB07-**	\$521	<input type="checkbox"/>	A: 5" B: 4" C: 4" D: 6" E: 1"		
		MB07-**		\$521	<input type="checkbox"/>				
A: 5" B: 4" C: 4" D: 6" E: 1"									
<table border="1"> <tr> <td>MB02-**</td> <td>\$743</td> <td><input type="checkbox"/></td> </tr> <tr> <td colspan="3">A: 4" B: 4" C: 8" D: 5" E: 1"</td> </tr> </table>	MB02-**	\$743	<input type="checkbox"/>	A: 4" B: 4" C: 8" D: 5" E: 1"					
MB02-**	\$743	<input type="checkbox"/>							
A: 4" B: 4" C: 8" D: 5" E: 1"									

KNEE SUPPORT		PU knee blocks adjustable for height, width angle and depth. Complete with padded de-rotational knee straps. Pair						
		<table border="1"> <tr> <td>MB09-**</td> <td>\$416</td> <td><input type="checkbox"/></td> </tr> <tr> <td colspan="3">A: 4" B: 2" C: 3"</td> </tr> </table>	MB09-**	\$416	<input type="checkbox"/>	A: 4" B: 2" C: 3"		
		MB09-**	\$416	<input type="checkbox"/>				
		A: 4" B: 2" C: 3"						
		<table border="1"> <tr> <td>MB04-**</td> <td>\$483</td> <td><input type="checkbox"/></td> </tr> <tr> <td colspan="3">A: 5" B: 2" C: 4"</td> </tr> </table>	MB04-**	\$483	<input type="checkbox"/>	A: 5" B: 2" C: 4"		
		MB04-**	\$483	<input type="checkbox"/>				
A: 5" B: 2" C: 4"								

FOOT POSITIONING		Dimensions	Sandals	Sandal Risers	Sandals w/Ankle Snug	Dimensions	
		Size 1 A: 3" B: 7"				Size 1 A: 5"- 9" B: 5" C: 0"- 9"	
		Size 2 A: 4" B: 9"				Size 2 A: 7" - 12" B: 4.7" C: 0"-9"	

Sandals Ensure solid foot placement for effective leg positioning and standing. Pair

Size 1	S16	\$178	<input type="checkbox"/>
Size 2	S2	\$203	<input type="checkbox"/>
Size 3	S3	\$218	<input type="checkbox"/>

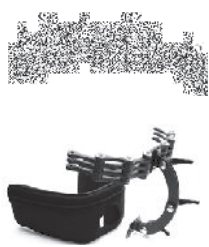
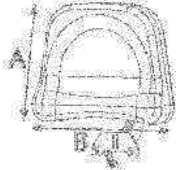
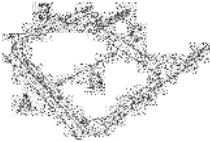
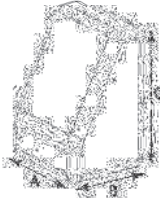
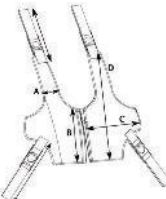

Sandal Risers Contain 4 blocks measuring .7" each and designed for use with 1 foot. Black

Size 1	SRB1	\$133	<input type="checkbox"/>
Size 2	SRB2	\$158	<input type="checkbox"/>
Size 3	SRB3	\$173	<input type="checkbox"/>

Sandals w/Ankle Snug Offers unique magnetic buckle which can be operated single handed, gray. Pair

Size 1	S19	\$387	<input type="checkbox"/>
Size 2	S21	\$438	<input type="checkbox"/>
Size 3	N/A		


OPTIONAL COMPONENTS

HEAD SUPPORT		<p>Multigrip Headrest Provides height, depth and angle adjustment. Includes removable black fabric cover. Available with 1 (A+B) 2 (A+B+C) or 3 (A+B+C+D) link sets. Black</p>		<p>Molded Head Support Anatomically molded polyurethane headrest for children who require minimal – moderate head support. Comes mounted on a flexible fixing bracket giving adjustment for height depth and angle.</p>			
		A: 5" B: 3" C: 3" D: 3"					
		MH06 (A-B)			\$708	<input type="checkbox"/>	
		MH01 01 (A-C)			\$770	<input type="checkbox"/>	
		MH05 (A-D)	\$797	<input type="checkbox"/>			
		A: 8" B: 11"		MH07-**	\$588	<input type="checkbox"/>	
TRAY ACCESSORIES		<p>Tray for use in prone or supine. Easy to attach and adjust for height, angle and depth and includes a tray infill for use in prone standing. Gray</p>		<p>Elbow Blocks Used to encourage arms into a midline position and/or to block excessive retraction. Gray Pair</p>			
		A: 25.6" B: 17.7" C: 14.6" D: 13" (w/insert)					
		Compatible with MUS01 only					
		MT02			\$802	<input type="checkbox"/>	
		A: 27.6" B: 20.9" C: 18.1" D 16.1" (w/insert)		Compatible with MUS02 only			
		MT03	\$1104	<input type="checkbox"/>	A: 3.9" B: 3.3" C: 5.5"		
				UBEB	\$286	<input type="checkbox"/>	
ADDITIONAL ACCESSORIES		<p>Zip Waistcoat Harness Provides additional trunk and shoulder stability for children with low tone. Zips from bottom up, Black</p>		<p>Multigrip Body Support Can be used as a shoulder protractor in Supine or to provide additional lumbar support between the trunk and pelvic boards. Compatible with size 2 only. Use of the Multigrip Pair Support extends user height range by 6"</p>			
		A: 2" B: 13" C: 6" D: 6" HB02CB			\$334	<input type="checkbox"/>	
		A: 3" B: 15" C: 7" D: 7" HB03CB			\$354	<input type="checkbox"/>	
		A: 3" B: 16" C: 8" D: 7" HB04CB			\$376	<input type="checkbox"/>	
		A: 11" B: 2 C: 3"		MUS2SS-**	\$521	<input type="checkbox"/>	



HEADALOFT

Additional External Head Support Option

<p>HeadAloft includes:</p> <ul style="list-style-type: none"> -Adjustable, removable, padded headrest with (2) buckle attachment straps-3 different sized, flip-away head support straps -Occipital support cushion 	
HEADALOFT	\$490