

# AXION

SEATING SOLUTIONS BY  Mobility

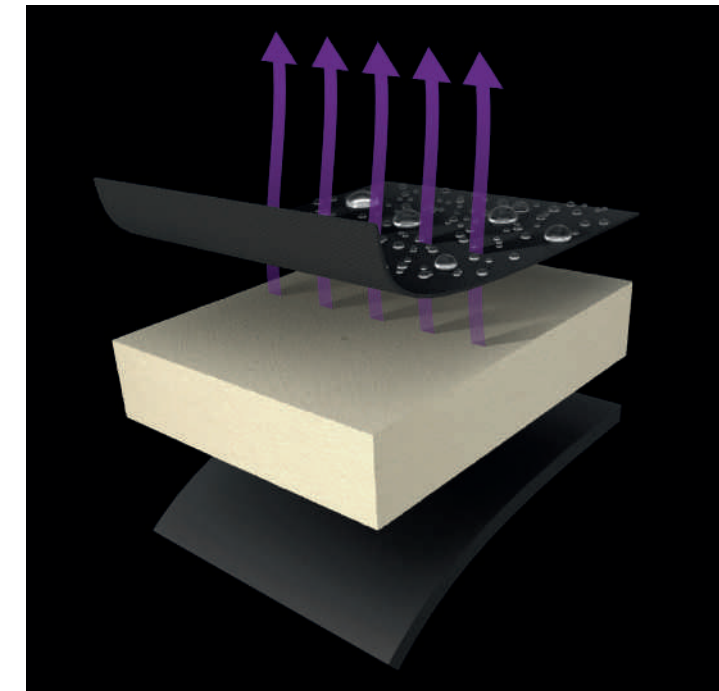
BACKS



# UNCOMPROMISING ADAPTABILITY



Designed for easy and precise installation, ease of adjustment and bold styling, Axiom Back is the new choice in back support that checks all the boxes. From the innovative **DEX** hardware, to the one tool adjustments and high-quality materials, Axiom Back eliminates choosing between form or function.



## UNIVERSAL COMPATIBILITY

Axiom Back features the most adaptable hardware ever. Select an Axiom Back for your wheelchair and our incredibly intuitive **inDEXing (DEX)** hardware will make installation and adjustment a snap! The mounting clamp of **DEX** hardware takes up the least amount of space on the back post and works with all back post styles, sizes and tube diameters. It takes the guess work out of choosing hardware.

## INTUITIVE ATTACHMENT

Remove the Axiom Back in a snap! Push the auto-resetting release levers under and simply lift the back to remove. The tall pins and cone shaped receivers automatically **inDEX** the back into place. Simply push down and you'll hear an audible click. Dynamically transit tested to the WC20 standard, you can rest assured the Axiom back provides secure support.

## INFINITE ADJUSTABILITY

Axiom Back provides independent height, depth and angle adjustment without the need to move the clamp on the back cane. The indexing feature of the brackets allows for simple symmetrical alignment. **DEX** hardware makes it possible to adjust the back for the proper fit with the rider in the chair.

INSTALLATION & ADJUSTMENT WITH ONE-TOOL!



## PREMIUM CONSTRUCTION

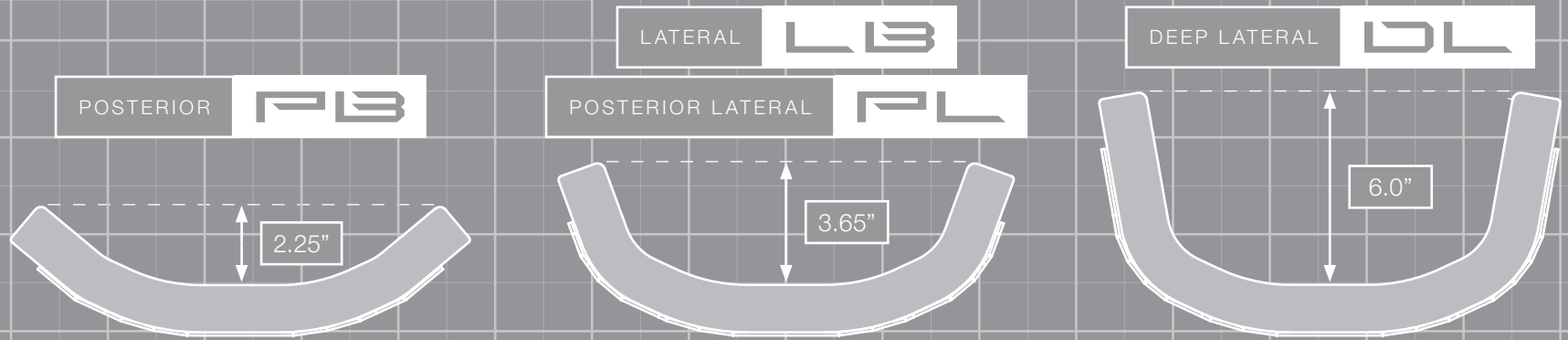
Like you have come to expect from the Axiom brand, the Axiom Back was designed with no compromise between durability and comfort. Built with high quality, high resiliency foam and revolutionary Darlexx® fabric. This stretch fabric with elastic monolithic membrane layer is breathable yet waterproof, so you can stay comfortable on a hot day and don't have to worry about getting caught in the rain.

# BACK SHELL DESIGN

Anthropometric data was used to understand how shape changes as height and width change to provide the best possible fit from the smallest number of shapes. Axiom Backs are designed with a lightweight aluminum shell that is formed into your choice of 4 different contour shapes and 3 levels of support options, creating optimal trunk stability and a personalized fit.

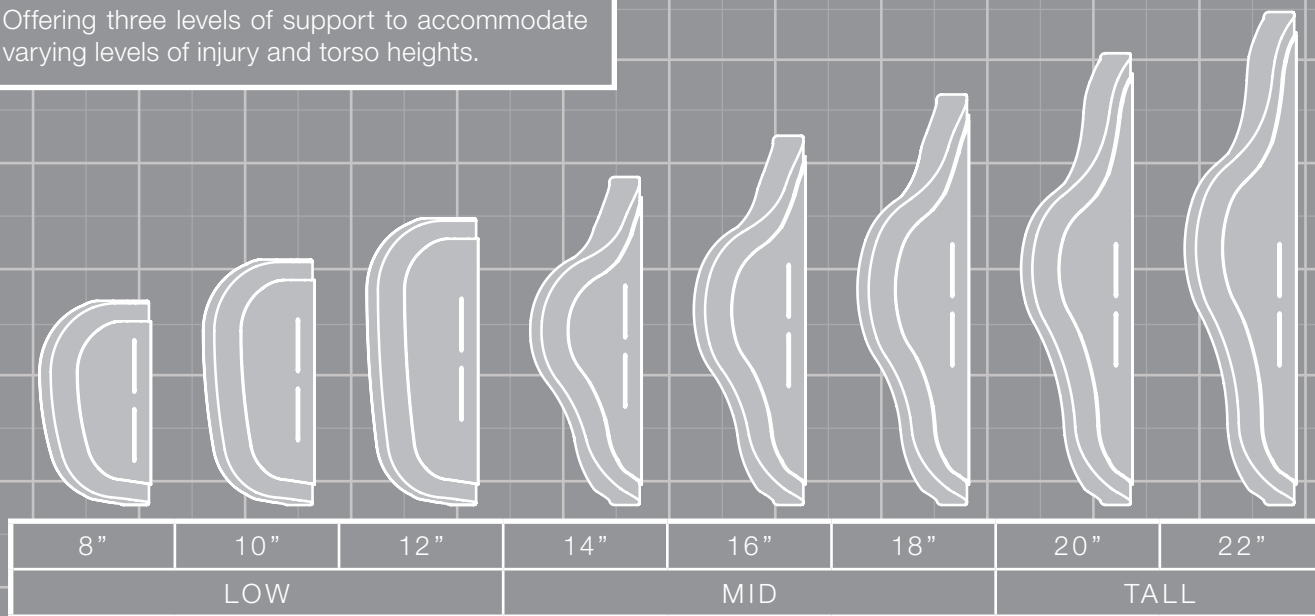
## CONTOURED SHAPES

Determined by the amount of lateral and posterior support desired.



## LEVELS OF SUPPORT

Offering three levels of support to accommodate varying levels of injury and torso heights.



## SPECIFICATIONS

- Weight Capacity: 300 lbs.
- Width Range: 12" - 22"
- Hardware Adjustability:
  - 20° Angle
  - 2.35" Height
  - +2" Width
  - 1.5" Depth

