



FOCUS *CR,*
FOCUS *CR*e**
FOCUS *CR TTL*

USER INSTRUCTION MANUAL & WARRANTY



Thank you for purchasing a Focus CR wheelchair!

Please do not use this wheelchair without first reading this entire manual. BEFORE riding, you should be trained in the safe use of this chair by an Assistive Technology Practitioner (ATP) or clinical professional.



Table of Contents

I.	INTRODUCTION	2
II.	TABLE OF CONTENTS	3
III.	NOTICE – READ BEFORE USE	5
	A. Your Safety and Stability	5
IV.	WARNINGS	6
	A. Signal Words.....	6
	B. General Warnings	7
	C. Positioning Belts	9
	D. Riding Your Wheelchair	10
	E. Power Drives.....	12
	F. Ascending Stairs.....	12
	G. Descending Stairs	13
	H. Transfers.....	13
	I. Your Wheelchair and the Environment	14
	J. Modifying Your Wheelchair.....	15
	K. Wheelchair Stability.....	15
V.	SET UP AND USE OF YOUR WHEELCHAIR	19
	A. Your Focus CR and Its Parts	19
	B. Transit Use.....	20
	C. Height Adjustable T-Arm	24
	1. Installation	24
	2. Height Adjustment.....	24
	3. Removal.....	24
	4. Adjusting Position	25
	D. Dual Post Height Adjustable Flip Back Armrest.....	26
	1. Installation	26
	2. Height Adjustment.....	26
	3. Flipping Back Armrest.....	26
	4. Removal.....	26
	E. Adjustable Locking Flip Up Armrests	27
	F. Armrest Warnings.....	28
	G. Swing Away Hangers	29
	1. Installation	29
	2. Swinging the Footrest Away	29
	3. Removal.....	29
	H. Extension Tubes	30
	1. Adjustment	30
	I. Elevating Leg Rests.....	31
	1. Installation	31
	2. Removal.....	31
	3. Extension Tube Adjustment	31
	4. Angle Adjustment	32
	J. Backrest	33
	1. Folding Backrest Down	33
	2. Angle Adjustment	33
	3. Adjusting Height	34
	4. Push Handle Angle Adjustment	34
	5. Removable Stroller Handle.....	34
	6. Dynamic Backrest	34
	K. Reclining Backrest.....	35
	1. Reclining Back Notes for Operation.....	35
	2. Recline/Incline	36
	3. Angle Adjustment of Recline Backrest Plates	37

Table of Contents

L.	Tilt Mechanism.....	38
	1. Hanger Operated (Trigger) Tilt	38
	2. Foot Operated Tilt	41
	3. Tilt Stops	41
M.	Seat Frame Setup	42
	1. Setting Seat Depth	43
	2. CG (Center of Gravity) Optimization.....	42
N.	Casters.....	44
	1. Adjusting Caster Arm Position	44
	2. Adjusting Caster Height	45
O.	Axle Plate.....	46
	1. Adjusting Axle Plate Position	46
	2. Adjusting Axle Sleeve Height	47
	3. Adjusting Axle Spacing	47
P.	Rear Wheels.....	48
	1. Installing Wheels.....	48
	2. Adjusting Axles.....	49
	3. Removing Wheels	49
Q.	Wheel Locks	50
	1. Adjusting Wheel Locks.....	50
	2. Reversing Wheel Lock Mount	50
	3. Reversing Wheel Lock Mounting Plate	51
	4. Adjusting Foot Pedal Angle (Attendant Foot Lock Only).....	52
R.	Frame Width	53
	1. Frame Width Adjustment	53
S.	Anti-Tips	54
	1. Flipping Anti-Tips Up.....	54
	2. Removing Anti-Tips.....	54
	3. Setting for Seat Height	54
T.	Seat Pan	55
	1. Removal	55
	2. Installation	55
	3. Length Adjustment	55
	4. Width Adjustment	56
U.	Bearings.....	57
	1. Replacement.....	57
V.	Vent and Battery Tray.....	58
	1. Instructions for Use	58
	1. Instructions for Transit Use	58
W.	Oxygen Tank Holder	58
	1. Instructions for Use	58
VI.	MAINTENANCE	59
	A. Inspecting Your Wheelchair.....	59
	1. General Inspections	59
	B. Routine Maintenance	60
	1. Weekly.....	60
	2. Monthly	60
	3. Annually.....	60
	C. Cleaning	61
	1. Axles and Wheels.....	61
	D. Storage	61
VII.	TROUBLESHOOTING	62
	A. Symptoms and Solutions	62
VIII.	WARRANTY	64

III. NOTICE - READ BEFORE USE

A. Your Safety and Stability

Ki Mobility manufactures many different wheelchairs that might meet your needs. You should consult an Assistive Technology Professional when selecting which model would best meet your particular requirements and how the wheelchair should be set up and adjusted. Final selection of the type of wheelchair, options and adjustments rests solely with you and your medical professional. The options you choose and the set-up and adjustment of the wheelchair have a direct impact on its stability. Factors to consider that affect your safety and stability are:

1. Your personal abilities and capabilities including strength, balance and coordination.
2. The types of hazards and obstacles you might encounter during your day.
3. The specific dimensions, options and set up. In particular, the seat height, seat depth, seat angle, back angle, size and position of the rear wheels and size and position of the front casters. Any change to any of these items will change the stability of your wheelchair. You should only make changes after consulting with a qualified professional.

IV. WARNINGS

A. Signal Words

Within this manual you will find what are referred to as “Signal” words. These words are used to identify and convey the severity of varying hazards. Before using this chair you, and each person who may assist you, should read this entire manual. Please note the Signal word and consider any warnings, cautions or dangers. Make sure to follow all instructions and use your chair safely. The Signal word refers to a hazard or unsafe practice that may cause severe injury or death to you or to other persons. The “Warnings” are in three main categories, as follows:

DANGER – Danger indicates an imminently hazardous situation which, if not avoided, will result in serious injury or death.

WARNING – Warning indicates a potentially hazardous situation which, if not avoided, could result in serious injury or death.

CAUTION – Caution indicates a potentially hazardous situation which, if not avoided, could result in injury or damage to your wheelchair.

These signal words will be placed throughout the manual, where appropriate to highlight the hazardous situation. Refer to the following list for hazardous situations that will apply to the general use of this wheelchair.

IV. WARNINGS

B. General Warnings

WARNING

WARNING: DO not exceed the max weight capacity of 300 pounds on the standard frame or 400 pounds on a heavy duty frame. Reference serial number label for chair max capacity. This is the combined weight of user and all items carried. Exceeding the weight limit can cause damage to your chair or increase the likelihood of a fall or tip back resulting in severe injury or death to the user or others.

DANGER

DANGER: Do not use this chair for weight training. The movement of the additional weight will alter the center of gravity of the wheelchair increasing the likelihood of a tip-over which can cause damage to your chair or cause severe injury or death to the user or others.

WARNING

WARNING: If your wheelchair is equipped with inflatable tires, make sure the tires have been inflated to the correct tire pressure as indicated on the side wall of the tire. Your wheelchair provider can determine if you have inflatable tires. In many cases the wheel locks will not function properly with under-inflated tires. Using your wheelchair without properly inflated tires can have an affect on the stability of the wheelchair causing it to tip over resulting in death or injury to the user.

DANGER

DANGER: Do not attempt to push your wheelchair up or down ramps or traverse across a slope of greater than 9 degrees. This is dangerous and increases the likelihood of a fall or tip back resulting in severe injury or death to the user or others.

IV. WARNINGS

B. General Warnings (Continued)

WARNING

WARNING: Do not attempt to push your wheelchair up an incline that is slick or coated with ice, oil or water. This can cause an unstable situation resulting in death or injury to the user or others.

WARNING

WARNING: Do not lean over the side or back of the wheelchair to extend your reach. This may cause you to fall out of the wheelchair or the wheelchair to tip over resulting in injury or death.

DANGER

DANGER: Do not attempt to lift the wheelchair by holding on to removable parts such as the arms or footrests. Only lift the wheelchair by holding on to the frame. This may cause a fall or loss of control and result in serious injury or death.

CAUTION

CAUTION: Do not over tighten the bolts and hardware that attach various components together on the frame. This could cause serious damage and affect the safety and durability of the wheelchair.

IV. WARNINGS

C. Positioning Belts

Positioning belts are designed to assist with proper positioning within the wheelchair. They are not designed as seat belts. Use positioning belts **ONLY** to help support the user's posture. Misuse of positioning belts may cause severe injury to or death of the user.

Ensure the user does not slide underneath the positioning belt in the wheelchair seat. If this occurs, the user's breathing may be hampered causing death or serious injury.

The positioning belt should have a snug fit; tight enough to hold their position, but not so tight as to restrict breathing. You should be able to slide your hand between the positioning belt and the user.

NEVER Use Positioning Belts:

1. As a restraint. A restraint requires a doctor's order.
2. On a user who is unconscious.
3. As an occupant restraint in a motor vehicle. A positioning belt is not designed to replace a seat belt that is attached to the frame of a vehicle, which would be required of an effective seat belt. During a sudden stop, with the force of the stop, the user would be thrown forward. Wheelchair seat belts will not prevent this, and further injury may result from the belts or straps. See Transit Use (Section B).



DANGER: Failure to comply with the instruction above could result in serious injury or death.

IV. WARNINGS

D. Riding Your Wheelchair

Your chair is designed for use on solid, flat surfaces such as concrete, asphalt and flooring. Use caution if you push your wheelchair on a wet or slick surface.



WARNING: Do not push your chair in sand, loose soil or over rough terrain. This may cause a loss of stability and result in a fall or loss of control and cause serious injury or death.



DANGER: In most states wheelchairs are not legal for use on public roads. If you find you must push on a public road be alert to danger of motor vehicles. Use of a wheelchair on a public road can cause serious injury or death.



WARNING: Obstacles and road hazards (such as potholes and broken pavement) can damage your chair and may cause a fall, tip-over or loss of control. Failure to comply with this instruction could result in serious injury or death.



DANGER: Do not ride your wheelchair on an escalator. Use of a wheelchair on an escalator can cause serious injury or death.

IV. WARNINGS

D. Riding Your Wheelchair (Continued)

To minimize these risks:

1. Keep a lookout for danger-scan the area well ahead of your chair as you ride.
2. Make sure the floor areas where you live and work are level and free of obstacles.
3. Remove or cover threshold strips between rooms.
4. Install a ramp at entry or exit doors. Make sure there is not a drop off at the bottom of the ramp.
5. To Help Correct Your Center Of Balance:
 - a. Lean your upper body FORWARD slightly as you go UP over an obstacle.
 - b. Press your upper body BACKWARD as you go DOWN from a higher to a lower level.
6. If your chair has anti-tip tubes, lock them in place before you go UP over an obstacle.
7. Keep both of your hands on the handrims as you go over an obstacle.
8. Never push or pull on an object (such as furniture or a doorjamb) to propel your chair.
9. Do not operate your wheelchair on roads, streets or highways
10. Do not attempt to push over obstacles without assistance.

IV. WARNINGS

E. Power Drives

Ki Mobility does not recommend the installation of power drive systems on any Focus CR wheelchair.

Focus CR wheelchairs have not been designed or tested as power wheelchairs. If you add a power drive system to a Focus CR wheelchair, be sure the manufacturer of the power drive system has validated and approved the combination of the power drive system and Focus CR wheelchair as safe and effective.

WARNING

WARNING: Use of a power drive system that has not been properly validated could result in serious injury or death.

F. Ascending Stairs

- Have at least two people, who have sufficient strength and skill to handle the weight of the user and wheelchair, assist when trying to go up a set of stairs in this wheelchair.
- Move the wheelchair and user **backwards** up the stairs.
- One person behind the user, one person in front. The person in front must hold onto a non-removable part of the wheelchair.
- The rear attendant tips the chair back and they both lift together. Take one step at a time.
- This may require the anti tips be flipped up or removed. Make sure the anti tips are reattached or flipped back down before using the wheelchair.

DANGER

DANGER: Failure to comply with the instructions above could result in serious injury or death.

IV. WARNINGS

G. Descending Stairs

- When descending a set of stairs the user should be facing forward.
- A person behind the user, who has sufficient strength and skill to handle the weight of the user and the wheelchair, should tilt the chair backward and let the chair down the stairs one step at a time on the rear wheels.
- This may require the anti tips be flipped up. Make sure the anti tips are flipped back down before using the wheelchair.



DANGER: Failure to comply with the instructions above could result in serious injury or death.

H. Transfers

A transfer requires good balance and stability. You should receive training from your therapist before attempting to do a transfer on your own.

- Before transferring out of your wheelchair every caution should be taken to reduce the gap between the two surfaces.
- Engage the wheel locks to lock the rear wheels.
- Rotate the casters forward to increase the wheelbase of the wheelchair.
- Remove or swing away the footrests
- Have someone assist you unless you are well experienced in transfers.

It is dangerous to transfer on your own. It requires good balance and agility. Be aware there is a point during every transfer when the wheelchair seat is not below you.



WARNING: Failure to perform a transfer properly can result in a fall and can cause severe injury or death.

IV. WARNINGS

I. Your Wheelchair and the Environment

- Your wheelchair is made of many different materials including metal and fabric. Exposure to water or excessive moisture may cause the metal in the wheelchair to rust or corrode and the fabric to tear. Dry your chair as soon as possible if exposed to water.
- **DO NOT USE YOUR WHEELCHAIR IN A SHOWER, POOL OR BODY OF WATER.** This will cause your wheelchair to rust or corrode and eventually fail.
- Do not operate your wheelchair in sand. Sand can get into the wheel bearings and moving parts. This will cause damage and eventually will cause the wheelchair to fail.
- Make sure any ramp, slope or curb cut you may attempt to ride on is compliant with ADA guidelines. Riding across, up or down any slope that is too great may cause a loss of stability.

ADA Guidelines and more information about accessible design are available at: <http://www.ada.gov/>



WARNING: Failure to comply with the instructions above may cause a fall or loss of control, which may result in serious injury or death.

IV. WARNINGS

J. Modifying Your Wheelchair

Your wheelchair was engineered and manufactured under strict design controls. An integral part of this process is ensuring the various components work together correctly; they have been tested to various standards to ensure quality and are approved to work together.

NO ONE SHOULD MODIFY THIS WHEELCHAIR EXCEPT BY ADJUSTING IT ACCORDING TO THIS MANUAL OR BY ADDING KI MOBILITY APPROVED OPTIONS. THERE ARE NO APPROVED OPTIONS THAT INVOLVE DRILLING OR CUTTING THE FRAME BY ANYONE OTHER THAN A TRAINED KI MOBILITY ASSOCIATE. Contact Ki Mobility or an authorized Ki Mobility supplier before adding any accessories or components not provided by Ki Mobility.

DANGER

DANGER: Failure to comply to these instructions may cause the wheelchair to fail and result in serious injury or death.

K. Wheelchair Stability

To ensure proper stability of your wheelchair you must make sure the center of gravity and the wheelchairs base of support is correct for your balance and abilities. Many factors can affect these two elements:

- Seat height
- Size and position of rear wheels
- Seat depth
- Size and position of front casters
- Back angle
- Any seating system components

Generally, the most important factor is the position of the rear wheels for rearward stability. There are other actions than can have an adverse effect on your stability. You should consult with your wheelchair provider and clinicians familiar with your needs and capabilities in determining how this affects your use.

IV. WARNINGS

K. Wheelchair Stability (Continued)

WARNING

WARNING: Moving the rear wheels forward increases the likelihood of the wheelchair tipping backwards. Make small adjustments and proceed slowly until you learn the new balance point of your wheelchair. Failure to comply to the instruction above could result in serious injury or death.

WARNING

WARNING: The farther rearward you place the front casters the greater the likelihood of the wheelchair tipping forwards. If possible, have your casters mounted forward and, whenever doing a static activity which involves shifting your weight, rotate the casters forward to increase your wheel base. Failure to comply to this instruction above could result in serious injury or death.

WARNING

WARNING: Always have a qualified technician set up your wheelchair with the accessories you plan to use daily.

WARNING

WARNING: Changes to how you sit or changes in your weight require your chair to be readjusted by a qualified technician. Always use anti-tips while you acclimate to any changes in your chair set up. Failure to comply to the instruction above could result in serious injury or death.

WARNING

WARNING: Changes to your Center of Gravity during your daily activities may occur many times a day and change and affect the stability of your wheelchair. You should be aware of these activities and take precautions to minimize the risk of a fall. Failure to comply with the instruction above could result in serious injury or death.

IV. WARNINGS

K. Wheelchair Stability (Continued)

WARNING

WARNING: Dressing in your wheelchair produces movements and momentary positions that can reduce stability. Insure that your anti-tips are in place and rotate your casters forward. Failure to comply with the instruction above could result in serious injury or death.

WARNING

WARNING: Be very careful when reaching for objects if this movement requires you to shift in your seat. This changes your center of gravity. Insure that your anti-tips are in place. Failure to comply with the instruction above could result in serious injury or death.

WARNING

WARNING: Pushing up an incline shifts your center of gravity rearward and can reduce stability. Ensure your anti tips are in place. Failure to comply with the instruction above could result in serious injury or death.

WARNING

WARNING: If attempting a wheelie to get over a curb or obstacle, ensure your anti-tips are in place and lean forward. Do not attempt a wheelie unless you have been trained and always have an attendant behind you to provide assistance if needed. Failure to comply with the instruction above could result in serious injury or death.

IV. WARNINGS

K. Wheelchair Stability (Continued)

WARNING

WARNING: Placing items on the back or front of your wheelchair, such as a backpack or briefcase, alters the balance and center of gravity of the wheelchair. Since the weight of these items can vary greatly at each use do not assume you are accustomed to the balance point. Failure to comply with the instruction above could result in serious injury or death.

BE AWARE THAT CARRYING HEAVY OBJECTS ON YOUR WHEELCHAIR CAN HAVE AN ADVERSE AFFECT ON THE BALANCE WHICH MAY CAUSE A TIP OVER WHICH MAY RESULT IN SERIOUS INJURY OR DEATH TO THE USER.

WARNING

WARNING: Insure your anti-tips are in place. You should discuss how you plan to use your wheelchair or any changes you are planning with your clinician. Failure to comply with this instruction may create a potential hazardous situation which, if not avoided, could result in serious injury or death.

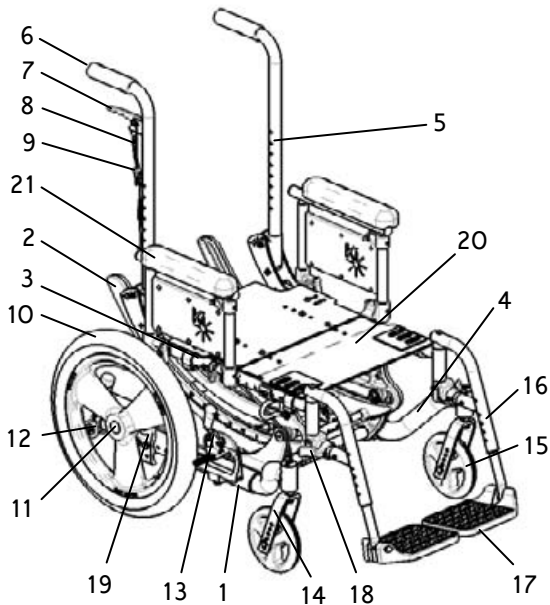
V. SET UP AND USE OF YOUR WHEELCHAIR

A. Your Focus CR and Its Parts

- Inspect and maintain this chair strictly per Maintenance Chart in Section VI.
- If you detect a problem, make sure to service or repair the chair before use.
- Have a complete inspection, safety check and service of your chair performed by an authorized supplier annually.

▲ WARNING ▲

Warning: Failure to read or comply with these instructions may result in damage to your wheelchair, a fall or loss of control causing severe injury to the user or others.



1. Base Tube
2. Rotary Frame
3. Seat Tube
4. Caster Arm
5. Back Cane
6. Push Handle
7. Tilt Lock Trigger
8. Tilt Cable
9. Trigger Lock Pin
10. Rear Wheel
11. Quick Release Axle
12. Anti-Tip
13. Wheel Lock
14. Caster Fork
15. Caster Wheel
16. Swing Away Hanger
17. Footrest
18. Swing Away Lever
19. Axle Plate
20. Seat Pan
21. Dual Post Armrest

V. SET UP AND USE OF YOUR WHEELCHAIR

B. Transit Use

1. It is always safest to transfer out of your wheelchair onto a seat in a motor vehicle with appropriate seat and shoulder belts. **Never use this wheelchair as a seat in a motor vehicle unless it has been equipped with the Transit Option.** The Focus CR wheelchair equipped with the Transit Option has been tested to and passed the **RESNA WC-4:2012, Section 19: Wheelchairs used as seats in motor vehicles and ISO 7176-19:2008 Wheelchairs -- Part 19: Wheeled mobility devices for use as seats in motor vehicles.** RESNA and ISO standards are designed to test the structural integrity of the wheelchair as a seat for use in a motor vehicle. These standards are also designed to create compatibility with **Wheelchair Tie-down and Occupant Restraint Systems (WTORS).**
2. Not all configurations of the Focus CR wheelchair are compatible with the Transit Option. Ki Mobility manages the configuration and does not offer the Focus CR wheelchair except in compatible configurations. If you make changes to your Focus CR wheelchair after you receive it, you should contact your wheelchair provider or Ki Mobility to make sure it is appropriate to continue to use your wheelchair as a seat in a motor vehicle.
3. Aftermarket seating may have replaced the original equipment seat and back support designed and tested as part of the Transit Option. Your wheelchair provider should tell you if the seating they provided is original equipment or replacement aftermarket seating. A complete system of wheelchair frame, seating, **Wheelchair Tie-down and Occupant Restraint Systems** and a properly equipped motor vehicle, that have all complied with the standards mentioned in this section, should be in place before using a Focus CR wheelchair equipped with the Transit Option as a seat in a motor vehicle.

V. SET UP AND USE OF YOUR WHEELCHAIR

B. Transit Use (Continued)

4. When using your wheelchair as a seat in a motor vehicle you should always observe the following instructions:
 - a. The rider must be in a forward-facing position.
 - b. The rider must not weigh more than 300 lbs (400 lbs for Heavy Duty option).
 - c. Backpacks and pouches should be removed and secured separately in the motor vehicle. In the event of an accident these items can become dangerous projectiles which may injure or kill you or other occupants of the motor vehicle.
 - d. The rider must use a Wheelchair Tie-down and Occupant Restraint System that complies with **RESNA WC-4:2012, Section 18: Wheelchair tie-down and occupant restraint systems for use in motor vehicles or ISO 10542-1:2012 Technical systems and aids for disabled or handicapped persons-- Wheelchair tie-down and occupant-restraint systems -- Part 1: Requirements and test methods for all systems.**

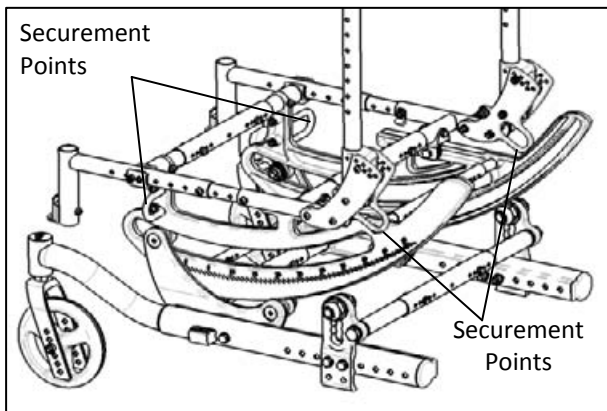


Figure 1

- e. Attach wheelchair tie-downs to the four securement points (two front, two rear) on the Focus CR wheelchair with the Transit Option (Fig. 1) in accordance with the wheelchair tie-down manufacturer's instructions and **RESNA WC-4:2012, Section 18 or ISO 10542-1:2012 - Part 1.**
- f. Attach occupant restraints in accordance with the occupant restraint manufacturer's instructions and **RESNA WC-4:2012, Section 18 or ISO 10542-1:2012, Part 1.**

V. SET UP AND USE OF YOUR WHEELCHAIR

B. Transit Use (Continued)

- g. Use of lap belts, chest straps, shoulder harnesses, any other positioning strap system or positioning accessory should not be used, or relied on as an occupant restraint, unless it is marked as such by the manufacturer in accordance with **RESNA WC-4:2012, Section 18 or ISO 10542-1:2012, Part 1.**
- h. Use of headrests, lateral supports or other positioning accessories should not be used, or relied on as an occupant restraint, unless it is marked as such by the manufacturer in accordance with **RESNA WC-4:2012, Section 18 or ISO 10542-1:2012, Part 1. or RESNA WC-4:2012, Section 20: Wheelchair seating systems for use in motor vehicles or ISO 16840-4:2009 Wheelchair seating -- Part 4: Seating systems for use in motor vehicles.**
- i. Any aftermarket seating should be tested to comply with **RESNA WC-4:2012, Section 20 or ISO 16840-4:2009 - Part 4.**
- j. Attach the seating to the wheelchair frame in accordance with the seating manufacturer's instructions and **RESNA WC-4:2012, Section 20 or ISO 16840-4:2009 - Part 4.**
- k. Aftermarket accessories such as trays, oxygen tank holders, oxygen tanks, IV poles, back packs, pouches and other items not manufactured by Ki Mobility should be removed and secured separately in the motor vehicle. In the event of an accident these items can become dangerous projectiles, which may injure or kill you or other occupants of the motor vehicle.
- l. If the wheelchair has been involved in an accident, you should not continue to use it, as it may have suffered fatigue that may not be visible.



DANGER: Failure to comply with any of these instructions could result in severe injury or death!

- m. When using this wheelchair as a seat in a motor vehicle you must remove any items attached to the vent tray, battery tray or oxygen tank holder and properly secure them separately.



DANGER: Failure to remove items attached to the vent tray, battery tray or oxygen tank holder and properly secure them separately in the motor vehicle can result in these items becoming dangerous projectiles in the event of an accident. Oxygen tanks contain a highly pressurized gas that vigorously accelerates combustion. Failure to heed this warning can result in severe injury or death.

Continued on next Page.

V. SET UP AND USE OF YOUR WHEELCHAIR

B. Transit Use (Continued)

- n. If the chair is equipped with an oxygen tank holder never use the wheelchair as a seat in a motor vehicle.



DANGER: Using a Focus wheelchair equipped with an oxygen tank holder as a seat in a motor vehicle can result in severe injury or death.

NOTE: To obtain copies of RESNA or ISO standards please contact the standards organizations below:

RESNA
1700 N Moore St Ste 1540
Arlington, VA 22209
Phone: 703-524-6686
Fax: 703-524-6630
Email: technicalstandards@resna.org

ANSI/RESNA Standards:

RESNA WC-4:2012, Section 18:

Wheelchair tie-down and occupant restraint systems for use in motor vehicles.

RESNA WC-4:2012, Section 18:

Wheelchair tie-down and occupant restraint systems for use in motor vehicles.

RESNA WC-4:2012, Section 20:

Wheelchair seating systems for use in motor vehicles.

International Organization for Standardization (ISO)

ISO Central Secretariat
1, ch. de la Voie-Creuse
CP 56
CH-1211 Geneva 20 Switzerland
Phone: +41 22 749 01 11
Fax: +41 22 733 34 30
Email: central@iso.org

ISO Standards:

ISO 10542-1:2012 Technical systems and aids for disabled or handicapped persons -- Wheelchair tie-down and occupant-restraint systems -- Part 1:

Requirements and test methods for all systems.

ISO 16840-4:2009 Wheelchair seating -- Part 4:

Seating systems for use in motor vehicles.

ISO 7176-19:2008 Wheelchairs -- Part 19:

Wheeled mobility devices for use as seats in motor vehicles.

V. SET UP AND USE OF YOUR WHEELCHAIR

C. Height Adjustable T-Arm

1. Installation

- Slide the outer arm post into the receiver mounted to the wheelchair frame.
- The armrest will automatically lock into place. Check to make sure the locking lever is as shown (Figure 2: B)

2. Height Adjustment

- Rotate release lever (Figure 2: A)
- Slide armrest pad up or down to desired height.
- Return lever to locked position against arm post.
- Push arm pad until upper arm post locks firmly into place. Check to make sure the locking lever is as shown (Figure 2: A)

3. Removal

- Squeeze release lever (Figure 2: B) and remove the armrest.

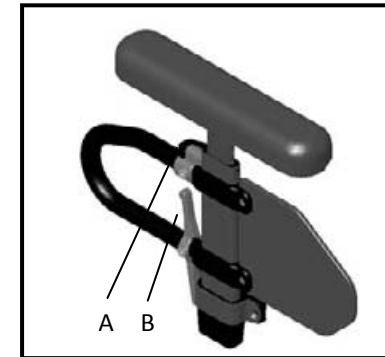


Figure 2

V. SET UP AND USE OF YOUR WHEELCHAIR

C. Height Adjustable T-Arm (Continued)

4. Adjusting Position

- a. Remove both screws (Figure 3: 1) from each armrest receiver (Figure 3: 2), retaining the spacers (Figure 3: 3) if installed. If not installed at factory, they are included in a separate bag in the packaging.
- b. Move receiver to desired location on seat frame and reinstall screws with washers and nuts and tighten.
- c. If screws for new armrest receiver location coincide with seat frame screws (Figure 3: 4 and 5), remove seat frame screws and replace with armrest receiver screws. Retain (do not discard) these screws for potential future use, or optionally, they may be retained by reinstalling them in an alternate location on the seat frame.
- d. If one of the armrest receiver screws lies on the center growth section of the seat frame, be sure to use the spacers (as described in step 1) around growth tube in location of mounting hole.

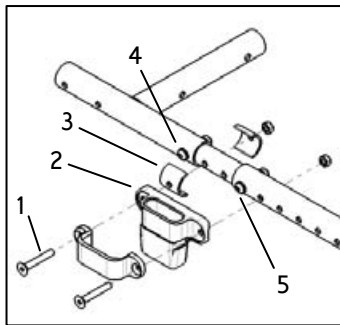


Figure 3



DANGER: Failure to comply with the instructions above may result in the armrest accidentally disconnecting from the wheelchair and result in a fall or loss of control and may cause serious injury or death.



DANGER: Never attempt to lift the chair by the armrests; they may break or disconnect resulting in a fall or loss of control and may cause serious injury or death.

V. SET UP AND USE OF YOUR WHEELCHAIR

D. Dual Post Height Adjustable Flip Back Armrest

1. Installation

- a. Ensure both levers (Figure 4: 1 and 2) are flipped upward.
- b. Set both posts of armrest into receivers until they are seated against the bottoms of the receivers.
- c. Flip levers back downward. Ensure locking pins are seated by lifting on armrest.

2. Height Adjustment

- a. Flip lever (Figure 4: 3) forward at the top of the front post of the lower frame of the armrest.
- b. Adjust height of armrest by pushing down or pulling upwards on arm pad near the center between the two posts of the armrest.
- c. When proper height is achieved, flip lever rearward again and move armrest up or down to allow pin to seat in nearest hole.

3. Flipping Back Armrest

- a. Flip lever (Figure 4: 1) on front armrest receiver.
- b. Lift upwards on arm pad and cross tube, allowing the armrest to flip back. Note: Do not push outward or backward on armrest when it is flipped back or damage to rear receiver may occur.

4. Removal

- a. Flip the levers (Figure 4: 1 and 2) on both receivers upward.
- b. Lift armrest out of receivers by pulling up on arm pad and cross tube.

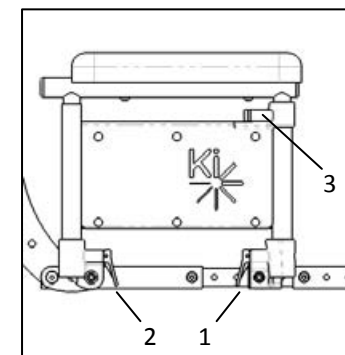


Figure 4

V. SET UP AND USE OF YOUR WHEELCHAIR

E. Adjustable Locking Flip Up Armrests

1. **To Lift Up** - Push or pull lever (Figure 5: A) until pin releases and arm is able to swing up. Lift arm assembly.

Arm is adjustable in 3 ways

1. **The arm tube can be lengthened.** (Figure 5) Unscrew the Philips head screws (A) attaching the pad to the tube. Also remove the M6 button head screw (B) with an M4 Allen wrench. Once removed the tube will slide forward in 1/2" increments. Choose the position needed and reinsert the M6 button head screw into the new position. The Pad will then fit back onto the tube. Repeat on the opposite side.
2. **The height of the arm, relative to the seat, can be changed.** (Figure 6) Remove the two 6mm hex bolts (C) that attach the clamp to the frame (as shown) with 10mm open end wrenches. The arm is then adjustable up or down in 1/2" increments. Reposition arm as desired and reinsert bolts and tighten nuts. Repeat on opposite side.
3. **The angle of the arm, relative to the back, can be changed.** (Figure 7) Remove the two M6 bolts (D) with an M4 Allen wrench. Rotate the assembly to the desired angle. After rotating two sets of holes (on opposite sides of the bracket) will align. Reinsert the M6 bolts into this pair of holes. Repeat on the opposite side.

Figure 5

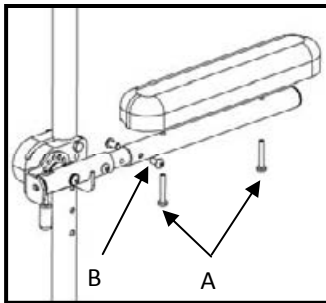


Figure 6

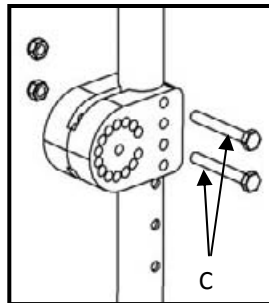
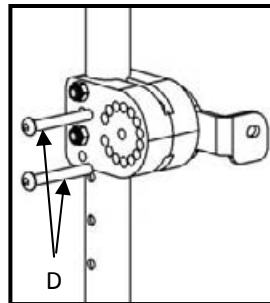


Figure 7



V. SET UP AND USE OF YOUR WHEELCHAIR

E. Adjustable Locking Flip Up Armrests (Continued)



DANGER: Always make sure the arms are locked in place before using them for repositioning yourself failure to do so may result in a fall or loss of control and may cause serious injury or death.



DANGER: Never attempt to lift the chair by the armrests; they may break or disconnect resulting in a fall or loss of control and may cause serious injury or death.

F. Armrest Warnings

- All Ki Mobility armrests are designed to detach from the chair and will not bear even the weight of this chair.
- NEVER lift this chair by its armrests. The armrests will release and the User may fall.
- Lift this chair only by non-detachable parts of the main frame.



WARNING: Failure to heed these instructions may result in a fall, tip-over or loss of control causing severe injury to the user or others.

V. SET UP AND USE OF YOUR WHEELCHAIR

G. Swing Away Hangers

1. Installation

- Place swing-away pivot saddle into the receiver on front frame tube with the footrest facing either inward or outward from the frame. (Figure 8 A)
- Rotate the footrest so that it aligns with the frame until it locks into place in the latch block. (Figure 8 B)

2. Swinging the Footrest away

- Push release latch toward the frame .
- Rotate footrest outward or inward as desired.

3. Removal

- To remove footrest, push release latch toward the frame.
- Lift the footrest straight upward to remove. You may also swing the footrest inward or outward before lifting it off.

Figure 8 A

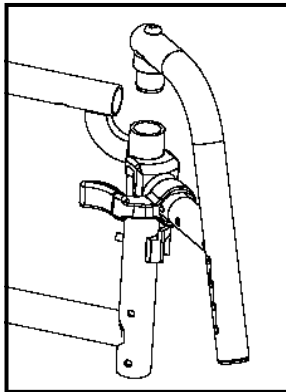
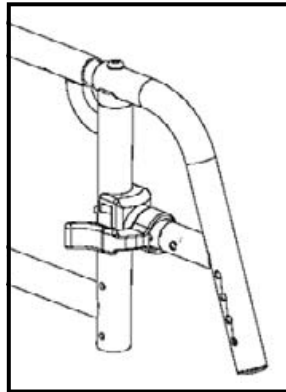


Figure 8 B



▲ WARNING ▲

WARNING: Always make sure the hangers are locked in place before using them or riding the wheelchair. Failure to do so may result in a fall or loss of control and may cause serious injury or death.

▲ DANGER ▲

DANGER: Never attempt to lift the chair by the hangers; they may break or disconnect resulting in a fall or loss of control and may cause serious injury or death.

V. SET UP AND USE OF YOUR WHEELCHAIR

H. Extension Tubes

1. Adjustment

- Remove mounting fasteners from each side of the hanger tube.
- Slide footrest extension tube to the desired height.
- Line up holes and reassemble fasteners in desired hole through hanger and extension tube.
- Follow same procedure on opposite side. (Figure 9 A)

At the lowest point, footrests should be **AT LEAST 2 1/2 INCHES** off the ground. If set too low, they may “catch” on obstacles you would expect to find in normal use. This may cause the chair to stop suddenly and tip forward. (Figure 9 B)

To Avoid A Trip Or Fall When You Transfer:

- Make sure your feet do not get caught in the space between the footrests
- Avoid putting weight on the footrests as the chair may tip forward.

Figure 9 A

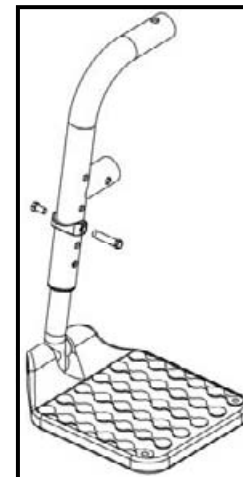
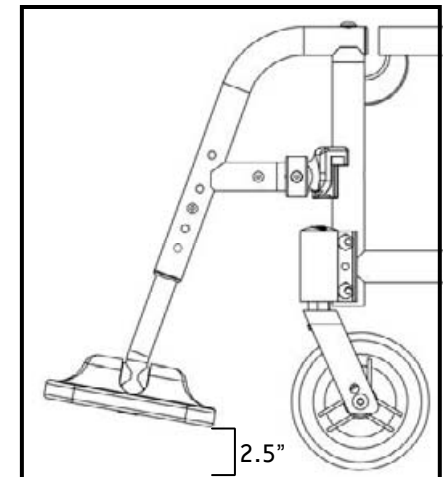


Figure 9 B



V. SET UP AND USE OF YOUR WHEELCHAIR

I. Elevating Leg Rests

1. Installation

- a. Place swing-away pivot saddle into the receiver on front frame tube with the footrest facing either inward or outward from the frame. Similar to swing away footrest pictured in Figure 8 A and B.
- b. Rotate the footrest so it aligns with the frame until it locks into place in the latch block.

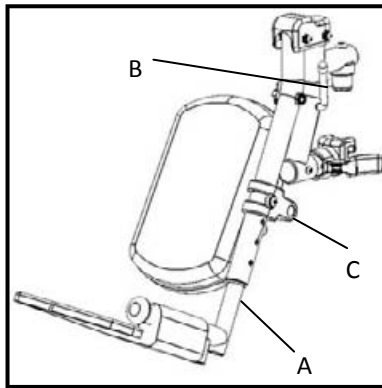
2. Removal

- a. To remove footrest, push release latch toward the frame.
- b. Rotate footrest outward and lift.

3. Extension Tube Adjustment

- a. Remove mounting bolt that is threaded into the leg rest tube in the center of the pad bracket (Figure 10: C). In some circumstances this bolt may be inserted in the tube below the pivot bracket.
- b. Slide footrest extension tube to the desired height.
- c. Line up holes and replace the bolt through leg rest tube and extension tube.
- d. Follow same procedure on opposite side.

Figure 10



V. SET UP AND USE OF YOUR WHEELCHAIR

I. Elevating Leg Rests (Continued)

4. Angle Adjustment

- a. To raise, lift up on the rear of the extension tube (Figure 10: A). The rod will slide through the ratchet in this direction. Stop at desired position.
- b. To lower, firmly hold the leg from behind the extension tube (Figure 10: A). Pull forward on the lever (Figure 10: B) and while holding the lever, lift the leg rest. Releasing the lever will cause the leg rest to lock into position.

To Avoid A Trip Or Fall When You Transfer:

- Make sure your feet do not get caught in the space between the footrests.
- Avoid putting weight on the footrests as the chair may tip forward.

▲ WARNING ▲

WARNING: At the lowest point, footrests should be AT LEAST 2 1/2 INCHES off the ground. If set too low, they may “catch” on obstacles you would expect to find in normal use. This may cause the chair to stop suddenly and tip forward and could result in a fall or loss of control and may cause serious injury or death

▲ DANGER ▲

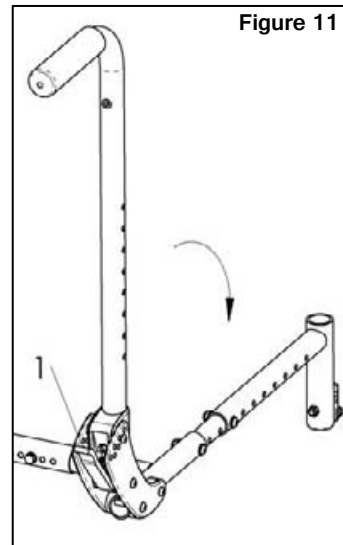
DANGER: Never attempt to lift the chair by the hangers; they may break or disconnect resulting in a fall or loss of control and may cause serious injury or death.

V. SET UP AND USE OF YOUR WHEELCHAIR

J. Backrest

1. Folding Backrest Down

- If chair is equipped with a fold down backrest, push levers (Figure 11: 1) toward the front of the chair to disengage the latches. If backrest seating is attached, both latches must be disengaged simultaneously in order to allow the backrest to fold.
- Push forward on the backrest to rotate it downward. Once it begins to rotate forward, the latch levers may be released.



2. Angle Adjustment

- Using a 4mm Allen wrench and a 10mm wrench, remove Button Head Screws (Figure 12: 1) with their washers and nuts.
- Rotate backrest to desired angle. Each hole represents 5° of rotation. The upper row of holes correspond to -5°, 5°, 15° and 25°, and the lower row of holes correspond to 0° (vertical), 10° and 20°. (See Figure 13)
- Replace button head screw and tighten with washer and nut.

Fig. 12

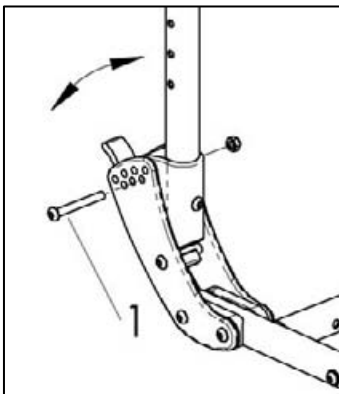
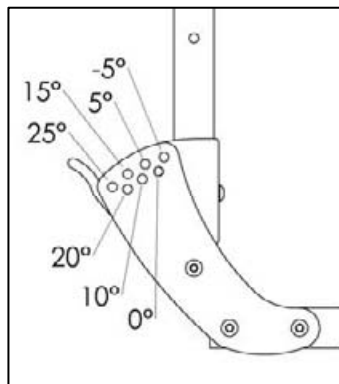


Fig. 13



V. SET UP AND USE OF YOUR WHEELCHAIR

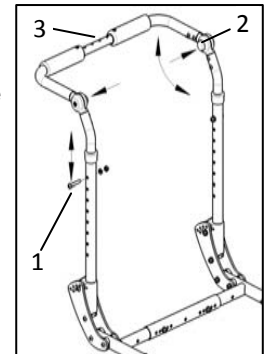
J. Backrest (Continued)

- Repeat for opposite side of chair

3. Adjusting Height

- If chair is equipped with a height adjustable backrest, remove both screws (Figure 14: 1)) of the telescoping backrest tubes using a 4mm Allen wrench and a 10mm wrench.
- Move upper tubes up or down to set height as desired.
- Replace screws with washers and nuts to set height.

Figure 14



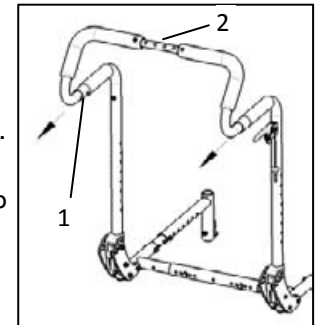
4. Push Handle Angle Adjustment

- If chair is equipped with a height adjustable backrest, push buttons of locking hinges (Figure 14: 2). Both buttons must be pressed simultaneously to adjust angle.
- While holding buttons down, rotate push handle to desired position.
- Release buttons when desired angle is achieved.
- Verify that hinge is locked by pulling upwards on push handles.

Figure 15

5. Removable Stroller handle

- Depress buttons (Figure 15: 1) on both sides of chair toward lower end of stroller tubes to disengage locking tabs.
- Pull handle out of receivers to remove or push stroller handle in to receivers to install. For best results, insert both sides at the same time.
- Verify snap buttons are engaged in



▲ DANGER ▲

DANGER: Do not attempt to lift or tilt the wheelchair by holding the center strut that joins the Adjustment Height Back push handles (Figure 14: 3) or the center strut that joins Removable Stroller Handle push handles (Figure 15: 2). These struts may break resulting in a fall or loss of control and may cause serious injury or death.

6. Dynamic Back

V. SET UP AND USE OF YOUR WHEELCHAIR

K. Reclining Backrest

▲ WARNING ▲

WARNING: Back height, back angle, seat depth, tilt angle, recline angle, seat height, size/position of rear wheels, size/position of front casters and any added weight to the back of the chair such as accessories, backpacks and oxygen tanks all relate to and effect the stability of the wheelchair. Any adjustments or change to one or more of the items listed above can decrease the stability of the wheelchair. Take caution when making changes to the above items. Consult a qualified technician when adjusting back height, back angle, seat depth, seat height, size/position of rear wheels and size/position of front casters. Inappropriate adjustments can result in serious injury.

Reclining Back Notes for Operation

1. After making any adjustments to the system make sure all attaching hardware is securely tightened.
2. Always make sure the wheelchair is stable in the fully reclined position. Depending on the angle of the backrest, the full recline position can be 85°, 75° or 65° and is relative to the full upright position. Full upright position is measured as 0°.
3. Always engage the wheel locks while reclining or inclining to ensure maximum safety of the patient.
4. Before using the reclining backrest make sure that the anti-tippers are adjusted properly to ensure the wheelchair will not become unstable when in use. See anti-tip instructions on pg. 54 of this owner's manual.

▲ DANGER ▲

DANGER: Tilting or reclining the chair beyond level greatly increases the risk of falling out of the chair, which can result in serious injury or death.

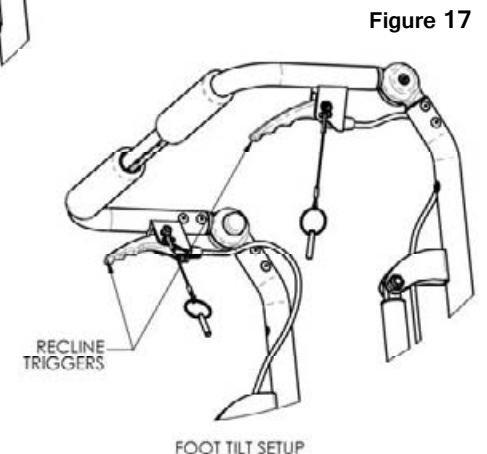
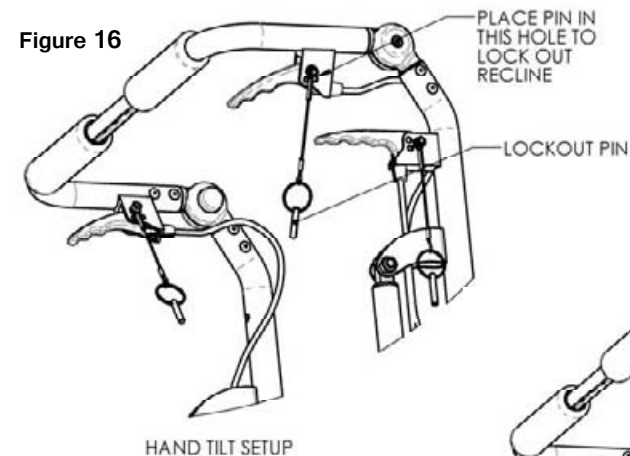
V. SET UP AND USE OF YOUR WHEELCHAIR

K. Reclining Backrest (Continued)

Instructions For Use:

Recline/Incline:

1. To unlock the system prior to recline or incline adjustment by removing the locking pin from locking hole on each recline trigger. (See Fig. 16)
2. Make sure wheel locks are engaged and wheelchair is on a level surface.
3. Grip the handles securely and slowly depress both reclining triggers (Fig. 17) at the same time to release the gas cylinders. This will allow you to adjust the backrest position as follows:
 - a. **Reclining** – to open the angle of the backrest relative to the seat frame, or recline, by applying downward force on gas springs.
 - b. **Inclining** – return to upright position by applying force upward and pushing the backrest towards the front of the wheelchair.
4. Once desired backrest recline angle has been achieved, slowly release both reclining triggers.
5. To lock the system insert the locking pin into the locking pin hole (Fig. 16). It is recommended that you always lock both reclining backrest triggers when you are done positioning the patient.



V. SET UP AND USE OF YOUR WHEELCHAIR

K. Reclining Backrest (Continued)

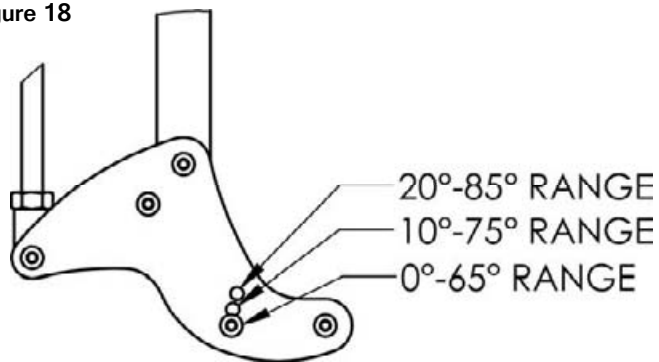
Angle Adjustment of Recline Backrest Plates:



WARNING: Remove patient from wheelchair prior to making this adjustment. Failure to do so could result in death or serious injury.

1. The reclining option comes with three different backrest angle adjustment options. See fig. 18 for range information prior to making the adjustment.
2. Using a 4mm Allen wrench and a 10mm wrench, remove Button Head Screws (fig. 18) with their washers and nuts.
3. Rotate backrest to desired angle. Each hole represents 65° of rotation. (fig. 18)
4. Replace button head screw and tighten with washer and nut until securely fastened.
5. Repeat for opposite side of chair.

Figure 18



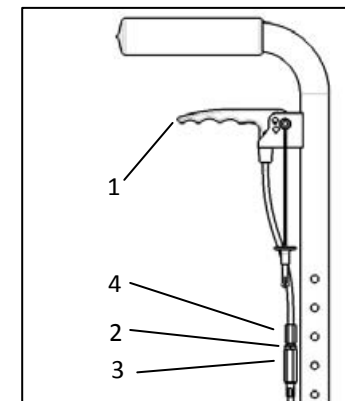
V. SET UP AND USE OF YOUR WHEELCHAIR

L. Tilt Mechanism

1. Hand Operated (Trigger) Tilt

- a. Tilting Seat Frame
 - i. Squeeze trigger (Fig. 19: 1).
 - ii. While keeping triggers depressed, rotate seat frame to desired position.
 - iii. Release trigger to lock into place.
- b. Cable Adjustment
 - i. Unlock jam nut (Fig. 19: 2) from cable adjuster body (Fig. 19:3) using a 10mm and 3/8" open ended wrench.
 - ii. Thread cable adjuster (Fig. 19: 4) in or out until slack in cable is eliminated but also such that the cogs are still fully seated in the teeth of the rotary frames.
 - iii. Verify function of the cable. Tilt mechanism should lock at all locations, and cogs should not drag along the teeth at any location. If the cogs drag or if there is excessive play in the triggers, the male adjuster must be unthreaded more. If the cog is disengaged at all from the teeth, the adjuster must be threaded into the body further.
 - iv. Once cable is adjusted and function is verified, re-lock the jam nut against the cable adjuster body by tightening the nut only, not the male adjuster or the adjuster body.

Figure 19



V. SET UP AND USE OF YOUR WHEELCHAIR

L. Tilt Mechanism (Continued)

- c. Locking Triggers. Pins are provided to secure the trigger in either the locked or unlocked position.
 - i. To secure the triggers in the locked position:
 - a. Determine which style back canes and trigger were provided with the chair by checking against figures 20a and 20b.
 - b. Make sure the chair is locked by pushing on the back handles.
 - c. Insert the pin attached to the trigger by a lanyard into hole number 1.
 - d. Make sure the trigger no longer releases the tilt locks by gently squeezing the trigger and pushing on the back canes to tilt the chair.

Figure 20a

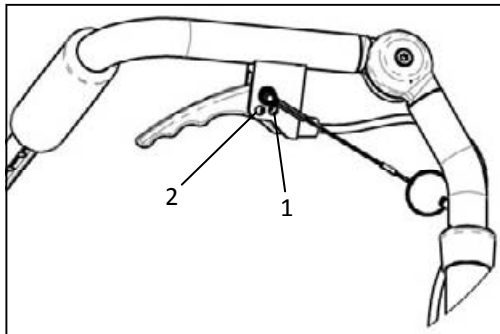
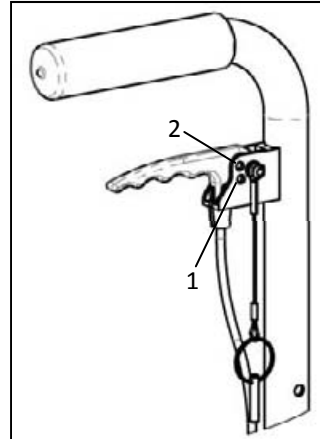


Figure 20b



V. SET UP AND USE OF YOUR WHEELCHAIR

L. Tilt Mechanism (Continued)

- ii. To secure the triggers in the unlocked position:
 - a. Determine which style back canes and triggers were provided with the chair by checking against figures 20a and 20b.
 - b. Squeeze the triggers to unlock the tilt mechanism while holding the back canes and controlling the tilt position.
 - c. Allow the seat frame to tilt until it comes to rest in a stable position.
 - d. Insert the pin attached to the trigger by a lanyard into hole number 2 (fig. 20b).

Note: This feature is intended to be used solely for the purposes of adjusting CG which is covered in Section V: L: CG (Center of Gravity) Optimization.

Figure 20a

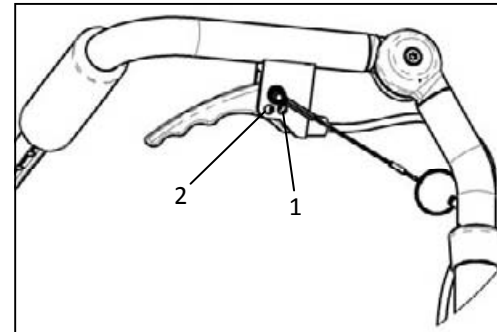
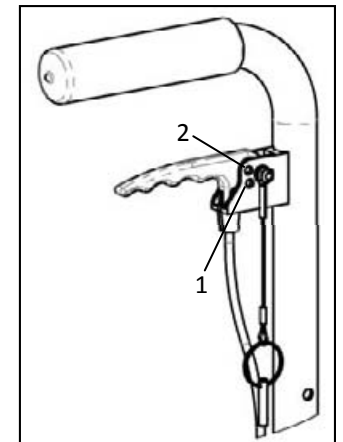


Figure 20b



⚠ WARNING ⚠

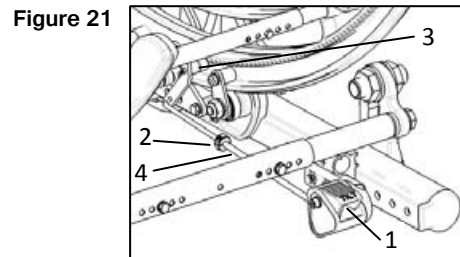
WARNING: Never leave someone seated in the chair unattended with the triggers secured in the unlocked position. This may lead to serious injury to the person seated in the wheelchair.

V. SET UP AND USE OF YOUR WHEELCHAIR

L. Tilt Mechanism (Continued)

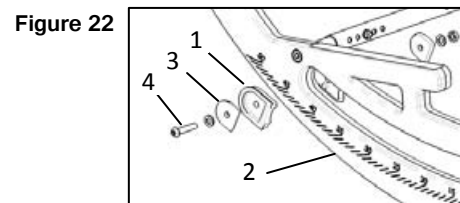
2. Foot Operated Tilt

- a. Tilting Seat Frame
 - i. Depress foot tilt pedal (Fig. 21: 1).
 - ii. Rotate seat frame to desired position while keeping pedal depressed.
 - iii. Release pedal to lock into place.
- b. Linkage Adjustment
 - i. Using a 3mm Allen wrench, loosen locking collar (Fig. 21: 2) by loosening screw in collar.
 - ii. With cog (Fig. 21: 3) fully engaged in rotary frame teeth, and with tilt pedal released, reposition locking collar against end of tube (Fig. 21: 4) and tighten clamp screw



3. Tilt Stops

- a. Place tilt stop pads (Fig. 22: 1) on both sides of each rotary frame (Fig. 22: 2) at desired location. Pads should nest together.
- b. Place thrust plates (Fig. 22: 3) into pockets on pads.
- c. Insert and tighten screw (Fig. 22: 4) with nut and washer to lock into place.
- d. To change, remove tilt stops and reassemble according to the instructions above at the new desired location.



V. SET UP AND USE OF YOUR WHEELCHAIR

M. Seat Frame Setup

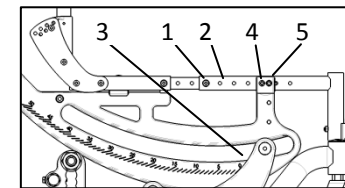
1. Setting Seat Depth

- a. Using a 5mm Allen wrench and a 13mm wrench, remove depth adjustment screws from seat pan, or remove seat pan (see section S).
- b. Using a 4mm Allen wrench and a 10mm wrench, remove button head screw (Fig. 23: 1) with nut and washer from front seat frame (Fig.23: 2) on each side of chair.
- c. Slide rear seat frame in or out as desired to set the seat depth.
- d. Replace button head screws in new location, placing screws in rearmost hole in front seat frame.

2. CG (Center of Gravity) Optimization

- a. Place occupant in chair, with all equipment that attaches to upper frame, such as foot boxes, backpacks, etc.
- b. Lock wheel locks (if equipped).
- c. Squeeze Triggers (if hand operated tilt) or depress foot pedal (if foot operated tilt). Lock triggers in this position using locking pins (see section K.1.c), or if foot operated tilt, use a zip tie or other means of holding foot pedal down.
- d. Allow rotary frame to find its resting place. A slight rocking motion applied to the push handles can be used to determine where the center of the resting place lies.

Figure 23

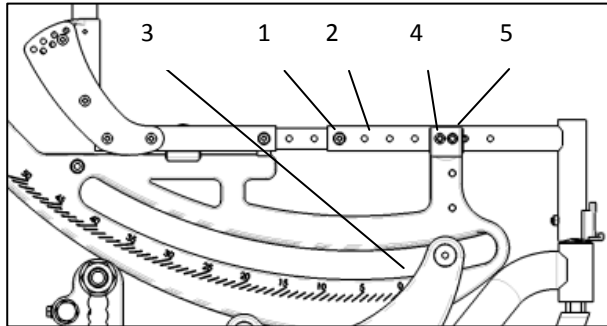


V. SET UP AND USE OF YOUR WHEELCHAIR

M. Seat Frame Setup (Continued)

- e. Observe the tilt angle by viewing the angular scale on the side of the rotary frame. The angle is indicated by the rear edge of the bearing plate (Fig. 24: 3). Resting angle for optimum performance is 17-23°. If frame rests outside of this range, remove the seat frame position locking screws (Fig. 24: 4) using a 5mm Allen wrench.
- f. If resting angle is larger than 23°, pull seat frame toward the front of the chair until approximate 20° resting angle is achieved. If frame rests at an angle smaller than 17°, push seat frame toward the rear until approximately 20° is achieved.
- g. Different occupants will respond differently, but a good starting point is to move the seat frame ½" for every 5° that the angle is off from 20°.
- h. Once optimum position is achieved, reinstall and tighten positioning screws in holes closest to optimum position. Screws may be placed in front or rear hole of Seat Frame Saddle (Fig. 24: 5).

Figure 24



V. SET UP AND USE OF YOUR WHEELCHAIR

N. Casters

1. Adjusting Caster Arm Position

- a. Using 13mm wrench, remove 8mm hex bolt (Fig. 25a: 1).
- b. Slide Caster Arm (Fig. 25a: 2) to desired location, aligning holes in Caster Arm with hole in Base Frame.
- c. Replace hex bolt thru aligned holes. Nut for bolt is captured in pocket inside of base frame.
- d. Ensure both sides are positioned identically.
- e. The back of hanger the receiver tube (Fig. 25a and 25b: 3) should not be positioned beyond the front of the caster stem bearing tube (Fig. 25a and 25b: 4) as shown in figure 25b. If it does, follow steps a. through d. until it appears as shown in fig. 25a.

NOTE: The hanger receiver may be positioned behind the caster stem bearing tube.

Figure 25a

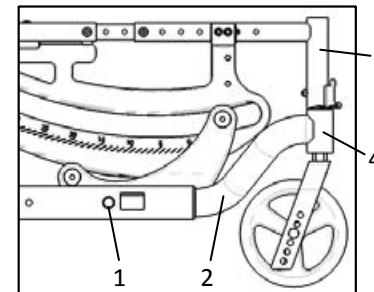
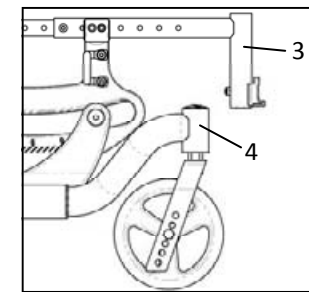


Figure 25b



DANGER: Failure to comply with the instructions above may cause the wheelchair to tip forward during use and result in a fall or loss of control and may cause serious injury or death.

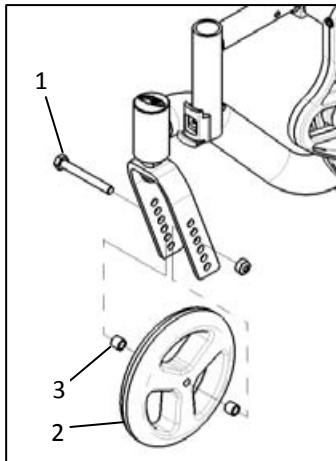
V. SET UP AND USE OF YOUR WHEELCHAIR

N. Casters (Continued)

2. Adjusting Caster Height

- a. Remove hex bolt (Fig. 26: 1) and nut using 13mm wrenches.
- b. Remove caster wheel (Fig. 26: 2) and spacers (Fig. 26: 3).
- c. Feed hex bolt thru desired hole in one side of the caster fork.
- d. Slide one spacer over hex bolt.
- e. Slide caster wheel over hex bolt and push hex bolt thru caster wheel, flush with the opposite side of the caster wheel bearing.
- f. Slide second spacer between caster wheel and caster fork, aligning spacer with bearing hole.
- g. Push hex bolt thru spacer and hole in opposite side of caster fork.
- h. Re-tighten hex bolt with nut.
- i. Repeat for opposite side of chair. Ensure both casters are set up identically.

Figure 26



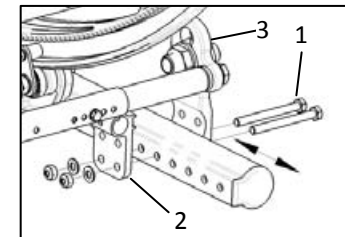
V. SET UP AND USE OF YOUR WHEELCHAIR

O. Axle Plate

1. Adjusting Axle Plate Position

- a. Using two 13mm wrenches, remove axle plate screws (Fig. 27: 1) from both sides of chair, noting orientation of anti-tip receiver (Fig. 27: 2).
- b. Slide axle plates (Fig. 27: 3) simultaneously forward or rearward to desired location.
- c. Replace and tighten axle plate screws.
- d. If equipped with foot operated tilt, the tilt lock linkage will need to be re-adjusted (see section K.2.b).
- e. Ensure both axle plates are in the same locations on the base frames.

Figure 27



⚠ DANGER ⚠

DANGER: Adjusting the axle plate too far forward can result in a chair that may tip over backward resulting in a fall or loss of control that could cause severe injury or death.

⚠ WARNING ⚠

WARNING: Increasing the seat to back angle will change the center of gravity of the wheelchair. Make sure your axle position is adjusted properly in order to maintain constant stability of the wheelchair. Reference instruction for axle plate position at top of page and Fig. 27.

V. SET UP AND USE OF YOUR WHEELCHAIR

O. Axle Plate (Continued)

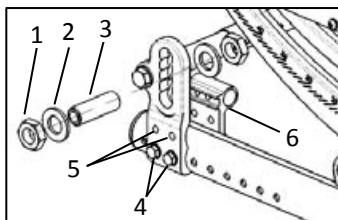
2. Adjusting Axle Sleeve Height

- a. Remove rear wheels
- b. Using two 30mm wrenches, remove axle sleeve nut (Fig. 28: 1) and washer (Fig. 28: 2) from outside of axle plate.
- c. Remove axle sleeve (Fig. 28: 3) from axle plate and reposition in desired height location.
- d. Reinstall and tighten axle sleeve nut.
- e. Additionally, the axle plate screws may be removed (see subsection 1), and axle plate may be moved up or down by 1" by using alternate set of holes in axle plate. Using the lower set of holes (Fig. 28: 4) yields a seat height 1" lower than using the upper set of holes (Fig. 28: 5) for a given axle sleeve location. If moving axle plate up or down, ensure that the anti-tip receiver (Fig. 28: 6) moves up or down (respectively) with the axle plate. All four holes of the anti-tip receiver should line up with all four holes in the axle plate. See section R for further instructions on the anti-tip receiver orientation.
- f. Ensure that both Axle sleeves and axle plates are set up identically.

3. Adjusting Axle Spacing

- a. Loosen axle sleeve nut (Fig. 28: 1) using two 30mm wrenches.
- b. Thread axle sleeve (Fig. 28: 3) in and out of nuts to achieve desired wheel spacing.
- c. Retighten axle sleeve nuts.
- d. Ensure both sides of the chair have the same axle spacing.
- e. Changing the axle spacing may require spacing the wheel locks in or out (see section P)

Figure 28



V. SET UP AND USE OF YOUR WHEELCHAIR

P. Rear Wheels

1. Installing Wheels

- a. Push in the quick release button on the axle to allow the locking balls to retract. Make note of the difference between the extended and depressed position of the axle release button and its affect on the locking balls on the other end of the axle (Fig. 29)
- b. Insert the axle into the bearing housing on the wheel if it's separate.
- c. Push on quick release button again and slide axle into axle sleeve. (Fig. 29)
- d. Release the button to lock axle in sleeve. If release button does not fully extend and the locking balls do not move in to the locked position after releasing the button, the axle length needs to be adjusted. (Fig. 30)

Figure 29

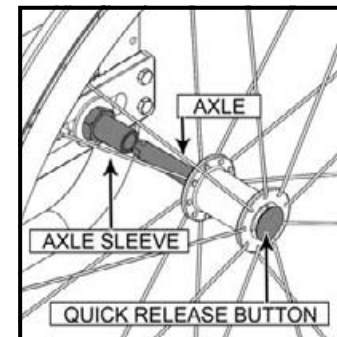
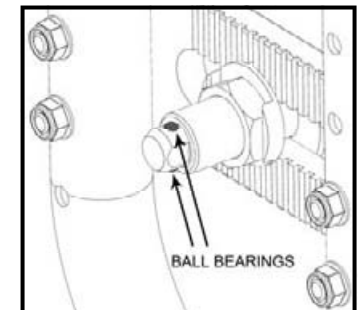


Figure 30



V. SET UP AND USE OF YOUR WHEELCHAIR

P. Rear Wheels (Continued)

2. Adjusting Axles

- a. To adjust the axle you will need a 19 mm wrench to turn the outside axle nuts.
- b. You will also need a 11 mm wrench to hold the ball bearings on the opposite end of the axle, and prevent the axle from turning.
- c. When the wheel is installed, if the axle does not lock, loosen the axle nut until it locks and axle can move in and out slightly when locked. If the axle locks, but moves in and out slightly, proceed to next step.
- d. Turn the axle nut counterclockwise until it is tight then turn the axle nut clockwise 1/3 turn at a time. Check to see if it is properly adjusted after each 1/3 turn. When properly adjusted there should be no perceptible movement of the axle in and out in the sleeve, but the axle release button should be easy to push in.

3. Removing Wheels

- a. Hold the wheel close to the hub and push in the button on the outside end of the axle.
- b. While still holding the button pull the wheel and axle out of the axle sleeve.



DANGER: Make sure the push button is completely extended and the locking balls on the inside of the chair are fully engaged before operating the wheelchair. Failure to do so may result in the wheel falling off and may cause serious injury or death.

Review and understand Section O. Rear Wheel Installation and Removal before attempting an axle adjustment!

V. SET UP AND USE OF YOUR WHEELCHAIR

Q. Wheel Locks

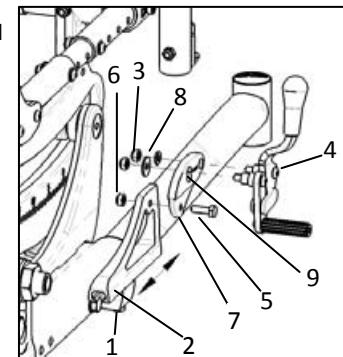
1. Adjusting Wheel Locks

- a. Use a 10mm wrench or socket to loosen (do not remove) hex bolt (Figure 31: 1) beneath mounting block of base frame.
- b. Slide mount plate (Figure 31: 2) forward or rearward to achieve proper locking.
- c. Re-tighten hex bolt.

2. Reversing Wheel Lock Mount

- a. Using a 10mm wrench, remove the nuts (Figure 31: 3) from the wheel lock studs and remove wheel lock mechanism (Figure 27: 4)
- b. Remove hex bolt (Figure 31: 5) and nut (Figure 31: 6) using 10mm wrenches.
- c. Flip wheel lock mount (Figure 31: 7) forward or reverse
- d. Reinstall and tighten hex bolt (Figure 31: 5) and nut (Figure 31: 6)
- e. Reinstall wheel lock mechanism (Figure 31: 4) and fasten with nuts (Figure 31: 3). Note that large diameter washer (Figure 31: 8) goes beneath the nut that covers the scalloped hole (Figure 31: 9). Always install the wheel lock using the scalloped hole that allows the front stud of the wheel lock mechanism to lie below the rear stud, i.e., if the single hole is toward the front of the chair, install wheel lock such that the rearmost stud of the wheel lock mechanism is in the upper hole of the scalloped hole. If the single hole is toward the rear of the chair, place the front stud of the mechanism in the lower hole of the scalloped hole.
- f. Note that if the chair is equipped with Attendant Foot Lock and you are changing the wheel size, you will need to obtain a new linkage rod. Please contact Ki Mobility Customer Service to order.

Figure 31



V. SET UP AND USE OF YOUR WHEELCHAIR

Q. Wheel Locks (Continued)

3. Reversing Wheel Lock Mounting Plate

- a. Remove Wheel Lock Mounts according to steps 2.a and 2.b on previous page.
- b. Using a 10mm wrench, loosen Hex bolt (Figure 32: 1) and slide wheel lock mounting plate (Figure 32: 2) off of mounting block on base frame. Repeat for opposite side of chair.
- c. Note lateral offset of wheel lock mounting plates. Choose mounting configuration of wheel lock mounting plates that best suits the axle spacing of the chair. Standard or wide mounting may be achieved by switching the wheel lock mounting plates to the opposite side of the chair. For foot lock and/or dual post armrests, wide configuration should always be used.

Figure 32

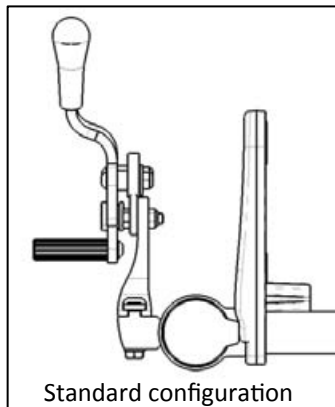
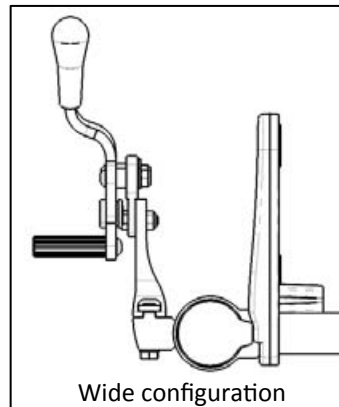


Figure 33



- d. Once width configuration is chosen, slide wheel lock mounting plates back onto mount blocks, indexing T-nuts back into slots of mounting plates. Do not tighten hex bolt yet.
- e. Reattach Wheel Lock Mounts in proper configuration according to steps 2.c and 2.e on previous page.
- f. Adjust wheel lock mounting plate position and tighten hex nut when proper mount plate location is achieved.

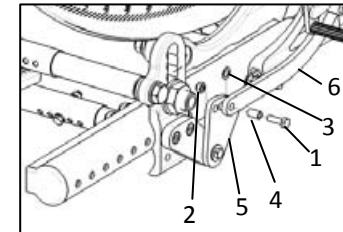
V. SET UP AND USE OF YOUR WHEELCHAIR

Q. Wheel Locks (Continued)

4. Adjusting Foot Pedal Angle (Attendant Foot Lock only)

- a. Using 10mm wrenches, remove hex bolt (Figure 34: 1), nut (Figure 34: 2), plastic washer (Figure 34: 3) and bushing (Figure 34: 4) from wheel lock index plate (Figure 34: 5) and linkage rod (Figure 34: 6) on both sides of chair.
- b. Choose new hole according to preference to mount hardware.
- c. Re-tighten hardware, ensuring plastic washer (Figure 34: 3) is installed between index plate (Figure 34: 5) and linkage rod (Figure 34: 6). Note that the head of the hex bolt is to be installed toward the outside of the chair.

Figure 34



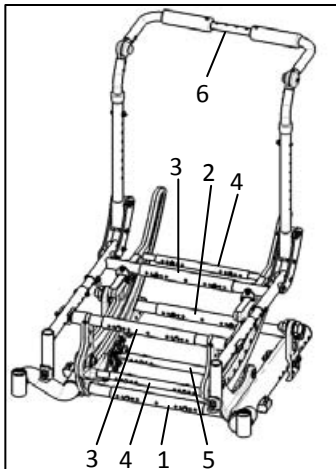
V. SET UP AND USE OF YOUR WHEELCHAIR

R. Frame Width

1. Frame Width Adjustment

- a. Remove backrest seating.
- b. If equipped with a seat pan, remove seat pan and adjust to new width (See Section S).
- c. Remove screws in growth tubes of all cross struts – Base Frame (Figure 35: 1), Axle Plate (Figure 35: 2), Seat Frame (Figure 35: 3), Rotary Frame (Figure 35: 4), Tilt Lock Mechanism (Figure 35: 5), and Angle Adjustable Push Handle/Removable Stroller handle (Figure 35: 6) (if equipped). Two 10mm wrenches are needed for the screws on items 1, 2 and 3, two 8mm wrenches for the screws on items 4 and 5, and a 4mm Allen wrench for screws in item 6.
- d. Set chair to desired width, aligning holes in growth tubes/struts.
- e. Reinstall but DO NOT TIGHTEN all screws/nuts/washers into growth tube holes.
- f. Once all screws are reinstalled, place chair on a flat surface with wheels installed. Ensure all growth tubes are centered on the chair (push handle/removable stroller handle will be offset by ½" on odd chair widths).
- g. Re-tighten all strut fasteners. Ensure chair tilts easily.
- h. If binding occurs when tilting, loosen axle plate/base frame and rotary frame, tilt rotary frame 2-4 times to allow chair to align itself, and re-tighten fasteners, ending with rotary frame struts.

Figure 35



V. SET UP AND USE OF YOUR WHEELCHAIR

S. Anti-Tips

1. Flipping Anti-Tips Up

- a. Pull anti-tip (Figure 36: 1) rearward to disengage rotary lock studs (Figure 36: 2).
- b. Rotate anti-tip upwards.
- c. Reset anti tip back onto rotary lock studs, ensuring studs are nested into alignment slots.

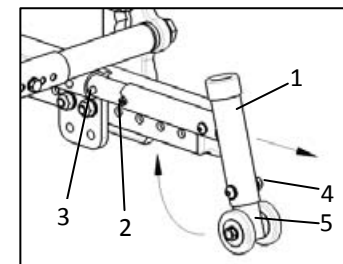
2. Removing Anti-Tips

- a. Depress buttons (Figure 36: 3) on Anti-tips
- b. Pull Anti-tip straight back to remove anti-tip from receiver
- c. To reinstall, press buttons in and push anti-tips back into receivers, aligning holes in receiver with front detent button.

3. Setting for Seat Height

- a. Using a 4mm Allen wrench and a 10mm wrench, remove cross bolt (Figure 36: 4) from Height Adjuster (Figure 36: 5)
- b. Slide height adjuster up or down as necessary, aligning holes in adjuster with hole in anti-tip. The distance between the bottom of the anti-tip wheel and the floor should be between 1.5" and 2".
- c. Reinstall cross bolt through height adjuster and tighten.
- d. Repeat for opposite side of chair. Ensure anti-tips on both sides of chair are set up identically.

Figure 36



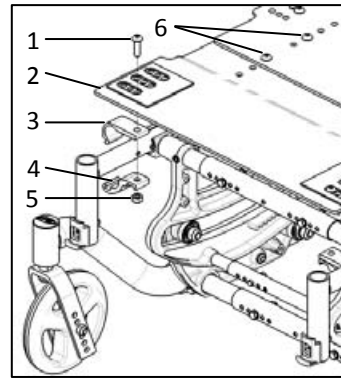
V. SET UP AND USE OF YOUR WHEELCHAIR

T. Seat Pan

1. Removal

- a. Using a 5mm Allen wrench, remove Button Head Screws (Figure 37: 1) from corners of Seat Pan.
- b. Remove seat pan assembly (Figure 37: 2), seat pan brackets (Figure 37: 3), seat pan clamps (Figure 37: 4) and nuts (Figure 37: 5) from seat tubes.

Figure 37



2. Installation

- a. Set Seat Pan onto seat frame
- b. Slide one seat pan bracket (Figure 37: 3) onto seat tube and link seat pan clamp (Figure 37: 4) onto bracket, wrapping around seat tube. Hold Nut (Figure 37: 5) in slot of clamp as shown and thread button head screw (Figure 37: 1) through seat pan into clamp. Do not tighten. Repeat for all four corners of seat pan.
- c. Adjust seat pan in to be square to the chair and in the desired position, with the front edge of the seat pan approximately 3/8" behind vertical footrest hanger tube.
- d. Tighten all four button head screws using a 5mm Allen wrench when proper position is obtained.

3. Length Adjustment

- a. Using a 5mm Allen wrench and a 13mm wrench, remove all four button head screws (Figure 37: 6) from center area of seat pan.
- b. With 5mm Allen wrench, loosen all four button head screws (Figure 37: 1) from seat pan clamps (Figure 37: 3).
- c. Slide seat pans forward or rearward, aligning proper holes to achieve desired seat pan length.
- d. Reinstall and tighten button head screws (Figure 37: 6) with nuts.
- e. Reposition seat pan on seat frame as necessary and tighten button head screws (Figure 37: 1) in clamps.

V. SET UP AND USE OF YOUR WHEELCHAIR

T. Seat Pan (Continued)

4. **Width Adjustment** *(Note: seat pan width may be adjusted up to 2" wider for even widths or 1" wider for odd widths. For greater adjustment than this, new seat pans must be obtained. Contact Ki Mobility Customer Service.)*
 - a. Remove seat pan (see subsection 1 on previous page) and adjust width of chair to desired width (see section Q).
 - b. Align seat pan clamp holes with desired set of holes in seat pan to achieve larger frame width.
 - c. Reinstall and tighten button head screws and nuts through seat pan clamps (see subsection 2 on previous page).

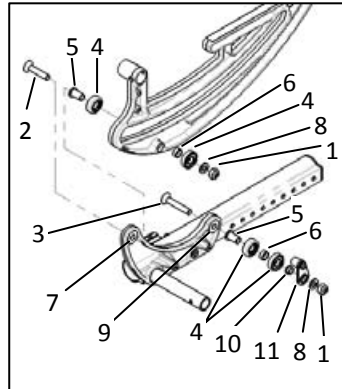
V. SET UP AND USE OF YOUR WHEELCHAIR

U. Bearings

1. Bearing Replacement *(it is recommended this procedure be performed by a qualified technician)*

- Using 17mm wrench and 6mm Allen wrench, loosen and remove all four bearing locknuts (Figure 38: 1).
- Remove flat head screws (Figure 38: 2 and 3) from bearing subassemblies.
- Remove all bearing assembly components from chair.
- Using new bearing/liners (Figure 38: 4), slide bearing shaft (Figure 38: 5) thru one bearing/liner subassembly as shown.
- Place shaft with bearing/liner through slot in rotary frame from the outside and slide spacer (Figure 38: 6) and second bearing/liner over shaft. "Noses" of bearing liners should face each other.
- Align bearing shaft hole with hole in front bearing plate of base frame (Figure 38: 7) and slide 10mm x 50mm (Figure 38: 2) flat head screw through shaft.
- Install washers (Figure 38: 8) and locknut (Figure 38: 1) back onto flat head screw, finger tight.
- Repeat steps d through g for opposite side of chair.
- Install bearing shaft through bores of two more bearings with spacer (Figure 38: 6) in between, as in step e above.
- Slide onto 10mm x 60mm (Figure 38: 3) flat head screw through rear bearing plate holes (Figure 38: 9) as shown. Repeat on opposite side of chair.
- Set rotary frame on both sets of bearings, placing ridge in bottom of rotary frame into groove between bearing liners. Install swivel bushing (Figure 38: 10) with flange toward bearing, and slide swivel plate (Figure 38: 11) over swivel bushing with retainer bearing nested in inside groove of rotary frame. Secure with washer (Figure 38: 8) and lock nut (Figure 38: 1). Repeat for opposite side of chair.

Figure 38



V. SET UP AND USE OF YOUR WHEELCHAIR

V. Vent and Battery Tray

1. Instructions for Use:

Consult your authorized Ki Mobility supplier to ensure the vent and battery tray are appropriate for the devices being secured to them. Adjustments to the vent and battery tray should only be done by an authorized Ki Mobility supplier.

2. Instructions for Transit Use:

When using this wheelchair as a seat in a motor vehicle you must remove any items attached to the vent and battery tray and properly secure them separately. Only authorized dealers should install, remove or adjust the vent and battery tray components.



DANGER: Failure to remove items attached to the vent and battery tray and properly secure them separately in the motor vehicle can result in these items becoming dangerous projectiles in the event of an accident. This can cause severe injury or death.

W. Oxygen Tank Holder

1. Instructions for Use:

This oxygen tank holder has been design to secure D cylinders to your wheelchair. Make sure that the bottle is well seated in the bottom of the holder and that the clamp is tightened to the point that the cylinder cannot be pulled out.

Oxygen tanks can be dangerous, make sure you follow all instructions for use from the tank's provider.



DANGER: Failure to follow these instructions and the instructions for use of the cylinder from the cylinders provider can result in severe injury or death.

VI. MAINTENANCE

A. Inspecting Your Wheelchair

Regular and routine maintenance will extend the life of your wheelchair while improving its performance. Wheelchair repairs and the replacement of parts should be done by a qualified technician of an authorized Ki Mobility Supplier.

1. General Inspections

- a. Clean your chair at least once per month. You may need to clean your chair more frequently if you operate it in dirty environments, such as a work site.
- b. Check to be sure that all fasteners are tight. Unless otherwise noted, fasteners should be tightened to 40 in./lbs.
- c. Check Tires and Casters:
 - i. Check the tire for tread wear. Replace the tires if the tread is worn off or has flat spots or visible cracks.
 - ii. If you have inflatable tires with a valve stem, check the pressure and set to the pressure listed on the tire sidewall.

DANGER

DANGER: Replace worn tires. The wheel locks will not grip properly if you fail to maintain the air pressure shown on tire sidewall. This could result in a fall or loss of control and cause severe injury or death.

- d. Check spoke wheels for loose spokes.
- e. Check your wheel locks. As tires wear the wheel locks should be adjusted. **See section P. Wheel Locks**

VI. MAINTENANCE

B. Routine Maintenance

1. Weekly:

- a. Check wheel locks to be sure they are adjusted correctly.
- b. Check axle sleeves to ensure the axle sleeve nuts are tight.
- c. Check for broken, bent or loose spokes.
- d. Check that casters spin freely.
- e. Inspect tires and casters for wear spots.
- f. Check pneumatic tires for proper inflation.
- g. Wipe rotary frame glide surfaces with a damp cloth
- h. Adjust tilt cable to ensure proper tilt lock function (see section V.K.1.b or V.K.2.b)
- i. Inspect roller bearings to ensure proper function and wear.

2. Monthly:

- a. Inspect rear wheel axles and tighten if necessary.
- b. Inspect caster housing bearings for hair build up and remove if necessary.
- c. Inspect wheel locks to be sure assembly is tight. Make sure wheel locks properly engage the tires.
- d. Check that all fasteners are tight and secure.
- e. Inspect hand grips to ensure they are not loose.
- f. Inspect frame for any deformities, defects, cracks, dimples or bends. These could be signs of fatigue in the frame which could result in a failure of the chair. Discontinue use of the wheelchair immediately and contact your authorized Ki Mobility dealer.

3. Annually:

- a. Have wheelchair checked and adjusted by a qualified technician.

WARNING

WARNING: After adjustments and before using this wheelchair, make sure that all of the fasteners are tight and secure or injury or damage may occur.

CAUTION

CAUTION: Do not over-tighten fasteners as this could damage the frame tubing.

DANGER

DANGER: Failure to read and comply with these instructions may result in a fall or loss of control causing severe injury or death to the user or others.

VI. MAINTENANCE

C. Cleaning

1. Axles and Wheels

- a. Clean around the axles and wheels WEEKLY with a damp rag.
- b. Hair and lint will lodge in the caster housing. Disassemble the caster housing every six months to remove entangled hair.

NOTE: Do not use WD-40 or any other penetrating oil on this wheelchair. This will destroy the sealed bearings.

NOTE: Do not use any chemical cleaning agents on casters or tires.

WARNING

WARNING: Failure to read and comply with these instructions may result in damage to your wheelchair, a fall or loss of control causing severe injury to the user or others.

D. Storage

1. When not in use, keep your chair in a clean, dry area. Failure to do so may result in your chair rusting and/or corroding.
2. If your chair has been in storage for more than a few weeks you should make sure it is working properly. You should inspect and service, if necessary, all items in section VI. A. Inspecting your Wheelchair.
3. If your chair has been in storage for more than two months, it should be serviced and inspected by your authorized supplier before you use it.

WARNING

WARNING: Failure to read and comply with these instructions may result in damage to your wheelchair, a fall or loss of control causing severe injury to the user or others.

VII. TROUBLESHOOTING

A. Symptoms and Solutions

For optimum performance, your Focus CR wheelchair will need to be adjusted occasionally. On the next page is a list of potential symptoms that may occur when adjusting your chair, as well as one or more suggested solutions for each symptom. For best results, when troubleshooting, try one solution at a time before proceeding to a second solution. If symptoms are not relieved, it is recommended to take the chair to an authorized service center for repair.

Please see chart on next page.

Symptoms							Solutions
Chair does not track straight	Looseness in Chair	Sluggishness in Turning	One caster does not contact the floor	Caster Flutter	Squeaking or rattling	Will not tilt/Rattling when tilting	
✓			✓	✓			Add spacer washer between cater stem and bottom caster housing bearing on left or right side of chair.
✓		✓					Ensure all tire pressures are correct and equal on both sides of chair.
✓	✓			✓			Ensure all fasteners are tightened.
					✓		Use Teflon® based lubricant (such as Tri-Flow®) between modular frame components.
						✓	Ensure cable/foot tilt mechanism is adjusted and cogs disengage teeth (see section V.K.1.b or V.K.2.b).
						✓	Inspect roller bearings for wear. Replace if necessary (see section V.T).
						✓	Inspect rotary frame bearing surfaces for damage. Clean as necessary.
							Optimize CG setting (section V.L.2).
						✓	
						✓	

VIII. WARRANTY

A. Warranty Information

Ki Mobility warrants the frame, hangers, tilt assembly (including bearings) and quick-release axles of this wheelchair against defects in materials and workmanship for the life of the original purchaser. All other Ki Mobility-made parts and components of this wheelchair are warranted against defects in materials and workmanship for one year from the date of first consumer purchase.

The expected life of the frame is five years.

1. Limitations to the Warranty:

- a. We do not warrant:
 - i. Wear items: Upholstery, tires, armrest pads, tubes, armrests and push-handle grips.
 - ii. Damage resulting from neglect, misuse or from improper installation or repair.
 - iii. Damage from exceeding weight limit.
- b. This warranty is VOID if the original chair serial number tag is removed or altered.
- c. This warranty is VOID if the original chair has been modified from its original condition and it is determined that the modification resulted in failure.
- d. This warranty applies in the USA only. Check with your supplier to find out if international warranties apply.

2. Ki Mobility's Responsibility:

- a. Ki Mobility's only liability is to replace or repair, at our discretion, the covered parts. There are no other remedies, expressed or implied.

3. Your Responsibility:

- a. Notify Ki Mobility, via an authorized supplier, prior to the end of the warranty period and get a return authorization (RA) for the return or repair of the covered parts.
- b. Have the supplier send the authorized return, freight prepaid, to:

Ki Mobility
- c. Pay any charges for labor to repair or install parts.

Page not in use.

65

Page not in use.

66

