

Company:

Account Number: Date:

Quote: PO Number:

ATP:

Marked For:

Associated Quote/Order#:

Ship To:

Address:

City: State:

Zip: Phone:

Email/Fax:

Effective: 5/22/2023

Rogue2 K0005, E1235 **\$2873**

Rogue Standard Frame. 275 lb weight capacity.

Frame

Seat Width

See reference A on page 7

- 12" N/C
- 13" N/C
- 14" N/C
- 15" N/C
- 16" N/C
- 17" N/C
- 18" N/C
- 19" N/C
- 20" (E2201) \$550

Seat Depth

See reference B on page 7

- 14" N/C
- 15" N/C
- 16" N/C
- 17" N/C
- 18" N/C
- 19" N/C
- 20" (E2203) \$550

Transit Option

- Transit System \$320
Cannot be retrofitted. Requires Expanded Width Caster Position.
- Omit N/C

Adjustable Depth

Adds the capability to grow seat in depth

- No Rear Adjustment N/C
- 1/2" N/C
- 1" \$85
- 2" \$165

Sling Position

In Performance Position (0°), sling is at front of frame. The 1° or 2° sling position extends the frame in front of the sling by that amount. See reference C on page 7.

- 0° (Performance) N/C
- 1" N/C
- 2° (Classic) N/C

Seat Option

- Standard Seat Sling N/C
- Aluminum Solid Seat Pan (E2231) \$265

Front Frame Bend

Angle between front seat tube and ground. See reference D on page 7.

- 90° \$150
- 85° N/C
- 80° N/C
- 75° N/C
- 70° N/C

Backrest

Back Post / Height Range / Back Height

| Back Post | Price | Height Range | Back Height | | | | |
|---------------------------|-------|---|---|---|---|------------------------------|------------------------------|
| | | | 11" ² | 12" | 13" | 14" | 17" |
| Height Adjustable | N/C | <input type="checkbox"/> Height Adjustable Short Back Post | <input type="checkbox"/> 11" ² | <input type="checkbox"/> 12" | <input type="checkbox"/> 13" | <input type="checkbox"/> 14" | |
| | | <input type="checkbox"/> Height Adjustable Medium Back Post | <input type="checkbox"/> 13" | <input type="checkbox"/> 14" | <input type="checkbox"/> 15" | <input type="checkbox"/> 16" | <input type="checkbox"/> 17" |
| | | <input type="checkbox"/> Height Adjustable Tall Back Post | <input type="checkbox"/> 17" | <input type="checkbox"/> 18" | <input type="checkbox"/> 19" | <input type="checkbox"/> 20" | |
| Fixed Height ¹ | N/C | <input type="checkbox"/> Fixed Height Straight Back Post | <input type="checkbox"/> 9" ² | <input type="checkbox"/> 10" ² | <input type="checkbox"/> 11" ² | <input type="checkbox"/> 12" | <input type="checkbox"/> 13" |
| | | | <input type="checkbox"/> 14" | <input type="checkbox"/> 15" | <input type="checkbox"/> 16" | <input type="checkbox"/> 17" | <input type="checkbox"/> 18" |

¹ Not available with back upholstery

² Not available with Fold Down Push Handle

HCPCS codes provided are based on code verification by the PDAC or our interpretation of the code definitions.

Proper use of HCPCS codes does not ensure coverage or payment. For coverage information, verify the appropriate payer's coverage policy.

DCN1017.1 Pricing and specifications subject to change without notice.

Push Handles

- Omit Push Handle N/C
- Standard Push Handle \$95
- Low Profile Push Handle \$150
2" shorter than standard push handles
- Bolt-On Push Handle \$175
Handles will be 1" - 2" above back height
- Fold Down Push Handle \$110

Seat Back Angle

Standard is 90° (perpendicular to floor). Minus (-°) closes back angle. Plus (+°) opens back angle.

- Standard +3° +6° +9° -3° -6° -9° -12° _____ N/C

Back Upholstery Options

Available only with Height Adjustable Back Posts. If selecting both upholstery and Axiom Back, the upholstery will be installed.

- Padded Velcro Adjustable with Standard Cover _____ N/C
 Padded Velcro Adjustable with Air Mesh Breathable Cover _____ \$75
 Tension Adjustable with Standard Cover (E2611) _____ \$350
 Tension Adjustable with Air Mesh Breathable Cover (E2611) _____ \$390
 Omit _____ (\$10)

Stroller Handle

Stroller Handles are removable and height adjustable

- Single Stroller Handle _____ \$165
 Double Stroller Handle _____ \$330
 Not available with Push Handles

Rigidizer Bar

- Adjustable Height Rigidizer Bar _____ \$75
 Non-Adjustable Height Rigidizer Bar _____ N/C
 Not Available with Fixed Height Back Post

US Military Patches

- Army Navy Marines Air Force
 Coast Guard US Purple Heart _____ \$90
 Combo Army/Purple Heart Combo Navy/Purple Heart
 Combo Marines/Purple Heart Combo Air Force/Purple Heart
 Combo Coast Guard/Purple Heart _____ \$145

Front Seat Height and Casters

Caster Size / Footrest Taper / Front Seat Height

Select Front Seat Height and Footrest Taper in row corresponding to Caster Size. 6" casters not available with 85° and 90° Front Frame Bend.

Footrest Taper indicates bend of front frame creating footrest width. Taper is measured from outside of seat frame to outside of front tube. 2" Taper not available with 75° Front Frame Bend. Taper is not available with 70° Front Frame Bend. See reference E on page 7.

Front Seat Height is measured from floor to top of seat tube at front of seat sling. Adjustable up or down by 1/2". See reference F on page 7.

| Footrest Taper | Price | Caster Size | Front Seat Height | | | | | | | | | | | | | | | | | | |
|---------------------------------------|-------|-------------|--------------------------------|--------------------------------|--------------------------------|--------------------------------|--------------------------------|--------------------------------|--------------------------------|--------------------------------|--------------------------------|--------------------------------|--------------------------------|--------------------------------|--------------------------------|--------------------------------|--------------------------------|-----|-----|-----|-------|
| | | | 3" | 4" | 5" | 6" | 7" | 8" | 9" | 10" | 11" | 12" | 13" | 14" | 15" | 16" | 17" | 18" | 19" | 20" | 20.5" |
| <input type="checkbox"/> Straight | N/C | 3" | <input type="checkbox"/> 13.5" | <input type="checkbox"/> 14" | <input type="checkbox"/> 14.5" | <input type="checkbox"/> 15" | <input type="checkbox"/> 15.5" | <input type="checkbox"/> 16" | <input type="checkbox"/> 16.5" | <input type="checkbox"/> 17" | <input type="checkbox"/> 17.5" | <input type="checkbox"/> 18" | <input type="checkbox"/> 18.5" | <input type="checkbox"/> 19" | <input type="checkbox"/> 19.5" | <input type="checkbox"/> 20" | <input type="checkbox"/> 20.5" | | | | |
| | | 4" | <input type="checkbox"/> 14" | <input type="checkbox"/> 14.5" | <input type="checkbox"/> 15" | <input type="checkbox"/> 15.5" | <input type="checkbox"/> 16" | <input type="checkbox"/> 16.5" | <input type="checkbox"/> 17" | <input type="checkbox"/> 17.5" | <input type="checkbox"/> 18" | <input type="checkbox"/> 18.5" | <input type="checkbox"/> 19" | <input type="checkbox"/> 19.5" | <input type="checkbox"/> 20" | <input type="checkbox"/> 20.5" | | | | | |
| | | 5" | <input type="checkbox"/> 14.5" | <input type="checkbox"/> 15" | <input type="checkbox"/> 15.5" | <input type="checkbox"/> 16" | <input type="checkbox"/> 16.5" | <input type="checkbox"/> 17" | <input type="checkbox"/> 17.5" | <input type="checkbox"/> 18" | <input type="checkbox"/> 18.5" | <input type="checkbox"/> 19" | <input type="checkbox"/> 19.5" | <input type="checkbox"/> 20" | <input type="checkbox"/> 20.5" | | | | | | |
| | | 6" | <input type="checkbox"/> 15" | <input type="checkbox"/> 15.5" | <input type="checkbox"/> 16" | <input type="checkbox"/> 16.5" | <input type="checkbox"/> 17" | <input type="checkbox"/> 17.5" | <input type="checkbox"/> 18" | <input type="checkbox"/> 18.5" | <input type="checkbox"/> 19" | <input type="checkbox"/> 19.5" | <input type="checkbox"/> 20" | <input type="checkbox"/> 20.5" | | | | | | | |
| <input type="checkbox"/> 1" | N/C | 3" | <input type="checkbox"/> 16.5" | <input type="checkbox"/> 17" | <input type="checkbox"/> 17.5" | <input type="checkbox"/> 18" | <input type="checkbox"/> 18.5" | <input type="checkbox"/> 19" | <input type="checkbox"/> 19.5" | <input type="checkbox"/> 20" | <input type="checkbox"/> 20.5" | | | | | | | | | | |
| | | 4" | <input type="checkbox"/> 17" | <input type="checkbox"/> 17.5" | <input type="checkbox"/> 18" | <input type="checkbox"/> 18.5" | <input type="checkbox"/> 19" | <input type="checkbox"/> 19.5" | <input type="checkbox"/> 20" | <input type="checkbox"/> 20.5" | | | | | | | | | | | |
| | | 5" | <input type="checkbox"/> 17.5" | <input type="checkbox"/> 18" | <input type="checkbox"/> 18.5" | <input type="checkbox"/> 19" | <input type="checkbox"/> 19.5" | <input type="checkbox"/> 20" | <input type="checkbox"/> 20.5" | | | | | | | | | | | | |
| | | 6" | <input type="checkbox"/> 18" | <input type="checkbox"/> 18.5" | <input type="checkbox"/> 19" | <input type="checkbox"/> 19.5" | <input type="checkbox"/> 20" | <input type="checkbox"/> 20.5" | | | | | | | | | | | | | |
| <input type="checkbox"/> 2" | N/C | 3" | <input type="checkbox"/> 16.5" | <input type="checkbox"/> 17" | <input type="checkbox"/> 17.5" | <input type="checkbox"/> 18" | <input type="checkbox"/> 18.5" | <input type="checkbox"/> 19" | <input type="checkbox"/> 19.5" | <input type="checkbox"/> 20" | <input type="checkbox"/> 20.5" | | | | | | | | | | |
| | | 4" | <input type="checkbox"/> 17" | <input type="checkbox"/> 17.5" | <input type="checkbox"/> 18" | <input type="checkbox"/> 18.5" | <input type="checkbox"/> 19" | <input type="checkbox"/> 19.5" | <input type="checkbox"/> 20" | <input type="checkbox"/> 20.5" | | | | | | | | | | | |
| | | 5" | <input type="checkbox"/> 17.5" | <input type="checkbox"/> 18" | <input type="checkbox"/> 18.5" | <input type="checkbox"/> 19" | <input type="checkbox"/> 19.5" | <input type="checkbox"/> 20" | <input type="checkbox"/> 20.5" | | | | | | | | | | | | |
| | | 6" | <input type="checkbox"/> 18" | <input type="checkbox"/> 18.5" | <input type="checkbox"/> 19" | <input type="checkbox"/> 19.5" | <input type="checkbox"/> 20" | <input type="checkbox"/> 20.5" | | | | | | | | | | | | | |
| <input type="checkbox"/> 3.5° V-Front | \$100 | 3" | <input type="checkbox"/> 13.5" | <input type="checkbox"/> 14" | <input type="checkbox"/> 14.5" | <input type="checkbox"/> 15" | <input type="checkbox"/> 15.5" | <input type="checkbox"/> 16" | <input type="checkbox"/> 16.5" | <input type="checkbox"/> 17" | <input type="checkbox"/> 17.5" | <input type="checkbox"/> 18" | <input type="checkbox"/> 18.5" | <input type="checkbox"/> 19" | <input type="checkbox"/> 19.5" | <input type="checkbox"/> 20" | <input type="checkbox"/> 20.5" | | | | |
| | | 4" | <input type="checkbox"/> 14" | <input type="checkbox"/> 14.5" | <input type="checkbox"/> 15" | <input type="checkbox"/> 15.5" | <input type="checkbox"/> 16" | <input type="checkbox"/> 16.5" | <input type="checkbox"/> 17" | <input type="checkbox"/> 17.5" | <input type="checkbox"/> 18" | <input type="checkbox"/> 18.5" | <input type="checkbox"/> 19" | <input type="checkbox"/> 19.5" | <input type="checkbox"/> 20" | <input type="checkbox"/> 20.5" | | | | | |
| | | 5" | <input type="checkbox"/> 14.5" | <input type="checkbox"/> 15" | <input type="checkbox"/> 15.5" | <input type="checkbox"/> 16" | <input type="checkbox"/> 16.5" | <input type="checkbox"/> 17" | <input type="checkbox"/> 17.5" | <input type="checkbox"/> 18" | <input type="checkbox"/> 18.5" | <input type="checkbox"/> 19" | <input type="checkbox"/> 19.5" | <input type="checkbox"/> 20" | <input type="checkbox"/> 20.5" | | | | | | |
| | | 6" | <input type="checkbox"/> 15" | <input type="checkbox"/> 15.5" | <input type="checkbox"/> 16" | <input type="checkbox"/> 16.5" | <input type="checkbox"/> 17" | <input type="checkbox"/> 17.5" | <input type="checkbox"/> 18" | <input type="checkbox"/> 18.5" | <input type="checkbox"/> 19" | <input type="checkbox"/> 19.5" | <input type="checkbox"/> 20" | <input type="checkbox"/> 20.5" | | | | | | | |
| <input type="checkbox"/> 7° V-Front | \$100 | 3" | <input type="checkbox"/> 13.5" | <input type="checkbox"/> 14" | <input type="checkbox"/> 14.5" | <input type="checkbox"/> 15" | <input type="checkbox"/> 15.5" | <input type="checkbox"/> 16" | <input type="checkbox"/> 16.5" | <input type="checkbox"/> 17" | <input type="checkbox"/> 17.5" | <input type="checkbox"/> 18" | <input type="checkbox"/> 18.5" | <input type="checkbox"/> 19" | <input type="checkbox"/> 19.5" | <input type="checkbox"/> 20" | <input type="checkbox"/> 20.5" | | | | |
| | | 4" | <input type="checkbox"/> 14" | <input type="checkbox"/> 14.5" | <input type="checkbox"/> 15" | <input type="checkbox"/> 15.5" | <input type="checkbox"/> 16" | <input type="checkbox"/> 16.5" | <input type="checkbox"/> 17" | <input type="checkbox"/> 17.5" | <input type="checkbox"/> 18" | <input type="checkbox"/> 18.5" | <input type="checkbox"/> 19" | <input type="checkbox"/> 19.5" | <input type="checkbox"/> 20" | <input type="checkbox"/> 20.5" | | | | | |
| | | 5" | <input type="checkbox"/> 14.5" | <input type="checkbox"/> 15" | <input type="checkbox"/> 15.5" | <input type="checkbox"/> 16" | <input type="checkbox"/> 16.5" | <input type="checkbox"/> 17" | <input type="checkbox"/> 17.5" | <input type="checkbox"/> 18" | <input type="checkbox"/> 18.5" | <input type="checkbox"/> 19" | <input type="checkbox"/> 19.5" | <input type="checkbox"/> 20" | <input type="checkbox"/> 20.5" | | | | | | |
| | | 6" | <input type="checkbox"/> 15" | <input type="checkbox"/> 15.5" | <input type="checkbox"/> 16" | <input type="checkbox"/> 16.5" | <input type="checkbox"/> 17" | <input type="checkbox"/> 17.5" | <input type="checkbox"/> 18" | <input type="checkbox"/> 18.5" | <input type="checkbox"/> 19" | <input type="checkbox"/> 19.5" | <input type="checkbox"/> 20" | <input type="checkbox"/> 20.5" | | | | | | | |

Casters

| | | Caster Size | | | | |
|-------------|--------------------------|-------------|--------------------------|--------------------------|--------------------------|--------------------------|
| | | Price | 3" | 4" | 5" | 6" |
| Caster Type | .75" Rollerblade | N/C | <input type="checkbox"/> | <input type="checkbox"/> | | |
| | .75" Lighted Rollerblade | \$70 | <input type="checkbox"/> | <input type="checkbox"/> | | |
| | 1" Poly | N/C | | <input type="checkbox"/> | <input type="checkbox"/> | <input type="checkbox"/> |
| | 1" Poly Aluminum | \$110 | | <input type="checkbox"/> | <input type="checkbox"/> | |
| | 1" Pneumatic | \$80 | | | | <input type="checkbox"/> |
| | 1.5" Poly | \$65 | | <input type="checkbox"/> | <input type="checkbox"/> | <input type="checkbox"/> |
| | 1.5" Soft Roll Aluminum | \$200 | <input type="checkbox"/> | <input type="checkbox"/> | <input type="checkbox"/> | <input type="checkbox"/> |

Caster Position

- See reference L on page 7
- Optimized N/C
Caster Placement minimizes the footprint of the chair
- Expanded Width N/C
Caster arm is positioned approximately .75" wider than Optimized position

Fork Options

- Standard Fork N/C
- Single Sided Fork \$185
- Frog Legs II Suspension System \$450
Lightweight shock absorbing fork. Not included in Colored Anodizing Package.

Footrest

Footplate

- Tubular "Open" Footplate N/C
Not available with V-Taper
- Tubular Footplate with ABS Cover \$30
Not available w/footrest widths greater than 15.5". See Reference G on page 7.
Not available with V-Taper.
- Aluminum Angle Adjustable (K0040) \$98
- Aluminum Angle Adjustable with Riser (K0040) \$165
- High Mount Aluminum Angle Adjustable (K0040) \$165
Not available with V-Taper
- Angle Adjustable Flip Under (K0040, K0037) \$225
Not available with footrest widths less than 9.5". Not available with V-Taper.
See Reference G on page 7.
- High Mount Angle Adjustable Flip Under (K0040, K0037) \$270
Not available w/footrest widths greater than 15.5". See Reference G on page 7.
Not available with V-Taper.
- Hybrid Angle Adjustable \$90
- Hybrid Angle Adjustable with Wings \$130

Footrest Protector

- Footrest Protector N/C
Not available with Angle Adjustable Flip Under, High Mount Angle Adjustable Flip Under or High Mount Aluminum Angle Adjustable Footplates

Seat to Footrest Length

Measured from front edge of seat sling to top, rear of footrest. Footrest length at least 2.5" shorter than Front Seat Height recommended. See reference H on page 7.

| | | | | | |
|------------------------------|--------------------------------|------------------------------|--------------------------------|------------------------------|--------------------------------|
| <input type="checkbox"/> 8" | <input type="checkbox"/> 8.5" | <input type="checkbox"/> 9" | <input type="checkbox"/> 9.5" | <input type="checkbox"/> 10" | <input type="checkbox"/> 10.5" |
| <input type="checkbox"/> 11" | <input type="checkbox"/> 11.5" | <input type="checkbox"/> 12" | <input type="checkbox"/> 12.5" | <input type="checkbox"/> 13" | <input type="checkbox"/> 13.5" |
| <input type="checkbox"/> 14" | <input type="checkbox"/> 14.5" | <input type="checkbox"/> 15" | <input type="checkbox"/> 15.5" | <input type="checkbox"/> 16" | <input type="checkbox"/> 16.5" |
| <input type="checkbox"/> 17" | <input type="checkbox"/> 17.5" | <input type="checkbox"/> 18" | <input type="checkbox"/> 18.5" | <input type="checkbox"/> 19" | <input type="checkbox"/> 19.5" |

Rear Seat Height and Wheels

Wheel Size / Rear Seat Height

Select Rear Seat Height in row corresponding to desired Wheel Size. For proper setup, selection is required when omitting rear wheels. Measured from floor to top of seat tube at front of back post. Rear Seat Height is custom to needs. See reference I on page 7.

| Wheel | Rear Seat Height | | | | | | | | | | | | | | | |
|-------|---|--------------------------------|--------------------------------|--------------------------------|--------------------------------|--------------------------------|--------------------------------|--------------------------------|--------------------------------|--------------------------------|--------------------------------|------------------------------|--------------------------------|------------------------------|--------------------------------|------------------------------|
| 20" | <input type="checkbox"/> 12.5" ¹ | <input type="checkbox"/> 13" | <input type="checkbox"/> 13.5" | <input type="checkbox"/> 14" | <input type="checkbox"/> 14.5" | <input type="checkbox"/> 15" | <input type="checkbox"/> 15.5" | <input type="checkbox"/> 16" | <input type="checkbox"/> 16.5" | <input type="checkbox"/> 17" | <input type="checkbox"/> 17.5" | <input type="checkbox"/> 18" | <input type="checkbox"/> 18.5" | <input type="checkbox"/> 19" | <input type="checkbox"/> 19.5" | <input type="checkbox"/> 20" |
| 22" | <input type="checkbox"/> 13.5" ¹ | <input type="checkbox"/> 14" | <input type="checkbox"/> 14.5" | <input type="checkbox"/> 15" | <input type="checkbox"/> 15.5" | <input type="checkbox"/> 16" | <input type="checkbox"/> 16.5" | <input type="checkbox"/> 17" | <input type="checkbox"/> 17.5" | <input type="checkbox"/> 18" | <input type="checkbox"/> 18.5" | <input type="checkbox"/> 19" | <input type="checkbox"/> 19.5" | <input type="checkbox"/> 20" | | |
| 24" | <input type="checkbox"/> 14.5" ¹ | <input type="checkbox"/> 15" | <input type="checkbox"/> 15.5" | <input type="checkbox"/> 16" | <input type="checkbox"/> 16.5" | <input type="checkbox"/> 17" | <input type="checkbox"/> 17.5" | <input type="checkbox"/> 18" | <input type="checkbox"/> 18.5" | <input type="checkbox"/> 19" | <input type="checkbox"/> 19.5" | <input type="checkbox"/> 20" | | | | |
| 25" | <input type="checkbox"/> 15" ¹ | <input type="checkbox"/> 15.5" | <input type="checkbox"/> 16" | <input type="checkbox"/> 16.5" | <input type="checkbox"/> 17" | <input type="checkbox"/> 17.5" | <input type="checkbox"/> 18" | <input type="checkbox"/> 18.5" | <input type="checkbox"/> 19" | <input type="checkbox"/> 19.5" | <input type="checkbox"/> 20" | | | | | |
| 26" | <input type="checkbox"/> 15.5" ¹ | <input type="checkbox"/> 16" | <input type="checkbox"/> 16.5" | <input type="checkbox"/> 17" | <input type="checkbox"/> 17.5" | <input type="checkbox"/> 18" | <input type="checkbox"/> 18.5" | <input type="checkbox"/> 19" | <input type="checkbox"/> 19.5" | <input type="checkbox"/> 20" | | | | | | |

¹ Available only with Low Profile tires

One Arm Drive

- One Arm Drive - Quick Release (E0958) \$1495
Available only with 20", 22" and 24" spoke wheels and quick release axles. Spoke wheel style provided is exclusive to OAD. Standard handrim will be Aluminum Anodized. Limitations exist based on rear wheel spacing, camber and armrest selections.
- Left Side Drive N/C
- Right Side Drive N/C
- Aluminum Drive Handrim N/C
- Poly Coated Drive Handrim \$200

Wheels

No selection needed with One Arm Drive

| | | Rear Wheel Size | | | | | |
|-----------------|--------------------------|-----------------|--------------------------|--------------------------|--------------------------|---------------------------------------|--------------------------|
| | | Price | 20" | 22" | 24" | 25" | 26" |
| Rear Wheel Type | MAXX Spoke | N/C | <input type="checkbox"/> | <input type="checkbox"/> | <input type="checkbox"/> | <input type="checkbox"/> | <input type="checkbox"/> |
| | Mag | N/C | <input type="checkbox"/> | <input type="checkbox"/> | <input type="checkbox"/> | | |
| | Mag (Color) ² | \$105 | <input type="checkbox"/> | <input type="checkbox"/> | <input type="checkbox"/> | | |
| | Superlight Spoke | \$315 | | | <input type="checkbox"/> | <input type="checkbox"/> ¹ | |
| | Spinergy Spox | \$920 | | <input type="checkbox"/> | <input type="checkbox"/> | <input type="checkbox"/> | <input type="checkbox"/> |
| | Spinergy LX | \$1150 | | <input type="checkbox"/> | <input type="checkbox"/> | <input type="checkbox"/> | <input type="checkbox"/> |

¹ Available only with Superlight and Plastic Coated Handrims

² Color selection on page 6

Spinergy Options

Select spoke color and handrim tab for Spinergy wheels

- Black Spokes Red Spokes Blue Spokes White Spokes N/C

Rear Tire Type

Full Profile

- Street Pneumatic 1 3/8" (E2211, E2212) N/C
Not available on 25" wheel size
- Full Poly 1 3/8" (E2218) N/C
Not available on Superlight wheel or 25" or 26" wheel sizes
- Pneumatic with Airless Insert 1 3/8" (E2211, E2213) \$85
Not available on Superlight wheel or 25" wheel size
- Schwalbe HS-127 1 3/8" (E2211, E2212) \$125
Available only on 24" wheel size. Not available on Mag wheel
- Mountain 2" Black (E2211, E2212) \$105
Available only on 22", 24" and 25" MAXX wheels and Spinergy wheels

Low Profile

- Low Poly 1" (E2218) \$75
Not available on Superlight wheel, 25" or 26" wheel sizes
- Sentinel Solid Tire 1" \$95
Not available on Superlight wheel
- High Pressure 1" (E2211, E2212) \$95
Not available on Mag wheel
- Schwalbe One 1" (E2211, E2212) \$125
Available only on 24" and 25" wheel sizes. Not available on Mag wheel
- Schwalbe Marathon Plus Evolution 1" (E2211, E2212) \$140
Not available on Mag wheel, 20" or 22" wheel sizes

Handrims

No selection needed with One Arm Drive

Standard Handrims

- Aluminum Anodized N/C
- Superlight Aluminum Anodized \$50
Available only on 24" and 25" wheel sizes. Available only on MAXX Spokes, Superlight or Spinergy wheels.
- Plastic Coated \$115
- Projection (8 Vertical Projections) \$350
Available only with full profile tires in combination with 22", 24", and 26" MAXX Spoke wheels, or 22" and 24" Mag wheels
- Omit Handrim N/C

Ergonomic Handrims

Not available with 20" or 26" wheels. Tab mount only available with 24" wheels.

- Ergo Lite Regular Grip \$465
- Ergo Standard Regular Grip \$445
- Ergo Lite Extra Grip \$515
- Ergo Standard Extra Grip \$495
- Ergo Lite Omit Grip \$395
- Ergo Standard Omit Grip \$375

Handrim Options

Handrim Mount

If no selection is made, Standard Mount will be used

- Close Mount \$25

Micro-Grip

- 3M Micro Grip \$65
Not available on Plastic Coated or Projection Handrims

Axles

- Quick Release N/C
- Quad Quick Release \$185
Not available with Mag or Spinergy wheels

Center of Gravity Presets

Measured from front of back post to center of rear axle. 0" indicates axle will be directly under back post. See reference J on page 7.

| Amputee Positions | | | | |
|--------------------------------|--------------------------------|--------------------------------|--------------------------------|--------------------------------|
| <input type="checkbox"/> -1.5" | <input type="checkbox"/> -1" | <input type="checkbox"/> -.5" | <input type="checkbox"/> 0" | <input type="checkbox"/> .25" |
| Standard Positions | | | | |
| <input type="checkbox"/> .5" | <input type="checkbox"/> .75" | <input type="checkbox"/> 1" | <input type="checkbox"/> 1.25" | <input type="checkbox"/> 1.5" |
| <input type="checkbox"/> 1.75" | <input type="checkbox"/> 2" | <input type="checkbox"/> 2.25" | <input type="checkbox"/> 2.5" | <input type="checkbox"/> 2.75" |
| <input type="checkbox"/> 3" | <input type="checkbox"/> 3.25" | <input type="checkbox"/> 3.5" | <input type="checkbox"/> 3.75" | <input type="checkbox"/> 4" |
| <input type="checkbox"/> 4.25" | <input type="checkbox"/> 4.5" | <input type="checkbox"/> 4.75" | <input type="checkbox"/> 5" | |

Rear Wheel Spacing

1" minimum with 0° camber. 1.5" minimum with T-Arms. The following apply if One Arm Drive is selected: 1.75" minimum with T-Arms. 1.25" minimum with select Rear Seat Heights. See Reference K on page 7.

- 0.75" 1" 1.25" 1.5" 1.75" N/C

Rear Wheel Camber

The following apply if One Arm Drive is selected: 6° and 8° not available. 4° not available with T-Arms.

- 0° 2° 4° 6° 8° N/C

Wheel Locks

Wheel Lock

- Push to Lock N/C
- Push to Lock Flush Mount N/C
- Pull to Lock N/C
- Under Seat Scissor Lock \$35
- Low Profile Scissor Lock \$65
Not available with Low Poly, Full Poly or Sentinel Solid tires
- Short Thro Scissor Lock \$160
- Omit N/C

Wheel Lock Options

- Extension Handles (E0961) \$84
Available only with Push to Lock or Pull to Lock Wheel Locks
- Grade Aids (E0974) \$150
Available only with Push to Lock Wheel Locks and Pneumatic or Pneumatic with Airless Insert tires

Armrests

| Armrest Type | Length | Price |
|---|-------------------------------|-------|
| Height Adjustable T-Arm Tall (11.5"-15") E0973 | Desk <input type="checkbox"/> | \$310 |
| | Full <input type="checkbox"/> | |
| Height Adjustable T-Arm (8.5"-13.5") E0973 | Desk <input type="checkbox"/> | \$340 |
| | Full <input type="checkbox"/> | |
| Height adjustable T-Arm Low (6.5"-10.5") E0973 ¹ | Desk <input type="checkbox"/> | \$340 |
| | Full <input type="checkbox"/> | |

¹ If requested configuration is unavailable, standard height T-Arm will be used. 14" minimum seat depth with Offset Frame.

² Includes direct mount receiver

| Armrest Type | Price |
|---|-------|
| Swing Away (8.5"-12.5") E0973 <input type="checkbox"/> | \$225 |
| Swing Away with Side Guard (8.5"-12.5") E0973 ² <input type="checkbox"/> | \$285 |
| Omit Armrests <input type="checkbox"/> | N/C |

Side Guards

Direct Mount Side Guards

Not available with T-Arms or Swing Away with Side Guard Armrests

- Composite Side Guards - Direct Mount Receiver (K0108) \$145
- Aluminum Straight - Direct Mount Receiver - Black Matte (K0108) \$195
- Aluminum Straight - Direct Mount Receiver - Match Frame Color (K0108) \$245
Not available with Hydrographics
- Aluminum Adjustable Fender w/Foam Pad - Direct Mount Receiver - Black Matte (K0108) \$275
Not available with Adjustable Depth greater than 1/2"
- Aluminum Adjustable Fender w/Foam Pad - Direct Mount Receiver - Match Frame Color (K0108) \$325
Not available with Adjustable Depth greater than 1/2". Not available with Hydrographics.
- Carbon Fiber Adjustable Fender - Direct Mount Receiver (K0108) \$485
Not available with Adjustable Depth greater than 1/2"

Clamp-On Mount Side Guards

Not available with T-Arms or Swing Away with Side Guard Armrests

- Composite Side Guards - Clamp-On Receiver (K0108) \$175
- Aluminum Straight - Clamp On Receiver - Black Matte (K0108) \$225
- Aluminum Straight - Clamp-On Receiver - Match Frame Color (K0108) \$275
Not available with Hydrographics
- Aluminum Adjustable Fender w/Foam Pad - Clamp-On Receiver - Black Matte (K0108) \$305
- Aluminum Adjustable Fender w/Foam Pad - Clamp-On Receiver - Match Frame Color (K0108) \$355
Not available with Hydrographics
- Carbon Fiber Adjustable Fender - Clamp-On Receiver (K0108) \$515

Accessories

Anti-Tips

- Rear Anti-Tips (E0971) \$165
- User Activated - Pair \$340
- User Activated - Left \$170
- User Activated - Right \$170
- Omit N/C

Calf Strap

- Velcro Adjustable (K0038) \$42
- Padded Velcro Adjustable (K0038) \$68
- Bodypoint Padded AeroMesh (K0038) \$118

Pelvic Positioning Belt

- 1 1/2" Auto Buckle Pelvic Positioning Belt (E0978) \$85
- 1 1/2" Padded Auto Buckle Pelvic Positioning Belt (E0978) \$170
- Small Bodypoint Evoflex (16-24") (E0978) \$188
- Medium Bodypoint Evoflex (19-29") (E0978) \$188
- Large Bodypoint Evoflex (25-37") (E0978) \$188

Other Accessories

- Tool Kit \$50
- Removable Underseat Pouch \$50
- Ki Mobility Backpack \$65
- Luggage Carrier \$85
- Black Neoprene Impact Guards \$90
- Under Chair Carrier and Removable Bag \$85
Not available with Seat Widths less than 14" or scissor locks
- Cane and Crutch Holder \$195

Belt Mounting Kit

- Ki Mobility Belt Mounting Clamp \$35
- Bodypoint Belt Mounting Bracket Kit \$108

Color

| Options | Price | Colors | | | | | | | | | | | | | | | | | | | |
|----------------------|-------|---|--------------------------|--------------------------|--------------------------|--------------------------|--------------------------|--------------------------|--------------------------|--------------------------|--------------------------|--------------------------|--------------------------|--------------------------|--------------------------|--------------------------|--------------------------|--------------------------|--------------------------|--------------------------|--------------------------|
| | | Gloss | | | | | | | | | | | | Matte | | | | | | | |
| | | Black | Blue Skies | Bubblegum Pink | Candy Blue | Candy Purple | Candy Red | Copper | Granny Smith | MRGallic Orange | Silver | Teal | Yellow | Charcoal Gray | Emerald Green | Iridescent Burgundy | Iridescent Navy | Military Green | Retro Red | Royal Blue | Shadow Black |
| Frame | N/C | <input type="checkbox"/> | <input type="checkbox"/> | <input type="checkbox"/> | <input type="checkbox"/> | <input type="checkbox"/> | <input type="checkbox"/> | <input type="checkbox"/> | <input type="checkbox"/> | <input type="checkbox"/> | <input type="checkbox"/> | <input type="checkbox"/> | <input type="checkbox"/> | <input type="checkbox"/> | <input type="checkbox"/> | <input type="checkbox"/> | <input type="checkbox"/> | <input type="checkbox"/> | <input type="checkbox"/> | <input type="checkbox"/> | <input type="checkbox"/> |
| Backrest Release Bar | \$50 | <input type="checkbox"/> | <input type="checkbox"/> | <input type="checkbox"/> | <input type="checkbox"/> | <input type="checkbox"/> | <input type="checkbox"/> | <input type="checkbox"/> | <input type="checkbox"/> | <input type="checkbox"/> | <input type="checkbox"/> | <input type="checkbox"/> | <input type="checkbox"/> | <input type="checkbox"/> | <input type="checkbox"/> | <input type="checkbox"/> | <input type="checkbox"/> | <input type="checkbox"/> | <input type="checkbox"/> | <input type="checkbox"/> | <input type="checkbox"/> |
| | N/C | <input type="checkbox"/> Black Anodized | | | | | | | | | | | | | | | | | | | |
| MAXX Mag Color | | <input type="checkbox"/> | <input type="checkbox"/> | <input type="checkbox"/> | <input type="checkbox"/> | <input type="checkbox"/> | <input type="checkbox"/> | <input type="checkbox"/> | <input type="checkbox"/> | <input type="checkbox"/> | <input type="checkbox"/> | <input type="checkbox"/> | <input type="checkbox"/> | <input type="checkbox"/> | <input type="checkbox"/> | <input type="checkbox"/> | <input type="checkbox"/> | <input type="checkbox"/> | <input type="checkbox"/> | <input type="checkbox"/> | <input type="checkbox"/> |

Colored Anodizing Package

Select desired color. If no selection is made, black will be used.

| | Color | Black ¹ | Blue | Bright Green | Gold | Orange | Pewter | Pink | Purple | Red |
|--------|--------------------------|--------------------------|--------------------------|--------------------------|--------------------------|--------------------------|--------------------------|--------------------------|--------------------------|--------------------------|
| Retail | | N/C | \$25 | \$25 | \$25 | \$25 | \$25 | \$25 | \$25 | \$25 |
| Option | Back Plates ² | <input type="checkbox"/> | <input type="checkbox"/> | <input type="checkbox"/> | <input type="checkbox"/> | <input type="checkbox"/> | <input type="checkbox"/> | <input type="checkbox"/> | <input type="checkbox"/> | <input type="checkbox"/> |
| | Camber Tube ³ | <input type="checkbox"/> | <input type="checkbox"/> | <input type="checkbox"/> | <input type="checkbox"/> | <input type="checkbox"/> | <input type="checkbox"/> | <input type="checkbox"/> | <input type="checkbox"/> | <input type="checkbox"/> |
| | Towers | <input type="checkbox"/> | <input type="checkbox"/> | <input type="checkbox"/> | <input type="checkbox"/> | <input type="checkbox"/> | <input type="checkbox"/> | <input type="checkbox"/> | <input type="checkbox"/> | <input type="checkbox"/> |
| | Side Guard Receiver | <input type="checkbox"/> | <input type="checkbox"/> | <input type="checkbox"/> | <input type="checkbox"/> | <input type="checkbox"/> | <input type="checkbox"/> | <input type="checkbox"/> | <input type="checkbox"/> | <input type="checkbox"/> |
| | Caster Fork ³ | <input type="checkbox"/> | <input type="checkbox"/> | <input type="checkbox"/> | <input type="checkbox"/> | <input type="checkbox"/> | <input type="checkbox"/> | <input type="checkbox"/> | <input type="checkbox"/> | <input type="checkbox"/> |

¹ Black is no charge

² Not available with Transit Option

³ Available only with Standard or Single Sided

References

A. Seat Width See Diagram 1

Measured from outside of frame tube on one side to outside of frame tube on other side.

B. Seat Depth See Diagram 3

Measured from front of back posts to front edge of seat sling. Seat sling starts at beginning of bend at front of frame.

C. Sling Position See Diagram 2

In Performance Position (0°), sling is at front of frame to keep chair shorter and more maneuverable. The 1° or 2° seat sling position extends the frame in front of the sling by that amount. Adding more frame can improve stability and provide support to aid in transfers.

D. Front Frame Bend See Diagram 3

Angle between front seat tube and ground.

E. Footrest Taper See Diagram 1

Indicates bend of front frame creating footrest. Taper is measured from outside of seat frame to outside of front tube.

F. Front Seat Height See Diagram 1

Measured from floor to top of seat tube at front of seat sling.

G. Footrest Width See Diagram 1

Measured from inside of front tube to inside of front tube on other side. Footrest width is listed below for each seat width and taper.

| Seat Width | Straight | 1" Y Taper | 2" Y Taper | 3.5° V Taper | 7° V Taper |
|---------------------|-----------------------------|-----------------------------|-----------------------------|-----------------------------|-----------------------------|
| Outside Measurement | 2" Narrower than Seat Width | 4" Narrower than Seat Width | 6" Narrower than Seat Width | 4" Narrower than Seat Width | 6" Narrower than Seat Width |
| 12" | 9.5" | 7.5" | | 7.5" | |
| 13" | 10.5" | 8.5" | | 8.5" | |
| 14" | 11.5" | 9.5" | | 9.5" | |
| 15" | 12.5" | 10.5" | | 10.5" | |
| 16" | 13.5" | 11.5" | 9.5" | 11.5" | 9.5" |
| 17" | 14.5" | 12.5" | 10.5" | 12.5" | 10.5" |
| 18" | 15.5" | 13.5" | 11.5" | 13.5" | 11.5" |
| 19" | 16.5" | 14.5" | 12.5" | 14.5" | 12.5" |
| 20" | 17.5" | 15.5" | 13.5" | 15.5" | 13.5" |

H. Seat to Footrest Length See Diagram 3

Measured from front edge of seat sling to top rear of footrest. Footrest length of at least 2.5" shorter than front seat height recommended.

I. Rear Seat Height See Diagram 3

Measured from floor to top of seat tube at front of back post. Rear seat height is custom to needs.

J. Center of Gravity Preset See Diagram 3

Measured from front of back post to center of rear axle. 0° indicates axle will be directly under back post.

K. Rear Wheel Spacing See Diagram 1

Measured from outside of seat back to inside of rear tire. Adjustable out .5" from setting.

L. Caster Position See Diagram 4

The Optimized Position keeps the casters tighter to the frame for enhanced maneuverability. Expanded Position pushes the casters out .75" past the Optimized Position for increased stability.

Diagram 1

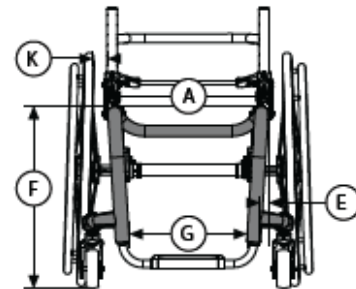


Diagram 2

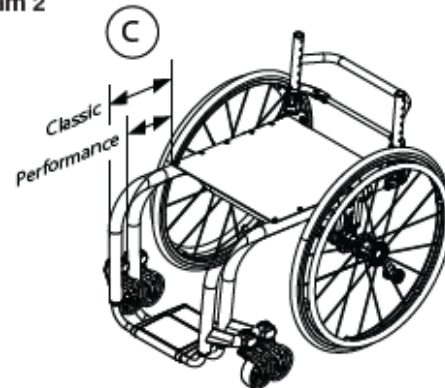


Diagram 3

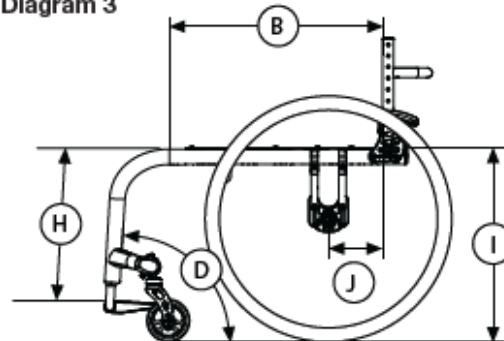
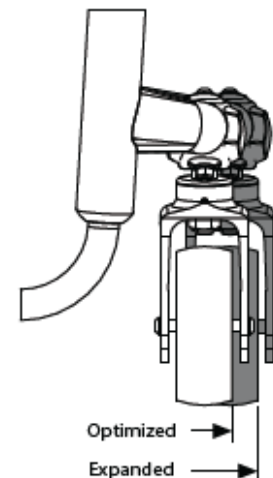


Diagram 4



Axiom G

| | | Width | | | | | | | | | | | | | | | |
|--------|-----|--------------------------|--------------------------|--------------------------|--------------------------|--------------------------|--------------------------|--------------------------|--------------------------|--------------------------|--------------------------|--------------------------|--------------------------|--------------------------|--------------------------|--------------------------|--------------------------|
| | | 14" | | 15" | | 16" | | 17" | | 18" | | 19" | | 20" | | 22" | |
| | | Cushion | Outer Cover | Cushion | Outer Cover | Cushion | Outer Cover | Cushion | Outer Cover | Cushion | Outer Cover | Cushion | Outer Cover | Cushion | Outer Cover | Cushion | Outer Cover |
| Retail | | \$135 | \$84 | \$135 | \$84 | \$135 | \$84 | \$135 | \$84 | \$135 | \$84 | \$135 | \$84 | \$135 | \$84 | \$223 | \$84 |
| HCPC | | E2601 | | E2601 | | E2601 | | E2601 | | E2601 | | E2601 | | E2601 | | E2602 | |
| Depth | 14" | <input type="checkbox"/> | <input type="checkbox"/> | | | | | | | | | | | | | | |
| | 15" | <input type="checkbox"/> | <input type="checkbox"/> | <input type="checkbox"/> | <input type="checkbox"/> | <input type="checkbox"/> | <input type="checkbox"/> | | | | | | | | | | |
| | 16" | <input type="checkbox"/> | <input type="checkbox"/> | <input type="checkbox"/> | <input type="checkbox"/> | <input type="checkbox"/> | <input type="checkbox"/> | <input type="checkbox"/> | <input type="checkbox"/> | <input type="checkbox"/> | <input type="checkbox"/> | <input type="checkbox"/> | <input type="checkbox"/> | <input type="checkbox"/> | <input type="checkbox"/> | | |
| | 17" | <input type="checkbox"/> | <input type="checkbox"/> | <input type="checkbox"/> | <input type="checkbox"/> | <input type="checkbox"/> | <input type="checkbox"/> | <input type="checkbox"/> | <input type="checkbox"/> | <input type="checkbox"/> | <input type="checkbox"/> | <input type="checkbox"/> | <input type="checkbox"/> | <input type="checkbox"/> | <input type="checkbox"/> | | |
| | 18" | <input type="checkbox"/> | <input type="checkbox"/> | <input type="checkbox"/> | <input type="checkbox"/> | <input type="checkbox"/> | <input type="checkbox"/> | <input type="checkbox"/> | <input type="checkbox"/> | <input type="checkbox"/> | <input type="checkbox"/> | <input type="checkbox"/> | <input type="checkbox"/> | <input type="checkbox"/> | <input type="checkbox"/> | <input type="checkbox"/> | <input type="checkbox"/> |
| | 19" | | | <input type="checkbox"/> | <input type="checkbox"/> | <input type="checkbox"/> | <input type="checkbox"/> | <input type="checkbox"/> | <input type="checkbox"/> | <input type="checkbox"/> | <input type="checkbox"/> | <input type="checkbox"/> | <input type="checkbox"/> | <input type="checkbox"/> | <input type="checkbox"/> | <input type="checkbox"/> | <input type="checkbox"/> |
| | 20" | | | <input type="checkbox"/> | <input type="checkbox"/> | <input type="checkbox"/> | <input type="checkbox"/> | <input type="checkbox"/> | <input type="checkbox"/> | <input type="checkbox"/> | <input type="checkbox"/> | <input type="checkbox"/> | <input type="checkbox"/> | <input type="checkbox"/> | <input type="checkbox"/> | <input type="checkbox"/> | <input type="checkbox"/> |
| | 21" | | | | | <input type="checkbox"/> | <input type="checkbox"/> | | | <input type="checkbox"/> | <input type="checkbox"/> | <input type="checkbox"/> | <input type="checkbox"/> | <input type="checkbox"/> | <input type="checkbox"/> | <input type="checkbox"/> | <input type="checkbox"/> |
| | 22" | | | | | <input type="checkbox"/> | <input type="checkbox"/> | | | <input type="checkbox"/> | <input type="checkbox"/> | <input type="checkbox"/> | <input type="checkbox"/> | <input type="checkbox"/> | <input type="checkbox"/> | <input type="checkbox"/> | <input type="checkbox"/> |

Axiom S

| | | Width | | | | | | | | | | | | | | | |
|--------|-----|--------------------------|--------------------------|--------------------------|--------------------------|--------------------------|--------------------------|--------------------------|--------------------------|--------------------------|--------------------------|--------------------------|--------------------------|--------------------------|--------------------------|--------------------------|--------------------------|
| | | 14" | | 15" | | 16" | | 17" | | 18" | | 19" | | 20" | | 22" | |
| | | Cushion | Outer Cover | Cushion | Outer Cover | Cushion | Outer Cover | Cushion | Outer Cover | Cushion | Outer Cover | Cushion | Outer Cover | Cushion | Outer Cover | Cushion | Outer Cover |
| Retail | | \$229 | \$96 | \$229 | \$96 | \$229 | \$96 | \$229 | \$96 | \$229 | \$96 | \$229 | \$96 | \$229 | \$96 | \$343 | \$96 |
| HCPC | | E2603 | | E2603 | | E2603 | | E2603 | | E2603 | | E2603 | | E2603 | | E2604 | |
| Depth | 14" | <input type="checkbox"/> | <input type="checkbox"/> | | | | | | | | | | | | | | |
| | 15" | <input type="checkbox"/> | <input type="checkbox"/> | <input type="checkbox"/> | <input type="checkbox"/> | <input type="checkbox"/> | <input type="checkbox"/> | | | | | | | | | | |
| | 16" | <input type="checkbox"/> | <input type="checkbox"/> | <input type="checkbox"/> | <input type="checkbox"/> | <input type="checkbox"/> | <input type="checkbox"/> | <input type="checkbox"/> | <input type="checkbox"/> | <input type="checkbox"/> | <input type="checkbox"/> | <input type="checkbox"/> | <input type="checkbox"/> | <input type="checkbox"/> | <input type="checkbox"/> | | |
| | 17" | <input type="checkbox"/> | <input type="checkbox"/> | <input type="checkbox"/> | <input type="checkbox"/> | <input type="checkbox"/> | <input type="checkbox"/> | <input type="checkbox"/> | <input type="checkbox"/> | <input type="checkbox"/> | <input type="checkbox"/> | <input type="checkbox"/> | <input type="checkbox"/> | <input type="checkbox"/> | <input type="checkbox"/> | | |
| | 18" | <input type="checkbox"/> | <input type="checkbox"/> | <input type="checkbox"/> | <input type="checkbox"/> | <input type="checkbox"/> | <input type="checkbox"/> | <input type="checkbox"/> | <input type="checkbox"/> | <input type="checkbox"/> | <input type="checkbox"/> | <input type="checkbox"/> | <input type="checkbox"/> | <input type="checkbox"/> | <input type="checkbox"/> | <input type="checkbox"/> | <input type="checkbox"/> |
| | 19" | | | <input type="checkbox"/> | <input type="checkbox"/> | <input type="checkbox"/> | <input type="checkbox"/> | <input type="checkbox"/> | <input type="checkbox"/> | <input type="checkbox"/> | <input type="checkbox"/> | <input type="checkbox"/> | <input type="checkbox"/> | <input type="checkbox"/> | <input type="checkbox"/> | <input type="checkbox"/> | <input type="checkbox"/> |
| | 20" | | | <input type="checkbox"/> | <input type="checkbox"/> | <input type="checkbox"/> | <input type="checkbox"/> | <input type="checkbox"/> | <input type="checkbox"/> | <input type="checkbox"/> | <input type="checkbox"/> | <input type="checkbox"/> | <input type="checkbox"/> | <input type="checkbox"/> | <input type="checkbox"/> | <input type="checkbox"/> | <input type="checkbox"/> |
| | 21" | | | | | <input type="checkbox"/> | <input type="checkbox"/> | | | <input type="checkbox"/> | <input type="checkbox"/> | <input type="checkbox"/> | <input type="checkbox"/> | <input type="checkbox"/> | <input type="checkbox"/> | <input type="checkbox"/> | <input type="checkbox"/> |
| | 22" | | | | | <input type="checkbox"/> | <input type="checkbox"/> | | | <input type="checkbox"/> | <input type="checkbox"/> | <input type="checkbox"/> | <input type="checkbox"/> | <input type="checkbox"/> | <input type="checkbox"/> | <input type="checkbox"/> | <input type="checkbox"/> |

Axiom P

| | | Width | | | | | | | | | | | | | | | |
|--------|-----|--------------------------|--------------------------|--------------------------|--------------------------|--------------------------|--------------------------|--------------------------|--------------------------|--------------------------|--------------------------|--------------------------|--------------------------|--------------------------|--------------------------|--------------------------|--------------------------|
| | | 14" | | 15" | | 16" | | 17" | | 18" | | 19" | | 20" | | 22" | |
| | | Cushion | Outer Cover | Cushion | Outer Cover | Cushion | Outer Cover | Cushion | Outer Cover | Cushion | Outer Cover | Cushion | Outer Cover | Cushion | Outer Cover | Cushion | Outer Cover |
| Retail | | \$397 | \$107 | \$397 | \$107 | \$397 | \$107 | \$397 | \$107 | \$397 | \$107 | \$397 | \$107 | \$397 | \$107 | \$515 | \$107 |
| HCPC | | E2605 | | E2605 | | E2605 | | E2605 | | E2605 | | E2605 | | E2605 | | E2606 | |
| Depth | 14" | <input type="checkbox"/> | <input type="checkbox"/> | | | | | | | | | | | | | | |
| | 15" | <input type="checkbox"/> | <input type="checkbox"/> | <input type="checkbox"/> | <input type="checkbox"/> | <input type="checkbox"/> | <input type="checkbox"/> | | | | | | | | | | |
| | 16" | <input type="checkbox"/> | <input type="checkbox"/> | <input type="checkbox"/> | <input type="checkbox"/> | <input type="checkbox"/> | <input type="checkbox"/> | <input type="checkbox"/> | <input type="checkbox"/> | <input type="checkbox"/> | <input type="checkbox"/> | <input type="checkbox"/> | <input type="checkbox"/> | <input type="checkbox"/> | <input type="checkbox"/> | | |
| | 17" | <input type="checkbox"/> | <input type="checkbox"/> | <input type="checkbox"/> | <input type="checkbox"/> | <input type="checkbox"/> | <input type="checkbox"/> | <input type="checkbox"/> | <input type="checkbox"/> | <input type="checkbox"/> | <input type="checkbox"/> | <input type="checkbox"/> | <input type="checkbox"/> | <input type="checkbox"/> | <input type="checkbox"/> | | |
| | 18" | <input type="checkbox"/> | <input type="checkbox"/> | <input type="checkbox"/> | <input type="checkbox"/> | <input type="checkbox"/> | <input type="checkbox"/> | <input type="checkbox"/> | <input type="checkbox"/> | <input type="checkbox"/> | <input type="checkbox"/> | <input type="checkbox"/> | <input type="checkbox"/> | <input type="checkbox"/> | <input type="checkbox"/> | <input type="checkbox"/> | <input type="checkbox"/> |
| | 19" | | | <input type="checkbox"/> | <input type="checkbox"/> | <input type="checkbox"/> | <input type="checkbox"/> | <input type="checkbox"/> | <input type="checkbox"/> | <input type="checkbox"/> | <input type="checkbox"/> | <input type="checkbox"/> | <input type="checkbox"/> | <input type="checkbox"/> | <input type="checkbox"/> | <input type="checkbox"/> | <input type="checkbox"/> |
| | 20" | | | <input type="checkbox"/> | <input type="checkbox"/> | <input type="checkbox"/> | <input type="checkbox"/> | <input type="checkbox"/> | <input type="checkbox"/> | <input type="checkbox"/> | <input type="checkbox"/> | <input type="checkbox"/> | <input type="checkbox"/> | <input type="checkbox"/> | <input type="checkbox"/> | <input type="checkbox"/> | <input type="checkbox"/> |
| | 21" | | | | | <input type="checkbox"/> | <input type="checkbox"/> | | | <input type="checkbox"/> | <input type="checkbox"/> | <input type="checkbox"/> | <input type="checkbox"/> | <input type="checkbox"/> | <input type="checkbox"/> | <input type="checkbox"/> | <input type="checkbox"/> |
| | 22" | | | | | <input type="checkbox"/> | <input type="checkbox"/> | | | <input type="checkbox"/> | <input type="checkbox"/> | <input type="checkbox"/> | <input type="checkbox"/> | <input type="checkbox"/> | <input type="checkbox"/> | <input type="checkbox"/> | <input type="checkbox"/> |

HCPCS codes provided are based on code verification by the PDAC or our interpretation of the code definitions.
 Proper use of HCPCS codes does not ensure coverage or payment. For coverage information, verify the appropriate payer's coverage policy.
 DCN0236.7 Pricing and specifications subject to change without notice.

Axiom SP - Visco

| | | Width | | | | | | | | | | | | | | | | | | | | | | | | | | | | |
|--------|-------|--------------------------|--------------------------|--------------------------|--------------------------|--------------------------|--------------------------|--------------------------|--------------------------|--------------------------|--------------------------|--------------------------|--------------------------|--------------------------|--------------------------|--------------------------|--------------------------|--------------------------|--------------------------|--------------------------|--------------------------|--------------------------|--------------------------|--------------------------|--------------------------|--------------------------|--------------------------|--------------------------|--|--|
| | | 14" | | | 15" | | | 16" | | | 17" | | | 18" | | | 19" | | | 20" | | | 21" | | | 22" | | | | |
| | | Cushion | Cover | | Cushion | Cover | | Cushion | Cover | | Cushion | Cover | | Cushion | Cover | | Cushion | Cover | | Cushion | Cover | | Cushion | Cover | | | | | | |
| | | Inner | Outer | | Inner | Outer | | Inner | Outer | | Inner | Outer | | Inner | Outer | | Inner | Outer | | Inner | Outer | | Inner | Outer | | Inner | Outer | | | |
| Retail | \$481 | \$118 | | \$481 | \$118 | | \$481 | \$118 | | \$481 | \$118 | | \$481 | \$118 | | \$481 | \$118 | | \$588 | \$118 | | \$588 | \$118 | | | | | | | |
| HCPC | E2607 | | | E2607 | | | E2607 | | | E2607 | | | E2607 | | | E2607 | | | E2607 | | | E2608 | | | E2608 | | | | | |
| Depth | 14" | <input type="checkbox"/> | <input type="checkbox"/> | <input type="checkbox"/> | | | | | | | | | | | | | | | | | | | | | | | | | | |
| | 15" | <input type="checkbox"/> | <input type="checkbox"/> | <input type="checkbox"/> | <input type="checkbox"/> | <input type="checkbox"/> | <input type="checkbox"/> | <input type="checkbox"/> | <input type="checkbox"/> | <input type="checkbox"/> | | | | | | | | | | | | | | | | | | | | |
| | 16" | <input type="checkbox"/> | <input type="checkbox"/> | <input type="checkbox"/> | <input type="checkbox"/> | <input type="checkbox"/> | <input type="checkbox"/> | <input type="checkbox"/> | <input type="checkbox"/> | <input type="checkbox"/> | <input type="checkbox"/> | <input type="checkbox"/> | <input type="checkbox"/> | <input type="checkbox"/> | <input type="checkbox"/> | <input type="checkbox"/> | <input type="checkbox"/> | <input type="checkbox"/> | <input type="checkbox"/> | <input type="checkbox"/> | <input type="checkbox"/> | <input type="checkbox"/> | | | | <input type="checkbox"/> | <input type="checkbox"/> | <input type="checkbox"/> | | |
| | 17" | <input type="checkbox"/> | <input type="checkbox"/> | <input type="checkbox"/> | <input type="checkbox"/> | <input type="checkbox"/> | <input type="checkbox"/> | <input type="checkbox"/> | <input type="checkbox"/> | <input type="checkbox"/> | <input type="checkbox"/> | <input type="checkbox"/> | <input type="checkbox"/> | <input type="checkbox"/> | <input type="checkbox"/> | <input type="checkbox"/> | <input type="checkbox"/> | <input type="checkbox"/> | <input type="checkbox"/> | <input type="checkbox"/> | <input type="checkbox"/> | <input type="checkbox"/> | | | | <input type="checkbox"/> | <input type="checkbox"/> | <input type="checkbox"/> | | |
| | 18" | <input type="checkbox"/> | <input type="checkbox"/> | <input type="checkbox"/> | <input type="checkbox"/> | <input type="checkbox"/> | <input type="checkbox"/> | <input type="checkbox"/> | <input type="checkbox"/> | <input type="checkbox"/> | <input type="checkbox"/> | <input type="checkbox"/> | <input type="checkbox"/> | <input type="checkbox"/> | <input type="checkbox"/> | <input type="checkbox"/> | <input type="checkbox"/> | <input type="checkbox"/> | <input type="checkbox"/> | <input type="checkbox"/> | <input type="checkbox"/> | <input type="checkbox"/> | <input type="checkbox"/> | <input type="checkbox"/> | <input type="checkbox"/> | <input type="checkbox"/> | <input type="checkbox"/> | <input type="checkbox"/> | | |
| | 19" | | | | <input type="checkbox"/> | <input type="checkbox"/> | <input type="checkbox"/> | <input type="checkbox"/> | <input type="checkbox"/> | <input type="checkbox"/> | <input type="checkbox"/> | <input type="checkbox"/> | <input type="checkbox"/> | <input type="checkbox"/> | <input type="checkbox"/> | <input type="checkbox"/> | <input type="checkbox"/> | <input type="checkbox"/> | <input type="checkbox"/> | <input type="checkbox"/> | <input type="checkbox"/> | <input type="checkbox"/> | <input type="checkbox"/> | <input type="checkbox"/> | <input type="checkbox"/> | <input type="checkbox"/> | <input type="checkbox"/> | <input type="checkbox"/> | | |
| | 20" | | | | <input type="checkbox"/> | <input type="checkbox"/> | <input type="checkbox"/> | <input type="checkbox"/> | <input type="checkbox"/> | <input type="checkbox"/> | <input type="checkbox"/> | <input type="checkbox"/> | <input type="checkbox"/> | <input type="checkbox"/> | <input type="checkbox"/> | <input type="checkbox"/> | <input type="checkbox"/> | <input type="checkbox"/> | <input type="checkbox"/> | <input type="checkbox"/> | <input type="checkbox"/> | <input type="checkbox"/> | <input type="checkbox"/> | <input type="checkbox"/> | <input type="checkbox"/> | <input type="checkbox"/> | <input type="checkbox"/> | <input type="checkbox"/> | | |
| | 21" | | | | | | | <input type="checkbox"/> | <input type="checkbox"/> | <input type="checkbox"/> | <input type="checkbox"/> | <input type="checkbox"/> | <input type="checkbox"/> | <input type="checkbox"/> | <input type="checkbox"/> | <input type="checkbox"/> | <input type="checkbox"/> | <input type="checkbox"/> | <input type="checkbox"/> | <input type="checkbox"/> | <input type="checkbox"/> | <input type="checkbox"/> | <input type="checkbox"/> | <input type="checkbox"/> | <input type="checkbox"/> | <input type="checkbox"/> | <input type="checkbox"/> | <input type="checkbox"/> | | |
| | 22" | | | | | | | <input type="checkbox"/> | <input type="checkbox"/> | <input type="checkbox"/> | <input type="checkbox"/> | <input type="checkbox"/> | <input type="checkbox"/> | <input type="checkbox"/> | <input type="checkbox"/> | <input type="checkbox"/> | <input type="checkbox"/> | <input type="checkbox"/> | <input type="checkbox"/> | <input type="checkbox"/> | <input type="checkbox"/> | <input type="checkbox"/> | <input type="checkbox"/> | <input type="checkbox"/> | <input type="checkbox"/> | <input type="checkbox"/> | <input type="checkbox"/> | <input type="checkbox"/> | | |

Axiom SP - Fluid

| | | Width | | | | | | | | | | | | | | | | | | | | | | | | | | | | |
|--------|-------|--------------------------|--------------------------|--------------------------|--------------------------|--------------------------|--------------------------|--------------------------|--------------------------|--------------------------|--------------------------|--------------------------|--------------------------|--------------------------|--------------------------|--------------------------|--------------------------|--------------------------|--------------------------|--------------------------|--------------------------|--------------------------|--------------------------|--------------------------|--------------------------|--------------------------|--------------------------|--------------------------|-------|-------|
| | | 14" | | | 15" | | | 16" | | | 17" | | | 18" | | | 19" | | | 20" | | | 21" | | | 22" | | | | |
| | | Cushion | Cover | | Cushion | Cover | | Cushion | Cover | | Cushion | Cover | | Cushion | Cover | | Cushion | Cover | | Cushion | Cover | | Cushion | Cover | | Cushion | Cover | | | |
| | | Inner | Outer | | Inner | Outer | | Inner | Outer | | Inner | Outer | | Inner | Outer | | Inner | Outer | | Inner | Outer | | Inner | Outer | | Inner | Outer | | Inner | Outer |
| Retail | \$492 | \$118 | | \$492 | \$118 | | \$492 | \$118 | | \$492 | \$118 | | \$492 | \$118 | | \$492 | \$118 | | \$602 | \$118 | | \$602 | \$118 | | | | | | | |
| HCPC | E2607 | | | E2607 | | | E2607 | | | E2607 | | | E2607 | | | E2607 | | | E2607 | | | E2608 | | | E2608 | | | | | |
| Depth | 14" | <input type="checkbox"/> | <input type="checkbox"/> | <input type="checkbox"/> | | | | | | | | | | | | | | | | | | | | | | | | | | |
| | 15" | <input type="checkbox"/> | <input type="checkbox"/> | <input type="checkbox"/> | <input type="checkbox"/> | <input type="checkbox"/> | <input type="checkbox"/> | <input type="checkbox"/> | <input type="checkbox"/> | <input type="checkbox"/> | | | | | | | | | | | | | | | | | | | | |
| | 16" | <input type="checkbox"/> | <input type="checkbox"/> | <input type="checkbox"/> | <input type="checkbox"/> | <input type="checkbox"/> | <input type="checkbox"/> | <input type="checkbox"/> | <input type="checkbox"/> | <input type="checkbox"/> | <input type="checkbox"/> | <input type="checkbox"/> | <input type="checkbox"/> | <input type="checkbox"/> | <input type="checkbox"/> | <input type="checkbox"/> | <input type="checkbox"/> | <input type="checkbox"/> | <input type="checkbox"/> | <input type="checkbox"/> | <input type="checkbox"/> | <input type="checkbox"/> | | | | <input type="checkbox"/> | <input type="checkbox"/> | <input type="checkbox"/> | | |
| | 17" | <input type="checkbox"/> | <input type="checkbox"/> | <input type="checkbox"/> | <input type="checkbox"/> | <input type="checkbox"/> | <input type="checkbox"/> | <input type="checkbox"/> | <input type="checkbox"/> | <input type="checkbox"/> | <input type="checkbox"/> | <input type="checkbox"/> | <input type="checkbox"/> | <input type="checkbox"/> | <input type="checkbox"/> | <input type="checkbox"/> | <input type="checkbox"/> | <input type="checkbox"/> | <input type="checkbox"/> | <input type="checkbox"/> | <input type="checkbox"/> | <input type="checkbox"/> | | | | <input type="checkbox"/> | <input type="checkbox"/> | <input type="checkbox"/> | | |
| | 18" | <input type="checkbox"/> | <input type="checkbox"/> | <input type="checkbox"/> | <input type="checkbox"/> | <input type="checkbox"/> | <input type="checkbox"/> | <input type="checkbox"/> | <input type="checkbox"/> | <input type="checkbox"/> | <input type="checkbox"/> | <input type="checkbox"/> | <input type="checkbox"/> | <input type="checkbox"/> | <input type="checkbox"/> | <input type="checkbox"/> | <input type="checkbox"/> | <input type="checkbox"/> | <input type="checkbox"/> | <input type="checkbox"/> | <input type="checkbox"/> | <input type="checkbox"/> | <input type="checkbox"/> | <input type="checkbox"/> | <input type="checkbox"/> | <input type="checkbox"/> | <input type="checkbox"/> | <input type="checkbox"/> | | |
| | 19" | | | | <input type="checkbox"/> | <input type="checkbox"/> | <input type="checkbox"/> | <input type="checkbox"/> | <input type="checkbox"/> | <input type="checkbox"/> | <input type="checkbox"/> | <input type="checkbox"/> | <input type="checkbox"/> | <input type="checkbox"/> | <input type="checkbox"/> | <input type="checkbox"/> | <input type="checkbox"/> | <input type="checkbox"/> | <input type="checkbox"/> | <input type="checkbox"/> | <input type="checkbox"/> | <input type="checkbox"/> | <input type="checkbox"/> | <input type="checkbox"/> | <input type="checkbox"/> | <input type="checkbox"/> | <input type="checkbox"/> | <input type="checkbox"/> | | |
| | 20" | | | | <input type="checkbox"/> | <input type="checkbox"/> | <input type="checkbox"/> | <input type="checkbox"/> | <input type="checkbox"/> | <input type="checkbox"/> | <input type="checkbox"/> | <input type="checkbox"/> | <input type="checkbox"/> | <input type="checkbox"/> | <input type="checkbox"/> | <input type="checkbox"/> | <input type="checkbox"/> | <input type="checkbox"/> | <input type="checkbox"/> | <input type="checkbox"/> | <input type="checkbox"/> | <input type="checkbox"/> | <input type="checkbox"/> | <input type="checkbox"/> | <input type="checkbox"/> | <input type="checkbox"/> | <input type="checkbox"/> | <input type="checkbox"/> | | |
| | 21" | | | | | | | <input type="checkbox"/> | <input type="checkbox"/> | <input type="checkbox"/> | <input type="checkbox"/> | <input type="checkbox"/> | <input type="checkbox"/> | <input type="checkbox"/> | <input type="checkbox"/> | <input type="checkbox"/> | <input type="checkbox"/> | <input type="checkbox"/> | <input type="checkbox"/> | <input type="checkbox"/> | <input type="checkbox"/> | <input type="checkbox"/> | <input type="checkbox"/> | <input type="checkbox"/> | <input type="checkbox"/> | <input type="checkbox"/> | <input type="checkbox"/> | <input type="checkbox"/> | | |
| | 22" | | | | | | | <input type="checkbox"/> | <input type="checkbox"/> | <input type="checkbox"/> | <input type="checkbox"/> | <input type="checkbox"/> | <input type="checkbox"/> | <input type="checkbox"/> | <input type="checkbox"/> | <input type="checkbox"/> | <input type="checkbox"/> | <input type="checkbox"/> | <input type="checkbox"/> | <input type="checkbox"/> | <input type="checkbox"/> | <input type="checkbox"/> | <input type="checkbox"/> | <input type="checkbox"/> | <input type="checkbox"/> | <input type="checkbox"/> | <input type="checkbox"/> | <input type="checkbox"/> | | |

Solid Seat Insert

Weight capacity: 350 lbs

| | | Width | | | | | | | | |
|--------|-----|--------------------------|---------|--------------------------|---------|--------------------------|---------|--------------------------|---------|---------|
| | | 14" | 15" | 16" | 17" | 18" | 19" | 20" | 21" | 22" |
| | | Cushion | Cushion | Cushion | Cushion | Cushion | Cushion | Cushion | Cushion | Cushion |
| Retail | | \$68 | \$68 | \$68 | \$68 | \$68 | \$68 | \$68 | \$68 | |
| Depth | 14" | <input type="checkbox"/> | XI1414 | <input type="checkbox"/> | XI1514 | <input type="checkbox"/> | XI1614 | | | |
| | 15" | <input type="checkbox"/> | XI1415 | <input type="checkbox"/> | XI1515 | <input type="checkbox"/> | XI1615 | <input type="checkbox"/> | XI1715 | |
| | 16" | <input type="checkbox"/> | XI1416 | <input type="checkbox"/> | XI1516 | <input type="checkbox"/> | XI1616 | <input type="checkbox"/> | XI1716 | |
| | 17" | <input type="checkbox"/> | XI1417 | <input type="checkbox"/> | XI1517 | <input type="checkbox"/> | XI1617 | <input type="checkbox"/> | XI1717 | |
| | 18" | <input type="checkbox"/> | XI1418 | <input type="checkbox"/> | XI1518 | <input type="checkbox"/> | XI1618 | <input type="checkbox"/> | XI1718 | |
| | 19" | <input type="checkbox"/> | XI1419 | <input type="checkbox"/> | XI1519 | <input type="checkbox"/> | XI1619 | <input type="checkbox"/> | XI1719 | |
| | 20" | <input type="checkbox"/> | XI1420 | <input type="checkbox"/> | XI1520 | <input type="checkbox"/> | XI1620 | <input type="checkbox"/> | XI1720 | |
| | 21" | | | <input type="checkbox"/> | XI1521 | <input type="checkbox"/> | XI1621 | <input type="checkbox"/> | XI1721 | |
| | 22" | | | <input type="checkbox"/> | XI1522 | <input type="checkbox"/> | XI1622 | <input type="checkbox"/> | XI1722 | |

Star Stabil-Air Cushions

Star Stabil-Air Cushion (3" Tall Cells) w/ Incontinent Cover

| | | Width | | | | | | | | | | | | | | | | | |
|----------|-------------|--------------------------|--------------------------|--------------------------|--------------------------|--------------------------|--------------------------|--------------------------|--------------------------|--------------------------|--------------------------|--------------------------|--------------------------|--------------------------|--------------------------|--------------------------|--------------------------|--------------------------|--------------------------|
| | | 13.5" | | | 15.5" | | | 17.25" | | | 19.25" | | | 21" | | | 22.75" | | |
| | | Cushion | Cover | | Cushion | Cover | | Cushion | Cover | | Cushion | Cover | | Cushion | Cover | | Cushion | Cover | |
| Standard | Incontinent | | Standard | Incontinent | | Standard | Incontinent | | Standard | Incontinent | | Standard | Incontinent | | Standard | Incontinent | | | |
| Retail | \$549 | \$69 | \$80 | \$549 | \$69 | \$80 | \$549 | \$69 | \$80 | \$549 | \$69 | \$80 | \$549 | \$69 | \$80 | \$675 | \$91 | \$103 | |
| HCPCS | E2622 | | | E2622 | | | E2622 | | | E2622 | | | E2622 | | | E2623 | | | |
| Height | 13.5" | <input type="checkbox"/> | <input type="checkbox"/> | <input type="checkbox"/> | | | | | | | | | | | | | | | |
| | 15.5" | <input type="checkbox"/> | <input type="checkbox"/> | <input type="checkbox"/> | <input type="checkbox"/> | <input type="checkbox"/> | <input type="checkbox"/> | <input type="checkbox"/> | <input type="checkbox"/> | <input type="checkbox"/> | <input type="checkbox"/> | <input type="checkbox"/> | <input type="checkbox"/> | <input type="checkbox"/> | <input type="checkbox"/> | <input type="checkbox"/> | <input type="checkbox"/> | <input type="checkbox"/> | |
| | 17.25" | | | | <input type="checkbox"/> | <input type="checkbox"/> | <input type="checkbox"/> | <input type="checkbox"/> | <input type="checkbox"/> | <input type="checkbox"/> | <input type="checkbox"/> | <input type="checkbox"/> | <input type="checkbox"/> | <input type="checkbox"/> | <input type="checkbox"/> | <input type="checkbox"/> | <input type="checkbox"/> | <input type="checkbox"/> | |
| | 19.25" | | | | <input type="checkbox"/> | <input type="checkbox"/> | <input type="checkbox"/> | <input type="checkbox"/> | <input type="checkbox"/> | <input type="checkbox"/> | <input type="checkbox"/> | <input type="checkbox"/> | <input type="checkbox"/> | <input type="checkbox"/> | <input type="checkbox"/> | <input type="checkbox"/> | <input type="checkbox"/> | <input type="checkbox"/> | |
| | 21" | | | | | | | <input type="checkbox"/> | <input type="checkbox"/> | <input type="checkbox"/> | <input type="checkbox"/> | <input type="checkbox"/> | <input type="checkbox"/> | <input type="checkbox"/> | <input type="checkbox"/> | <input type="checkbox"/> | <input type="checkbox"/> | <input type="checkbox"/> | <input type="checkbox"/> |

Star Stabil-Air Cushion (4" Tall Cells) w/ Incontinent Cover

| | | Width | | | | | | | | | | | | | | | | | |
|----------|-------------|--------------------------|--------------------------|--------------------------|--------------------------|--------------------------|--------------------------|--------------------------|--------------------------|--------------------------|--------------------------|--------------------------|--------------------------|--------------------------|--------------------------|--------------------------|--------------------------|--------------------------|--------------------------|
| | | 13.5" | | | 15.5" | | | 17.25" | | | 19.25" | | | 21" | | | 22.75" | | |
| | | Cushion | Cover | | Cushion | Cover | | Cushion | Cover | | Cushion | Cover | | Cushion | Cover | | Cushion | Cover | |
| Standard | Incontinent | | Standard | Incontinent | | Standard | Incontinent | | Standard | Incontinent | | Standard | Incontinent | | Standard | Incontinent | | | |
| Retail | \$549 | \$69 | \$80 | \$549 | \$69 | \$80 | \$549 | \$69 | \$80 | \$549 | \$69 | \$80 | \$549 | \$69 | \$80 | \$675 | \$91 | \$103 | |
| HCPCS | E2622 | | | E2622 | | | E2622 | | | E2622 | | | E2622 | | | E2623 | | | |
| Height | 13.5" | <input type="checkbox"/> | <input type="checkbox"/> | <input type="checkbox"/> | | | | | | | | | | | | | | | |
| | 15.5" | <input type="checkbox"/> | <input type="checkbox"/> | <input type="checkbox"/> | <input type="checkbox"/> | <input type="checkbox"/> | <input type="checkbox"/> | <input type="checkbox"/> | <input type="checkbox"/> | <input type="checkbox"/> | <input type="checkbox"/> | <input type="checkbox"/> | <input type="checkbox"/> | <input type="checkbox"/> | <input type="checkbox"/> | <input type="checkbox"/> | <input type="checkbox"/> | <input type="checkbox"/> | |
| | 17.25" | | | | <input type="checkbox"/> | <input type="checkbox"/> | <input type="checkbox"/> | <input type="checkbox"/> | <input type="checkbox"/> | <input type="checkbox"/> | <input type="checkbox"/> | <input type="checkbox"/> | <input type="checkbox"/> | <input type="checkbox"/> | <input type="checkbox"/> | <input type="checkbox"/> | <input type="checkbox"/> | <input type="checkbox"/> | |
| | 19.25" | | | | <input type="checkbox"/> | <input type="checkbox"/> | <input type="checkbox"/> | <input type="checkbox"/> | <input type="checkbox"/> | <input type="checkbox"/> | <input type="checkbox"/> | <input type="checkbox"/> | <input type="checkbox"/> | <input type="checkbox"/> | <input type="checkbox"/> | <input type="checkbox"/> | <input type="checkbox"/> | <input type="checkbox"/> | |
| | 21" | | | | | | | <input type="checkbox"/> | <input type="checkbox"/> | <input type="checkbox"/> | <input type="checkbox"/> | <input type="checkbox"/> | <input type="checkbox"/> | <input type="checkbox"/> | <input type="checkbox"/> | <input type="checkbox"/> | <input type="checkbox"/> | <input type="checkbox"/> | <input type="checkbox"/> |

HCPCS codes provided are based on code verification by the PDAC or our interpretation of the code definitions.

Proper use of HCPCS codes does not ensure coverage or payment. For coverage information, verify the appropriate payer's coverage policy.

DCN0903.1 Pricing and specifications subject to change without notice.

Star Standard Air Cushions

Star Standard Air Cushion (2" Tall Cells) and Extra Standard / Incontinent Cover

| | | Width | | | | | | | | | | | | | | | | | |
|--------|----------|--------------------------|--------------------------|--------------------------|--------------------------|--------------------------|--------------------------|--------------------------|--------------------------|--------------------------|--------------------------|--------------------------|--------------------------|--------------------------|--------------------------|--------------------------|--------------------------|--------------------------|--|
| | | 13.5" | | | 15.5" | | | 17.25" | | | 19.25" | | | 21" | | | 22.75" | | |
| | | Cushion | Cover | | Cushion | Cover | | Cushion | Cover | | Cushion | Cover | | Cushion | Cover | | Cushion | Cover | |
| | Standard | Incontinent | Standard | Incontinent | Standard | Incontinent | Standard | Incontinent | Standard | Incontinent | Standard | Incontinent | Standard | Incontinent | Standard | Incontinent | Standard | Incontinent | |
| Retail | \$475 | \$69 | \$80 | \$475 | \$69 | \$80 | \$475 | \$69 | \$80 | \$475 | \$69 | \$80 | \$475 | \$69 | \$80 | \$580 | \$91 | \$103 | |
| HCPCS | E2622 | | | E2622 | | | E2622 | | | E2622 | | | E2622 | | | E2623 | | | |
| Height | 13.5" | <input type="checkbox"/> | <input type="checkbox"/> | <input type="checkbox"/> | | | | | | | | | | | | | | | |
| | 15.5" | <input type="checkbox"/> | <input type="checkbox"/> | <input type="checkbox"/> | <input type="checkbox"/> | <input type="checkbox"/> | <input type="checkbox"/> | <input type="checkbox"/> | <input type="checkbox"/> | <input type="checkbox"/> | <input type="checkbox"/> | <input type="checkbox"/> | <input type="checkbox"/> | <input type="checkbox"/> | <input type="checkbox"/> | | | | |
| | 17.25" | | | | <input type="checkbox"/> | <input type="checkbox"/> | <input type="checkbox"/> | <input type="checkbox"/> | <input type="checkbox"/> | <input type="checkbox"/> | <input type="checkbox"/> | <input type="checkbox"/> | <input type="checkbox"/> | <input type="checkbox"/> | <input type="checkbox"/> | <input type="checkbox"/> | <input type="checkbox"/> | <input type="checkbox"/> | |
| | 19.25" | | | | <input type="checkbox"/> | <input type="checkbox"/> | <input type="checkbox"/> | <input type="checkbox"/> | <input type="checkbox"/> | <input type="checkbox"/> | <input type="checkbox"/> | <input type="checkbox"/> | <input type="checkbox"/> | <input type="checkbox"/> | <input type="checkbox"/> | | | | |
| | 21" | | | | | | | <input type="checkbox"/> | <input type="checkbox"/> | <input type="checkbox"/> | <input type="checkbox"/> | <input type="checkbox"/> | <input type="checkbox"/> | <input type="checkbox"/> | <input type="checkbox"/> | | | | |

Star Standard Air Cushion (3" Tall Cells) and Extra Standard / Incontinent Cover

| | | Width | | | | | | | | | | | | | | |
|--------|----------|--------------------------|--------------------------|--------------------------|--------------------------|--------------------------|--------------------------|--------------------------|--------------------------|--------------------------|--------------------------|--------------------------|--------------------------|--------------------------|--------------------------|--|
| | | 13.5" | | | 15.5" | | | 17.25" | | | 19.25" | | | 21" | | |
| | | Cushion | Cover | | Cushion | Cover | | Cushion | Cover | | Cushion | Cover | | Cushion | Cover | |
| | Standard | Incontinent | Standard | Incontinent | Standard | Incontinent | Standard | Incontinent | Standard | Incontinent | Standard | Incontinent | Standard | Incontinent | | |
| Retail | \$475 | \$69 | \$80 | \$475 | \$69 | \$80 | \$475 | \$69 | \$80 | \$475 | \$69 | \$80 | \$475 | \$69 | \$80 | |
| HCPCS | E2622 | | | E2622 | | | E2622 | | | E2622 | | | E2622 | | | |
| Height | 13.5" | | | | | | | | | | | | | | | |
| | 15.5" | <input type="checkbox"/> | <input type="checkbox"/> | <input type="checkbox"/> | <input type="checkbox"/> | <input type="checkbox"/> | <input type="checkbox"/> | <input type="checkbox"/> | <input type="checkbox"/> | <input type="checkbox"/> | <input type="checkbox"/> | <input type="checkbox"/> | <input type="checkbox"/> | <input type="checkbox"/> | <input type="checkbox"/> | |
| | 17.25" | | | | <input type="checkbox"/> | <input type="checkbox"/> | <input type="checkbox"/> | <input type="checkbox"/> | <input type="checkbox"/> | <input type="checkbox"/> | <input type="checkbox"/> | <input type="checkbox"/> | <input type="checkbox"/> | <input type="checkbox"/> | <input type="checkbox"/> | |
| | 19.25" | | | | <input type="checkbox"/> | <input type="checkbox"/> | <input type="checkbox"/> | <input type="checkbox"/> | <input type="checkbox"/> | <input type="checkbox"/> | <input type="checkbox"/> | <input type="checkbox"/> | <input type="checkbox"/> | <input type="checkbox"/> | <input type="checkbox"/> | |
| | 21" | | | | | | | <input type="checkbox"/> | <input type="checkbox"/> | <input type="checkbox"/> | <input type="checkbox"/> | <input type="checkbox"/> | <input type="checkbox"/> | <input type="checkbox"/> | <input type="checkbox"/> | |

Star Standard Air Cushion (4" Tall Cells) and Extra Standard / Incontinent Cover

| | | Width | | | | | | | | | | | | | | | | | |
|--------|----------|--------------------------|--------------------------|--------------------------|--------------------------|--------------------------|--------------------------|--------------------------|--------------------------|--------------------------|--------------------------|--------------------------|--------------------------|--------------------------|--------------------------|--------------------------|--------------------------|--------------------------|--|
| | | 13.5" | | | 15.5" | | | 17.25" | | | 19.25" | | | 21" | | | 22.75" | | |
| | | Cushion | Cover | | Cushion | Cover | | Cushion | Cover | | Cushion | Cover | | Cushion | Cover | | Cushion | Cover | |
| | Standard | Incontinent | Standard | Incontinent | Standard | Incontinent | Standard | Incontinent | Standard | Incontinent | Standard | Incontinent | Standard | Incontinent | Standard | Incontinent | Standard | Incontinent | |
| Retail | \$475 | \$69 | \$80 | \$475 | \$69 | \$80 | \$475 | \$69 | \$80 | \$475 | \$69 | \$80 | \$475 | \$69 | \$80 | \$580 | \$91 | \$103 | |
| HCPCS | E2622 | | | E2622 | | | E2622 | | | E2622 | | | E2622 | | | E2622 | | | |
| Height | 13.5" | <input type="checkbox"/> | <input type="checkbox"/> | <input type="checkbox"/> | <input type="checkbox"/> | <input type="checkbox"/> | <input type="checkbox"/> | <input type="checkbox"/> | <input type="checkbox"/> | | | | | | | | | | |
| | 15.5" | <input type="checkbox"/> | <input type="checkbox"/> | <input type="checkbox"/> | <input type="checkbox"/> | <input type="checkbox"/> | <input type="checkbox"/> | <input type="checkbox"/> | <input type="checkbox"/> | <input type="checkbox"/> | <input type="checkbox"/> | <input type="checkbox"/> | <input type="checkbox"/> | <input type="checkbox"/> | | | | | |
| | 17.25" | | | | <input type="checkbox"/> | <input type="checkbox"/> | <input type="checkbox"/> | <input type="checkbox"/> | <input type="checkbox"/> | <input type="checkbox"/> | <input type="checkbox"/> | <input type="checkbox"/> | <input type="checkbox"/> | <input type="checkbox"/> | <input type="checkbox"/> | <input type="checkbox"/> | <input type="checkbox"/> | <input type="checkbox"/> | |
| | 19.25" | | | | <input type="checkbox"/> | <input type="checkbox"/> | <input type="checkbox"/> | <input type="checkbox"/> | <input type="checkbox"/> | <input type="checkbox"/> | <input type="checkbox"/> | <input type="checkbox"/> | <input type="checkbox"/> | <input type="checkbox"/> | <input type="checkbox"/> | <input type="checkbox"/> | <input type="checkbox"/> | <input type="checkbox"/> | |
| | 21" | | | | | | | <input type="checkbox"/> | <input type="checkbox"/> | <input type="checkbox"/> | <input type="checkbox"/> | <input type="checkbox"/> | <input type="checkbox"/> | <input type="checkbox"/> | <input type="checkbox"/> | <input type="checkbox"/> | <input type="checkbox"/> | <input type="checkbox"/> | |

Star Standard Air Cushions Dual Valve

Star Standard Air Cushion Dual Valve (4" Tall Cells) and Extra Standard / Incontinent Cover

| | | Width | | | | | | | | | | | | | | |
|----------|-------------|--------------------------|--------------------------|--------------------------|--------------------------|--------------------------|--------------------------|--------------------------|--------------------------|--------------------------|--------------------------|--------------------------|--------------------------|--------------------------|--------------------------|--------------------------|
| | | 13.5" | | | 15.5" | | | 17.25" | | | 19.25" | | | 21" | | |
| | | Cushion | Cover | | Cushion | Cover | | Cushion | Cover | | Cushion | Cover | | Cushion | Cover | |
| Standard | Incontinent | | Standard | Incontinent | | Standard | Incontinent | | Standard | Incontinent | | Standard | Incontinent | | | |
| Retail | | \$475 | \$69 | \$80 | \$475 | \$69 | \$80 | \$475 | \$69 | \$80 | \$475 | \$69 | \$80 | \$475 | \$69 | \$80 |
| HCPCS | | E2622 | | | E2622 | | | E2622 | | | E2622 | | | E2622 | | |
| Height | 13.5" | <input type="checkbox"/> | <input type="checkbox"/> | <input type="checkbox"/> | | | | | | | | | | | | |
| | 15.5" | <input type="checkbox"/> | <input type="checkbox"/> | <input type="checkbox"/> | <input type="checkbox"/> | <input type="checkbox"/> | <input type="checkbox"/> | <input type="checkbox"/> | <input type="checkbox"/> | <input type="checkbox"/> | <input type="checkbox"/> | <input type="checkbox"/> | | | | |
| | 17.25" | | | | <input type="checkbox"/> | <input type="checkbox"/> | <input type="checkbox"/> | <input type="checkbox"/> | <input type="checkbox"/> | <input type="checkbox"/> | <input type="checkbox"/> | <input type="checkbox"/> | <input type="checkbox"/> | <input type="checkbox"/> | <input type="checkbox"/> | <input type="checkbox"/> |
| | 19.25" | | | | | | | <input type="checkbox"/> | <input type="checkbox"/> | <input type="checkbox"/> | <input type="checkbox"/> | <input type="checkbox"/> | <input type="checkbox"/> | | | |
| | 21" | | | | | | | | | | <input type="checkbox"/> | <input type="checkbox"/> | <input type="checkbox"/> | <input type="checkbox"/> | <input type="checkbox"/> | <input type="checkbox"/> |

| Axiom Back Width | Fits Back Frame Widths | |
|------------------|-----------------------------|-----------------------------|
| | Inner Slots | Outer Slots |
| 12" (30.5cm) | 11" (28.0cm) | 12" -14" (30.5cm -35.5cm) |
| 14" (35.5cm) | 12" -13" (30.5cm -33.0cm) | 14" -16" (35.5cm -40.5cm) |
| 16" (40.5cm) | 14" -15" (35.5cm -38.0cm) | 16" -18" (40.5cm -45.5cm) |
| 18" (45.5cm) | 16" - 17" (40.5cm - 43.0cm) | 18" - 20" (45.5cm - 50.5cm) |
| 20" (51.0cm) | 18" -19" (46.0cm -48.5cm) | 20" -22" (50.5cm -55.5cm) |
| 22" (56.0cm) | 20" -21" (51.0cm -53.5cm) | 22" -24" (56.0cm -61.0cm) |



| Hardware Description | Code |
|--|------------|
| Improved DEX Hardware, removable adjustable hardware (300 lb max user weight) | DEX |
| New BTX Hardware, removable adjustable hardware not recommended for, or installed on Ultralight Rigid Frame Wheelchairs (400 lb max user weight) | BTX |
| New Fixed Hardware, non-removeable hardware up to (300 lb max user weight) | FXT |

Axiom Back

Hardware is included with back. Low Back selections are not available with headrests, modifications, or posture supports. Weight capacity: 300 lbs.

Axiom Posterior Back (PB)

Includes Lumbar Pad

| | | Width | | | | | | |
|--------|-----|-------|-----------------------------------|-----------------------------------|-----------------------------------|-----------------------------------|-----------------------------------|-----------------------------------|
| | | 12" | 14" | 16" | 18" | 20" | 22" | |
| Retail | | \$610 | \$610 | \$610 | \$610 | \$610 | \$918 | |
| HCPC | | E2613 | E2613 | E2613 | E2613 | E2613 | E2614 | |
| Height | Low | 8" | <input type="checkbox"/> AXPB1208 | <input type="checkbox"/> AXPB1408 | <input type="checkbox"/> AXPB1608 | <input type="checkbox"/> AXPB1808 | <input type="checkbox"/> AXPB2008 | |
| | | 10" | | <input type="checkbox"/> AXPB1410 | <input type="checkbox"/> AXPB1610 | <input type="checkbox"/> AXPB1810 | <input type="checkbox"/> AXPB2010 | <input type="checkbox"/> AXPB2210 |
| | | 12" | <input type="checkbox"/> AXPB1212 | <input type="checkbox"/> AXPB1412 | <input type="checkbox"/> AXPB1612 | <input type="checkbox"/> AXPB1812 | <input type="checkbox"/> AXPB2012 | |
| | Mid | 14" | | <input type="checkbox"/> AXPB1414 | <input type="checkbox"/> AXPB1614 | <input type="checkbox"/> AXPB1814 | <input type="checkbox"/> AXPB2014 | <input type="checkbox"/> AXPB2214 |
| | | 16" | <input type="checkbox"/> AXPB1216 | <input type="checkbox"/> AXPB1416 | <input type="checkbox"/> AXPB1616 | <input type="checkbox"/> AXPB1816 | <input type="checkbox"/> AXPB2016 | |
| | | 18" | | <input type="checkbox"/> AXPB1418 | <input type="checkbox"/> AXPB1618 | <input type="checkbox"/> AXPB1818 | <input type="checkbox"/> AXPB2018 | <input type="checkbox"/> AXPB2218 |

Back Hardware

DEX Hardware BTX Hardware FXT Hardware _____ N/C _____

HCPCS codes provided are based on code verification by the PDAC or our interpretation of the code definitions.

Proper use of HCPCS codes does not ensure coverage or payment. For coverage information, verify the appropriate payer's coverage policy.

DCN0473.9 Pricing and specifications subject to change without notice.

Lateral Support for AXPB Backs

| Pair | Description | Item Code | HCPC | Pair |
|--------------------------|--|-----------|--------------|-------|
| <input type="checkbox"/> | 3 x 4 Lateral Pads with Fixed Mounting Hardware - Pair (E0956) | PBLF3x4PP | E0956 | \$305 |
| <input type="checkbox"/> | 4 x 5 Lateral Pads with Fixed Mounting Hardware - Pair (E0956) | PBLF4x5PP | E0956 | \$305 |
| <input type="checkbox"/> | 3 x 4 Lateral Pads with Swing Away Mounting Hardware - Pair (E0956,E1028) | PBLS3X4PP | E0956, E1028 | \$650 |
| <input type="checkbox"/> | 4 x 5 Lateral Pads with Swing Away Mounting Hardware - Pair (E0956,E1028) | PBLS4X5PP | E0956, E1028 | \$650 |
| <input type="checkbox"/> | 3 x 4 Lateral Pads with Adjustable Swing Away Mounting Hardware - Pair (E0956,E1028) | PBLA3X4PP | E0956, E1028 | \$790 |
| <input type="checkbox"/> | 4 x 5 Lateral Pads with Adjustable Swing Away Mounting Hardware - Pair (E0956,E1028) | PBLA3X4PP | E0956, E1028 | \$790 |

Axiom Posterior Lateral Back (PL)

Includes Lumbar Pad

| | | Width | | | | | | |
|--------|------|-------|-----------------------------------|-----------------------------------|-----------------------------------|-----------------------------------|-----------------------------------|-----------------------------------|
| | | 12" | 14" | 16" | 18" | 20" | 22" | |
| Retail | | \$704 | \$704 | \$704 | \$704 | \$704 | \$978 | |
| HCPC | | E2615 | E2615 | E2615 | E2615 | E2615 | E2616 | |
| Height | Low | 8" | <input type="checkbox"/> AXPL1208 | <input type="checkbox"/> AXPL1408 | <input type="checkbox"/> AXPL1608 | <input type="checkbox"/> AXPL1808 | <input type="checkbox"/> AXPL2008 | |
| | | 10" | | <input type="checkbox"/> AXPL1410 | <input type="checkbox"/> AXPL1610 | <input type="checkbox"/> AXPL1810 | <input type="checkbox"/> AXPL2010 | <input type="checkbox"/> AXPL2210 |
| | | 12" | <input type="checkbox"/> AXPL1212 | <input type="checkbox"/> AXPL1412 | <input type="checkbox"/> AXPL1612 | <input type="checkbox"/> AXPL1812 | <input type="checkbox"/> AXPL2012 | |
| | Mid | 14" | | <input type="checkbox"/> AXPL1414 | <input type="checkbox"/> AXPL1614 | <input type="checkbox"/> AXPL1814 | <input type="checkbox"/> AXPL2014 | <input type="checkbox"/> AXPL2214 |
| | | 16" | <input type="checkbox"/> AXPL1216 | <input type="checkbox"/> AXPL1416 | <input type="checkbox"/> AXPL1616 | <input type="checkbox"/> AXPL1816 | <input type="checkbox"/> AXPL2016 | |
| | | 18" | | <input type="checkbox"/> AXPL1418 | <input type="checkbox"/> AXPL1618 | <input type="checkbox"/> AXPL1818 | <input type="checkbox"/> AXPL2018 | <input type="checkbox"/> AXPL2218 |
| | Tall | 20" | <input type="checkbox"/> AXPL1220 | <input type="checkbox"/> AXPL1420 | <input type="checkbox"/> AXPL1620 | <input type="checkbox"/> AXPL1820 | <input type="checkbox"/> AXPL2020 | |
| | | 22" | | <input type="checkbox"/> AXPL1422 | <input type="checkbox"/> AXPL1622 | <input type="checkbox"/> AXPL1822 | <input type="checkbox"/> AXPL2022 | <input type="checkbox"/> AXPL2222 |

Back Hardware

DEX Hardware BTX Hardware FXT Hardware _____ N/C _____

Axiom Lateral Back (LB)

Does not include Lumbar Pad

| | | Width | | | | | | |
|--------|------|-------|-----------------------------------|-----------------------------------|-----------------------------------|-----------------------------------|-----------------------------------|-----------------------------------|
| | | 12" | 14" | 16" | 18" | 20" | 22" | |
| Retail | | \$851 | \$851 | \$851 | \$851 | \$851 | \$989 | |
| HCPC | | E2620 | E2620 | E2620 | E2620 | E2620 | E2621 | |
| Height | Low | 8" | <input type="checkbox"/> AXLB1208 | <input type="checkbox"/> AXLB1408 | <input type="checkbox"/> AXLB1608 | <input type="checkbox"/> AXLB1808 | <input type="checkbox"/> AXLB2008 | |
| | | 10" | | <input type="checkbox"/> AXLB1410 | <input type="checkbox"/> AXLB1610 | <input type="checkbox"/> AXLB1810 | <input type="checkbox"/> AXLB2010 | <input type="checkbox"/> AXLB2210 |
| | | 12" | <input type="checkbox"/> AXLB1212 | <input type="checkbox"/> AXLB1412 | <input type="checkbox"/> AXLB1612 | <input type="checkbox"/> AXLB1812 | <input type="checkbox"/> AXLB2012 | |
| | Mid | 14" | | <input type="checkbox"/> AXLB1414 | <input type="checkbox"/> AXLB1614 | <input type="checkbox"/> AXLB1814 | <input type="checkbox"/> AXLB2014 | <input type="checkbox"/> AXLB2214 |
| | | 16" | <input type="checkbox"/> AXLB1216 | <input type="checkbox"/> AXLB1416 | <input type="checkbox"/> AXLB1616 | <input type="checkbox"/> AXLB1816 | <input type="checkbox"/> AXLB2016 | |
| | | 18" | | <input type="checkbox"/> AXLB1418 | <input type="checkbox"/> AXLB1618 | <input type="checkbox"/> AXLB1818 | <input type="checkbox"/> AXLB2018 | <input type="checkbox"/> AXLB2218 |
| | Tall | 20" | <input type="checkbox"/> AXLB1220 | <input type="checkbox"/> AXLB1420 | <input type="checkbox"/> AXLB1620 | <input type="checkbox"/> AXLB1820 | <input type="checkbox"/> AXLB2020 | |
| | | 22" | | <input type="checkbox"/> AXLB1422 | <input type="checkbox"/> AXLB1622 | <input type="checkbox"/> AXLB1822 | <input type="checkbox"/> AXLB2022 | <input type="checkbox"/> AXLB2222 |

Back Hardware

DEX Hardware BTX Hardware FXT Hardware _____ N/C _____

Lateral Support for AXPL & AXLB Backs

| Pair | Description | Item Code | HCPC | Pair |
|--------------------------|--|------------|--------------|-------|
| <input type="checkbox"/> | 3 x 4 Lateral Pads with Fixed Mounting Hardware - Pair (E0956) | PLLF3x4PP | E0956 | \$305 |
| <input type="checkbox"/> | 4 x 5 Lateral Pads with Fixed Mounting Hardware - Pair (E0956) | PLLF4x5PP | E0956 | \$305 |
| <input type="checkbox"/> | 3 x 4 Lateral Pads with Swing Away Mounting Hardware - Pair (E0956,E1028) | PLLS3x4PP | E0956, E1028 | \$650 |
| <input type="checkbox"/> | 4 x 5 Lateral Pads with Swing Away Mounting Hardware - Pair (E0956,E1028) | PLLS4x5PP | E0956, E1028 | \$650 |
| <input type="checkbox"/> | 3 x 4 Lateral Pads with Adjustable Swing Away Mounting Hardware - Pair (E0956,E1028) | PLLAS3x4PP | E0956, E1028 | \$790 |
| <input type="checkbox"/> | 4 x 5 Lateral Pads with Adjustable Swing Away Mounting Hardware - Pair (E0956,E1028) | PLLAS4x5PP | E0956, E1028 | \$790 |

Axiom Deep Lateral Back (DL)

Does not include Lumbar Pad

| | | Width | | | | | | |
|--------|--------|-------|-----------------------------------|-----------------------------------|-----------------------------------|-----------------------------------|-----------------------------------|-----------------------------------|
| | | 12" | 14" | 16" | 18" | 20" | 22" | |
| Height | Retail | \$851 | \$851 | \$851 | \$851 | \$851 | \$989 | |
| | Mid | 14" | <input type="checkbox"/> AXDL1214 | <input type="checkbox"/> AXDL1414 | <input type="checkbox"/> AXDL1614 | <input type="checkbox"/> AXDL1814 | <input type="checkbox"/> AXDL2014 | <input type="checkbox"/> AXDL2214 |
| | | 16" | | <input type="checkbox"/> AXDL1416 | <input type="checkbox"/> AXDL1616 | <input type="checkbox"/> AXDL1816 | <input type="checkbox"/> AXDL2016 | |
| | | 18" | <input type="checkbox"/> AXDL1218 | <input type="checkbox"/> AXDL1418 | <input type="checkbox"/> AXDL1618 | <input type="checkbox"/> AXDL1818 | <input type="checkbox"/> AXDL2018 | <input type="checkbox"/> AXDL2218 |
| | Tall | 20" | <input type="checkbox"/> AXDL1220 | <input type="checkbox"/> AXDL1420 | <input type="checkbox"/> AXDL1620 | <input type="checkbox"/> AXDL1820 | <input type="checkbox"/> AXDL2020 | |
| | | 22" | | <input type="checkbox"/> AXDL1422 | <input type="checkbox"/> AXDL1622 | <input type="checkbox"/> AXDL1822 | <input type="checkbox"/> AXDL2022 | <input type="checkbox"/> AXDL2222 |

Back Hardware

DEX Hardware BTX Hardware FXT Hardware

N/C

Headrest

| Description | Std. Straight Removable Adjustable Hardware | | Multi-Axis Removable Adjustable Hardware | | Posalinc Removable Adjustable Hardware | | HCPCS |
|-------------------------------------|---|--------|--|--------|--|--------|---------------|
| | Item Code | Retail | Item Code | Retail | Item Code | Retail | |
| Comfort Soft Headrest 8" | <input type="checkbox"/> CS08SS | \$339 | <input type="checkbox"/> CS08MA | \$360 | <input type="checkbox"/> CS08PL | \$506 | E0955 / E1028 |
| Comfort Soft Headrest 10" | <input type="checkbox"/> CS10SS | \$339 | <input type="checkbox"/> CS10MA | \$360 | <input type="checkbox"/> CS10PL | \$506 | E0955 / E1028 |
| Comfort Soft Headrest 14" | <input type="checkbox"/> CS14SS | \$339 | <input type="checkbox"/> CS14MA | \$360 | <input type="checkbox"/> CS14PL | \$506 | E0955 / E1028 |
| Contour Positioning Pad, 8" X 6.25" | <input type="checkbox"/> CP08SS | \$339 | <input type="checkbox"/> CP08MA | \$360 | <input type="checkbox"/> CP08PL | \$506 | E0955 / E1028 |
| Contour Positioning Pad, 9" X 6.5" | <input type="checkbox"/> CP09SS | \$339 | <input type="checkbox"/> CP09MA | \$360 | <input type="checkbox"/> CP09PL | \$506 | E0955 / E1028 |
| Contour Positioning Pad, 10" X 7.5" | <input type="checkbox"/> CP10SS | \$339 | <input type="checkbox"/> CP10MA | \$360 | <input type="checkbox"/> CP10PL | \$506 | E0955 / E1028 |
| Tri-soft Headrest 10" | <input type="checkbox"/> TS10SS | \$339 | <input type="checkbox"/> TS10MA | \$360 | <input type="checkbox"/> TS10PL | \$506 | E0955 / E1028 |
| Tri-soft Headrest 14" | <input type="checkbox"/> TS14SS | \$339 | <input type="checkbox"/> TS14MA | \$360 | <input type="checkbox"/> TS14PL | \$506 | E0955 / E1028 |

| Description | Item Code | Retail | HCPCS |
|-----------------------------------|------------------------------|--------|-------|
| Universal Headrest Mounting Plate | <input type="checkbox"/> UMP | \$50 | K0108 |

Not required for Axiom Headrests

Anterior Thoracic Supports

Selection of a modification from the Axiom Back Modifications section required in order to mount posture supports. Not available with Low Backs.

| Anterior Thoracic Supports | | |
|--|--------------------------------|----------|
| Description | Item Code | Retail |
| Dynaform Chest Support: 2-Piece with Hook&Loop, 3" High Pad, Small | <input type="checkbox"/> 14941 | \$121 |
| Dynaform Chest Support: 2-Piece with Hook&Loop, 4" High Pad, Medium | <input type="checkbox"/> 14942 | \$121 |
| Dynaform Chest Support: 2-Piece with Hook&Loop, 5" High Pad, Large | <input type="checkbox"/> 14943 | \$121 |
| Dynaform Chest Support: 1-Piece with Buckle, 3" Height x 20" Width, Small | <input type="checkbox"/> 14924 | \$100 |
| Dynaform Chest Support: 1-Piece with Buckle, 4" Height x 20" Width, Medium | <input type="checkbox"/> 14927 | \$100 |
| Dynaform Chest Support: 1-Piece with Buckle, 4" Height x 22" Width, Large | <input type="checkbox"/> 14928 | \$100 |
| Dynaform Anterior Trunk Support: Standard, Dynamic, X-Small | <input type="checkbox"/> 14851 | \$107.80 |
| Dynaform Anterior Trunk Support: Standard, Dynamic, Small | <input type="checkbox"/> 14852 | \$107.80 |
| Dynaform Anterior Trunk Support: Standard, Dynamic, Medium | <input type="checkbox"/> 14853 | \$107.80 |
| Dynaform Anterior Trunk Support: Standard, Dynamic, Large | <input type="checkbox"/> 14854 | \$107.80 |
| Dynaform Anterior Trunk Support: Slim Cut, Dynamic, X-Small | <input type="checkbox"/> 14856 | \$107.80 |
| Dynaform Anterior Trunk Support: Slim Cut, Dynamic, Small | <input type="checkbox"/> 14857 | \$107.80 |
| Dynaform Anterior Trunk Support: Slim Cut, Dynamic, Medium | <input type="checkbox"/> 14858 | \$107.80 |
| Dynaform Anterior Trunk Support: Slim Cut, Dynamic, Large | <input type="checkbox"/> 14859 | \$107.80 |
| AirLogic Anterior Trunk Support: Standard, Structure, Small | <input type="checkbox"/> 14282 | \$164.17 |
| AirLogic Anterior Trunk Support: Standard, Structure, Medium | <input type="checkbox"/> 14283 | \$164.17 |
| AirLogic Anterior Trunk Support: Standard, Structure, Large | <input type="checkbox"/> 14284 | \$164.17 |
| AirLogic Anterior Trunk Support: Standard, Structure, X-Large | <input type="checkbox"/> 14285 | \$164.17 |
| AirLogic Anterior Trunk Support: Slim Cut, Dynamic, Small | <input type="checkbox"/> 14257 | \$164.17 |
| AirLogic Anterior Trunk Support: Slim Cut, Dynamic, Medium | <input type="checkbox"/> 14258 | \$164.17 |
| AirLogic Anterior Trunk Support: Slim Cut, Dynamic, Large | <input type="checkbox"/> 14259 | \$164.17 |
| AirLogic Anterior Trunk Support: Slim Cut, Dynamic, X-Large | <input type="checkbox"/> 14260 | \$164.17 |

Accessories

- Adjustable Shoulder Guides (K0108) \$95
Includes Anterior Thoracic Mounting Modification. Not available with Low Backs.
- Extra Lumbar Pad (K0108) \$50
Available only with Axiom Lateral Back and Axiom Deep Lateral back
- Privacy Flap (K0108) \$50

Axiom Back Modifications

Axiom Back Modifications

Extended lead times will apply for all modifications. Makes back non-refundable.

- Anterior Thoracic Mounting Modification N/C
Provides holes for Anterior Thoracic Supports and Shoulder Guides

Gloss Finish

If no selection is made, standard Shadow Black will be used with no additional lead time

- | | |
|---|-----|
| <input type="checkbox"/> Black Back Shell | N/C |
| <input type="checkbox"/> Blue Skies Back Shell | N/C |
| <input type="checkbox"/> Bubblegum Pink Back Shell | N/C |
| <input type="checkbox"/> Candy Blue Back Shell | N/C |
| <input type="checkbox"/> Candy Purple Back Shell | N/C |
| <input type="checkbox"/> Candy Red Back Shell | N/C |
| <input type="checkbox"/> Copper Back Shell | N/C |
| <input type="checkbox"/> Granny Smith Back Shell | N/C |
| <input type="checkbox"/> Metallic Orange Back Shell | N/C |
| <input type="checkbox"/> Yellow Back Shell | N/C |
| <input type="checkbox"/> Silver Back Shell | N/C |
| <input type="checkbox"/> Teal Back Shell | N/C |

Matte Finish

If no selection is made, standard Shadow Black will be used with no additional lead time

- | | |
|---|-----|
| <input type="checkbox"/> Military Green Back Shell | N/C |
| <input type="checkbox"/> Charcoal Gray Back Shell | N/C |
| <input type="checkbox"/> Emerald Green Back Shell | N/C |
| <input type="checkbox"/> Iridescent Burgundy Back Shell | N/C |
| <input type="checkbox"/> Iridescent Navy Back Shell | N/C |
| <input type="checkbox"/> Retro Red Back Shell | N/C |
| <input type="checkbox"/> Royal Blue Back Shell | N/C |
| <input type="checkbox"/> Smooth White Back Shell | N/C |