



Krabat Jockey



Krabat Jockey Plus



Krabat Jockey Desk

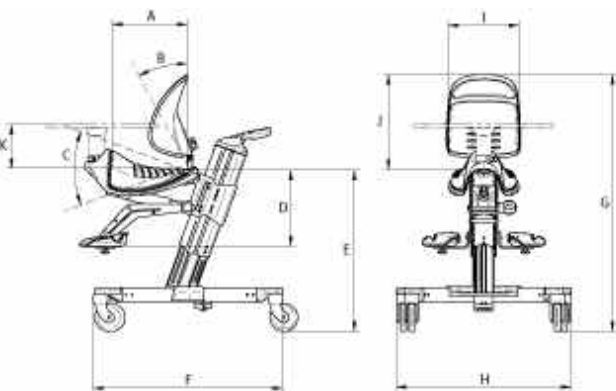
Krabat Jockey



The Krabat Jockey is an active chair with saddle seat for children aged 2-14 years. The chair is suitable for children with a variety of diagnoses and is available in two sizes. The height adjustment is either operated with a remote control on the electric undercarriage or by pressing a button integrated in the handle on the manual undercarriage. The design of the saddle seat gives the child a more upright position ideal for use in kindergarten and school.

Physiological benefits of using a saddle seat:

By opening the angle of the hips, the pelvis neutrally positioned. With the pelvis neutral the natural S-curve of the spine can be maintained over time. All major joints in the lower extremities become centered, which promotes normal muscle tone and muscle length. The hip joint is in its resting position in which the femoral head is positioned inside the hip socket. The sitting position in the saddle seat can prevent complications such as muscle contractures, hip pain and subluxations. The saddle seat enhances an active, upright seating position rather than a passive, slumped one.

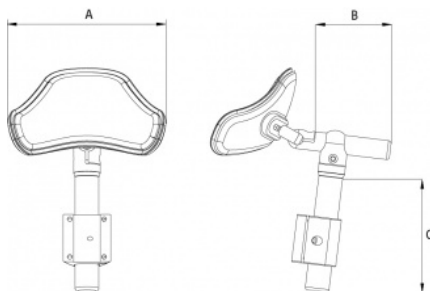
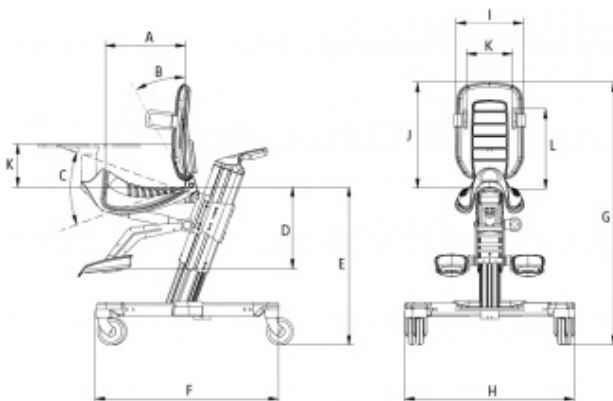


| | Size 1 | Size 2 |
|---------------------------------------|-----------------|-----------------|
| Age Range (approx) | 2-6 yrs | 6-14 yrs |
| A Seat Depth Max. | 11 in. | 13 in. |
| B Backrest Angle | 90° | 90° |
| C Tilt | -20° to +20° | -20 to +20° |
| D Distance Seat to Footrest | 6 - 16 in. | 10 - 20 in. |
| E Height of Seat | 15 - 31 in. | 15- 31 in. |
| F Total Length In Use / Folded | 27 in. / 26 in. | 39 in / 33 in. |
| G Total Height In Use / Folded | 44 in. / 25 in. | 48 in / 28 in. |
| H Total Width In Use / Folded | 25 in. / 25 in. | 26 in. / 26 in. |
| I Width of Backrest | 10 in. | 13 in. |
| J Height of Backrest | 14 - 15 in. | 16 - 17 in. |
| Chair Weight Manual / Electric | 27 lbs / 31 lbs | 33 lbs / 37 lbs |
| Max User Weight Manual Base | 143 lbs | 143 lbs |
| Max User Weight Electric Base | 110 lbs | 110 lbs |

Krabat Jockey Plus



The Krabat Jockey Plus is an active chair with a saddle seat that offers more support and a higher level of comfort than the other Jockey chairs. The Plus backrest supports the upper body with adjustable side supports, head support and the use of different harnesses. The chair is suitable for children with a variety of diagnoses aged 2-14 years and is available in two sizes. The design of the saddle seat gives the child a more upright position ideal for use in kindergarten and school.

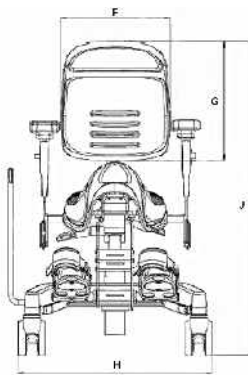
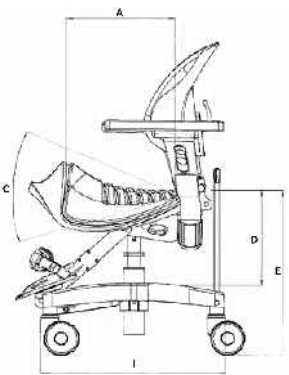


| | Size 1 | Size 2 |
|---------------------------------------|-------------------|-----------------|
| Age Range (approx) | 2-6 yrs | 6-14 yrs |
| A Seat Depth Max. | 10 in. | 13 in. |
| B Backrest Angle | 90° | 90° |
| C Tilt | -20° to +20° | -20 to +20° |
| D Distance Seat to Footrest | 6 - 16 in. | 10 - 20 in. |
| E Height of Seat | 15 - 31 in. | 15- 31 in. |
| F Total Length In Use / Folded | 27 in. / 26 in. | 39 in / 33 in. |
| G Total Height In Use / Folded | 44 in. / 25 in. | 48 in / 28 in. |
| H Total Width In Use / Folded | 25 in. / 25 in. | 26 in. / 26 in. |
| I Width of Backrest | 10 in. | 13 in. |
| J Height of Backrest | 14 - 15 in. | 16 - 17 in. |
| K Width of Side Supports | 6 - 8 in. | 8 - 10 in. |
| L Height of Side Supports | 6 - 12 in. | 9 - 15 in. |
| Chair Weight Manual / Electric | 27 / 31 lbs | 35 / 39 lbs |
| Maximum User Weight Manual / Electric | 143 lbs / 110 lbs | |
| A Headrest Width | | 5 in. |
| B Depth Adj. Rod Length | | 3 in. |
| C Height Adj. Rod Length | | 5 in. |

Krabat Jockey Desk



The Krabat Jockey Desk is the newest addition to the series of active chairs from Krabat. The compact and modern design of the undercarriage makes it easy to use even where space is limited. The chair is height adjustable and the seat can be tilted. The Jockey Desk comes in two sizes; size 2 for children aged 7-14 years and size 3 for youth aged 14 and up. The design of the saddle seat gives the child a more upright position ideal for use in kindergarten, at school or in the home



| | Size 2 | Size 3 |
|----------------------------------|-------------|-------------|
| A Seat Depth | 13 in. | 16 in. |
| B Seat Width | 12 in. | 14 in. |
| C Tilt | -7° to +25° | -7° to +25° |
| D Seat to Footrest | 13 -19 in. | 13 - 19 in. |
| E Seat Height above floor | 20 - 26 in. | 20 - 26 in. |
| F Width of backrest | 13 in. | 13 in. |
| G Height of backrest | 16 - 18 in. | 16 - 18 in. |
| H Total Width | 22 in. | 22 in. |
| I Total Length | 21 in. | 21 in. |
| J Total Height | 38 - 46 in. | 38 - 46 in. |
| Width between Armrests | 13 - 18 in. | 13 - 18 in. |
| Height of Armrests | 5 - 9 in. | 5 - 9 in. |
| Max User Weight | 220 lbs | 220 lbs |



distributors of

