

## Product Description

Lifting extremely heavy patients demands specially developed assistive devices and methods. Liko has developed the Ultra product series to enable caregivers to lift heavy patients both safely and comfortably.

Ultra Sling supports the entire back right up to the shoulders. Its unique design allows each leg support to be hooked to the slingbar individually, allowing more room for the stomach and optimal support for the legs. Ultra Sling is available in three sizes – short, regular and long – as determined by the length of the leg supports. The choice of size depends on the patient's need for leg support, and the degree of hip and knee flexion.

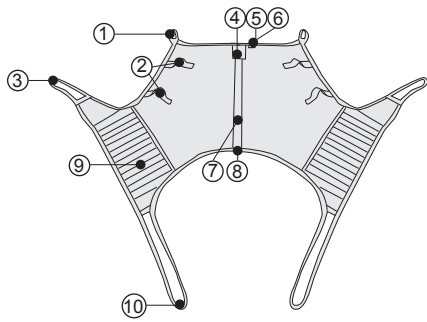
We recommend that at least two caregivers assist during the transfer.

Ultra Sling is used in combination with Liko's UltraTwin lift system. Depending on which individual accessories are used, the system will lift maximum load of 500 kg (1100 lbs.). Versions of the UltraTwin system are available for both permanent installation and for freestanding installation, e.g., on Liko FreeSpan.

**△ "Caution!" triangles are used to warn of situations that demand extra care and attention.**

*In this document, the person being lifted is referred to as the "patient" and the person helping them is referred to as the "caregiver".*





## Applying Ultra Sling in the sitting position:

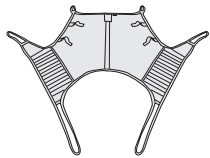
1. Place the sling behind the patient's back, with the label facing outward and upward. With the palm of your hand, guide the lower edge of the sling down to the patient's tailbone.\*
2. Place the leg supports alongside the outside of each thigh, so that the fabric of the lower edge of the sling is fully extended.
3. Push the leg supports under the patient's legs, with the leg support loops placed under the fabric.\* When the leg support fabric reaches the inside of the thighs, pull out the leg support loops. Pull both the inner and outer leg support loops until they have the same length.
4. Connect the strap loops to the slingbar. The upper strap loops are hooked to the wide slingbar and the leg support loops are hooked to the narrower slingbar.
5. Lift the patient.

\* If problems arise during this type of application, it may be necessary to use Lift strap XL to be able to position the sling. Contact Liko for more information.

For application of Ultra Sling in the horizontal position, we recommend Liko's Original Repo Sheet™ to avoid the necessity of log rolling the patient. For more information, see the instruction guide or visit [www.liko.com](http://www.liko.com).

- |                           |                            |
|---------------------------|----------------------------|
| 1. Upper strap loop       | 6. Size                    |
| 2. Handles                | 7. Center back strap       |
| 3. Outer leg support loop | 8. Lower edge              |
| 4. Label                  | 9. Leg support             |
| 5. Serial number          | 10. Inner leg support loop |

## Overview Liko Ultra Sling, Mod. 06



Product	Prod. No.	Size	Material	Max. load
Liko Ultra Sling	3506114	Short	Polyester	500 kg (1100 lbs.)
Liko Ultra Sling	3506115	Regular	Polyester	500 kg (1100 lbs.)
Liko Ultra Sling	3506315	Regular	Net polyester	500 kg (1100 lbs.)
Liko Ultra Sling	3506116	Long	Polyester	500 kg (1100 lbs.)

### Laundering:



Minimal concentration of chlorine bleach when necessary. Oxygen-based bleach preferred. Avoid tumble drying without a mesh bag. Air or cabinet drying preferred.

### Expected Life Time

The product has an expected life time of 1-5 years with normal use. Expected life time varies depending on the fabric, use frequency, washing procedure, and weight carried.

### Periodic Inspection

The product must be inspected at least once every 6 months. More frequent inspections might be required if the product is used or washed more often than normal. See Liko's protocol Periodic Inspection for the respective product.

### Maximum loads

Different maximum allowable loads may apply to different products on the assembled lift system: rail system, lift unit, slingbar, sling and other accessories. For the total lift system, the lowest maximum allowable load indicated for the respective products on the system applies. For Liko Ultra Sling to be able to carry a weight of 500 kg (1100 lbs.), both the lift unit and slingbar must be approved for this maximum load.

**CE** Class I medical-technical product

Liko's products are constantly being updated and refined. Liko reserves the right to change aspects of the products without prior notice. Contact your local Liko representative for updated information and advice.

### △ Important

Lifting and transferring a patient always involves a degree of risk. Study the instruction guides for both lift systems and accessories carefully. A complete understanding of the contents of instructions is essential. Only trained personnel should use the equipment.

Make certain that the lift accessories are appropriate for the lift you are using and for the lifting situation. Exercise caution and care when using lift equipment and accessories.

As a caregiver, you are responsible for the patient's safety. You must be well informed of the patient's condition and ability to manage the lifting situation.

Inspect the sling regularly, especially after laundering. Check carefully for wear and damage to seams, fabric, straps and strap loops. Never use damaged accessories! When in doubt, contact the manufacturer or supplier.



A Hill-Rom Company