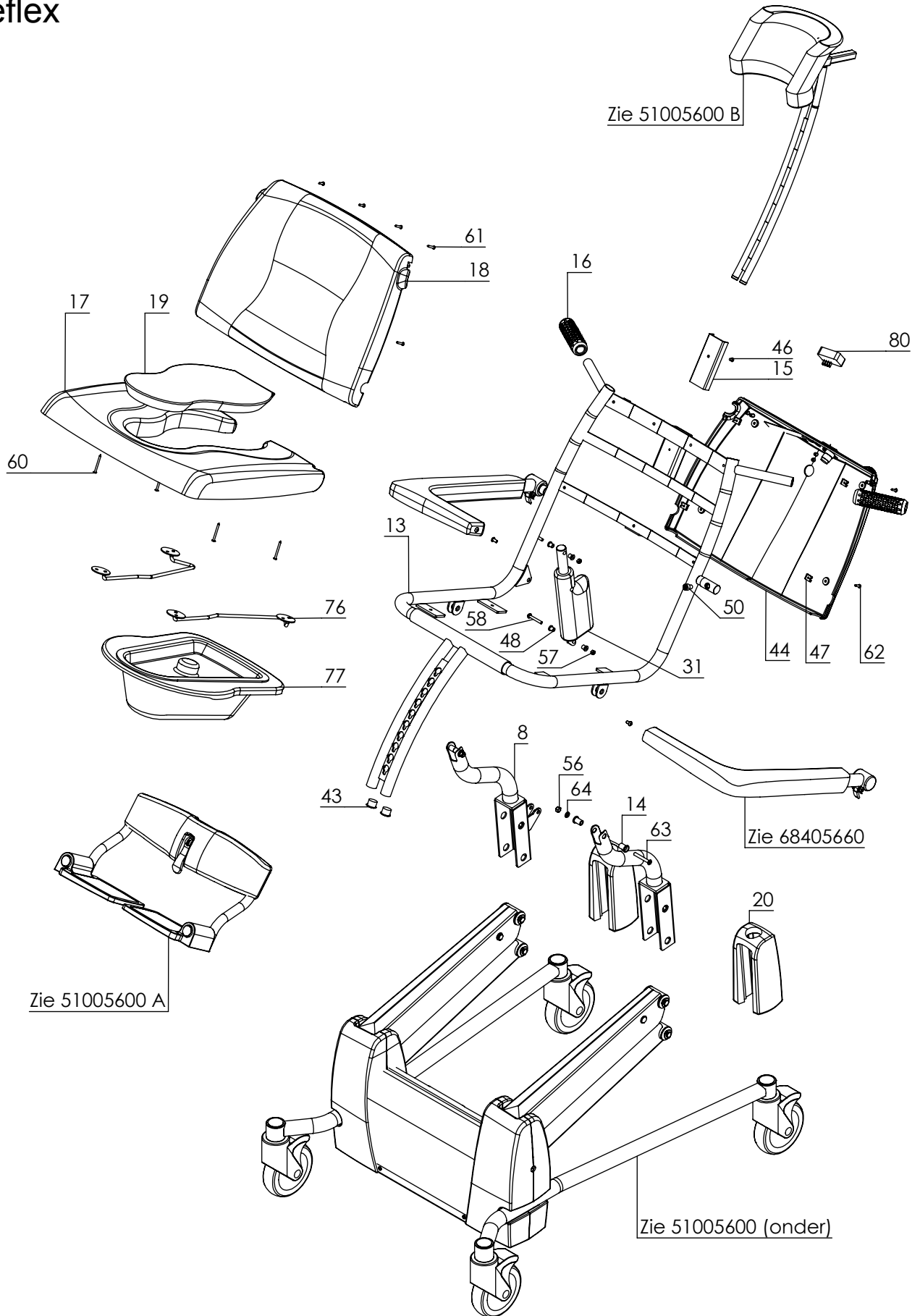


Reflex



Z:\SW-Tek\Reflex\5600\5600\

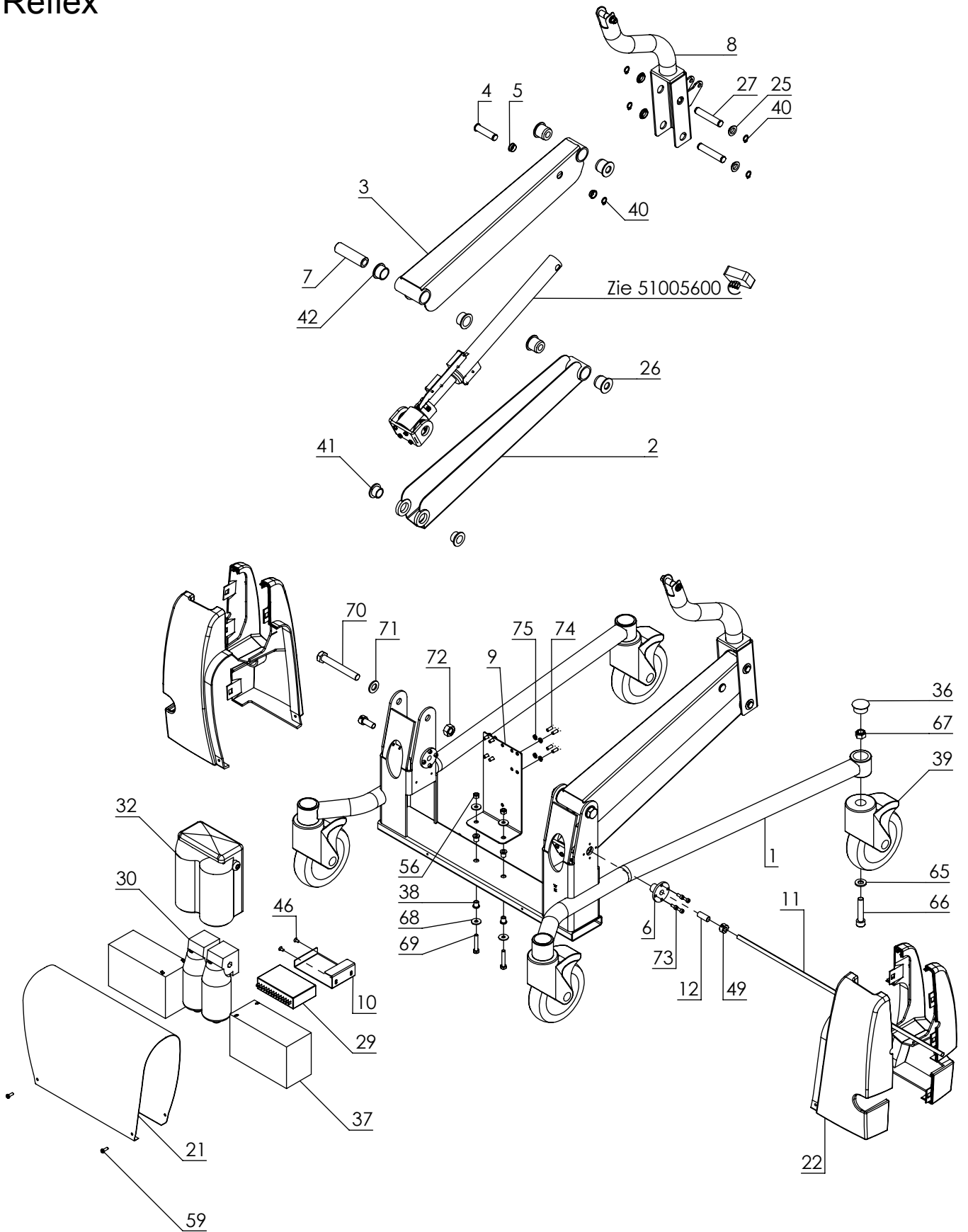
Signed: PS	Datum: 20-07-2005
Revised: 11 /ES	Datum: 03-01-2013
Revised: 10 /ES	Datum: 24-04-2012
Copyright reserved by law	Unit of Measurement: mm

Overview Parts

Lopital Nederland bv

Type nr: 51005600 (boven)

Reflex



Z:\SW-Tek\Reflex\5600_5600\

Signed: PS	Datum: 20-07-2005
Revised: 11 /ES	Datum: 03-01-2013
Revised:: 10 /ES	Datum: 24-04-2012
Copyright reserved by law	Unit of measurement: mm

Overview Parts

Lopital Nederland bv

Type nr: 51005600 (onder)

Reflex 51005600

Stuknr.	Art.nr.	Default/A Qty	Name	Material	Opm./ Tek.nr.
1	70560021	1	Chassis	St gec.	5600-11
2	70560033	2	Head jack	St gec.	5600-12
3	70560034	2	Send Rod	St gec.	5600-13
4	70560025	2	actuator pin	RVS 304	5600-14
5	70560027	4	brass Bushing	MS 58	5600-15
6	70560026	4	4 Hole collar	RVS 304	5600-19
7	70560032	2	Pin	RVS 304	5600-20
8	70560036	1	Chair Carrier L + R	RVS + St gec.	5600-24.1
9	70560037	1	Angle plate for motors	RVS 304	5600-25
10	70560038	1	Control Bracket	RVS 304	5600-26
11	70560030	1	Drive Shaft	RVS 304	5600-27
12	70560031	2	Spacer	RVS 304	5600-28
13	70560022	1	Seat Frame	St + RVS	5600-29.5
14	70560028	4	Tilt Bearing brass	MS 58	5600-30.2
15	70560039	1	Slider	POM	5600-31
16	70560049	2	Hand grip	PUR	5600-33.1
17	70560046	1	Seat	PUR	-
18	70560047	1	Seat Back	PUR	-
19	70560045	1	Seat Insert	PUR	5600-38
20	70560048	2	Hinge	PUR	5600-39.1
21	70560024	1	Motor Cover	ABS	-
22	70560054	1	Cover (set)	ABS	-
23		1	headrest complete	RVS + PUR	56005100B
24		1	Actuator (set)		56005100C
25	70560040	8	Bushing rear	MS 58	5600-56
26	70560041	8	Bushing	POM	5600-57.2
27	70560042	4	Hinge	RVS 304	5600-58
28	70560005	1	Battery charger+ plug	ABS + Div	5600-70
29	70560002	1	Lower control box	ABS + Div	5600-73
30	70560003	2	Motor, ReFlex	Div	5600-74
31	70560006	1	Tilt actuator	RVS+Div	5600-75
32	70560065	1	Motor cover	PVC	5600-76
33	70560007	1	Lever, emergency Cont.		5600-80.2
34		1	Footrest complete Closure	RVS + PUR	51005600A
35	68405660	1	Insert Cap	RVS + PUR	68405660
36		4	Accu	PE	Insteekdop rond 32
37	70560004	2	Bearing with collar	Div	Accu Yuasa 7-12
38		4	Wheel 125 w brake	PA	06x09x11
39	70519928	4	Retaining rings for shafts	Kunststof	-
40		10		A2	12 DIN471

Signed: PS Datum: 20-07-2005
 Revised: 11 /ES Datum: 03-01-2013
 Revised: 10 /ES Datum: 24-04-2012

Overview Parts

Copyright reserved by law

unit of measurement: mm

Lopital Nederland bv

Type nr: 51005600-SL1

Reflex 51005600

Stuknr.	Art.nr.	Default/A Qty	Name	Material	Opm./ Tek.nr.
41		4	Bearing with collar	PA	16x20x13,5
42		4	Bearing with collar	PA	20x24x15
43		2	Cap	PE	Insteekdop rond 22
44	70560053	1	Back cover	ABS + Div	-
45		1	Dial	Bakeliet+RVS	-
46		3	countersunk screw	A2	M4x8 DIN966
47		4	Snap Nut	St ELVZ	No1219
48		4	Bearing with collar	PA	05x08x10
49		2	Set Ring	A1	Stelring 8x16x8 DIN705A-916
50		2	Hex Head Screw	St12.9 Dacromet	M8x12 DIN912 Dacromet
51	70560060	1	Sticker ReFlex Large		-
52	70560061	2	Sticker ReFlex Small		-
53	70560019	1	Plastic gripbag 15x20		-
54	70560044	1	cable tray 12x7	Kunststof	-
55	70560014	1	Cabel assembly		-
56		4	locknut	A2	M6 DIN985
57		2	locknut	A2	M5 DIN985
58		2	Ovalheadscrew	A2	M5x35 DIN7985
59		4	Ovalheadscrew	A2	M4x12 DIN7985
60		4	chipboard screw	A2	ST3,5x40 DIN7981
61		7	chipboard screw	A2	ST3,5x19 DIN7981
62		4	chipboard screw	A2	ST3,5x16 DIN7981
63		2	countersunk screw	A2	M6x45 DIN966 A2
64		2	washer	A2	M6 DIN 125 A2
65		4	washer	A2	M10 DIN125 A2
66		4	Hex Head Screw	A2	M10x50 DIN912
67		4	locknut	A2	M10 DIN985
68		4	flat washer 3xD	A2	M6 DIN9021
69		2	Hex bolt	A2	M6x35 DIN931
70		2	Hex Bolt	A2	M12x90 DIN931
71		2	Washer	A2	M12 DIN 125
72		2	Hex Nut	A2	M12 DIN934
73		16	Hex Head Screw	A2	M4x10 DIN912
74		8	Hex Bolt	A2	M5x12 DIN931
75		8	spring Washer	A2	M5 DIN 127B
76	69501047	1	BedpanGuide	RVS	8-1050-22.4
77	69501104	1	Froli bedpan + cover	Kunststof	-
78	70560062	1	Reflex Charger Sticker		-
79	70560058	1	Sticker Backshell		-
80	70560013	1	Control back shell top	ABS + Div	-

Signed: PS	Datum: 20-07-2005
Revised: 11 /ES	Datum: 03-01-2013
Revised: 10 /ES	Datum: 24-04-2012

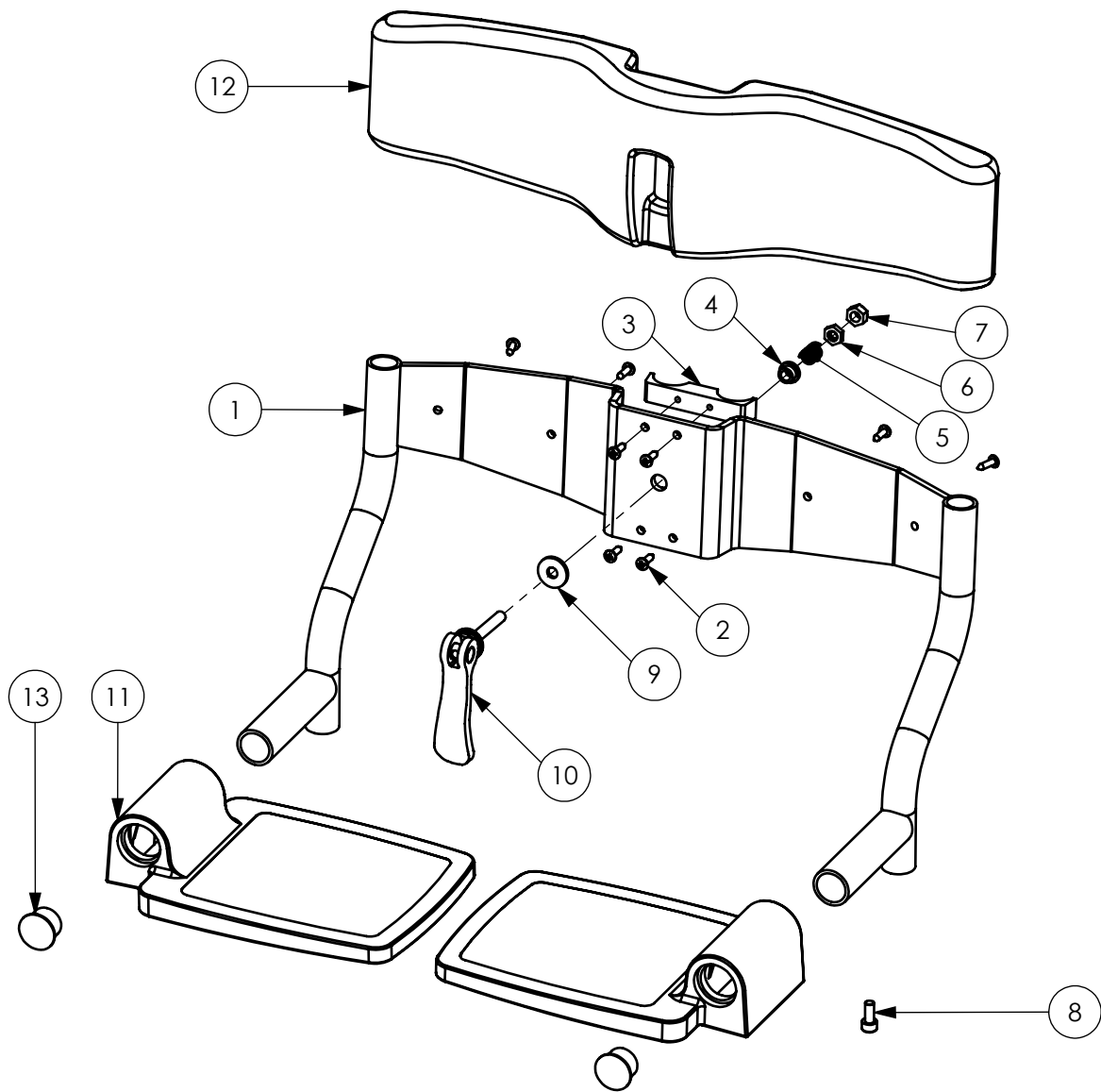
Overview Parts

Copyright reserved by law	Unit of measurement: mm	Lopital Nederland bv	Type nr: 51005600-SL2
---------------------------	-------------------------	----------------------	-----------------------

Reflex

Footrest 70560050

Stuknr.	Art.nr.	Qty	Name	Material	Opm./ Tek.nr.
1	70560023	1	leg support	St+RVS Gec.	5600-40.2
2		8	chipboard screw	A2	ST3,5x13 DIN7981
3	70560020	2	lining Block		5600-41
4		1	Bearing with collar	PA	Glijlager nylon 06x09x06
5	70560018	1	Compression spring	RVS	Veer 8x1x13 DR1950
6		1	Nut, half high	A2	M6 DIN439
7		1	locknut	A2	M6 DIN985
8		2	Hex Head Screw	St ELVZ	M5x12 DIN912
9		1	washer	Rubber	Sluitring rubber 6mm
10	70560029	1	tension Handle	Alu + RVS	Spanhandle
11	70570004	2	Footplate	PP	-
12	70570051	1	PUR calf support	PUR	-
13		2	Cap	PE	Insteekdop rond 22



Z:\SW-Tek\Reflex\5600_5600\

Signed: PS	Datum: Onb.
Revised: 9 /ES	Datum: 06 - 2012
Revised: - /PS	Datum: -
Copyright reserved by law	Unit of Measurement: mm

Overview Parts

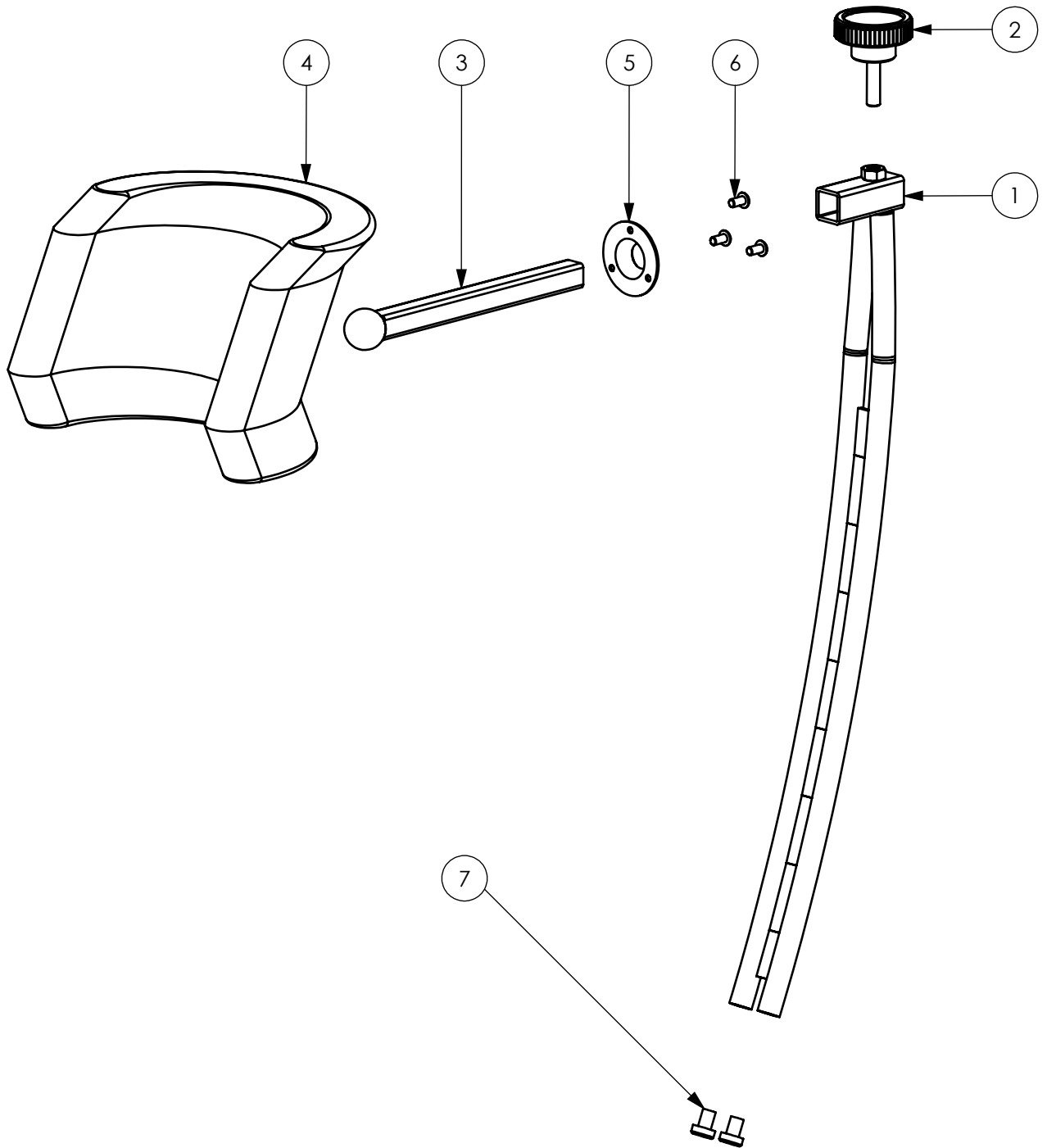
Lopital Nederland bv

Type nr: 51005600A

Reflex

Headrest Reflex

Stuknr.	Art.nr.	Qty	Name	Material	Opm./ Tek.nr.
1	70560057	1	headrest carrier	RVS gec.	5600-50.1
2		1	Headrest knob	Bakeliet+RVS	Draai-knop D46-M8
4	70560056	1	PUR Blue Headrest	St 37 verchr.	Versteller hoofdsteun Reflex
3		1	headrest Mounting	PUR	PUR hoofdsteun
5		1	Friction cap	Staal	Montage hoofdsteun
6		3	Low round head Screw	A2	M5x10 ISO7380
7		2	End Cap	PE	Insteekdop rond 14



Z:\SW-Tek\Reflex\5600_5600\

Signed: PS	Datum: Onb.
Revised: 9 /ES	Datum: 06 - 2012
Revised: - /PS	Datum: -
Copyright reserved by law	Unit of Measurement: mm

Overview Parts

Lopital Nederland bv

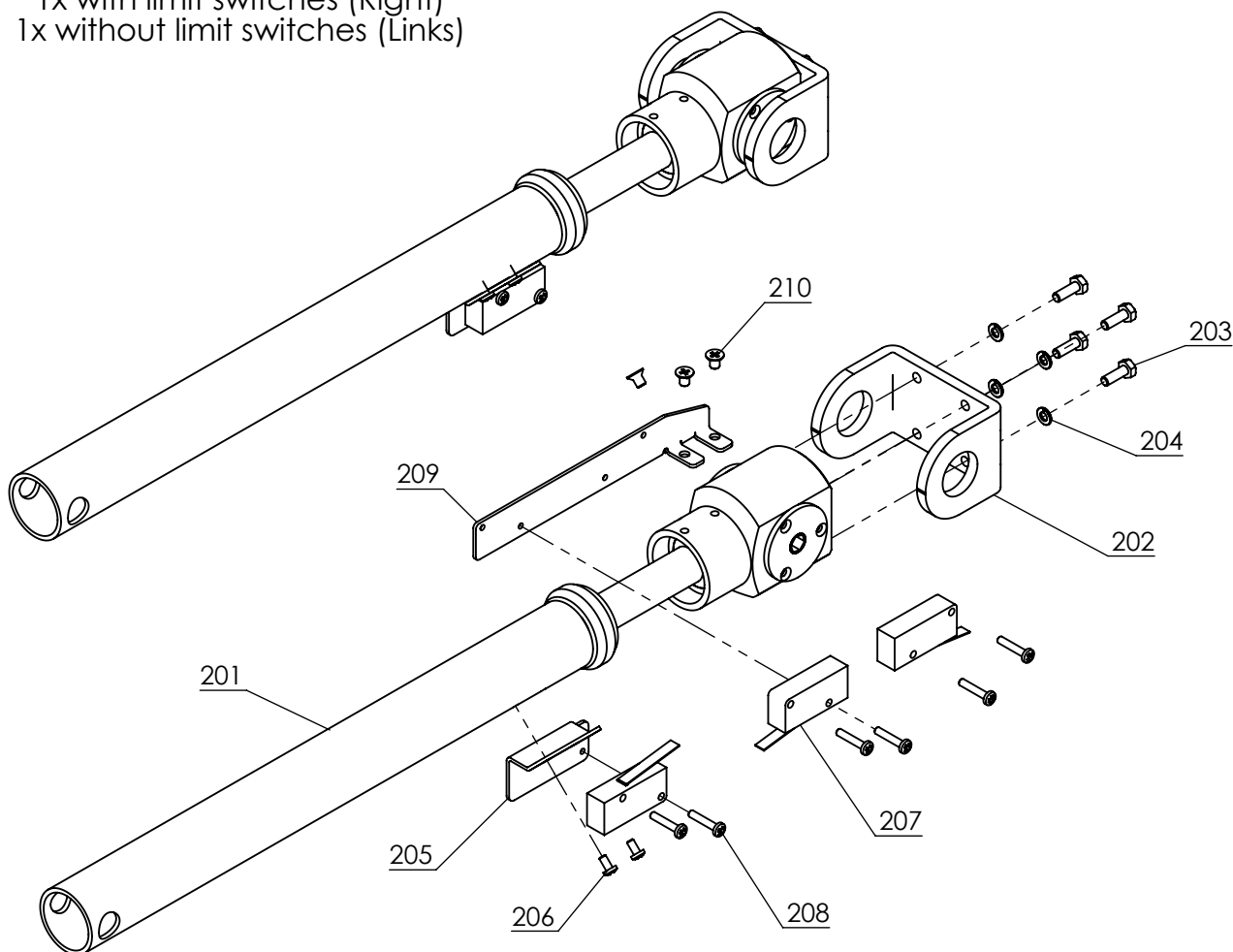
Type nr: 51005600B

Reflex

Actuator set

Stuknr.	Art.nr.	Qty	Name	Material	Opm./ Tek.nr.
201	70560010	2	Actuator	RVS + Alu	5600-55.1
202	70560035	2	Swing Piece	RVS 304	5600-16
203		8	Hex Bolt	A2	M4x12 DIN931
204		8	spring Washer	A2	M4 DIN 127B
205	70560012	2	Bracket pop. switch	RVS 304	5600-17
206		4	Oval head screw	A2	M3x6 DIN7985
207	70560001	4	Micro Switch	IP67	ABV 161261
208		8	Limit switch	A2	M3x16 DIN7985
209	70560011	1	Bracket limit switch	RVS 304	5600-18.2
210		3	Dd. screw	A2	M4x6 DIN965

1x with limit switches (Right)
1x without limit switches (Links)



Signed: PS	Datum: 20-07-2005
Revised: 7 /PS	Datum: 09-12-2008
Revised: 6 /PS	Datum: 12-06-2008

Overview Parts

Copyright reserved by law

Unit of measurement: mm

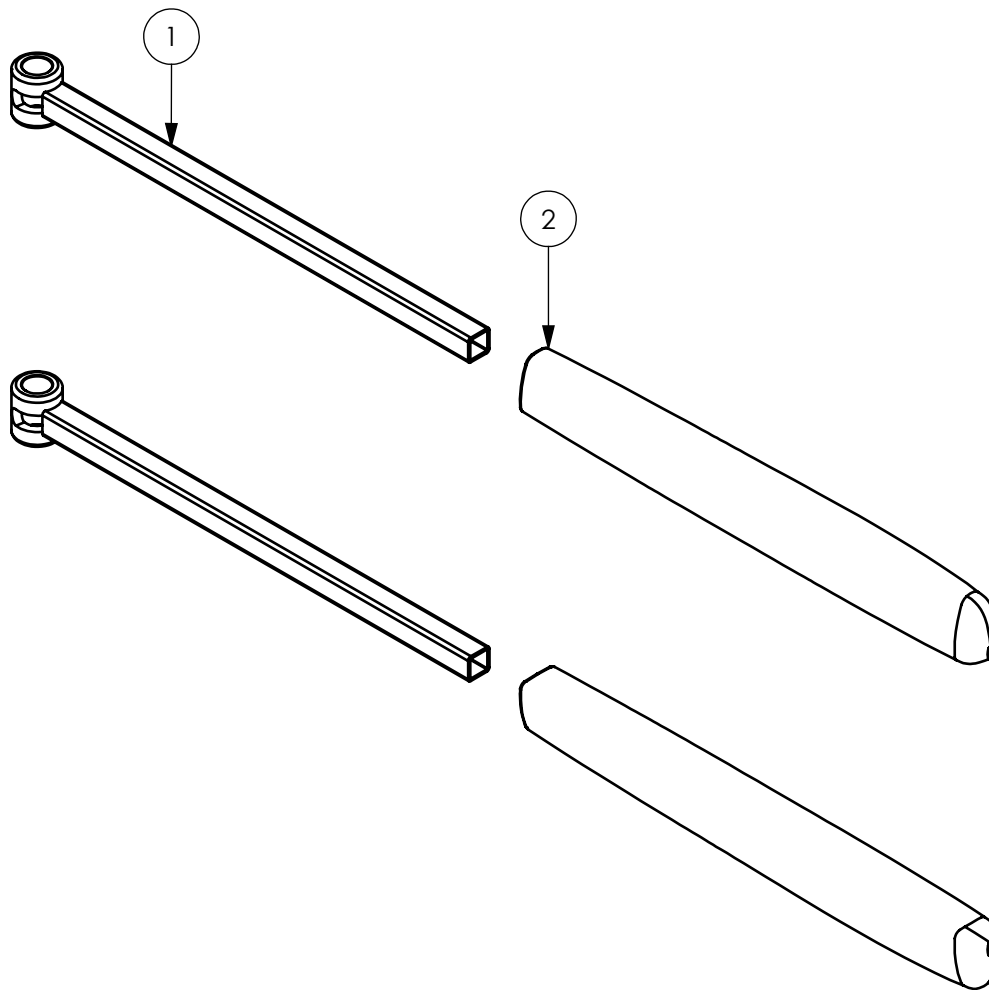
Lopital Nederland bv

Type nr: 51005600 C

Reflex

Straight armrest (set) 68305650

Stuknr.	Art.nr.	QTY.	Name	Material	Opm./ Tek.nr.
1	68305650	1 + 1	Armrest frame	RVS Gecoat	5650-11.4
2	70565002	1 + 1	Straight Armrest	PUR	Froli



Z:\SW-Specials\Flexo & Reflex & Tango\129 PUR Froli\Froli - ARMLEGGERS\Rechte armlegger\

Signed: PS	Datum: 08-12-2008
Revised: 1 /ES	Datum: 24-04-2012
Revised: - /PS	Datum: -
Copyright reserved by law	Unit of measurement: mm

Overview Parts

Lopital Nederland bv

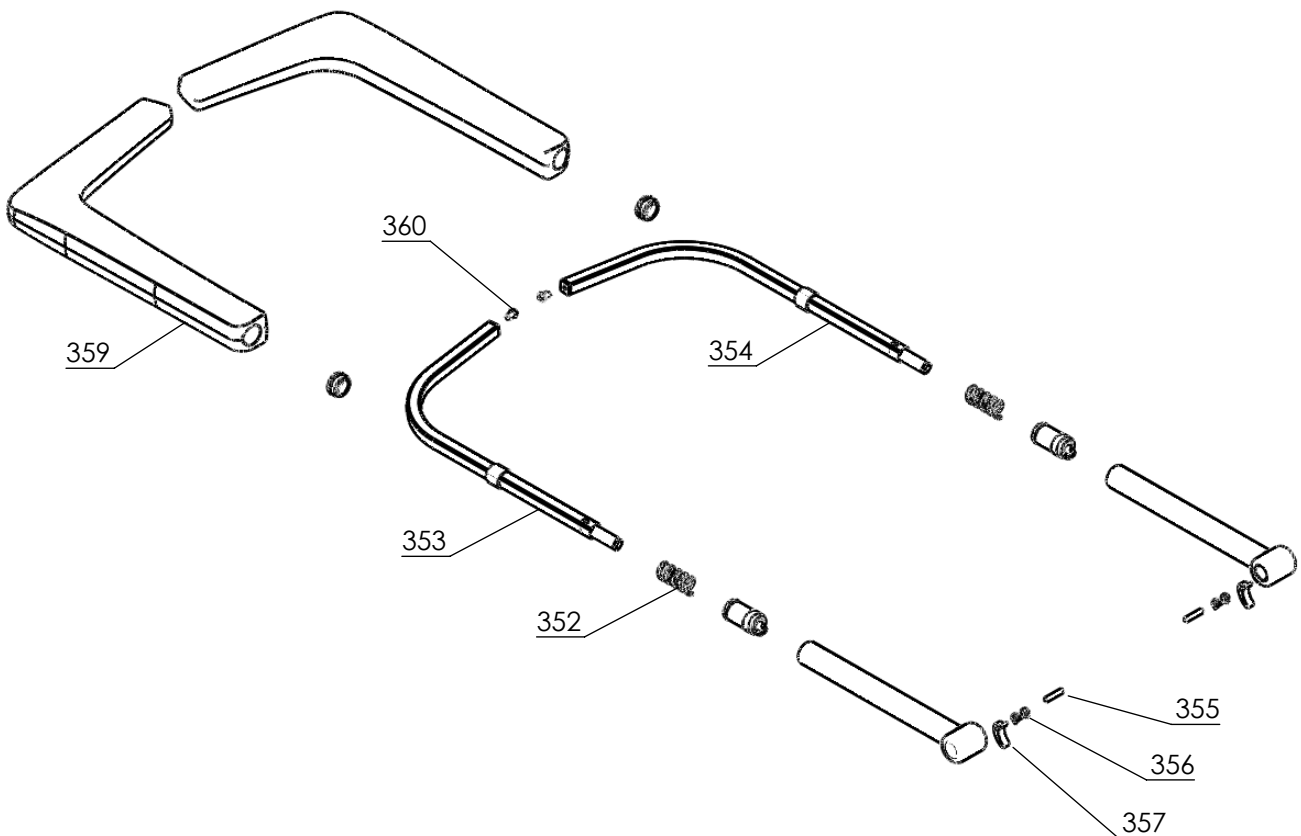
Type nr: 68305650

Reflex

68405660 Curved Armrest (set)

Stuknr.	Art.nr.	Qty	Name	Material	Opm./ Tek.nr.
350	70560043*	2	Arm base piece	RVS	5660-11.3
351	70560043*	2	Grendelbus	RVS430F	5660-12.3
352	70560043*	2	Spring	RVS	-
353	70560043*	1	Curved Piece left	RVS	5660-21.3 L
354	70560043*	1	Curved piece right	RVS	5660-21.3 R
355		2	cylindrical pin	A2	4x28 DIN 7
356	70560043*	2	Torsion spring	RVS 301	5660-16
357	70560043*	2	Unlocking Catch	RVS 304	5660-15
358	70560043*	2	coupling nut M25x1	RVS 303	5660-14
359	70566003	2	Armrest for closure hex	PUR	-
360		2	head screw	A2	M5 x X ISO7380

Stainless steel front closure complete set
 Art.nr. 70560043
 Stuknr. 350 t/m 358



Z:\SW-Tek\Reflex 5600\5660\

Signed	PS	Datum:	07-03-2007
Revised:	5 /ES	Datum:	04-12-2012
Revised:	4 /ES	Datum:	23-04-2012
copyright reserved by law	Unit of measurement:	mm	

Overview Parts

Lopital Nederland bv

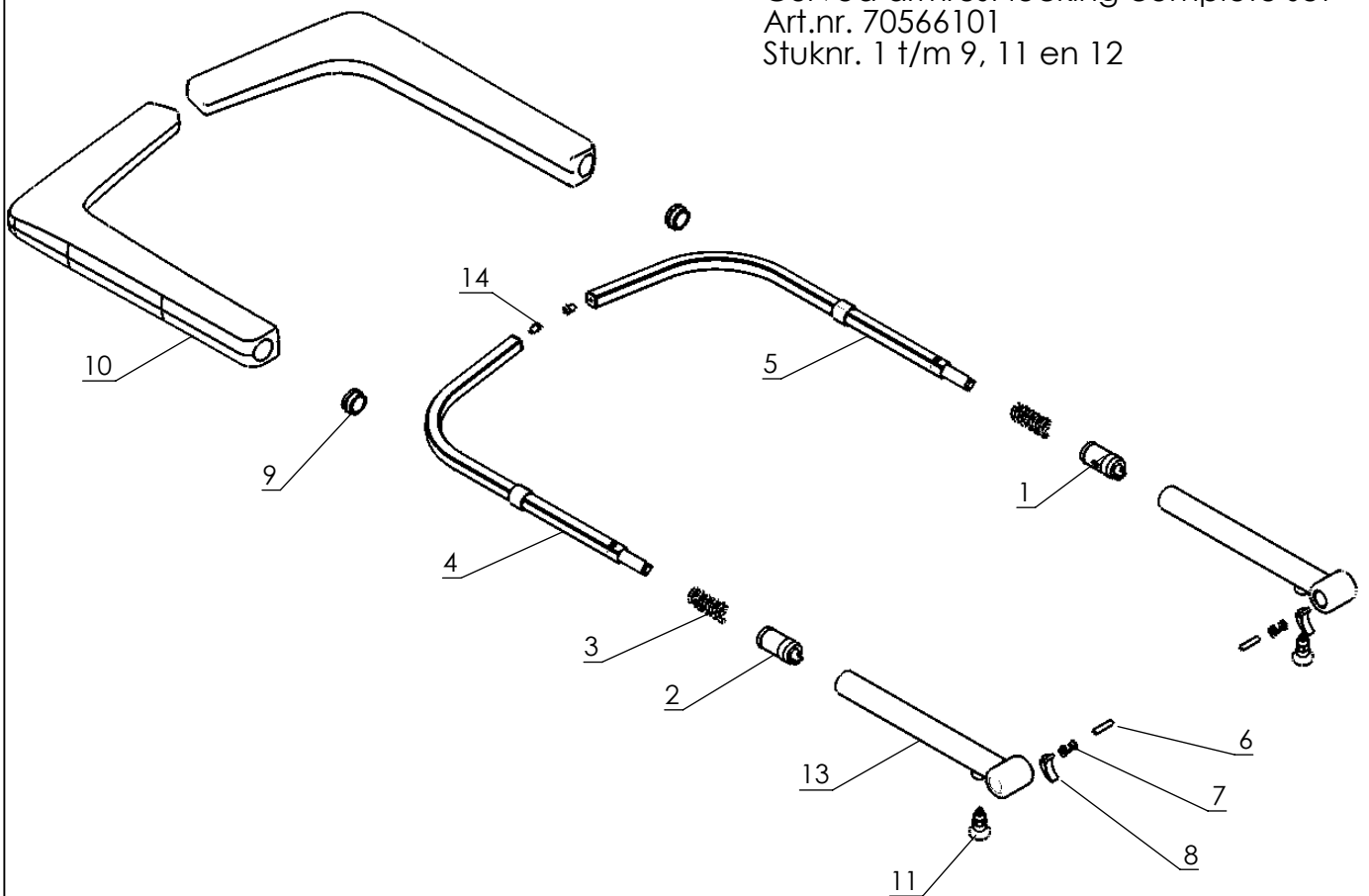
Type nr: 68405660

Reflex

68405661 Curved armrest set with lock

Stuknr.	Art.nr.	Qty	Name	Material	Opm./ Tek.nr.
1	70566101*	1	Grendelbus Right	RVS430F	5661-12.5
2	70566101*	1	Grendelbus Left	RVS430F	5661-12.5
3	70566101*	2	Spring	RVS	Veer18x1,5x55
4	70566101*	1	Curve Piece left	RVS	5660-21.3 L
5	70566101*	1	Curve piece right	RVS	5660-21.3 R
6		2	cylindrical pin	A2	4x28 DIN 7
7	70566101*	2	torsion spring	RVS 301	5660-16
8	70566101*	2	Release lever	RVS 304	5660-15
9	70566101*	2	coupling nutM25x1	RVS 303	5660-14
10	70566003	2	Armrest	PUR	Armlegger voorstl
11	70512001	2	locking pin	RVS	Trekknop M10x1 - Kort
12	70566101*	1	armrest Piece armrest	RVS	5661-11.5
13	70566101*	1	Piece	RVS	5661-11.5
14		2	low round head screw	A2	M5 x X ISO7380

Curved armrest locking complete set
 Art.nr. 70566101
 Stuknr. 1 t/m 9, 11 en 12



Z:\SW-Tek\Reflex 5600\5661\

Signed:	RH	Datum:	05-04-2012
Revised:	1 / ES	Datum:	04-12-2012
Revised:	-	Datum:	-
Copyright reserved by law	Unit of measurement: mm		

Overview Parts

Lopital Nederland bv

Type nr: 68405661