

METRON TREATMENT TABLES

Elite 7-Section, Elite Aster 3-Section, Elite 2-Section, Elite 2-Section with Short Head (Elite European Aster 2 Section), Elite 3-Section, Elite Bobath (Elite Neuro)(39" & 47")

Operating and Technical Manual



(Elite 7-Section shown)

Rev 5, January 2016

1 METRON TREATMENT TABLES - WARRANTY STATEMENT

PATTERSON MEDICAL will warrant this table, for parts and labor only, against defects in manufacture for a period of **three (3) years** for structural integrity, actuators, power supplies, control devices. Upholstery is warranty for 1 year for normal wear and tear. All warranty periods shall commence from the date of purchase.

All cables, plugs and sockets will be covered under this warranty for a period of three months from the date of purchase.

- **PROVIDING** - The table has not been serviced by persons not authorized by PATTERSON MEDICAL and has not been misused or tampered with and has been used on the correct voltage as branded on it.

- **THIS WARRANTY EXCLUDES** - Parts of the table, failure of which in the opinion of the dealer or manufacturer is a result of misuses or abuse or any other reason not directly attributed to fault in manufacture.

Batteries are excluded from this warranty except where it can be demonstrated that any battery failure was caused by a malfunction in the Metron equipment.

- **IN THE EVENT OF STRUCTURAL FAILURE** - Please contact PATTERSON MEDICAL or your agent or dealer.

Warranty arrangements for actuators and associated components shall be organized with your distributor.

- **UNDER NO CIRCUMSTANCES** - Shall PATTERSON MEDICAL or their agents or dealers be liable in any manner whatsoever for any compensation or damages to any person occasioned by this table for any loss, injury or any damage occasioned by or as a result of the misuse or abuse of this table.

- **LOSS IN TRANSIT** - The warrantor does not accept any responsibility for loss or damage to the table in transit.

Any express or applied conditions, statements or warranty, statutory or otherwise is hereby excluded.

2 CONTENTS

1 METRON TREATMENT TABLES - WARRANTY STATEMENT	2
2 CONTENTS	3
3 INTRODUCTION.....	4
4 INTENDED USE	4
5 SPECIFICATIONS.....	5-6
6 POWER SUPPLY REQUIREMENTS.....	7
7 ENVIRONMENTAL CONDITIONS.....	7
8 PRECAUTIONS AND WARNINGS.....	7
9 ELECTROMAGNETIC INTERFERENCE	8
10 TRANSPORTING TABLE.....	8
11 SYMBOLS.....	9
12 QUALITY ASSURANCE	10
13 INSTALLATION.....	10-11
14 OPERATOR CONTROLS	12
15 TROUBLESHOOTING.....	13
16 DECOMMISSIONING AND DISPOSAL	13
17 WIRING DIAGRAM	13
18 PRODUCT SAFETY TESTING INFORMATION	14
19 MANUFACTURING INFORMATION.....	15
20 CONTACT INFORMATION.....	15

3 INTRODUCTION

Congratulations on the purchase of one of the Metron range of Treatment Tables. We are confident that it will provide many years of excellent performance.

This Operator's Manual presents all the relevant operator information for your Metron Treatment Table.

All Metron Treatment Tables are designed to provide a comprehensive range of features and offer exceptional value for money. The design principles employed ensure that the product is extremely robust, long lasting and provides a safe and ergonomically sound environment in which the practitioner can treat his or her patients. The table you have purchased is the result of many years of research into the needs of the practitioner and the development of the most effective way of satisfying those needs in a treatment table.

The best quality materials are utilized in the construction of the table and the latest industry proven fabrication methods are used. If you, as a user of the table and this manual, have any relevant comments or questions, on either the equipment or the manual, your communication with us would be welcomed.

4 INTENDED USE

The intended use of the Treatment Table is to position a patient for medical treatment. The unit is intended for use by qualified medical physical professional within a professional setting.

5 SPECIFICATIONS

Table Name: Metron Elite 7-Section table 961205 Model TSB89E7S (T8721 Old Number)

Specifications:	28" (71.12 cm) W x 76" (193.04 cm) L x 39" (99.06 cm) H (Max)
Cushioning:	28" (71.12 cm) W
Center Section:	26" (66.04 cm) L
Head Section:	16" (40.64 cm) L
Leg Section:	33" (83.82 cm) L
Max Height:	39" (99.06 cm)
Min. Height:	22" (55.88 cm)
Tilt Angle Head:	10°/-75°
Tilt Angle Leg:	0°/65°

Maximum User Weight: 550lbs (249.48 kg).

Table Name: Metron Elite Aster 3-Section table 961204 Model TSB88EA3S (T8718 Old Number)

Specifications:	28" (71.12 cm) W x 76" (193.04 cm) L x 38" (96.52 cm) H (Max)
Cushioning:	28" (71.12 cm) W
Center Section:	26" (66.04 cm) L
Head Section:	16" (40.64 cm) L
Leg Section:	33" (83.82 cm) L
Max Height:	38" (96.52 cm)
Min. Height:	20" (50.8 cm)
Tilt Angle Head:	15°/-63°
Tilt Angle Leg:	0°/88°

Maximum User Weight: 550lbs (249.48 kg).

Table Name: Metron Elite 2-Section with Short Head table 961201 Model TSB87E2SSH (T8722 Old Number)

Specification:	28" (71.12 cm) W x 78" (198.12 cm) L x 38" (96.52 cm) H (Max)
Cushioning:	28" (71.12 cm) W
Body Section:	59" (149.86 cm) L
Head Section:	17" (43.18 cm) L
Max Height:	38" (96.52 cm)
Min. Height:	19" (48.26 cm)
Tilt Angle Head:	20°/-65°

Maximum User Weight: 550lbs (249.48).

Table Name: Metron Elite 2-Section Table 961202 Model TSB87E2SLH (T8716 Old Number)

Specification:	28" (71.12 cm) W x 79" (200.66 cm) L x 39" (99.06 cm) H (Max)
Cushioning:	28" (71.12 cm) W
Body Section:	52" (132.08 cm) L
Head Section:	26" (66.04 cm) L
Max Height:	39" (99.06 cm)
Min Height:	19" (48.26 cm)
Tilt Angle Head:	-30°/80°

Maximum User Weight: 550lbs (249.48 kg).

Table Name: Metron Elite 3-Section Table 961203 Model TSB88E3S (T8714 Old Number)

Specification:	28" (71.12 cm) W x 79" (200.66 cm) L x 39" (99.06 cm) H (Max)
Cushioning:	28" (71.12 cm) W
Center Section:	26" (66.04 cm) L
Head Section:	26" (66.04 cm) L
Leg Section:	26" (66.04 cm) L
Max Height:	38" (96.00 cm)
Min Height:	19" (48.26 cm)
Tilt Angle Head:	-35°/80°
Tilt Angle Leg:	-20°/35°

Maximum User Weight: 550lbs (249.48 kg).

Table Name: Metron Elite Bobath (39" & 47" models) 961206 & 961207 Model TSB86EB (T8568 Old Number)

Specification:	39" (99.06 cm) W x 82" (208.28 cm) L x 38" (96.52 cm) H (Max) and 47" (119.38 cm) W x 82" (208.28 cm) L x 35" (88.9 cm) H (Max)
Cushioning:	39" (99.06 cm) W and 47" (119.38 cm) W
Head Section:	26" (66.04 cm) L
Leg Section:	55" (139.7 cm) L
Max Height:	35" (89.9 cm)
Min. Height:	19" (48.26 cm)
Tilt Angle Head:	-30°/80°

Maximum User Weight: 550lbs (249.48 kg).

6 POWER SUPPLY REQUIREMENTS

The Metron Treatment Table ratings are:

Input

Voltage 100-240 Volts AC

Frequency 50/60 Hz

Current: 1.5 Amps

Output Power/Current: 52W / 1.8 A

The actuator's frequency and power ratings are:

Voltage 100-240 Volts AC

Frequency 50/60 Hz

Output Rated Power/Current: 52W or 4A

Operation: Intermittent Operation 2 Min ON /18 Min OFF

7 ENVIRONMENTAL CONDITIONS

Operating: Temperature Range 10 - 40 degrees C (50 – 104 degrees F)

Relative Humidity 30% - 90%

Atmospheric Pressure 700hPa to 1060hPa

Transport & Storage: Temperature Range 0 - 70 degrees C (32 -157 degrees F)

Relative Humidity 10% - 100%

Atmospheric Pressure 500hPa to 1060hPa

8 PRECAUTIONS AND WARNINGS

8.1 Precautions

- After moving the table, ensure the wheels/castors are locked/retracted before applying therapy to patients.
- After moving the table to a new location, check the table legs are clear of power cables before retracting/locking the wheels/castors.
- Ensure table mechanism/moving parts are clear of cables and wiring.
- **To avoid injury, keep patient and practitioner limbs clear of mechanism - especially when in motion.**
- When applying electrotherapy, ensure patient avoids direct contact with the metal frame, to avoid the possibility of small earth leakage currents.
- Be familiar with the location of the table controls to avoid inadvertent actuation of the table sections, gas struts or table linear actuator.
- **Enter and Exit the table utilizing the midsection of the table.**

8.2 Warnings

WARNING: Do not modify this equipment without authorization of the Manufacturer

WARNING: Do not use table for transporting patient

WARNING: This equipment should not be used in Oxygen Rich Environment

WARNING: Do not sit on the head or foot section as this might cause damage to the table

WARNING: Do not leave patients unattended on or near the table

8.3 Flammable Gases and Anesthetics

The Table is **NOT SUITABLE** for use in the presence of flammable gases and anesthetics.

8.4 Duty Cycle

Duty cycle of the Table is the run time of the Table in minutes followed by a required rest time in minutes. Table is designed for intermittent operation with a duty cycle of 2 minute ON / 18 minutes OFF. DO NOT EXCEED duty cycle; doing so could damage the table.

9 ELECTROMAGNETIC INTERFERENCE

This Metron Treatment Table complies with IEC 60601-1-2 but this does not guarantee that other equipment in the vicinity will not be affected by the electromagnetic emissions from this unit.

It is recommended that all equipment used near this unit complies with the relevant electromagnetic compatibility requirements for that equipment and to check before use that no interference is evident or disruptive. Increasing the distance between offending devices will help reduce the effect.

10 TRANSPORTING TABLE

To transport the table between rooms or new locations, the table is fitted with wheels, depending on the table variant there will be four retracting castors that can be positioned in the down position to allow the table to be moved.

When transporting the table ensure the Transformer is unplugged from the wall outlet, and the cables coiled up and placed on top of the table.

Once transportation in complete, ensure the castors are fully retracted, and the

Operating and Technical Manual Treatment Tables

Page 8 of 15

Transformer is located as directed in the installation section. Confirm that the position of the table allows for easy access to and removal of the Transformer plug from the wall outlet in the event power to the table needs to be turned off.

11 SYMBOLS



CE Mark Symbol & TUV- Table complies with CE MDD & cTUVus.



Safe Working Load Symbol - Maximum Safe Working Load



BF Symbol - Body Floating AP.



Caution Symbol - Read Instructions and Warnings.



WEEE Symbol - Disposal not in municipal waste.



Lifting Warning Symbol - Table is heavy, adhere to OH&S lifting guidelines.



Do not push on back cushion



Danger - Pinch Point – Keep Feet Clear



No patient limbs should be near the front wheels

12 QUALITY ASSURANCE

It is recommended that a program of regular and appropriate quality assurance including electrical safety inspections be instituted for this equipment. A qualified service personnel or a third party service organization should be capable of performing the necessary testing and documentation.

13 INSTALLATION

The table is shipped in protective packaging. Remove this outer packaging carefully making sure that sharp objects such as knives or cutter do not penetrate the cover as upholstery damage may result.

The Tables use the Dewert system for lifting or lowering the table. The Dewert system uses an inline Transformer, this transformer is in a small white box and looks like the photograph below:



The Transformer is connected to the actuator via a long cable that is attached to the actuator. The actuator cable is normally coiled up, so cut any cable ties and uncoil the cable. This cable has a **two** pin connection, this **two** pin connection is plugged into the side of the Transformer - this is shown below:





It is recommended the Transformer be positioned near the wall outlet, as the output of the transformer is isolated from Low Voltage, this will ensure there is no Mains Voltage near the table, ensuring high levels of Practitioner and Patient safety.

It is recommended that the Transformer Main Cable and Plug are located near a wall outlet to allow operator to easily access and remove the power Plug in the event that power to the table needs to be turned off.

On some motors there is a second plug, this plug is unused and should be left cable tied to the actuator. Care should be taken to ensure that the electrical cable does not become lodged under the table frame or other nearby equipment, so position the cables clear of any moving parts.

Apply power to the table and operate the *UP* control. The table will should rise. If nothing happens ensure that a proper connection has been made at the power supply. Attempts to raise or lower the table beyond the mechanical stops will not cause damage to the table or the actuator.

14 OPERATOR CONTROLS

14.1 Surround Bar

The Surround Bar is used to raise and lower the table for all models. To raise the table, place your foot under the activation bar and lift the bar UP using the top of your foot. To lower the table, place your foot on top of the activation bar and push the bar down using the ball of your foot. Moving the Surround Bar will activate the Hi - Lo actuator motor.

Note: The bar should not be used as a step or excessive downward pressure applied to the bar, as this may bend the mechanism or may break the electrical switches in the base frame.

The Surround Bar has a label attached to the top of the surround bar on both sides of the table:



14.2 Adjusting Cushion Angles

Some of the cushions on the tables can be moved to different angles. To raise the cushion, simply raise the Lever to activate the gas strut and lift to the desired angle. It will lock at the desired position.

To lower the cushion, raise the Lever to activate the gas strut and lower to the desired angle, releasing the Lever will lock at the desired position.

14.3 Upholstery

The vinyl used on the Metron Treatment Tables has been chosen for its long wearing properties and its resistance to breakdown due to body fluids and creams. It is a flame resistant vinyl coated fabric and is sanitized to inhibit the growth of bacteria, mold and mildew.

14.4 Upholstery Maintenance

It is recommended the upholstery be cleaned (weekly) with warm soapy water and then wiped clean with a damp cloth to rinse off any soapy residue. This will preserve the upholstery and increase its life span.

15 TROUBLESHOOTING

If actuator is not functioning:

1. Check power supply is 'on' and Transformer cable is connected.
2. Check Transformer is connected to Actuator.
3. Check Surround Bar connection to Actuator.

If fault remains, the Actuator must be checked by a qualified service person.

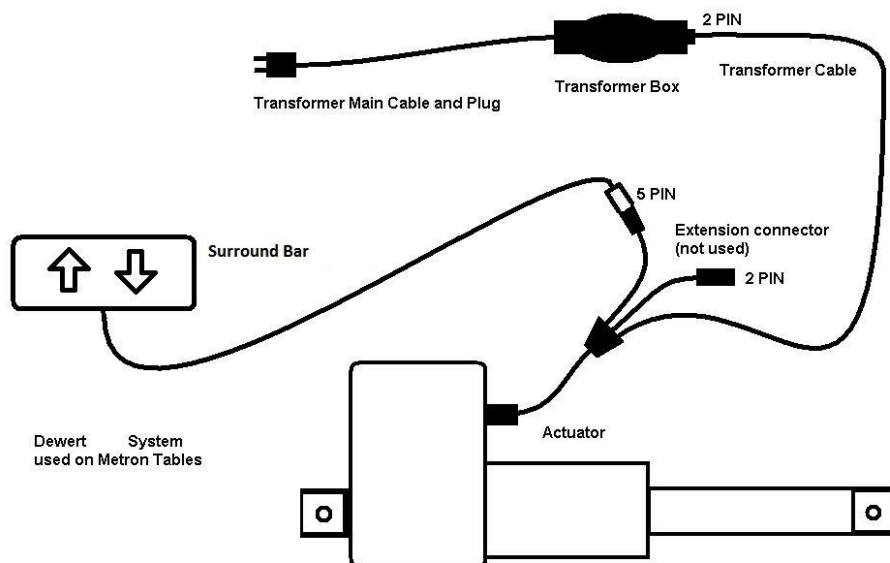
16 DECOMMISSIONING AND DISPOSAL

The table contains no batteries or ionizing sources, and therefore can be disposed of without removing any parts. It is recommended the table be disposed of in an environmentally friendly way.

WEEE symbol: The symbol of the *doubled crossed wheelie bin* shown below indicates the device should not be disposed of in unsorted municipal waste, but in an environmentally responsible way.



17 WIRING DIAGRAM



18 PRODUCT SAFETY TESTING INFORMATION

Metron Tables are tested and they comply with:

IEC 60601-1: 2005 + CORR. 1 (2006) + CORR. 2 (2007)

CSA C22.2 No. 60601-1: 2008

ANSI/AAMI ES 60601-1:2005 +C1:2009 +A2:2010