

DISTRIBUTOR/AGENT:	DATE OF ORDER:
	DATE OF DELIVERY:
	NAME OF THE ADDRESSEE/USER:

**F E A T U R E S**

- **Frame** painted with non-toxic epoxy powders. Compact and adjustable in height - to allow access to different table tops and work surfaces - thanks to the gas spring for the adjustment with the child seated. The **international height adjustment patented system**, typical of the "GRILLO product family", allows for a compact, space-saving base while offering a wide range of height adjustments.
- Grillo Adaptive Seating has a very **breathable, comfortable, durable, easy to wash and quick to dry** fabric, composed by:
  - » Load-bearing upholstery, not removable: the essential design texture allows excellent breathability that **reduces sweating and bacteria formation**. The composition of the fabric allows easy sanitation and washing with quick drying times. The texture maintains the performance even at high loads and it has **self-supporting effect**. It is **fire retardant** according to reaction to fire Class 1 (non-flammable combustible materials) according to the MD of 26th June 1984 and subsequent amendments and additions.
  - » Removable cover is made by very breathable and high quality material both internally and externally. The inner padding has a **highly innovative leading edge structure**, that is three-dimensional, **lightweight**, providing extremely high air circulation, **optimal weight distribution** and excellent comfort. The external fabric is **highly resistant to abrasion** too. **Fire retardant** according to EN 1021-1:2014 and EN 1021-2:2014 standards.
- **Backrest** adjustable in height and tilt thanks to gas spring. Foldable for transport.
- Soft **armrests**, adjustable in height and tilt.
- **Multadjustable padded pelvic side supports** for greater containment. Adjustable in width, rotation and depth.
- **Safe adjustments without any risk of losing the screw.**
- **Seat** tilted by gas spring; adjustable in depth and width thanks to padded pelvic side supports.
- **Pelvic belt 947** provided as standard.
- **Legrest** adjustable in height and tilt with physiological fulcrum, such as to make the adjustment comfortable. Adjustable in depth with the seat.
- **Calf rests** adjustable in height and depth.
- **Footrests** tilting and adjustable in flexion-extension.
- **Twin solid wheels**, 75 mm swiveling, all equipped with parking brakes.



Marked **CE**

⚠ Attention!  
Read carefully the user and maintenance manual

**Please check off the interested products**



**M E A S U R E S**

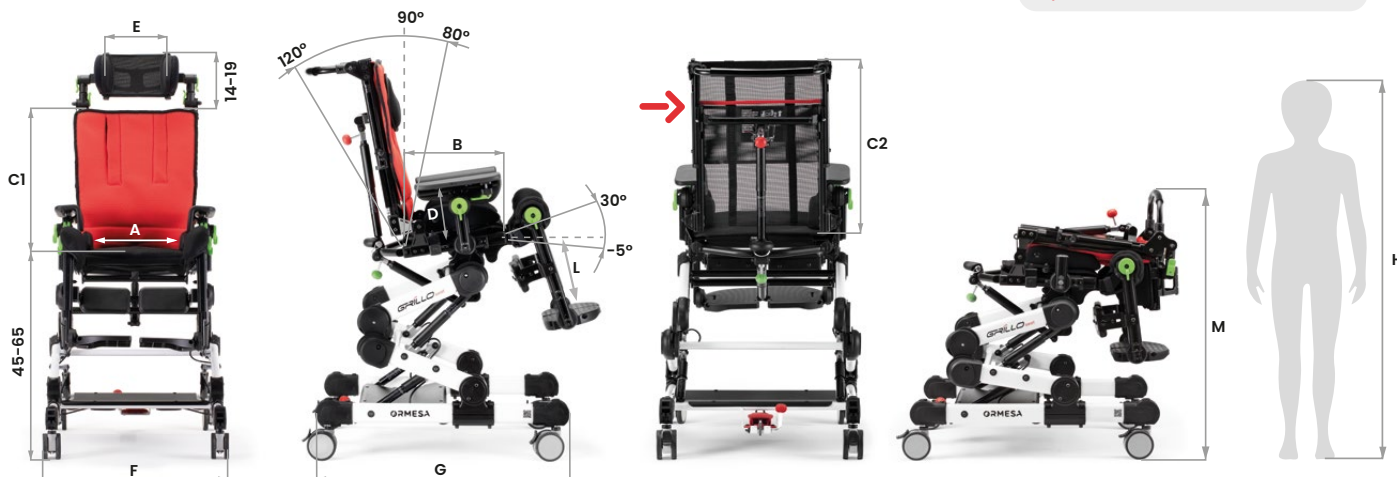
Backrest upholstery colour:

Frame colour: **white**






**measures table with and without postural headrest**


⚠ With the external headrest 863 don't raise the backrest above the red line.



	A	B	C1	C2	D	E	F	G	L	M	Tot. weight	Max. load	User height(H)
<b>Mini</b>	16-26 cm 6,2-10,2 in	16-26 cm 6,2-10,2 in	30-41 cm 11,8-16,1 in	30-50 cm 11,8-19,6 in	12-15 cm 4,7-5,9 in	15 cm 5,9 in	49 cm 19,2 in	59 cm 23,2 in	15-25 cm 5,9-9,8 in	68 cm 26,7 in	20,4 kg 44,9 lb	25 kg 55,1 lb	75-105 cm 29,5-41,3 in

↓ TO BE COMPLETED WITH THE HEADREST

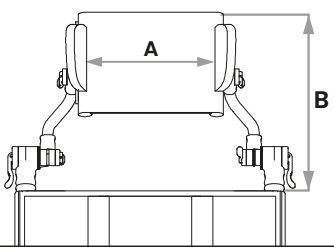
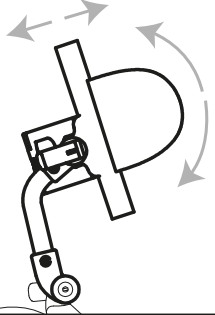

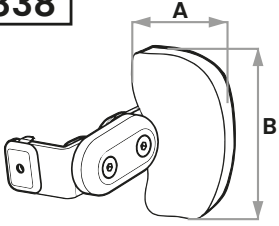
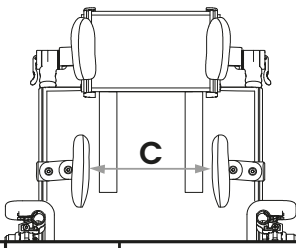
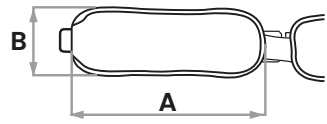
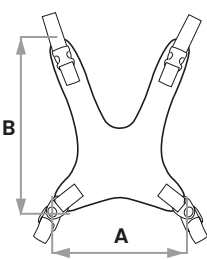
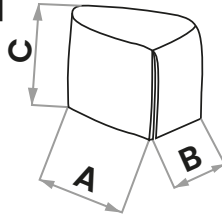
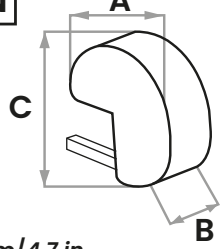
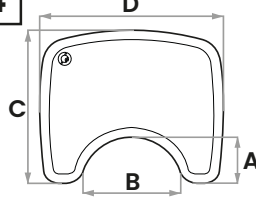
<input type="checkbox"/> <b>865 Padded headrest</b> adjustable in height.	<input type="checkbox"/> <b>835 Padded, shaped and containing headrest</b> adjustable in height.	<input type="checkbox"/> <b>863 Postural headrest</b> adjustable in height, tilt and depth.
		

 If the headrest model is not selected, the high chair will be sent with the simpler 865 model.

↓ ADDITIONAL COMPONENTS

<input type="checkbox"/> <b>947 Pelvic belt with variable angle (provided as standard)</b>	<input type="checkbox"/> <b>838 Trunk side supports</b> Adjustable in height, width and transversally.	<input type="checkbox"/> <b>868 Wrappable and flexible trunk supports</b> Adjustable in height, width and transversally.	<input type="checkbox"/> <b>961 Elbow side supports</b>	<input type="checkbox"/> <b>853 Vest harness</b>
				
<input type="checkbox"/> <b>834R Adjustable abduction block</b> in depth and abduction.	<input type="checkbox"/> <b>834N Narrow abduction block</b>	<input type="checkbox"/> <b>824 Tray with wrap-around recess</b> Adjustable in depth, height and tilt with armrests.	<input type="checkbox"/> <b>960 Heelrests</b>	<input type="checkbox"/> <b>962 Footrests + Heelrests</b>
				

Notes: \_\_\_\_\_  
 \_\_\_\_\_  
 \_\_\_\_\_  
 \_\_\_\_\_  
 \_\_\_\_\_

COMPONENTS  MEASURES	<b>863</b>  <p>A = 15 cm / 5,9 in                  B = 13-19 cm / 5,1-7,4 in</p>			
	<b>947</b>  <p>mini                  A = 16 cm / 6,2 in                  B = 5 cm / 1,9 in</p>	<b>838</b>  <p>mini                  A = 9 cm / 3,5 in                  B = 11 cm / 4,3 in</p>	 <p>C = 14-20 cm / 5,5-7,8 in</p>	<b>868</b>  <p>mini                  A = 23 cm / 9 in                  B = 9 cm / 3,5 in</p>
	<b>853</b>  <p>mini                  A = 20,5 cm / 8 in                  B = 28 cm / 11 in</p>	<b>834R</b>  <p>mini/S                  A = 12 cm / 4,7 in                  B = 8-10 cm / 3,1-3,9 in                  C = 9 cm / 3,5 in</p>	<b>834N</b>  <p>mini/S                  A = 12 cm / 4,7 in                  B = 4 cm / 1,5 in                  C = 14 cm / 5,5 in</p>	<b>824</b>  <p>A = 16 cm / 6,2 in                  B = 38 cm / 14,9 in                  C = 53 cm / 20,8 in                  D = 64 cm / 25,1 in</p>