

DISTRIBUTOR/AGENT:	DATE OF ORDER:
	DATE OF DELIVERY:
	NAME OF THE ADRESSEE/USER:



### FEATURES

- **Frame** painted with non-toxic epoxy powders. Compact and adjustable in height - to allow access to different table tops and work surfaces - thanks to the gas spring for the adjustment with the child seated. The **international height adjustment patented system**, typical of the "GRILLO product family", allows for a compact, space-saving base while offering a wide range of height adjustments.
- Grillo Adaptive Seating has a very **breathable, comfortable, durable, easy to wash and quick to dry** fabric, composed by:
  - » Load-bearing upholstery, not removable: the essential design texture allows excellent breathability that **reduces sweating and bacteria formation**. The composition of the fabric allows easy sanitation and washing with quick drying times. The texture maintains the performance even at high loads and it has **self-supporting effect**. It is **fire retardant** according to reaction to fire Class 1 (non-flammable combustible materials) according to the MD of 26th June 1984 and subsequent amendments and additions.
  - » Removable cover is made by very breathable and high quality material both internally and externally. The inner padding has a **highly innovative leading edge structure**, that is three-dimensional, **lightweight**, providing extremely high air circulation, **optimal weight distribution** and excellent comfort. The external fabric is **highly resistant to abrasion** too. **Fire retardant** according to EN 1021-1:2014 and EN 1021-2:2014 standards.
- **Backrest** adjustable in height and tilt thanks to gas spring. Foldable for transport.
- Soft **armrests**, adjustable in height and tilt.
- **Multadjustable padded pelvic side supports** for greater containment. Adjustable in width, rotation and depth.
- **Safe adjustments without any risk of losing the screw.**
- **Seat** tilted by gas spring; adjustable in depth and width thanks to padded pelvic side supports.
- **Pelvic belt 947** provided as standard.
- **Legrest** adjustable in height and tilt with physiological fulcrum, such as to make the adjustment comfortable. Adjustable in depth with the seat.
- **Calf rests** adjustable in height and depth.
- **Footrests** tilting and adjustable in flexion-extension.
- **Twin solid wheels**, 75 mm swiveling, all equipped with parking brakes.

Marked

Attention!  
Read carefully the user and maintenance manual

### Please check off the interested products



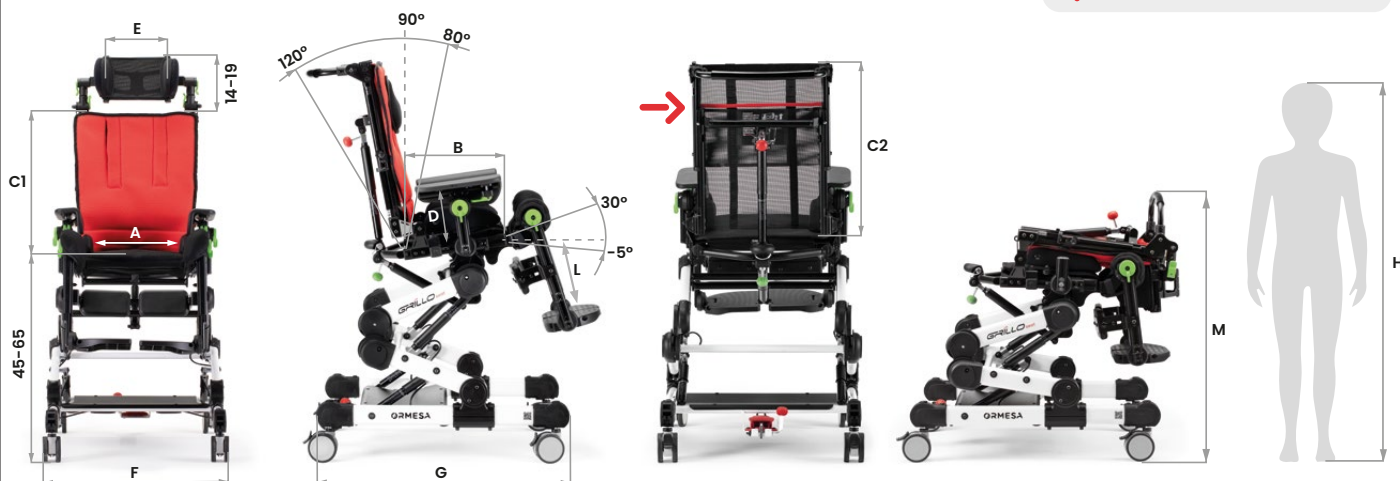
Backrest upholstery colour:

Frame colour: **white**





### measures table with and without postural headrest


With the external headrest 863 don't raise the backrest above the red line.



	A	B	C1	C2	D	E	F	G	L	M	Tot. weight	Max. load	User height(H)
<b>Small</b>	20-30 cm	20-30 cm	35-47 cm	35-60 cm	15-20 cm	17 cm	53 cm	65 cm	20-31 cm	68 cm	22,6 kg	35 kg	90-120 cm
	7,8-11,8 in	7,8-11,8 in	13,7-18,5 in	13,7-23,6 in	5,9-7,8 in	6,6 in	20,8 in	25,5 in	7,8-12,2 in	26,7 in	49,8 lb	77,1 lb	35,4-47,2 in


TO BE COMPLETED WITH THE HEADREST

<input type="checkbox"/> <b>865 Padded headrest</b> adjustable in height. 	<input type="checkbox"/> <b>835 Padded, shaped and containing headrest</b> adjustable in height. 	<input type="checkbox"/> <b>863 Postural headrest</b> adjustable in height, tilt and depth. 
--	---	--

 If the headrest model is not selected, the high chair will be sent with the simpler 865 model.

ADDITIONAL COMPONENTS

<input type="checkbox"/> <b>947 Pelvic belt with variable angle</b> (provided as standard) <input type="checkbox"/> mini <input type="checkbox"/> S 	<input type="checkbox"/> <b>920 Four point pelvic belt</b> 	<input type="checkbox"/> <b>838 Trunk side supports</b> Adjustable in height, width and transversally. <input type="checkbox"/> mini <input type="checkbox"/> S 	<input type="checkbox"/> <b>868 Wrappable and flexible trunk supports</b> Adjustable in height, width and transversally. <input type="checkbox"/> mini <input type="checkbox"/> S 	<input type="checkbox"/> <b>961 Elbow side supports</b> 
<input type="checkbox"/> <b>853 Vest harness</b> <input type="checkbox"/> mini <input type="checkbox"/> S 	<input type="checkbox"/> <b>834R Adjustable abduction block</b> in depth and abduction. 	<input type="checkbox"/> <b>834N Narrow abduction block</b> 	<input type="checkbox"/> <b>824 Tray with wrap-around recess</b> Adjustable in depth, height and tilt with armrests. 	<input type="checkbox"/> <b>960 Heelrests</b> 

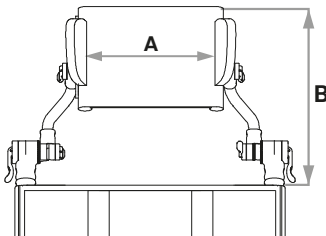
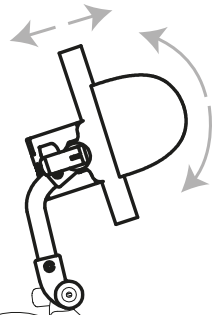
<input type="checkbox"/> <b>962 Footrests + Heelrests</b> 
--

Notes: \_\_\_\_\_  
 \_\_\_\_\_  
 \_\_\_\_\_  
 \_\_\_\_\_  
 \_\_\_\_\_

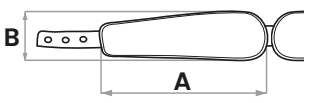
COMPONENTS MEASURES

**863**

A = 17 cm / 6,6 in  
 B = 13-19 cm / 5,1-7,4 in

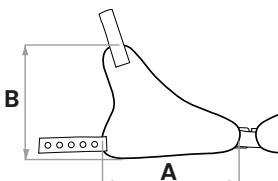
**947**



mini  
 A = 16 cm / 6,2 in  
 B = 5 cm / 1,9 in

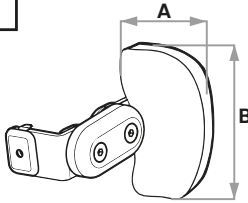
small  
 A = 19 cm / 7,4 in  
 B = 6 cm / 2,3 in

**920**



small  
 A = 16 cm / 6,2 in  
 B = 15,5 cm / 6,1 in

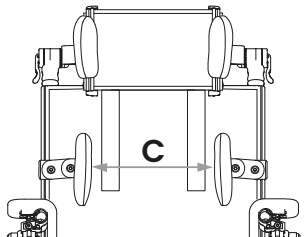
**838**



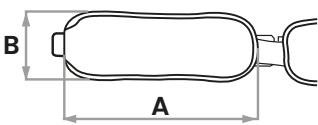
mini  
 A = 9 cm / 3,5 in  
 B = 11 cm / 4,3 in

small  
 A = 10 cm / 3,9 in  
 B = 13 cm / 5,1 in

C = 19-25 cm / 7,4-9,8 in



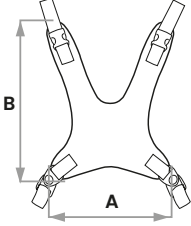
**868**



mini  
 A = 23 cm / 9 in  
 B = 9 cm / 3,5 in

small  
 A = 26 cm / 10,2 in  
 B = 9 cm / 3,5 in

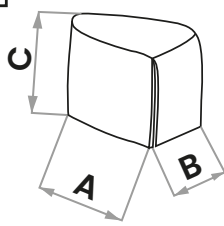
**853**



mini  
 A = 20,5 cm / 8 in  
 B = 28 cm / 11 in

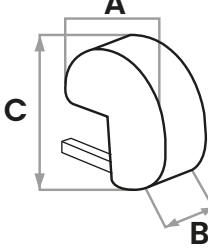
small  
 A = 25 cm / 9,8 in  
 B = 34 cm / 13,3 in

**834R**



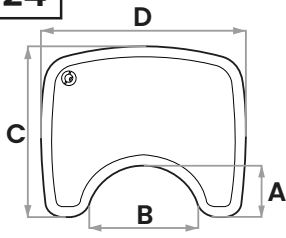
mini/S  
 A = 12 cm / 4,7 in  
 B = 8-10 cm / 3,1-3,9 in  
 C = 9 cm / 3,5 in

**834N**



mini/S  
 A = 12 cm / 4,7 in  
 B = 4 cm / 1,5 in  
 C = 14 cm / 5,5 in

**824**



A = 16 cm / 6,2 in  
 B = 38 cm / 14,9 in  
 C = 53 cm / 20,8 in  
 D = 64 cm / 25,1 in