

DISTRIBUTOR/AGENT:	DATE OF ORDER:
	DATE OF DELIVERY:
	NAME OF THE ADDRESSEE/USER

**F  
E  
A  
T  
U  
R  
E  
S**

- **Adjustable Trolli** is available in three sizes.
- **Frame:** light and umbrella folding system, in aluminium. It is painted with non-toxic epoxy powders. When folded Adjustable Trolli is compact and it allows you to carry it as if it was a travel trolley.
- **Headrest** adjustable in height, tilt and backward-forward. It closed with the stroller, there is no need to remove it.
- **Push handles** with **manual and parking brakes**.
- Resistant and durable **Backrest** guaranteed by the cross on the back. Reclinable on three positions and easily adjustable in height.
- Slightly tilted **Seat**. It is adjustable in depth and width thanks to padded pelvic side supports (additional components 958). The cross below ensures stability, comfort and durability.
- Extremely breathable **Upholstery** (not removable). It is resistant and easily washable. **Fire Retardant** according to *EN 1021-1:2014 and EN 1021-2:2014*.
- User manual **Bag** and wrench on the back of the backrest.
- **Legrest** adjustable in height. Elevatable and swivel **Footrests**, without encumbrance.
- **Front** solid swiveling **Wheels** 17 cm (7 in) for size 36 and 40; 20 cm (8 in) for size 43.
- **Rear** solid **Wheels** with **independent drum brakes**, 25 cm (10 in). for size 36 and 40; 30 cm (12 in) for size 43. **Overcoming step bar** on both wheels.

with adjustable headrest included



ISO 7176/19 and ANSI RESNA WC/19



**very breathable and fire retardant upholstery**



Marked **CE**



Attention! Read carefully the user and maintenance manual

**Please check off the interested products**



**M  
E  
A  
S  
U  
R  
E  
S**

Size: Upholstery colour: Frame colour: **Black**

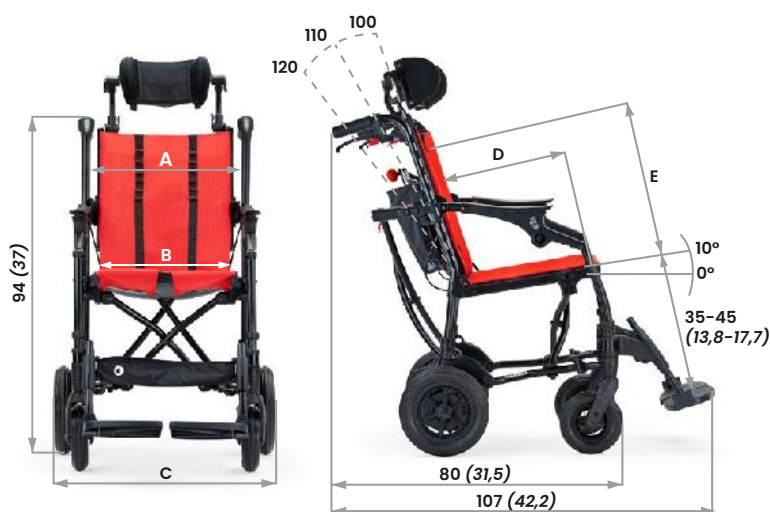
size 36

Red

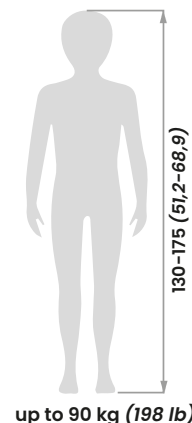
size 40

Black

size 43



Unit of Measurement: cm (in); kg (lb)



	A	B	C	D	E	F	G	Tot. weight
size 36	39 (15,4)	36 - 32 - 28 * (14,2 - 12,6 - 11 *)	59 (23,2)	36-46 (14,2-18,1)	46-56 (18,1-22)	42 (16,5)	94 (37)	15,1 (33,2)
size 40	43 (16,9)	40 - 36 - 32 * (15,7 - 14,2 - 12,6 *)	63 (24,8)	36-46 (14,2-18,1)	46-56 (18,1-22)	46 (18,1)	94 (37)	16,1 (35,4)
size 43	46 (18,1)	43 - 39 - 35 * (16,9 - 15,4 - 13,8 *)	66 (26)	36-46 (14,2-18,1)	46-56 (18,1-22)	46 (16,5)	97 (38,1)	17,1 (37,6)

\* using the 958 padded pelvic side supports the width is reduced by 4 cm (1,6 in) or 8 cm (3,2 in) removing the internal padding.  
 36-40-43 cm (14,2-15,7-16,9 in) width without padded pelvic side supports.

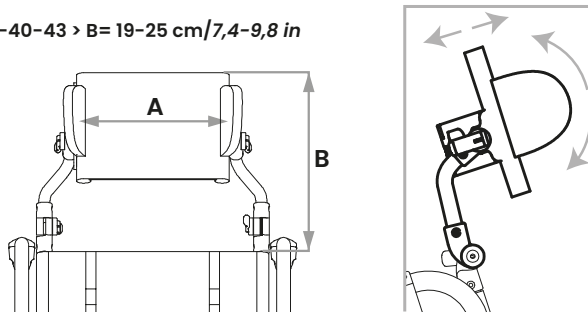


COMPONENTS MEASURES

#### 863

Size 36 > A= 15 cm/5,9 in  
 Size 40 > A= 15 cm/5,9 in  
 Size 43 > A= 19 cm/7,4 in

Size 36-40-43 > B= 19-25 cm/7,4-9,8 in



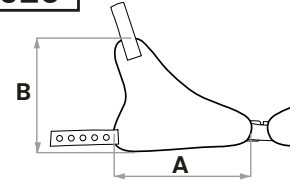
#### 947



small  
 A=19 cm/7,4 in  
 B=6 cm/2,3 in

medium  
 A=25,5 cm/10 in  
 B=8 cm/3,1 in

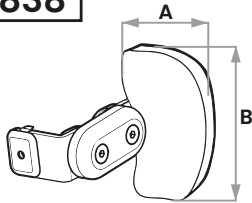
#### 920



small  
 A=16 cm/6,2 in  
 B=15,5 cm/6,1 in

medium  
 A=23 cm/9 in  
 B=19 cm/7,4 in

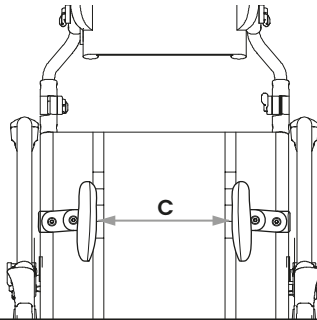
#### 838



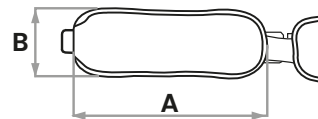
small  
 A=10 cm/3,9 in  
 B=13 cm/5,1 in

medium  
 A=11 cm/4,3 in  
 B=17 cm/6,6 in

Size 36 > C= 16-23 cm/6,2-9 in  
 Size 40 > C= 22-29 cm/8,6-11,4 in  
 Size 43 > C= 24-31 cm/9,4-12,2 in

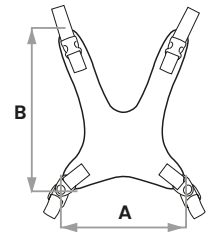


#### 868



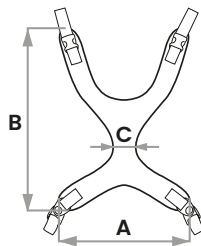
small  
 A=26 cm/10,2 in  
 B=9 cm/3,5 in

#### 853



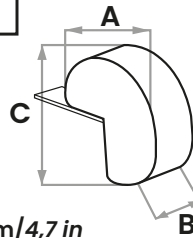
small  
 A=25 cm/9,8 in  
 B=34 cm/13,3 in

#### 853 slim



medium  
 A=33 cm/12,9 in  
 B=46 cm/18,1 in  
 C=5 cm/1,9 in

#### 834N



mini/s  
 A=12 cm/4,7 in  
 B=4 cm/1,5 in  
 C=14 cm/5,5 in

medium  
 A=15 cm/5,9 in  
 B=4 cm/1,5 in  
 C=17 cm/6,6 in