

NAME: _____

PHONE: _____

SCHOOL/ORGANIZATION: _____

E-MAIL: _____

DEALER/REP: _____

SALES REP: _____ QUOTE: _____



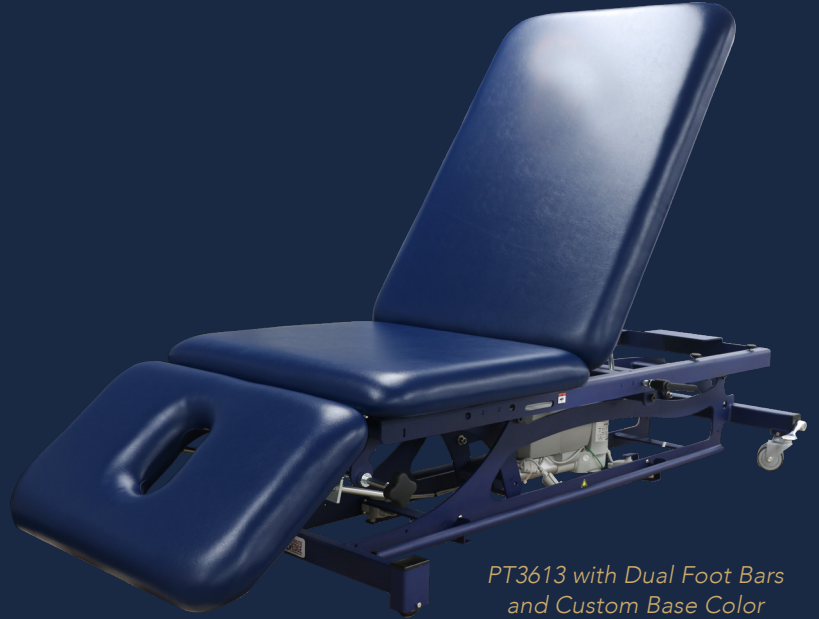
Ease of use, multiple options and a sleek but durable design make the Thera-P Bariatric line of electric treatment tables the choice of therapists everywhere. Four top options and two top widths allow therapists to choose the table that best meets their needs and that ensures patients' most comfortable positioning. The Thera-P Bariatric Electric Treatment Table is constructed of precision-cut flat and tube steel for durability and style. It also has a whisper-quiet lift system with elevating foot pedal.

STANDARD FEATURES:

- Load Capacity: 650 lbs.
- 34" or 36"W x 77"L x 17-35"H
- Durable and stylish steel base (PT9020/PT9028)
- White powder coat base
- Whisper quiet lift system with single foot control pedal
- Height adjustment: 17-35"
- 34" or 36" Wide cushions in 4 different configuration options
- 2" High density foam cushions with rounded corners
- Low profile locking casters
- Head section angle range: +40° to -90°
- Lower extremity angle range: 0 to 65°
- Armrest horizontal range: 0 to 45°
- Armrest vertical range: 0 to 7"
- ADA Compliant

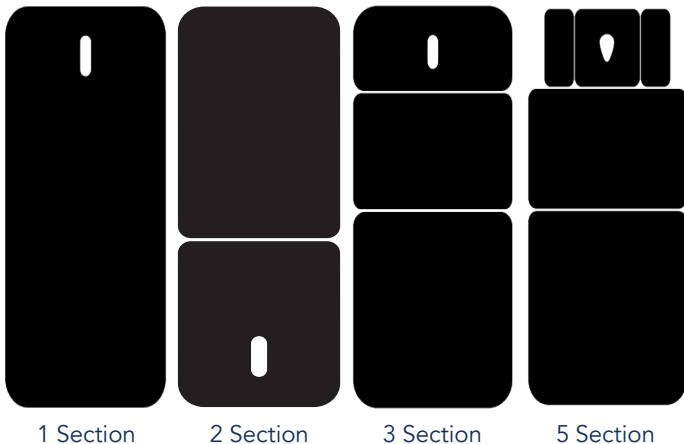
NOTE: International (240V) option available

Thera-P™ Bariatric
ELECTRIC TREATMENT TABLE



PT3613 with Dual Foot Bars and Custom Base Color

TABLE CONFIGURATIONS:



- | | | | |
|---|---|---|---|
| <input type="checkbox"/> PT3011
1 Section
34" Width
Qty _____ | <input type="checkbox"/> PT3012
2 Section
34" Width
Qty _____ | <input type="checkbox"/> PT3013
3 Section
34" Width
Qty _____ | <input type="checkbox"/> PT3015
5 Section
34" Width
Qty _____ |
| <input type="checkbox"/> PT3611
1 Section
36" Width
Qty _____ | <input type="checkbox"/> PT3612
2 Section
36" Width
Qty _____ | <input type="checkbox"/> PT3613
3 Section
36" Width
Qty _____ | <input type="checkbox"/> PT3615
5 Section
36" Width
Qty _____ |

TABLE FEATURES:

PT3011
or
PT3611



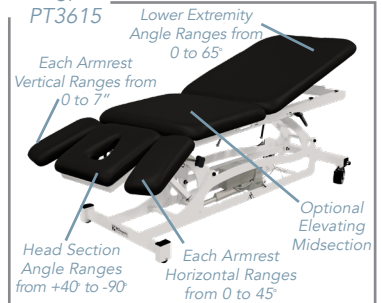
PT3012
or
PT3612



PT3013
or
PT3613



PT3015
or
PT3615

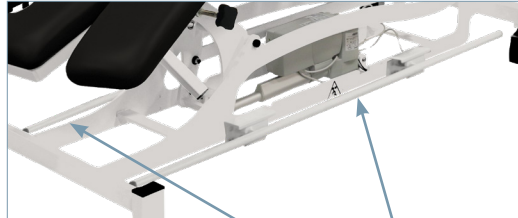


OPTIONS:

- PT9021** - 650 lb Lifting Capacity
- S1077** - Dual Foot Control Pedal
- S1135** - Manual Elevating Midsection (Only available on PT3013, PT3015, PT3613, & PT3615)
- S1078** - Dual Foot Bar Control
- S2078** - Dual Foot Bar Control with Front Foot Bar Adder
- PT10001** - Nose Hole Plug
- S1151** - Battery
- S1152** - Battery with Extra Battery and Wall Charger



Dual Foot Control Pedal (x2) (S1077)



Dual Foot Bar Control (S1078)



Manual Elevating Midsection (S1135)

STANDARD UPHOLSTERY CHOICES:

- | | |
|--|--|
| <input type="checkbox"/> Royal Blue | <input type="checkbox"/> American Beauty |
| <input type="checkbox"/> Imperial Blue | <input type="checkbox"/> Lark |
| <input type="checkbox"/> Blue Ridge | <input type="checkbox"/> Burgundy |
| <input type="checkbox"/> Deep Violet | <input type="checkbox"/> Dove |
| <input type="checkbox"/> Forest | <input type="checkbox"/> Charcoal |
| <input type="checkbox"/> Black | <input type="checkbox"/> Mocha |
| <input type="checkbox"/> Mandarin Orange | <input type="checkbox"/> Putty |

STANDARD BASE COLORS:

- White

CUSTOM BASE COLORS:

- | | |
|-------------------------------------|---------------------------------------|
| <input type="checkbox"/> Black | <input type="checkbox"/> Green |
| <input type="checkbox"/> Light Gray | <input type="checkbox"/> Forest Green |
| <input type="checkbox"/> Charcoal | <input type="checkbox"/> Purple |
| <input type="checkbox"/> Royal Blue | <input type="checkbox"/> Yellow |
| <input type="checkbox"/> Navy Blue | <input type="checkbox"/> Orange |
| <input type="checkbox"/> Red | <input type="checkbox"/> Brown |
| <input type="checkbox"/> Burgundy | <input type="checkbox"/> Bright Blue |

CUSTOM BASE OPTIONS:

- S1178**
Table Base Graphics
- PT9020-CC**
Pick Custom Base Color
- S2000**
Custom Table Base Powder Coat Color and Table Base Graphics

