

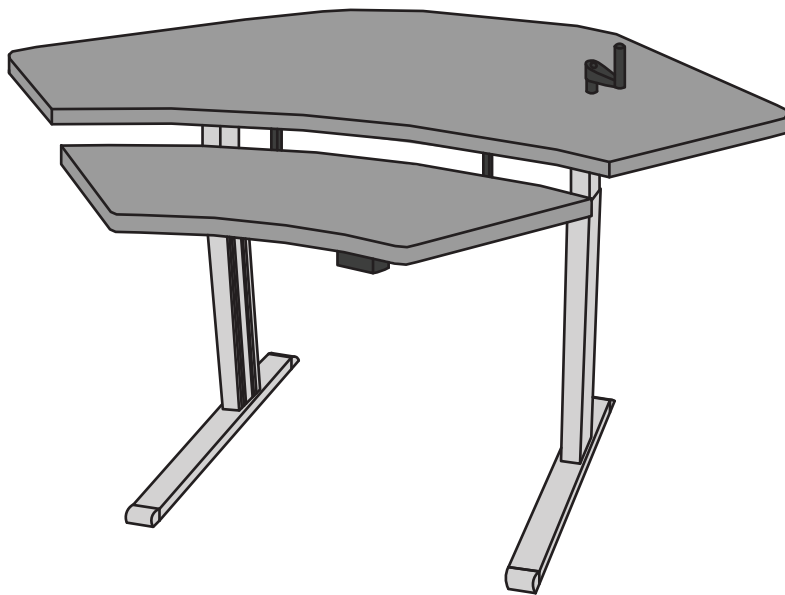


**POPULAS**

*furniture by AD·AS*

**EQUITY CORNER BI-LEVEL WITH KEYBOARD LIFT**

Bi-level workstation with hand-crank adjustment



An ergonomic workstation with a clean modern look, smooth hand-crank adjustment, and variable sit-to-stand height adjustment.

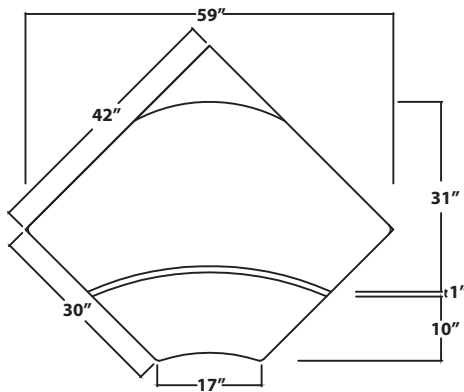
**FEATURES:**

- Front and rear worksurfaces adjust independently for optimal ergonomics, individual positioning, or multi-user environments
- Easy to turn hand-crank adjusts rear worksurface
- Lift-N-Lock front surface
- Durable laminate top

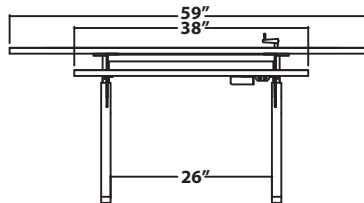
**TECHNICAL DATA:**

- Standard dimensions: 59" X 42"
- Hand-crank rear surface vertical adjustment range 24"-38", 7 cranks per inch
- Front surface adjustment range 20" - 45" (4" below, 7" above rear surface), with 15° +/- tilt
- 14 gauge steel feet coated in Graphite Silver powdercoated finish
- Anodized aluminium telescoping legs
- Front surface load 50 lbs
- Rear surface load 200 lbs

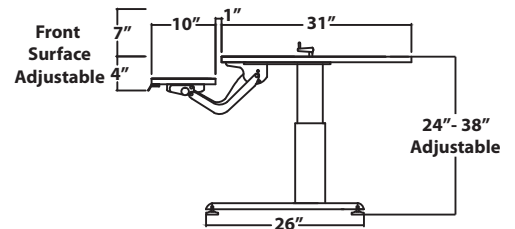
MODEL	FRONT/REAR DIMENSIONS	OVERALL DIMENSION	ADJUSTMENT RANGE	REAR START/END HEIGHT	LEG SPAN
EQ 4230 CKBL	38" X 10" 59" X 31"	59" X 42"	14"	24", 38"	28"



Top View



Front View



Side View