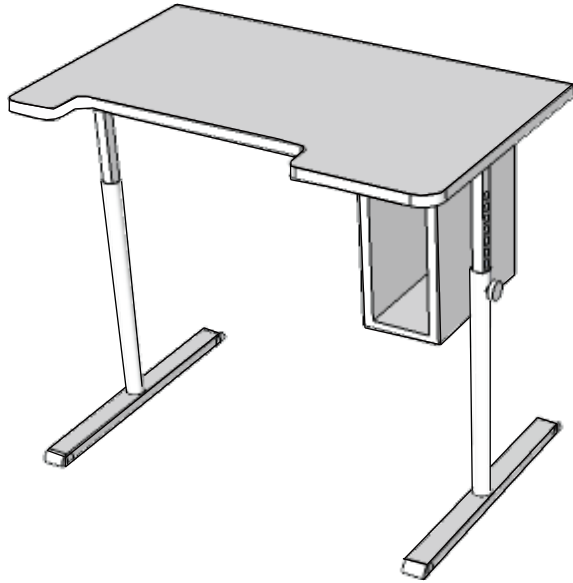




KA-4024CR
Adjustable desk with storage



Personal adjustable tilting worktable provides adjustability for individual positioning or multi-user environments.

FEATURES:

- Standard tabletop construction with durable laminate finish and vinyl edge
- Steel column with durable powder coat finish
- Custom designed extruded metal columns provide precision movement for fast, simple knob-adjustment
- 4 adjustable base levelers
- Adjustable pencil stop

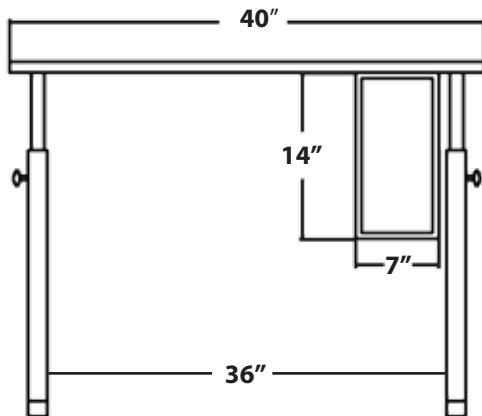
TECHNICAL DATA:

- Standard table dimensions: 40" x 24"
- Comfort curve dimensions: 19"W x 5"D
- Storage box dimensions: 14"H x 7"W x 14"D
- Vertical adjustment capability: 10"
- Standard base color: Almond, or Graphite Silver

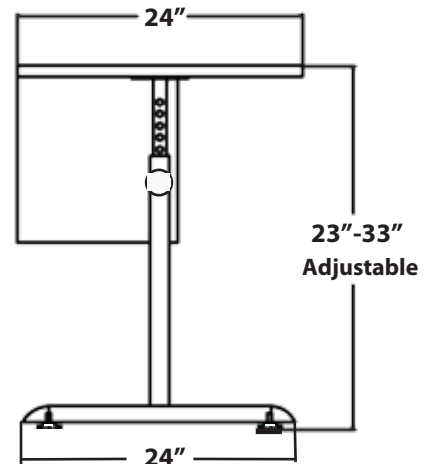
OPTIONAL ACCESSORIES:

- ADA signage
- Casters for mobility

MODEL	DIMENSIONS	ADJUSTMENT RANGE	START/END HEIGHT	LEG SPAN
KA-4024CR	40" X 24"	10"	23", 33"	36"



Front View



Side View