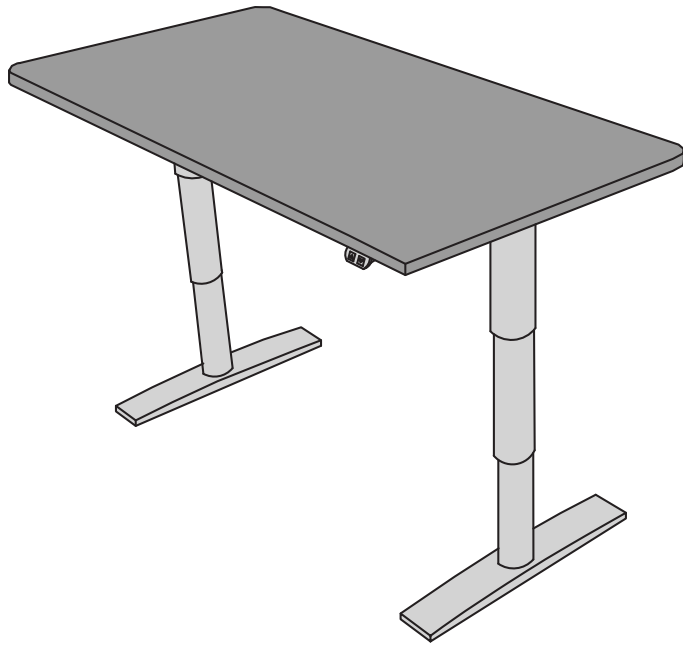




POPULAS
furniture by AD·AS

VOX™ SERIES
Motorized, height adjustable table



Computer workstation features smooth, quiet motorized adjustment with extra-low and extra-high height range. The Vox™ series is designed without a cross brace enabling maximum knee space.

FEATURES:

- Single surface table with vertical height adjustment for individual positioning or multiple user environments
- Push-button motorized adjustment throughout the specified range
- Push-button controls can be mounted on either side of table
- Durable laminate top or real wood veneer

TECHNICAL DATA:

- See chart for standard dimensions
- Custom workstation top sizes and finishes available
- Vertical adjustment range 24" - 50"
- System operates on standard 110V, electric motor UL listed
- Extruded aluminum telescoping legs
- Base finish Graphite Silver
- Load capacity 265 lbs

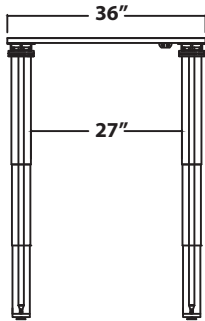
MODEL	DIMENSIONS	ADJUSTMENT RANGE	START/END HEIGHT	LEG SPAN
VX 3624	36" X 24"	26"	24", 50"	27"
VX 3630	36" X 30"	26"	24", 50"	27"
VX 4824	48" X 24"	26"	24", 50"	36"
VX 4830	48" X 30"	26"	24", 50"	36"
VX 6024	60" X 24"	26"	24", 50"	41"
VX 6030	60" X 30"	26"	24", 50"	41"



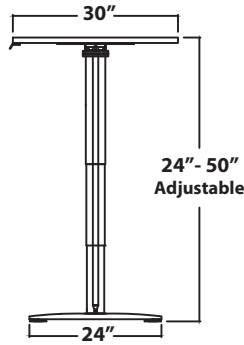
POPULAS
furniture by AD·AS

VOX SERIES
Dimension page

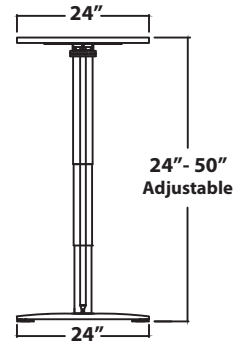
VX 3630 and VX 3624



Front View

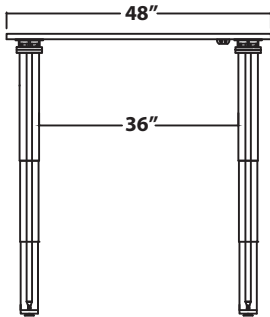


Side View

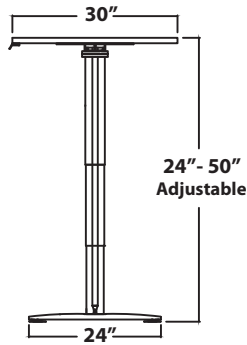


Side View

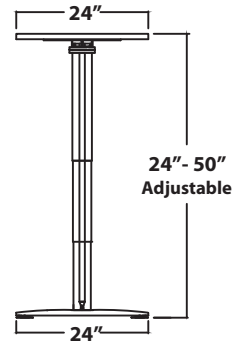
VX 4830 and VX 4824



Front View

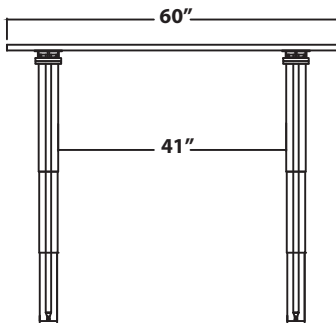


Side View

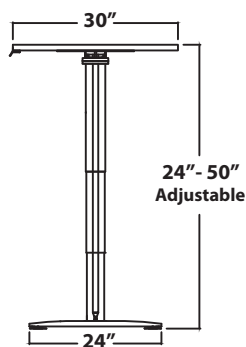


Side View

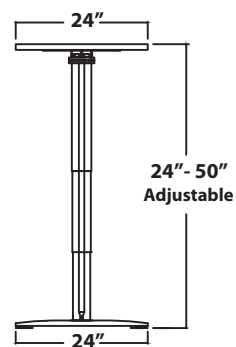
VX 6030 and VX 6024



Front View



Side View



Side View