

OWNER'S MANUAL

PRODUCT PHOTO
FITTING & ADJUSTING
Standard Items
FITTING & ADJUSTING
Options and Accesories
DAILY USAGE
TRANSFER INFORMATION
WARRANTY

Symmetry *Symmetry Youth* Solid Seat Standing System

Manufactured By

Prime Engineering

A Division of Axiom Industries, Inc.

*Standing the Test of Time for Over 20 Years
1984-2004*



Specialists in Adult and Pediatric Standing

Symmetry Solid Seat Standing System

Symmetry
Standard
Configuration*



Symmetry
Standard Unit*
Open for Easy Transfer



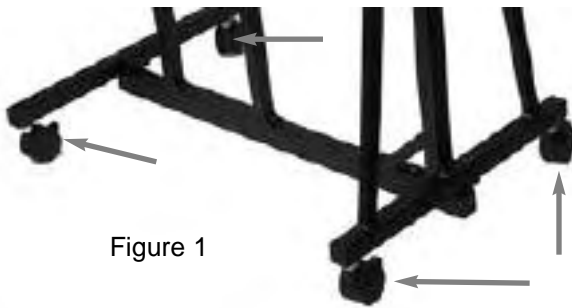


Figure 1

Base:

Symmetry's sturdy steel base allows for maximum stability with minimal space required. Open frame design allows wheelchair or transfer equipment to get in close.

Roll the frame to its desired location and lock all 4 caster wheels (Figure 1).



Figure 2

*Standard **Symmetry** Adjustments:*

The table top, chest, knee and footpads should be set so that the body is properly aligned (straight) while in the standing position. (Figure 2) Support pads have multiple adjustments for maximum support and comfort.

Tabletop:

Tray Height Adjustment:

Loosen one of the two rosette knobs on the tray upright poles (Figure 3). Caution: *As you loosen the knob on the other side securely hold onto the tray assembly so that it does not drop.* Raise or lower the tabletop assembly to the desired height and tighten both of the rosette knobs making sure they secure the tray at the desired height (Figure 4).



Figure 3



Figure 4

Caution: Consult your Physician or Therapist before using your **Symmetry** Standing System. DO NOT use your **Symmetry** before becoming thoroughly familiar with all the safety warnings and instructions. Consult a Physician or Therapist to determine the proper adjustments for your **Symmetry**. Take the time and do it right.

Symmetry

FITTING AND ADJUSTMENT

Symmetry Youth

STANDARD CHEST PAD



Figure 5

Height Adjustment:

Loosen the two black adjustment knobs on the back of the pad (Figure 5). Slide up or down to the desired height and tighten the adjustment knobs (Figure 6).

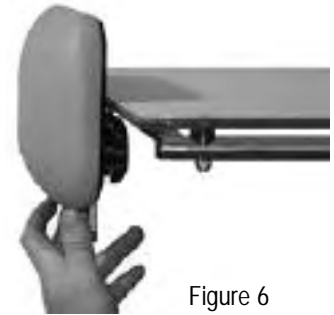


Figure 6

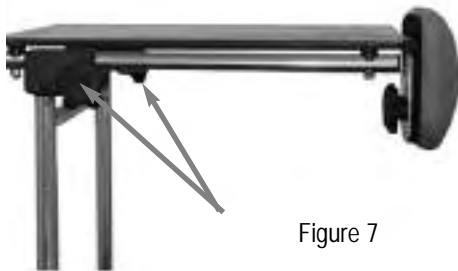


Figure 7

Depth Adjustment:

Loosen the two knobs on the sides of the tray (Figure 7) and slide the tray front or back to the desired position and tighten both knobs (Figure 8).

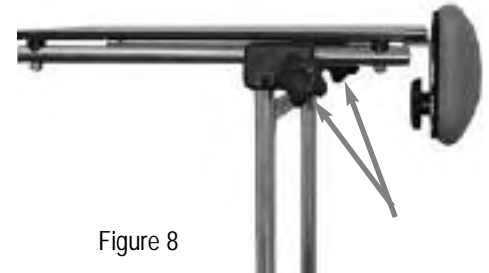


Figure 8

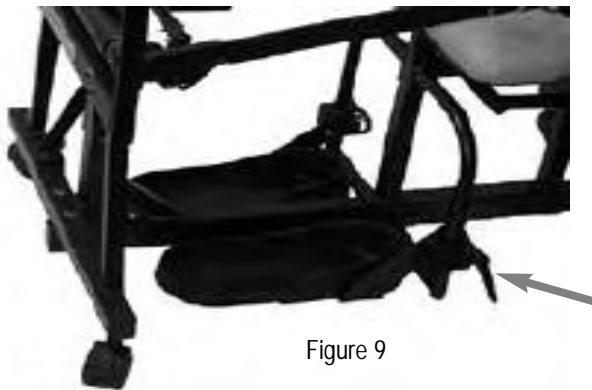


Figure 9

Shoe Holders: (Standard)

Loosen the ratchet knob on the side of the foot support mounting block to adjust the height, angle and rotation of the shoe holder (Figure 9). Place it in the appropriate position and firmly tighten the ratchet knob to hold the shoe holders in place. Properly adjusted the foot will be fully supported with the leg level on the seated surface.

Knee Pad: (Standard)

Loosen the black adjustment knobs on the back of the knee support, slide pad front or back to the desired position and tighten both knobs securely (Figure 10). For entry into the system, simply flip the pads up for clearance. Once seated all the way back on the seat, flip the pad down making sure there is a snug fit at the knees. If height adjustment is needed, remove the attaching screws on the back of the pad, move the bracket to the desired location and re-attach with the screws. Flip the pad over in the mounting bracket for additional adjustment.

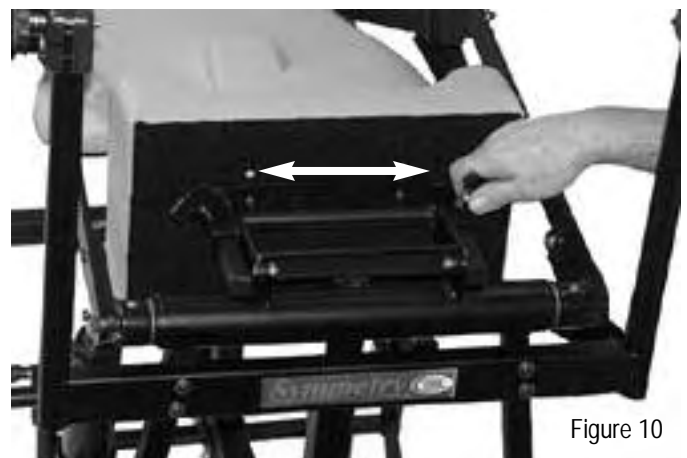
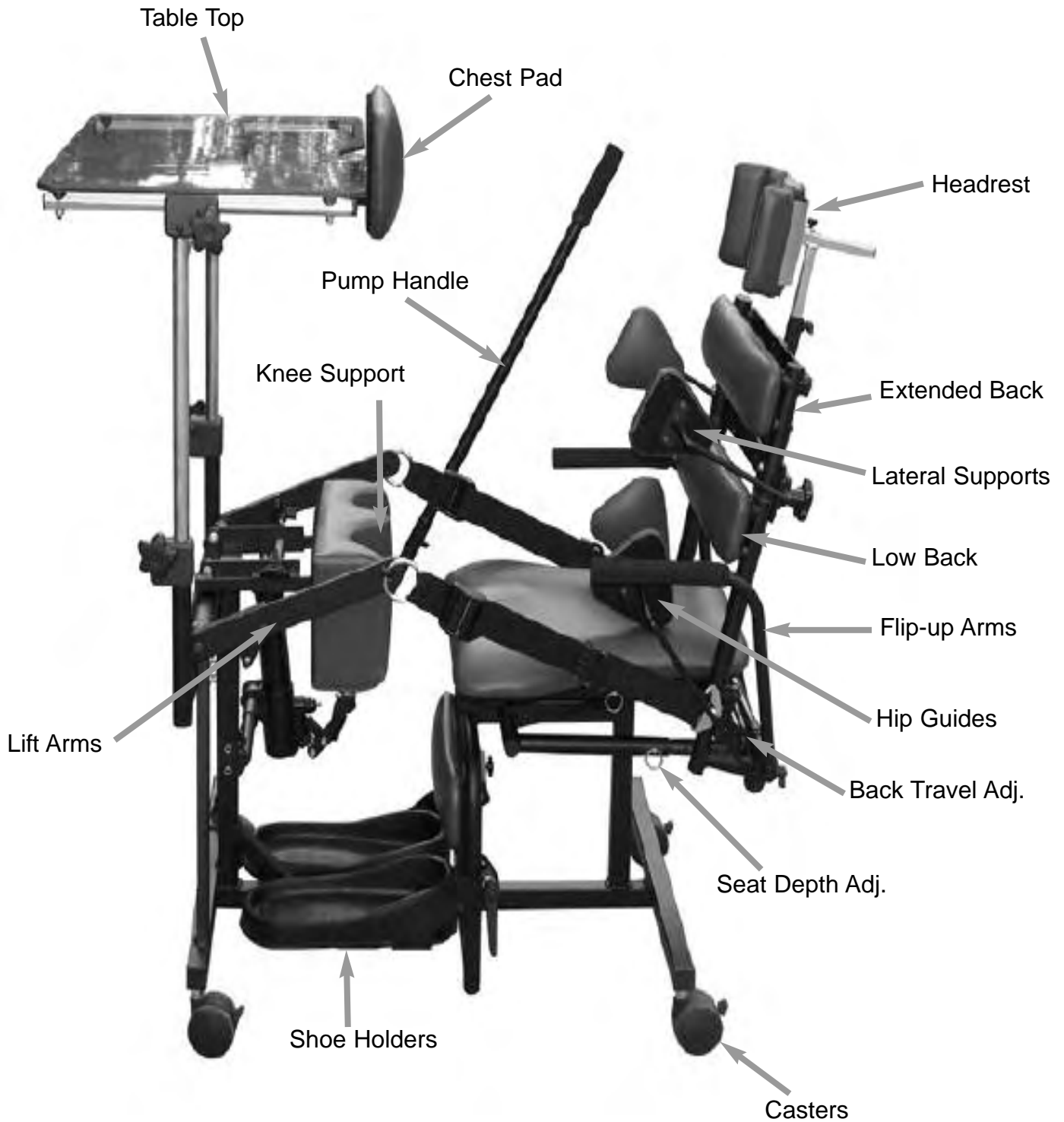


Figure 10

Caution: Consult your Physician or Therapist before using your Symmetry Standing System. DO NOT use your Symmetry before becoming thoroughly familiar with all the safety warnings and instructions. Consult a Physician or Therapist to determine the proper adjustments for your Symmetry. Take the time and do it right.

Symmetry Solid Seat Standing System

Options and Accessories Fitting and Adjustments



Symmetry shown with multiple optional items. Your unit may or may not have the items shown. Picture is for illustration purposes only.

Options and Accessories

(Continued)

Back Installation:



Figure 11

Attaching The Back Assembly:

When you receive your **Symmetry** the back assembly is packed separately and laying on the seat of the unit (Figure 11). Remove that assembly and locate the back assembly as shown (Figure 12).



Figure 12



Figure 13

Attach The Back Assembly:

Align the back assembly onto the back inner upright tubes that are at the rear of the seat (Figure 13). Slide the back down onto the inner tubes (Figure 14).



Figure 14



Figure 15

Install The Back Linkage:

Locate the link on the back of the outer back tube and locate it to one of the holes on the triangular plate at the bottom of the inner back tube (Figure 15). Locate the link into the hole indicated and tighten the nut bolt and the spacer to complete the assembly (Figure 16). The bolt goes through the outside of the link then through the spacer and the nut goes to the inside of the triangular plate. *Do not over tighten this assembly. Tighten only until snug so that it can pivot as the unit moves from sitting to standing.*



Figure 16

Options and Accessories

(Continued)

Adjusting The Movement Of The Back:

Adjust the amount that the back moves with the client by utilizing the various holes in the trinagular plate and the linkage (Figure 17). Each hole allows the back to move a different amount and is set depending on how much the back needs to move with the client as they stand. See illustration and chart below for the movement of the back.

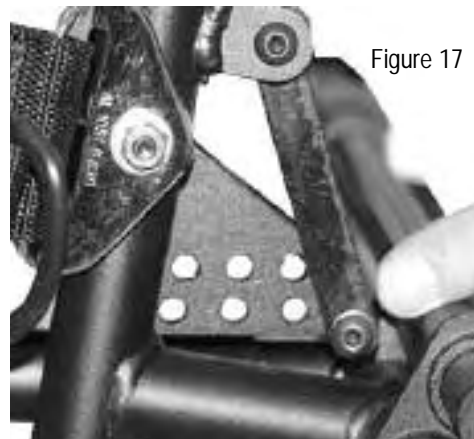
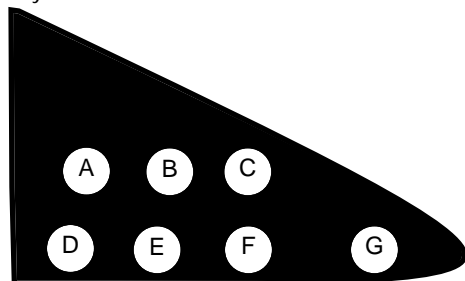


Figure 17



- A = 2.0"
- B = 2.5"
- C = 3.0"
- D = 3 1/8"
- E = 3"
- F = 2 5/8"
- G = 4 1/8"

Seat Depth Adjustment:

Increasing the Seat Depth

The seat depth on a **Symmetry** System adjusts from 15" to 20" in depth, in one inch increments, to accommodate multiple heights of clients. Adjustment is done under the seat with four pull pins under the seat (two on each side). To increase the seat depth, pull the top two pins from the upper horizontal seat tubes (Figure 18). Pull the top of the back to recline it (Figure 19). Align the holes in the upper horizontal seat tubes for the depth that you want and insert the two pins back through each seat tube.

After inserting the top two pins in the upper seat tubes, pull and remove the two pins from the lower horizontal seat tubes (Figure 18). Push the back assembly until it is in its normal seated position. Align the holes in the lower horizontal seat tubes and re-insert the pin to complete the adjustment.

Decreasing the Seat Depth

Begin by pulling the pins from the two lower horizontal seat tubes (Figure 18). Pull the top of the back assembly so that it reclines which will shorten the lower horizontal seat tubes (Figure 19). Align the holes in the lower seat tubes to the depth that you want and re-insert the two pins back through each seat tube.

After inserting the two pins in the lower seat tubes, pull and remove the two pins from the upper horizontal seat tubes (Figure 18). Push the back assembly until it is in its normal seated position. Align the holes in the upper horizontal seat tubes and re-insert the pin to complete the adjustment.

Note: Pins must be in the same hole location on the top and bottom tubes for the unit to operate correctly.



Figure 18



Figure 19

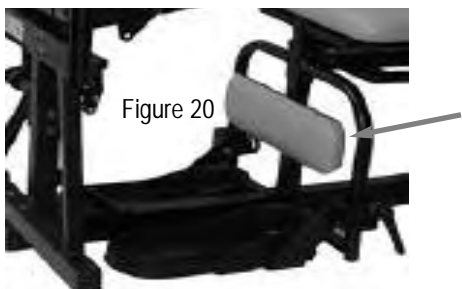


Figure 20

Calf Panel: (Optional Item)

To adjust the height loosen the small knob on the back of the assembly, move it to the desired position and tighten the knob. Place it where it will keep the lower extremities from pulling under the seat and to improve lower leg alignment (Figure 20).

(Continued)

Individually Adjustable Knee Pads: (Optional Item)

Position either pad forward or backward with the black knob at the rear of each individual pad (Figure 21). Once this adjustment is done tighten the knob to hold the pad in place. If height adjustment is needed, loosen the attaching screws on the back of the pad, move the bracket to the desired location and firmly re-tighten the screws.



Figure 21



Figure 22

Lateral Supports: (Optional Item)

Loosen the locking knob on the back of the unit (Figure 22). Move the lateral support into the desired position and re-tighten the knob (Figure 23).



Figure 23

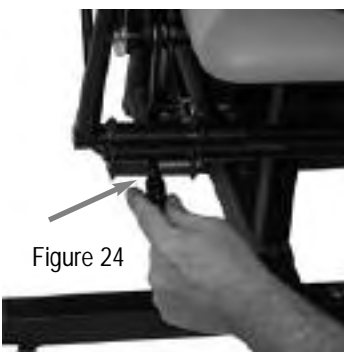


Figure 24

Hip Guides: (Optional Item)

Loosen the ratchet knobs on the lower pivot tubes on the back of the unit (Figure 24). Move the hip guides into the desired position and re-tighten the ratchet knobs (Figure 25).



Figure 25

Headrest: (Optional Item)

Slide the head support pad into the upright adjustment bracket and tighten the small knob to hold it in place at the desired depth (Figure 26A). Slide the upright bracket into the headrest mounting block on the back of the Symmetry and tighten the small black knob to hold it in place at the desired height (Figure 26B).

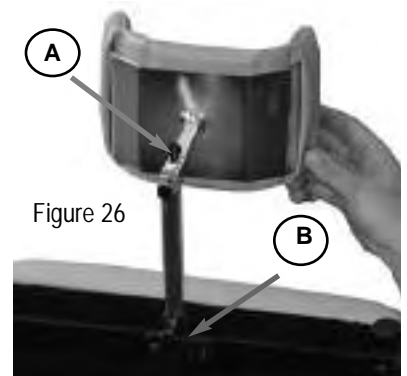


Figure 26

Options and Accessories

(Continued)



Figure 27

Lap Belt: (Optional Item)
Wrap each end of the seat belt around the lower back post as shown (Figure 27). Align the two grommets and install the attachment bolt through the holes and tighten to hold the belt in place (Figure 28).



Figure 28



Figure 29

Insert Velcro tab through the D-ring (Figure 29), fold it back over the webbing to adjust for the size of the client (Figure 30).



Figure 30



Figure 31

Chest Belt: (Optional Item)
Wrap the chest belt around the back tubes placing it in the desired position and adjust with the Velcro closure and D-ring assembly (Figure 31).

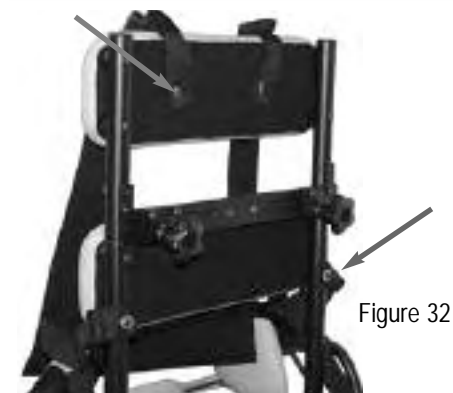


Figure 32

Support Vest: (Optional Item)
Attach the two upper straps to the T-nuts that are in the center of the back pad and under the lower screws in the bottom back pad (Figure 32). *Note: if you are adding this item after delivery you will need to locate the t-nuts and put a small cut in the back material to install it.* Proper installation is shown in Figure 33.



Figure 33



Figure 34

Support Vest: (Optional Item)

To remove or open the vest pull open the Velcro buckle covers on the top strap to expose the Fastex buckles. Adjust or close the buckles then put the covers back in place (Figure 34). For ease of use, the vest has attachment points at all four straps and an over center front entry and exit point (Figure 35). When using the front entry / exit feature make sure the Fastex buckle and strap are closed when the client is in the unit.



Figure 35

DAILY USAGE:***GETTING ON YOUR FEET:***

Symmetry can be used while doing many of your everyday activities such as reading, watching television, eating and studying. Locate your Symmetry in your main areas of activity.

1. Set up and adjust your Symmetry as your therapist has indicated to support you in the best standing position possible. Once these adjustments are done, you should be able to use your standing system without having to change any of the adjustments. You may need to adjust your Symmetry if you grow, have substantial weight change, or if you add other supports.
2. Flip up the lift-arm and the transfer arm on the side you transfer from. Flip back the knee support. Make sure that the casters are locked on the unit so that it does not move as you transfer into it.
3. Transfer into your Symmetry System with the approach that suits you best. On the following pages are examples of two common transfer methods for reference. If you have any questions about the best transfer for you, make sure that you contact your prescribing therapist.
4. Place your feet in the shoe holders and slide your feet to the rear into the heel cups.
5. Flip the knee support down and center your knees into the kneepads. *Note:* Make sure that your knees are in contact with the kneepads before you start to activate the pump.
6. Flip the lift arm down and attach the lifting strap to the lift arm.
7. Pump yourself into an upright standing position. You are in control of the speed and height of raising yourself by operating the handle on the hydraulic pump assembly.
10. Once you are in a fully upright position, your chest and/or abdomen should be in firm and comfortable contact with the chest pad.
11. To lower yourself, move the pump handle completely forward to activate the release. You may stop lowering at any point by moving the pump handle back.

Example #1

Wheelchair Transfer:

Transfer Friendly:

Flip back armrests, flip up lift arm, and flip up knee support allowing maximum space for ease of entry and exit with any type of transfer. Lateral or standing pivot transfers are easily supported without any frame parts in the way.



Place your feet into the frame.



Transfer onto the padded seat.



Position your feet into the shoe holders.



Flip down the knee support.



Flip down the lift arm.



Hook the lifting strap onto the lift arm.



Flip the armrest back into position.



Pump yourself into position.



Finish by bringing yourself into a fully upright weight bearing posture, supported and properly positioned.

Symmetry's open frame design allows you to bring your wheelchair up to the best transfer position for you, keeping your transfer as easy as possible.

Easy Access Frame

Flip up arms, flip up knee supports, flip up lift arms, no tools adjustments, flip back supports, open frame design and lots of area to get your chair in close to the frame allows for easy access to your **Symmetry** unit. As shown a standard **Symmetry** (Configuration A) or a **Symmetry** with positioning assistance (Configuration B) allows maximum space for ease of entry and exit.



(Configuration A)



(Configuration B)

Example #2

Patient Lift Usage

Symmetry's open frame design allows better access to the frame during transfers even when a lifting device is needed. This base design allows for usage with most major styles and brands of lifts without costly and hard to use frame modifications. This open design supplies extra space for getting your lift in close or allowing the attendant or assistant to be able to work closely without the frame interfering.



Using a patient lift with our frame design is easy and does not require any special modification. Just flip the positioning equipment out of the way and move the client to the frame.



The wheels on most patient lifts will fit into our open frame design allowing the client to be placed into the seat quickly and easily. Our open base will accommodate most types and styles of lifts.



Position the client in the center of the seat and lower them into position. Full access to the client in our open design allows you to get them in the best position possible

Effective January 1, 2005

Warranty coverage is extended to the original purchaser for as long as the original purchaser owns the Symmetry Standing System. This warranty is in effect for the Symmetry and the Symmetry Youth (the product) standing frames. Prime Engineering, Inc. ("the Company") shall repair or replace the Product that fails due to defect in material, or workmanship per the following schedule:

Frames: Lifetime to the original purchaser subject to the following terms, limitations and conditions.

Hydraulic Actuator: Two years to the original purchaser subject to the following terms, limitations and conditions.

Straps and Belts: One year to the original purchaser subject to the following terms, limitations and conditions.

Other Components: Upholstery, plastic parts, painted surfaces, rubber parts, casters, bearings, and other parts not specifically identified above, all of which are warranted against defects in material and workmanship for three months from the original purchase date, subject to the following terms and conditions, and limitations.

Warranty Conditions. This warranty shall be in effect from the original purchase date to the consumer. The warranty registration form should be fully completed, signed by the original retail purchaser / user or their agent, and received by Prime Engineering at its address set forth on the registration form no later than three months after the original purchase date. Any defective Product shall be delivered to Prime Engineering, or its local authorized dealer, at purchaser's expense for warranty inspection. Return freight charges shall be prepaid by Prime Engineering.

Limitations and Exclusions. The warranty provided above shall not apply to (a) a serial numbered Product if the serial number has been removed or defaced; (b) any Product subjected to negligence, abuse, misuse, improper operation, maintenance, or storage, or damages beyond Prime Engineering's control, as determined by Prime Engineering; (c) defects arising from purchaser's failure to follow instructions. Any Changes or Additions to the Product or unauthorized parts not manufactured or furnished by Prime Engineering. The repair or replacement by Prime Engineering for a defective Part or Product shall be purchaser's sole and exclusive remedy under the warranty. Repair labor/service charges are not covered by this warranty and are not the responsibility of Prime Engineering.

The foregoing Warranty is exclusive and in lieu of all other warranties, express, implied, or statutory, including warranties of merchantability and fitness for a particular purpose and design. In no event shall Prime Engineering be liable for any consequential or incidental damages.

Some states do not allow limitations on how long an implied warranty lasts or the exclusion or limitations of incidental or consequential damages, so the above limitations or exclusions may not apply to you. This warranty gives you specific legal rights, and you may also have other rights that vary from state to state.

Prime Engineering

A division of Axiom Industries, Inc.

*Standing the Test of Time for Over 20 Years
1984-2004*



Specialists in Adult and Pediatric Standing