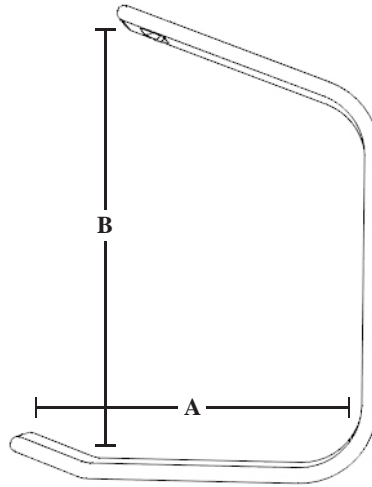


# Leg Support Sizing

Use this as a general sizing guideline when selecting Leg Supports.

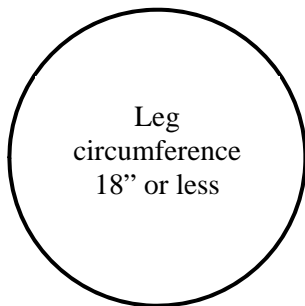


Size:	A	B
Small	5.1" (130mm)	6.3" (160mm)
Medium	7.3" (187mm)	8.9" (227mm)
Large	9.8" (249mm)	12.3" (312mm)

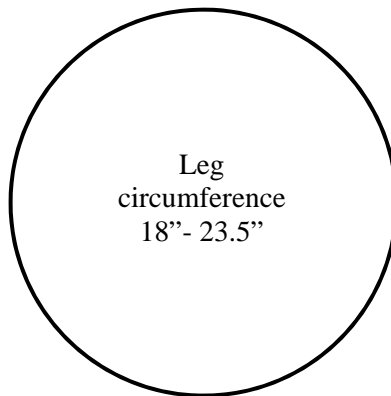
---

## Sizing Guidelines for Independent Lifter Leg Supports

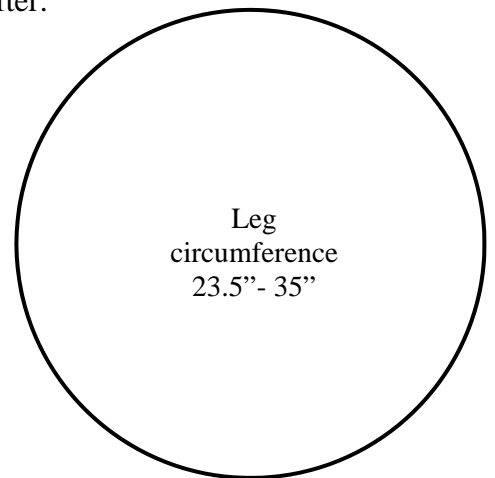
Steps to determine what size Leg Support to order with an Independent Lifter:



**Small**



**Medium**



**Large**