



**Quickie ACCESS**  
**January 2024**

EIR14

|                                                                                                                                                                                                                                                                                                                          |                                                                                                                                                                                                                                                                                                                                                 |
|--------------------------------------------------------------------------------------------------------------------------------------------------------------------------------------------------------------------------------------------------------------------------------------------------------------------------|-------------------------------------------------------------------------------------------------------------------------------------------------------------------------------------------------------------------------------------------------------------------------------------------------------------------------------------------------|
| <b>Mark For:</b><br>Date: _____<br>Dealer Acct #: _____<br>Dealer: _____<br>Dealer Contact: _____<br>Dealer Address: _____<br>Dealer City: _____ ST: _____ ZIP: _____<br>Dealer Phone: ( ) _____ Fax: ( ) _____<br>Confirmation Email: _____<br>Confirm Via: <input type="checkbox"/> Fax <input type="checkbox"/> Email | <b>Submitting for:</b> <input type="checkbox"/> Quote <input type="checkbox"/> Order<br>PO#: _____<br><br><p style="text-align:center"><b>ADDITIONAL SHIPPING INFORMATION</b></p> Ship To: _____<br>Attention: _____<br>Address: _____<br>Address: _____<br>Ship To City: _____ ST: _____ ZIP: _____<br>Ship To Phone: ( ) _____ Fax: ( ) _____ |
|--------------------------------------------------------------------------------------------------------------------------------------------------------------------------------------------------------------------------------------------------------------------------------------------------------------------------|-------------------------------------------------------------------------------------------------------------------------------------------------------------------------------------------------------------------------------------------------------------------------------------------------------------------------------------------------|

*The HCPCS CODES provided are based on code verification through PDAC or our interpretation of the code definitions.  
 The use of HCPCS CODES does not ensure coverage or payment. For coverage information, verify the appropriate payer's coverage policy.*

| ✓ | Option # | HCPCS | Definition | Price | ✓ | Option # | HCPCS | Definition | Price |
|---|----------|-------|------------|-------|---|----------|-------|------------|-------|
|---|----------|-------|------------|-------|---|----------|-------|------------|-------|

**1. FRAME**

| Base Model               |          |       |                                                          |            |
|--------------------------|----------|-------|----------------------------------------------------------|------------|
| <input type="checkbox"/> | 208WM105 | E1161 | Quickie Access<br>14" sizes use E1233                    | \$3,356.00 |
| <input type="checkbox"/> | 208WM110 | E1161 | Quickie Access - Transit included<br>14" sizes use E1233 | \$3,723.00 |

| Transit                  |         |       |                |          |
|--------------------------|---------|-------|----------------|----------|
| <input type="checkbox"/> | 208TO45 | E1161 | Transit Option | \$367.00 |

| Pre-Set Tilt Angle                                          |         |       |                        |    |
|-------------------------------------------------------------|---------|-------|------------------------|----|
| <i>Certain wheel combinations will limit the seat angle</i> |         |       |                        |    |
| <input type="checkbox"/>                                    | 208TA11 | E1161 | -5° to 20° Degree Tilt | NC |
| <input type="checkbox"/>                                    | 208TA12 | E1161 | 0° to 25° Degree Tilt  | NC |

| Frame Options            |         |       |                                                           |     |
|--------------------------|---------|-------|-----------------------------------------------------------|-----|
| <input type="checkbox"/> | 208FS23 | E1161 | Standard Base and Seat Frame<br>(Maximum Weight: 300 lbs) | STD |

| Tilt Release Options     |         |       |                                                                                                                                                    |    |
|--------------------------|---------|-------|----------------------------------------------------------------------------------------------------------------------------------------------------|----|
| <input type="checkbox"/> | 208TT8  | E1161 | Foot Release NA with 19"-22" Depth and<br>Flip Back HA Armrest.<br><input type="checkbox"/> Left <input type="checkbox"/> Right (Facing from rear) | NC |
| <input type="checkbox"/> | 208TT12 | E1161 | Backrest trigger cable release                                                                                                                     | NC |

| User's Weight                                                |         |       |               |    |
|--------------------------------------------------------------|---------|-------|---------------|----|
| <i>Gas spring selection depends User's weight selection.</i> |         |       |               |    |
| <input type="checkbox"/>                                     | 208WG26 | E1161 | Up to 150 lbs | NC |
| <input type="checkbox"/>                                     | 208WG27 | E1161 | 151 - 180 lbs | NC |
| <input type="checkbox"/>                                     | 208WG28 | E1161 | 181 - 210 lbs | NC |
| <input type="checkbox"/>                                     | 208WG29 | E1161 | 211 - 240 lbs | NC |
| <input type="checkbox"/>                                     | 208WG30 | E1161 | 241 - 270 lbs | NC |
| <input type="checkbox"/>                                     | 208WG31 | E1161 | 271 - 300 lbs | NC |



✓ Option # HCPCS Definition Price ✓ Option # HCPCS Definition Price

**2. SIZE / SEATING**

**Frame Width**

21" & 22" NA w/ removable stroller handle extension or back upholsteries.

**Small Frame 14" - 17"**

|                          |       |  |     |  |    |
|--------------------------|-------|--|-----|--|----|
| <input type="checkbox"/> | 208W5 |  | 14" |  | NC |
| <input type="checkbox"/> | 208W6 |  | 15" |  | NC |
| <input type="checkbox"/> | 208W7 |  | 16" |  | NC |
| <input type="checkbox"/> | 208W8 |  | 17" |  | NC |

**Large Frame 18" - 22"**

|                          |        |       |     |  |          |
|--------------------------|--------|-------|-----|--|----------|
| <input type="checkbox"/> | 208W9  |       | 18" |  | NC       |
| <input type="checkbox"/> | 208W10 |       | 19" |  | NC       |
| <input type="checkbox"/> | 208W11 | E2201 | 20" |  | \$572.00 |
| <input type="checkbox"/> | 208W12 | E2201 | 21" |  | \$572.00 |
| <input type="checkbox"/> | 208W13 | E2201 | 22" |  | \$572.00 |

**Seat Depth**

See **Figure 1** Dimension A for measurement  
Foot release tilt option NA w/19"-22"

**Short 14" - 16"**

|                          |        |  |     |  |    |
|--------------------------|--------|--|-----|--|----|
| <input type="checkbox"/> | 208SD7 |  | 14" |  | NC |
| <input type="checkbox"/> | 208SD8 |  | 15" |  | NC |
| <input type="checkbox"/> | 208SD9 |  | 16" |  | NC |

**Medium 16" - 18"**

|                          |         |  |     |  |    |
|--------------------------|---------|--|-----|--|----|
| <input type="checkbox"/> | 208SD9  |  | 16" |  | NC |
| <input type="checkbox"/> | 208SD10 |  | 17" |  | NC |
| <input type="checkbox"/> | 208SD11 |  | 18" |  | NC |

**Long 18" - 20"**

|                          |         |       |     |  |          |
|--------------------------|---------|-------|-----|--|----------|
| <input type="checkbox"/> | 208SD11 |       | 18" |  | NC       |
| <input type="checkbox"/> | 208SD12 |       | 19" |  | NC       |
| <input type="checkbox"/> | 208SD13 | E2203 | 20" |  | \$628.00 |

**Extra Long 20" - 22"**

|                          |         |       |     |  |            |
|--------------------------|---------|-------|-----|--|------------|
| <input type="checkbox"/> | 208SD13 | E2203 | 20" |  | \$628.00   |
| <input type="checkbox"/> | 208SD14 | E2203 | 21" |  | \$628.00   |
| <input type="checkbox"/> | 208SD33 | E2204 | 22" |  | \$1,030.00 |

**Seat Type**

|                          |         |       |                                                        |          |
|--------------------------|---------|-------|--------------------------------------------------------|----------|
| <input type="checkbox"/> | 208ST35 | E2231 | Standard Seat Pan<br>For growth ranges, see Figure 1.5 | \$229.00 |
| <input type="checkbox"/> | 208ST54 |       | Omit seat Pan                                          | NC       |

**JAY Cushions (Optional)**

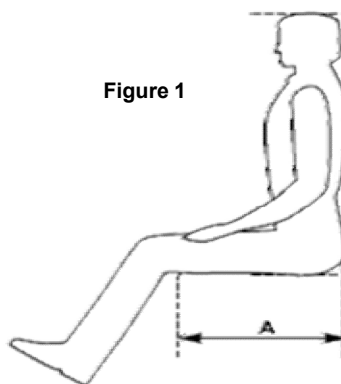
To order any JAY cushions on-chair, please see the JAY price list.  
Cushion name or part number must be filled out with desired width and depth.

|                          |         |                                                                          |            |
|--------------------------|---------|--------------------------------------------------------------------------|------------|
| <input type="checkbox"/> | 208JC20 | JAY Bundled Cushion<br>Cushion Name/Part #:<br>Width: _____ Depth: _____ | Price List |
|--------------------------|---------|--------------------------------------------------------------------------|------------|

**Custom Seating**

Add potential NoGos with Custom Seating (pending review)

|                          |         |                      |  |
|--------------------------|---------|----------------------|--|
| <input type="checkbox"/> | 208QC01 | JAY Custom (AES/JCF) |  |
| <input type="checkbox"/> | 208QC02 | JAY Surefit          |  |
| <input type="checkbox"/> | 208QC03 | JAY Fit              |  |



| Frame Width | Seat Pan Growth |
|-------------|-----------------|
| 14"         | 14" - 16"       |
| 15"         | 15" - 16"       |
| 16"         | 16" - 18"       |
| 17"         | 17" - 18"       |
| 18"         | 18" - 20"       |
| 19"         | 19" - 20"       |
| 20"         | 20" - 22"       |
| 21"         | 21" - 22"       |
| 22"         | NA              |

**3. CASTERS / SEAT HEIGHTS / REAR WHEELS**

**Front Seat Height**

12"-12.5" with 4" casters are limited to a 1.5" floor clearance.

| Rear Wheel Size | CASTER SIZE              |                          |                          |                          |                          |                          |                          |
|-----------------|--------------------------|--------------------------|--------------------------|--------------------------|--------------------------|--------------------------|--------------------------|
|                 | 4"                       | 5"                       | 6"                       | 7"                       | 8" x 1"                  | 8"x 1.5"                 | 8" x 2"                  |
| 12" - 24"       | <input type="checkbox"/> | <input type="checkbox"/> | <input type="checkbox"/> |                          |                          |                          |                          |
|                 | <input type="checkbox"/> | <input type="checkbox"/> | <input type="checkbox"/> |                          |                          |                          |                          |
|                 | <input type="checkbox"/> | <input type="checkbox"/> | <input type="checkbox"/> | <input type="checkbox"/> |                          |                          |                          |
|                 | <input type="checkbox"/> | <input type="checkbox"/> | <input type="checkbox"/> | <input type="checkbox"/> |                          |                          |                          |
|                 | <input type="checkbox"/> | <input type="checkbox"/> | <input type="checkbox"/> | <input type="checkbox"/> | <input type="checkbox"/> |                          |                          |
|                 | <input type="checkbox"/> | <input type="checkbox"/> | <input type="checkbox"/> | <input type="checkbox"/> | <input type="checkbox"/> | <input type="checkbox"/> | <input type="checkbox"/> |
|                 | <input type="checkbox"/> | <input type="checkbox"/> | <input type="checkbox"/> | <input type="checkbox"/> | <input type="checkbox"/> | <input type="checkbox"/> | <input type="checkbox"/> |
|                 | <input type="checkbox"/> | <input type="checkbox"/> | <input type="checkbox"/> | <input type="checkbox"/> | <input type="checkbox"/> | <input type="checkbox"/> | <input type="checkbox"/> |
|                 | <input type="checkbox"/> | <input type="checkbox"/> | <input type="checkbox"/> | <input type="checkbox"/> | <input type="checkbox"/> | <input type="checkbox"/> | <input type="checkbox"/> |
|                 | <input type="checkbox"/> | <input type="checkbox"/> | <input type="checkbox"/> | <input type="checkbox"/> | <input type="checkbox"/> | <input type="checkbox"/> | <input type="checkbox"/> |
|                 | <input type="checkbox"/> | <input type="checkbox"/> | <input type="checkbox"/> | <input type="checkbox"/> | <input type="checkbox"/> | <input type="checkbox"/> | <input type="checkbox"/> |
|                 | <input type="checkbox"/> | <input type="checkbox"/> | <input type="checkbox"/> | <input type="checkbox"/> | <input type="checkbox"/> | <input type="checkbox"/> | <input type="checkbox"/> |
|                 | <input type="checkbox"/> | <input type="checkbox"/> | <input type="checkbox"/> | <input type="checkbox"/> | <input type="checkbox"/> | <input type="checkbox"/> | <input type="checkbox"/> |
|                 | <input type="checkbox"/> | <input type="checkbox"/> | <input type="checkbox"/> | <input type="checkbox"/> | <input type="checkbox"/> | <input type="checkbox"/> | <input type="checkbox"/> |
|                 | <input type="checkbox"/> | <input type="checkbox"/> | <input type="checkbox"/> | <input type="checkbox"/> | <input type="checkbox"/> | <input type="checkbox"/> | <input type="checkbox"/> |
|                 | <input type="checkbox"/> | <input type="checkbox"/> | <input type="checkbox"/> | <input type="checkbox"/> | <input type="checkbox"/> | <input type="checkbox"/> | <input type="checkbox"/> |

**Axle Plate**

|                          |         |                     |    |
|--------------------------|---------|---------------------|----|
| <input type="checkbox"/> | 208AL33 | Standard Axle Plate | NC |
|--------------------------|---------|---------------------|----|

**Castors**

|                          |         |                                                  |          |
|--------------------------|---------|--------------------------------------------------|----------|
| <input type="checkbox"/> | 208CW3  | 4" Low Profile Polyurethane<br>N/A w/ HD package | NC       |
| <input type="checkbox"/> | 208CW72 | 4" x 1" Aluminum Polyurethane                    | \$126.00 |
| <input type="checkbox"/> | 208CW31 | 4" Micro Lighted                                 | \$80.00  |
| <input type="checkbox"/> | 208CW53 | 5" x 1" Polyurethane                             | NC       |
| <input type="checkbox"/> | 208CW7  | 5" x 1.5" Semi Pneumatic                         | \$98.00  |
| <input type="checkbox"/> | 208CW45 | 6" x 1" Polyurethane                             | NC       |
| <input type="checkbox"/> | 208CW35 | 6" x 1.5" Semi Pneumatic                         | \$98.00  |
| <input type="checkbox"/> | 208CW16 | 7" Polyurethane                                  | NC       |
| <input type="checkbox"/> | 208CW46 | 8" x 1" Polyurethane                             | NC       |
| <input type="checkbox"/> | 208CW39 | 8" x 1.5" Semi Pneumatic                         | \$98.00  |
| <input type="checkbox"/> | 208CW37 | E2214<br>K0108<br>8" x 2" Pneumatic w/Insert     | \$258.00 |

**Rear Wheel**

|                          |          |                                  |    |
|--------------------------|----------|----------------------------------|----|
| <input type="checkbox"/> | 208RW13  | 12" Mag Wheel                    | NC |
| <input type="checkbox"/> | 208RW14  | 16" Mag Wheel                    | NC |
| <input type="checkbox"/> | 208RW92  | 24" Lite Spoke Wheel             | NC |
| <input type="checkbox"/> | 208RW103 | 20" Mag Wheel 5 Spoke            | NC |
| <input type="checkbox"/> | 208RW104 | 22" Mag Wheel 5 Spoke            | NC |
| <input type="checkbox"/> | 208RW102 | 24" Mag Wheel 5 Spoke            | NC |
| <input type="checkbox"/> | 208RW150 | 24" Drum brake wheel - 36 spokes | NC |

**Rear Wheel Tire**

|                          |        |                                            |         |
|--------------------------|--------|--------------------------------------------|---------|
| <input type="checkbox"/> | 208RT3 | Full Polyurethane                          | NC      |
| <input type="checkbox"/> | 208RT4 | Low Polyurethane                           | NC      |
| <input type="checkbox"/> | 208RT1 | E2211<br>E2212<br>Pneumatic                | NC      |
| <input type="checkbox"/> | 208RT2 | E2213<br>E2211<br>Pneumatic Airless Insert | \$98.00 |

**Rear Tire & Wheel Matrix**

| Tire                        | Rear Wheel  |       |           |            |
|-----------------------------|-------------|-------|-----------|------------|
|                             | 5 Spoke Mag | Spoke | Mag Wheel | Drum Brake |
| Pneumatic                   | 20,22,24    | 24    | 12,16     | 24         |
| Pneumatic w/ Airless Insert | 20,22,24    | 24    | 12,16     | 24         |
| Full Poly                   | 20,22,24    | 24    | N/A       | 24         |
| Low Poly                    | N/A         | N/A   | 12        | N/A        |

12" = 203mm 16" = 305mm 20" = 451mm 22" = 501mm 24" = 540mm

**3. CASTERS / SEAT HEIGHTS / REAR WHEELS (CONT)**

| Handrim                                                                             |         |                                |          |
|-------------------------------------------------------------------------------------|---------|--------------------------------|----------|
| <i>12" and 16" wheels not available with hand rims. See matrix for availability</i> |         |                                |          |
| <input type="checkbox"/>                                                            | 208HR1  | Aluminum Anodized              | NC       |
| <input type="checkbox"/>                                                            | 208HR4  | Plastic Coated                 | \$126.00 |
| <input type="checkbox"/>                                                            | 208HR22 | Natural Fit - Standard Grip    | \$538.00 |
| <input type="checkbox"/>                                                            | 208HR23 | Natural Fit - Super Grip       | \$599.00 |
| <input type="checkbox"/>                                                            | 208HR25 | Natural Fit - No Thumb Grip    | \$466.00 |
| <input type="checkbox"/>                                                            | 208HR30 | Natural Fit LT - Standard Grip | \$538.00 |
| <input type="checkbox"/>                                                            | 208HR31 | Natural Fit LT - Super Grip    | \$599.00 |
| <input type="checkbox"/>                                                            | 208HR32 | Natural Fit LT - No Thumb Grip | \$466.00 |
| <input type="checkbox"/>                                                            | 208HR7  | Omit Handrim                   | NC       |

| Axle                     |         |                                                                     |    |
|--------------------------|---------|---------------------------------------------------------------------|----|
| <input type="checkbox"/> | 208AX1  | Quick Release Axles                                                 | NC |
| <input type="checkbox"/> | 208AX17 | Threaded Axles<br><i>N/A w/ 24" spoke wheels &amp; 5 Spoke Mags</i> | NC |

**Rear Wheel & Handrim Matrix**

| Handrim                        | Rear Wheel  |       |            |
|--------------------------------|-------------|-------|------------|
|                                | 5 Spoke Mag | Spoke | Drum Brake |
| Aluminum Anodized              | 20,22,24    | 24    | 24         |
| Plastic Coat                   | 20,22,24    | 24    | 24         |
| Natural Fit - Standard Grip    | 24          | 24    |            |
| Natural Fit - No Thumb Grip    | 24          | 24    |            |
| Natural Fit - Super Grip       | 24          | 24    |            |
| Natural Fit LT - Standard Grip | 24          | 24    |            |
| Natural Fit LT - Super Grip    | 24          | 24    |            |
| Natural Fit LT - No Thumb Grip | 24          | 24    |            |

**4. WHEEL LOCKS**

| Wheel Lock               |         |                                                                                                              |          |
|--------------------------|---------|--------------------------------------------------------------------------------------------------------------|----------|
| <input type="checkbox"/> | 208WL8  | Push to Lock                                                                                                 | NC       |
| <input type="checkbox"/> | 208WL41 | E2206 Attendant Wheel Lock (Foot Lock) <i>NA w/ ext handles. NA w/19"-22" Depth and Flip Back HA armrest</i> | \$92.00  |
| <input type="checkbox"/> | 208WL79 | E228 Drum Brake                                                                                              | \$572.00 |
| <input type="checkbox"/> | 208WL10 | Omit Wheel Lock                                                                                              | NC       |

| Extension Handle         |        |               |         |
|--------------------------|--------|---------------|---------|
| <input type="checkbox"/> | 208EH7 | E0961 6" Pair | \$86.00 |

| Hub Lock                                  |         |              |          |
|-------------------------------------------|---------|--------------|----------|
| <i>Only available with smaller wheels</i> |         |              |          |
| <input type="checkbox"/>                  | 208LK01 | 12" Hub Lock | \$114.00 |
| <input type="checkbox"/>                  | 208LK02 | 16" Hub Lock | \$114.00 |

**5. HANGER AND FOOTREST**

| Hangers                                   |         |                                                   |          |
|-------------------------------------------|---------|---------------------------------------------------|----------|
| <i>Footrests mount to extension tubes</i> |         |                                                   |          |
| <input type="checkbox"/>                  | 208H145 | 60° Swing In/Swing Out                            | NC       |
| <input type="checkbox"/>                  | 208H139 | 70° Swing In/Swing Out                            | NC       |
| <input type="checkbox"/>                  | 208H141 | 80° Swing In/Swing Out<br><i>NA w/ 8" casters</i> | NC       |
| <input type="checkbox"/>                  | 208H160 | E0990 Elevating Hanger - Ext Mount                | \$360.00 |
| <input type="checkbox"/>                  | 208H159 | K0053 Articulating Hanger                         | \$423.00 |
| <input type="checkbox"/>                  | 208H32  | Omit Hanger                                       | -\$15.00 |

| Footrest Options         |        |                                                                                |          |
|--------------------------|--------|--------------------------------------------------------------------------------|----------|
| <input type="checkbox"/> | 208HL1 | E0951 Heel Loop                                                                | \$46.00  |
| <input type="checkbox"/> | 208HL5 | K0038 Leg Strap                                                                | \$46.00  |
| <input type="checkbox"/> | 208IG2 | Impact Guard Neoprene<br><i>Only available w/ 60° or 70° ext. mount hanger</i> | \$103.00 |

| Extension Tubes          |        |                                                                                  |         |
|--------------------------|--------|----------------------------------------------------------------------------------|---------|
| <input type="checkbox"/> | 208E1  | Short                                                                            | NC      |
| <input type="checkbox"/> | 208E2  | Medium<br><i>NA with 12.5" seat height</i>                                       | NC      |
| <input type="checkbox"/> | 208E5  | Long<br><i>NA with 12.5" seat height</i>                                         | NC      |
| <input type="checkbox"/> | 208E16 | High Mount <i>N/A with ELR/ALR hangers. Only available with adult footplates</i> | \$86.00 |

| JAY Positioning          |       |                                                                             |          |
|--------------------------|-------|-----------------------------------------------------------------------------|----------|
| <input type="checkbox"/> | 208K3 | E1020 Left JAY Lower Extremity S/A support                                  | \$451.00 |
|                          |       | <input type="checkbox"/> 208K23 Pad 6" x 8" Left                            | NC       |
|                          |       | <input type="checkbox"/> 208K25 Pad 8" x 10" Left                           | NC       |
| <input type="checkbox"/> | 208K4 | E1020 Right JAY Lower Extremity S/A support                                 | \$451.00 |
|                          |       | <input type="checkbox"/> 208K22 Pad 6" x 8" Right                           | NC       |
|                          |       | <input type="checkbox"/> 208K24 Pad 8" x 10" Right                          | NC       |
| <input type="checkbox"/> | 208K2 | Omit Hanger<br><input type="checkbox"/> Left <input type="checkbox"/> Right | -\$15.00 |

| Footrest Footplates                                                       |         |                                                |          |
|---------------------------------------------------------------------------|---------|------------------------------------------------|----------|
| <i>Heel loop or leg strap not included, See Footplate Options Section</i> |         |                                                |          |
| <input type="checkbox"/>                                                  | 208F1   | Composite                                      | STD      |
| <input type="checkbox"/>                                                  | 208F271 | K0040 E0951 Composite Angle Adj-(16"-22"w)     | \$207.00 |
| <input type="checkbox"/>                                                  | 208F5   | Aluminum <i>Only available w/ELR &amp; ALR</i> | NC       |
| <input type="checkbox"/>                                                  | 208F3   | K0040 Adult Angle Adjustable - Ext Mount       | \$217.00 |
| <input type="checkbox"/>                                                  | 208F7   | Omit Footplate and Ext. Tube                   | -\$15.00 |

| Articulating / Elevating Hanger Cover |         |                |          |
|---------------------------------------|---------|----------------|----------|
| <input type="checkbox"/>              | 208DI47 | Neoprene Cover | \$389.00 |
| <input type="checkbox"/>              | 208DI48 | Gel Pad Cover  | \$458.00 |

**6. BACKREST / SEATING**

**Backpost Style - (Choose ONE Option - A, B, C)**

| A. Stroller Handle Backpost (Fixed) |         |              |    |
|-------------------------------------|---------|--------------|----|
| <input type="checkbox"/>            | 208BP9  | Low (18")    | NC |
| <input type="checkbox"/>            | 208BP10 | Medium (21") | NC |
| <input type="checkbox"/>            | 208BP11 | Tall (24")   | NC |

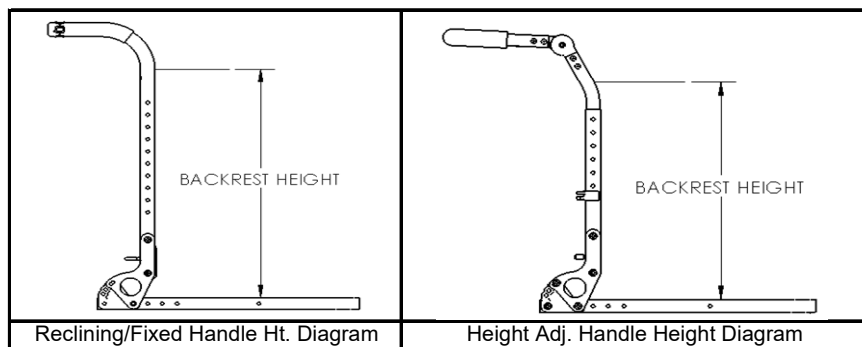
| OR                                                 |         |                      |    |
|----------------------------------------------------|---------|----------------------|----|
| B. Height Adjustable Back w/ Adj. Stroller Handles |         |                      |    |
| <b>Select desired Push Handle</b>                  |         |                      |    |
| <input type="checkbox"/>                           | 208PH8  | Standard Push Handle | NC |
| <input type="checkbox"/>                           | 208PH9  | Long Push Handle     | NC |
| <b>AND select desired Back Cane</b>                |         |                      |    |
| <input type="checkbox"/>                           | 208B200 | Standard 15"-21"     | NC |
| <input type="checkbox"/>                           | 208B201 | Tall 18"-24"         | NC |

| OR                                                     |         |                          |                                     |
|--------------------------------------------------------|---------|--------------------------|-------------------------------------|
| C. Reclining Backrest (0-50°)                          |         |                          |                                     |
| <i>NA w/ 22" Deep Frame and Flip Back HA Armrests.</i> |         |                          |                                     |
| <input type="checkbox"/>                               | 208BT21 | E1225                    | Reclining Backrest \$1,012.00       |
|                                                        |         | <input type="checkbox"/> | 208B5 Medium NC                     |
|                                                        |         | <input type="checkbox"/> | 208B9 Tall NC                       |
| <input type="checkbox"/>                               | 208BP64 |                          | Angle Adj stroller handles \$172.00 |
|                                                        |         |                          | <i>Height adj range 19"- 23"</i>    |
|                                                        |         | <input type="checkbox"/> | 208PH8 Standard push handle NC      |
|                                                        |         | <input type="checkbox"/> | 208PH9 Long push handle NC          |

| Backrest Options and Accessories |          |       |                                                                                                                                  |
|----------------------------------|----------|-------|----------------------------------------------------------------------------------------------------------------------------------|
| <input type="checkbox"/>         | 208BP13  |       | Removable Extension NA w/ 21"-22" frame width, height adj back with adj stroller handles \$98.00                                 |
| <input type="checkbox"/>         | 208BT101 | E2398 | Dynamic Backrest Adds 1.25" to seat depth. NA w/ Reclining Backrest or 19"-22" seat depths and Flip Back HA Armrests. \$1,710.00 |

| JAY J3 Back              |         |  |                    |
|--------------------------|---------|--|--------------------|
| <input type="checkbox"/> | 208JB01 |  | JAY J3 Back See OF |
|                          |         |  | NA w/ O2 Holder    |

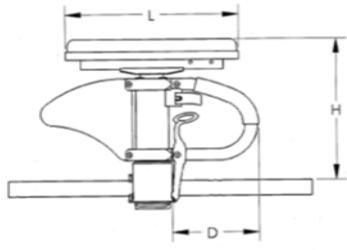
| Backrest Upholstery                                                                                                                                                                                                                                                                                                                                           |                          |        |                                            |
|---------------------------------------------------------------------------------------------------------------------------------------------------------------------------------------------------------------------------------------------------------------------------------------------------------------------------------------------------------------|--------------------------|--------|--------------------------------------------|
| <i>ONLY Available with Low Fixed, Medium Fixed, Standard Height Adjustable (15"-21" back height) stroller handles and in 14"-20" widths. N/A with Dynamic, Reclining Backrest, O2 holder, IV Pole, JAY Anterior Thoracic Support and JAY Padded Trunk Strap Accessories. Towel bar included. EXO Tension Adj upholstery binding is <b>Standard black</b>.</i> |                          |        |                                            |
| <input type="checkbox"/>                                                                                                                                                                                                                                                                                                                                      | 208BU70                  | E2611  | Backrest Tension Adjust Ballistic \$360.00 |
|                                                                                                                                                                                                                                                                                                                                                               |                          |        | <i>*Reference 186BU70 for billing</i>      |
| <input type="checkbox"/>                                                                                                                                                                                                                                                                                                                                      | 208BU89                  | E2611  | Backrest Tension Adj EXO \$379.00          |
|                                                                                                                                                                                                                                                                                                                                                               |                          |        | <i>*Reference 186BU70 for billing</i>      |
| Colors:                                                                                                                                                                                                                                                                                                                                                       | <input type="checkbox"/> | Silver | <input type="checkbox"/>                   |
|                                                                                                                                                                                                                                                                                                                                                               | <input type="checkbox"/> | Orange | <input type="checkbox"/>                   |
|                                                                                                                                                                                                                                                                                                                                                               | <input type="checkbox"/> | Red    | <input type="checkbox"/>                   |
|                                                                                                                                                                                                                                                                                                                                                               | <input type="checkbox"/> | Blue   | \$25.00                                    |



**7. ARMREST**

| Armrest                  |         |       |                                                                                    |
|--------------------------|---------|-------|------------------------------------------------------------------------------------|
| <input type="checkbox"/> | 208AA65 | E0973 | Flip Back Height Adj (LITE 8.5"-13.5") \$360.00                                    |
|                          |         |       | <i>NA w/Foot release tilt, Reclining Back, Dynamic Back and Attendant Foot WL.</i> |
| <input type="checkbox"/> | 208AA11 | E0973 | Single Post Height Adjustable - Std \$326.00                                       |
| <input type="checkbox"/> | 208AA29 | E0973 | Single Post Height Adjustable - Low \$326.00                                       |
| <input type="checkbox"/> | 208AA7  | E0973 | Length Adjustable Locking Flip-Up \$315.00                                         |
|                          |         |       | <i>NA w/ Contour Armpad</i>                                                        |
| <input type="checkbox"/> | 208AA1  | E0973 | Adjustable Locking Flip-Up \$303.00                                                |
| <input type="checkbox"/> | 208AA14 |       | Omit Armrest NC                                                                    |

| Armpad                                                                |         |  |                                           |
|-----------------------------------------------------------------------|---------|--|-------------------------------------------|
| <i>Ergo armpad only available with Single post Height adj armrest</i> |         |  |                                           |
| <input type="checkbox"/>                                              | 208AM23 |  | Desk Length Classic NC                    |
| <input type="checkbox"/>                                              | 208AM21 |  | Desk Length Contour NC                    |
| <input type="checkbox"/>                                              | 208AM24 |  | Full Length Classic NC                    |
| <input type="checkbox"/>                                              | 208AM22 |  | Full Length Contour NC                    |
| <input type="checkbox"/>                                              | 208AM9  |  | Foam Short Option for Length Adj \$315.00 |
|                                                                       |         |  | <i>Locking Flip Up</i>                    |
| <input type="checkbox"/>                                              | 208AM10 |  | Foam Long Option for Length \$315.00      |
|                                                                       |         |  | <i>Adj Locking Flip Up</i>                |
| <input type="checkbox"/>                                              | 208AM27 |  | Ergo armpad NC                            |

| Armrest Matrix for Single Post                                                        |                        |                   |                    |              |     |
|---------------------------------------------------------------------------------------|------------------------|-------------------|--------------------|--------------|-----|
| Armrest Size                                                                          | Transfer Tube Length D | Receiver          | Classic Pad        |              |     |
|                                                                                       |                        |                   | H Range            | Pad length L |     |
| Std                                                                                   | 8"                     | Std               | 10-3/4" to 15-3/4" | 10-1/4"      | 14" |
|                                                                                       |                        | Low               | 8-3/4" to 13-3/4"  |              |     |
| Low                                                                                   | 5-1/4"                 | Std               | 9" to 13"          | 10-1/4"      | 14" |
|                                                                                       |                        | Low               | 7-1/4" to 11-1/4"  |              |     |
|  | Contour Pad            |                   |                    |              |     |
|                                                                                       | Receiver               | H Range           | Pad length L       |              |     |
|                                                                                       | Std                    | 10" to 15"        | 10-1/2"            | 14-1/4"      |     |
|                                                                                       | Low                    | 8-1/4" to 13-1/4" |                    |              |     |
|                                                                                       | Std                    | 8-1/2" to 12-1/2" | 10-1/2"            | 14-1/4"      |     |
|                                                                                       | Low                    | 6-3/4" to 10-3/4" |                    |              |     |
| Ergo Pad                                                                              |                        |                   |                    |              |     |
| Receiver                                                                              | H Range                | Pad length L      |                    |              |     |
| Std                                                                                   | 10-1/2" to 15-1/2"     | 11-3/4"           |                    |              |     |
| Low                                                                                   | 8-3/4" to 13-3/4"      |                   |                    |              |     |
| Std                                                                                   | 9" to 13"              |                   |                    |              |     |
| Low                                                                                   | 7-1/4" to 11-1/4"      |                   |                    |              |     |

**8. KEY OPTIONS AND ACCESSORIES**

**Anti Tips**

Not ordered as separate line item.

|                          |        |       |                  |          |
|--------------------------|--------|-------|------------------|----------|
| <input type="checkbox"/> | 208AT1 | E0971 | Anti Tips (Pair) | \$172.00 |
|--------------------------|--------|-------|------------------|----------|

**Positioning Belt**

|                          |         |       |                                     |          |
|--------------------------|---------|-------|-------------------------------------|----------|
| <input type="checkbox"/> | 208ZZ25 | E0978 | JAY 2PT Belt 2" Push Btn No Pad     | \$47.00  |
| <input type="checkbox"/> | 208ZZ26 | E0978 | JAY 2PT Belt 2" Push Btn 9.5" Pad   | \$99.00  |
| <input type="checkbox"/> | 208ZZ14 | E0978 | JAY 2PT Belt 1.5" Push Btn No Pad   | \$47.00  |
| <input type="checkbox"/> | 208ZZ15 | E0978 | JAY 2PT Belt 1.5" Push Btn 7.5" Pad | \$99.00  |
| <input type="checkbox"/> | 208A117 | E0978 | 2" Aircraft Buckle w/Clamps         | \$126.00 |
| <input type="checkbox"/> | 208A118 | E0978 | 2" Aircraft Buckle Pad w/Clamp      | \$136.00 |
| <input type="checkbox"/> | 208A120 | K0108 | Positioning Belt Clamps Only        | \$57.00  |

**Wheelchair Tray Table**

Only available if armrests are included. NA with JAY Arm Troughs.

|                          |        |       |                   |          |
|--------------------------|--------|-------|-------------------|----------|
| <input type="checkbox"/> | 208A30 | E0950 | Small (13"-14")   | \$292.00 |
| <input type="checkbox"/> | 208A31 | E0950 | Medium (15"-17")  | \$292.00 |
| <input type="checkbox"/> | 208A32 | E0950 | Large (18"-20")   | \$305.00 |
| <input type="checkbox"/> | 208A33 | E0950 | X-Large (21"-22") | \$305.00 |

**JAY Anterior Thoracic Support**

**Style**

|                          |         |       |                            |          |
|--------------------------|---------|-------|----------------------------|----------|
| <input type="checkbox"/> | 208JY01 | E0960 | Classic Dynamic            | \$174.00 |
| <input type="checkbox"/> | 208JY02 | E0960 | Classic Structure          | \$174.00 |
| <input type="checkbox"/> | 208JY03 | E0960 | Contour Dynamic            | \$174.00 |
| <input type="checkbox"/> | 208JY04 | E0960 | Contour Structure          | \$174.00 |
| <input type="checkbox"/> | 208JY05 | E0960 | Center Opening with Buckle | \$174.00 |

**Size**

|                          |         |  |         |    |
|--------------------------|---------|--|---------|----|
| <input type="checkbox"/> | 208JZ01 |  | Small   | NC |
| <input type="checkbox"/> | 208JZ02 |  | Medium  | NC |
| <input type="checkbox"/> | 208JZ03 |  | Large   | NC |
| <input type="checkbox"/> | 208JZ04 |  | X-Large | NC |

**JAY Padded Trunk Strap**

|                          |         |       |                             |          |
|--------------------------|---------|-------|-----------------------------|----------|
| <input type="checkbox"/> | 208JA01 | E0960 | Padded Trunk Strap - Small  | \$162.00 |
| <input type="checkbox"/> | 208JA02 | E0960 | Padded Trunk Strap - Medium | \$162.00 |
| <input type="checkbox"/> | 208JA03 | E0960 | Padded Trunk Strap - Large  | \$162.00 |
| <input type="checkbox"/> | 208JA04 | E0960 | Padded Trunk Strap - XL     | \$162.00 |

**Miscellaneous Accessories**

|                          |         |       |                                                                       |          |
|--------------------------|---------|-------|-----------------------------------------------------------------------|----------|
| <input type="checkbox"/> | 208A1   |       | Black Utility Backpack                                                | \$86.00  |
| <input type="checkbox"/> | 208A8   |       | Black Seat Pouch                                                      | \$57.00  |
| <input type="checkbox"/> | 208LS14 | K0038 | Extra Leg Strap Black                                                 | \$35.00  |
| <input type="checkbox"/> | 208A601 | E2208 | O2 Holder NA w/ Height Adj Stroller Handles. NA w/ Reclining Backrest | \$183.00 |
| <input type="checkbox"/> | 208A701 | K0105 | IV Pole                                                               | \$315.00 |
| <input type="checkbox"/> | 208A999 |       | Quickie Water Bottle & Holder                                         | \$62.00  |

**9. COLOR**

**Standard Frame Color**

Color options only to available to hangers, seat tubes on seat. Front and back extensions on the base

|                          |         |               |    |                          |         |                  |    |
|--------------------------|---------|---------------|----|--------------------------|---------|------------------|----|
| <input type="checkbox"/> | 208C140 | Aztec Gold    | NC | <input type="checkbox"/> | 208C44  | Glossy White     | NC |
| <input type="checkbox"/> | 208C2   | Black         | NC | <input type="checkbox"/> | 208C126 | Glow             | NC |
| <input type="checkbox"/> | 208C141 | Black Cherry  | NC | <input type="checkbox"/> | 208C144 | Green Apple      | NC |
| <input type="checkbox"/> | 208C10  | Black Opal    | NC | <input type="checkbox"/> | 208C147 | Hot Sparkle Pink | NC |
| <input type="checkbox"/> | 208C38  | Blue Opal     | NC | <input type="checkbox"/> | 208C148 | Mauve Pink       | NC |
| <input type="checkbox"/> | 208C36  | Candy Blue    | NC | <input type="checkbox"/> | 208C103 | Rootbeer         | NC |
| <input type="checkbox"/> | 208C14  | Candy Purple  | NC | <input type="checkbox"/> | 208C114 | Sparkle Silver   | NC |
| <input type="checkbox"/> | 208C35  | Candy Red     | NC | <input type="checkbox"/> | 208C145 | Sunrise Orange   | NC |
| <input type="checkbox"/> | 208C142 | Electric Blue | NC | <input type="checkbox"/> | 208C113 | Titanium         | NC |
| <input type="checkbox"/> | 208C143 | Evergreen     | NC | <input type="checkbox"/> | 208C8   | Yellow           | NC |

**Matte Frame Color**

|                          |         |  |                     |    |
|--------------------------|---------|--|---------------------|----|
| <input type="checkbox"/> | 208C116 |  | Matte Black         | NC |
| <input type="checkbox"/> | 208C151 |  | Matte Black Cherry  | NC |
| <input type="checkbox"/> | 208C150 |  | Matte Electric Blue | NC |
| <input type="checkbox"/> | 208C149 |  | Matte Evergreen     | NC |
| <input type="checkbox"/> | 208C152 |  | Matte Purple        | NC |

**Personalized Frame Color**

|                          |         |  |                                                                                              |          |
|--------------------------|---------|--|----------------------------------------------------------------------------------------------|----------|
| <input type="checkbox"/> | 208C112 |  | Desert Camouflage                                                                            | \$451.00 |
| <input type="checkbox"/> | 208C43  |  | Mossy Oak Camouflage                                                                         | \$451.00 |
| <input type="checkbox"/> | 208C42  |  | Stars & Stripes                                                                              | \$451.00 |
| <input type="checkbox"/> | 208C108 |  | Zebra (Choose above base color) Std with White unless above base paint is chosen NA w/ Black | \$451.00 |

**Anodized Color Package**

Anodize package include Forks, axle plate, back plate.

|                          |         |  |            |          |
|--------------------------|---------|--|------------|----------|
| <input type="checkbox"/> | 208EB07 |  | Black      | NC       |
| <input type="checkbox"/> | 208EB08 |  | Blue       | \$183.00 |
| <input type="checkbox"/> | 208EB13 |  | Gold       | \$183.00 |
| <input type="checkbox"/> | 208EB09 |  | Lime Green | \$183.00 |
| <input type="checkbox"/> | 208EB10 |  | Purple     | \$183.00 |
| <input type="checkbox"/> | 208EB11 |  | Red        | \$183.00 |
| <input type="checkbox"/> | 208EB12 |  | Ti Grey    | \$183.00 |

**Additional Options Through Built for Me**

To inquire about any unique personalization for Quickie products, contact: Phone: (800) 333-4000, Fax: (800) 333 9011

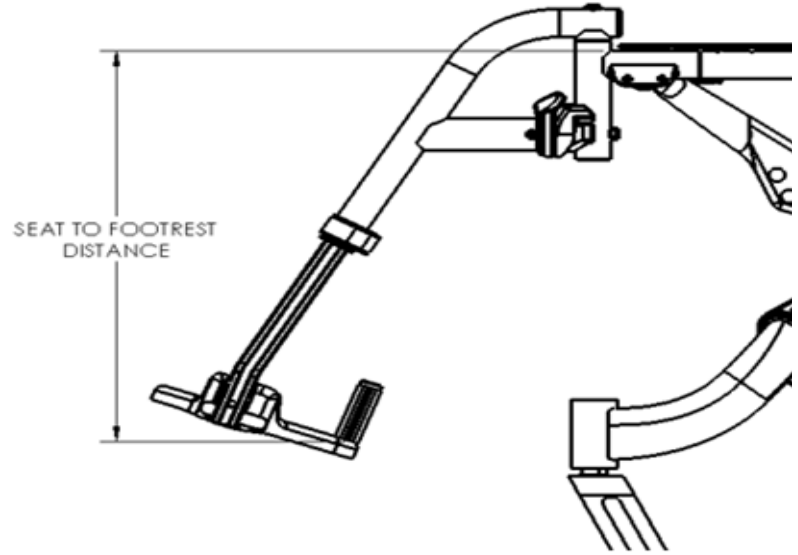


10. APPENDIX

Lower Leg Length Matrix

Front seat height must be at least 2" taller than lower leg length on all swing in/out hangers. Front seat height must be at least 2" taller than maximum lower leg length on all front mount hangers.

| Hanger           | Extension | Seat Pan to Top of Footrest |        |
|------------------|-----------|-----------------------------|--------|
|                  |           | Min                         | Max    |
| 60° Swing In/Out | Short     | 8 1/2                       | 14     |
|                  | Med       | 8 1/2                       | 15 1/2 |
|                  | Long      | 9 1/2                       | 17 1/2 |
| 70° Swing In/Out | Short     | 9 1/2                       | 14 1/2 |
|                  | Med       | 10                          | 16 1/2 |
|                  | Long      | 11 1/2                      | 18 1/2 |
| 80° Swing In/Out | Short     | 10                          | 14     |
|                  | Med       | 13                          | 16     |
|                  | Long      | 13                          | 18     |
| ALR              | Short     | 9                           | 13     |
|                  | Med       | 9                           | 14 1/2 |
|                  | Long      | 10                          | 16 1/2 |
| ELR              | Short     | 9                           | 13     |
|                  | Medium    | 9                           | 14 1/2 |
|                  | Long      | 10                          | 16 1/2 |





## JAY<sup>®</sup> Signature Series Backrest and Accessories

Note: Not all sizes and configurations shown below, for full offering visit [www.sunrisemedical.com](http://www.sunrisemedical.com)

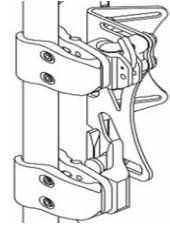
When ordering mark the part number desired and it will be added to the order as a separate line item.

### JAY BACKREST

#### JAY J3 Posterior (PA) BACK - 2.2" Contour Depth

|                      | Shell Height | Shell Width |                          |       |                          |       |                          |       |                          |       |                          |       |
|----------------------|--------------|-------------|--------------------------|-------|--------------------------|-------|--------------------------|-------|--------------------------|-------|--------------------------|-------|
|                      |              | 12"         |                          | 14"   |                          | 16"   |                          | 18"   |                          | 20"   |                          |       |
| Mid Thoracic (MT)    | 12.0" (S)    | J3PAMTSxxFS | <input type="checkbox"/> | \$664 | <input type="checkbox"/> | \$664 | <input type="checkbox"/> | \$664 | <input type="checkbox"/> | \$664 | <input type="checkbox"/> | \$664 |
|                      |              | J3PAMTSxxTH | <input type="checkbox"/> | \$664 | <input type="checkbox"/> | \$664 | <input type="checkbox"/> | \$664 | <input type="checkbox"/> | \$664 | <input type="checkbox"/> | \$664 |
| Upper Thoracic (UT)  | 16.5" (S)    | J3PAUTSxxFS | <input type="checkbox"/> | \$664 | <input type="checkbox"/> | \$664 | <input type="checkbox"/> | \$664 | <input type="checkbox"/> | \$664 | <input type="checkbox"/> | \$664 |
|                      |              | J3PAUTSxxTH | <input type="checkbox"/> | \$664 | <input type="checkbox"/> | \$664 | <input type="checkbox"/> | \$664 | <input type="checkbox"/> | \$664 | <input type="checkbox"/> | \$664 |
|                      | 18.0" (M)    | J3PAUTMxxFS |                          |       | <input type="checkbox"/> | \$664 | <input type="checkbox"/> | \$664 | <input type="checkbox"/> | \$664 | <input type="checkbox"/> | \$664 |
|                      |              | J3PAUTMxxTH |                          |       | <input type="checkbox"/> | \$664 | <input type="checkbox"/> | \$664 | <input type="checkbox"/> | \$664 | <input type="checkbox"/> | \$664 |
|                      | 19.5" (T)    | J3PAUTTxxFS |                          |       | <input type="checkbox"/> | \$664 | <input type="checkbox"/> | \$664 | <input type="checkbox"/> | \$664 | <input type="checkbox"/> | \$664 |
|                      |              | J3PAUTTxxTH |                          |       | <input type="checkbox"/> | \$664 | <input type="checkbox"/> | \$664 | <input type="checkbox"/> | \$664 | <input type="checkbox"/> | \$664 |
| Shoulder Height (SH) | 21.0" (S)    | J3PASHSxxFS |                          |       | <input type="checkbox"/> | \$664 | <input type="checkbox"/> | \$664 | <input type="checkbox"/> | \$664 | <input type="checkbox"/> | \$664 |
|                      |              | J3PASHSxxTH |                          |       | <input type="checkbox"/> | \$664 | <input type="checkbox"/> | \$664 | <input type="checkbox"/> | \$664 | <input type="checkbox"/> | \$664 |
|                      | 22.5" (M)    | J3PASHMxxFS |                          |       |                          |       | <input type="checkbox"/> | \$664 | <input type="checkbox"/> | \$664 | <input type="checkbox"/> | \$664 |
|                      |              | J3PASHMxxTH |                          |       |                          |       | <input type="checkbox"/> | \$664 | <input type="checkbox"/> | \$664 | <input type="checkbox"/> | \$664 |
|                      | 24.0" (T)    | J3PASHTxxFS |                          |       |                          |       |                          |       | <input type="checkbox"/> | \$664 | <input type="checkbox"/> | \$664 |
|                      |              | J3PASHTxxTH |                          |       |                          |       |                          |       | <input type="checkbox"/> | \$664 | <input type="checkbox"/> | \$664 |

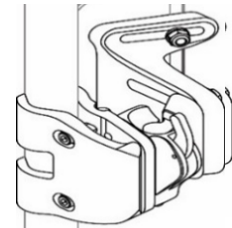
#### FS Mounting Hardware



#### JAY J3 Posterior Lateral (PL) BACK - 3" Contour Depth

|                      | Shell Height | Shell Width |                          |       |                          |       |                          |       |                          |       |                          |       |
|----------------------|--------------|-------------|--------------------------|-------|--------------------------|-------|--------------------------|-------|--------------------------|-------|--------------------------|-------|
|                      |              | 12"         |                          | 14"   |                          | 16"   |                          | 18"   |                          | 20"   |                          |       |
| Mid Thoracic (MT)    | 15.0" (T)    | J3PLMTTxxFS | <input type="checkbox"/> | \$766 | <input type="checkbox"/> | \$766 | <input type="checkbox"/> | \$766 | <input type="checkbox"/> | \$766 | <input type="checkbox"/> | \$766 |
|                      |              | J3PLMTTxxTH | <input type="checkbox"/> | \$766 | <input type="checkbox"/> | \$766 | <input type="checkbox"/> | \$766 | <input type="checkbox"/> | \$766 | <input type="checkbox"/> | \$766 |
| Upper Thoracic (UT)  | 16.5" (S)    | J3PLUTSxxFS | <input type="checkbox"/> | \$766 | <input type="checkbox"/> | \$766 | <input type="checkbox"/> | \$766 | <input type="checkbox"/> | \$766 | <input type="checkbox"/> | \$766 |
|                      |              | J3PLUTSxxTH | <input type="checkbox"/> | \$766 | <input type="checkbox"/> | \$766 | <input type="checkbox"/> | \$766 | <input type="checkbox"/> | \$766 | <input type="checkbox"/> | \$766 |
|                      | 18.0" (M)    | J3PLUTMxxFS |                          |       | <input type="checkbox"/> | \$766 | <input type="checkbox"/> | \$766 | <input type="checkbox"/> | \$766 | <input type="checkbox"/> | \$766 |
|                      |              | J3PLUTMxxTH |                          |       | <input type="checkbox"/> | \$766 | <input type="checkbox"/> | \$766 | <input type="checkbox"/> | \$766 | <input type="checkbox"/> | \$766 |
|                      | 19.5" (T)    | J3PLUTTxxFS |                          |       | <input type="checkbox"/> | \$766 | <input type="checkbox"/> | \$766 | <input type="checkbox"/> | \$766 | <input type="checkbox"/> | \$766 |
|                      |              | J3PLUTTxxTH |                          |       | <input type="checkbox"/> | \$766 | <input type="checkbox"/> | \$766 | <input type="checkbox"/> | \$766 | <input type="checkbox"/> | \$766 |
| Shoulder Height (SH) | 21.0" (S)    | J3PLSHSxxFS |                          |       | <input type="checkbox"/> | \$766 | <input type="checkbox"/> | \$766 | <input type="checkbox"/> | \$766 | <input type="checkbox"/> | \$766 |
|                      |              | J3PLSHSxxTH |                          |       | <input type="checkbox"/> | \$766 | <input type="checkbox"/> | \$766 | <input type="checkbox"/> | \$766 | <input type="checkbox"/> | \$766 |
|                      | 22.5" (M)    | J3PLSHMxxFS |                          |       |                          |       | <input type="checkbox"/> | \$766 | <input type="checkbox"/> | \$766 | <input type="checkbox"/> | \$766 |
|                      |              | J3PLSHMxxTH |                          |       |                          |       | <input type="checkbox"/> | \$766 | <input type="checkbox"/> | \$766 | <input type="checkbox"/> | \$766 |
|                      | 24.0" (T)    | J3PLSHTxxFS |                          |       |                          |       |                          |       | <input type="checkbox"/> | \$766 | <input type="checkbox"/> | \$766 |
|                      |              | J3PLSHTxxTH |                          |       |                          |       |                          |       | <input type="checkbox"/> | \$766 | <input type="checkbox"/> | \$766 |

#### TH Mounting Hardware



#### JAY J3 Posterior Deep (PD) BACK - 6" Contour Depth

|                      |           |             |                          |       |                          |       |                          |       |                          |       |                          |       |
|----------------------|-----------|-------------|--------------------------|-------|--------------------------|-------|--------------------------|-------|--------------------------|-------|--------------------------|-------|
| Mid Thoracic (MT)    | 15.0" (T) | J3PDMTTxxFS | <input type="checkbox"/> | \$910 | <input type="checkbox"/> | \$910 | <input type="checkbox"/> | \$910 | <input type="checkbox"/> | \$910 | <input type="checkbox"/> | \$910 |
|                      |           | J3PDMTTxxTH | <input type="checkbox"/> | \$910 | <input type="checkbox"/> | \$910 | <input type="checkbox"/> | \$910 | <input type="checkbox"/> | \$910 | <input type="checkbox"/> | \$910 |
| Upper Thoracic (UT)  | 18.0" (M) | J3PDUTMxxFS |                          |       | <input type="checkbox"/> | \$910 | <input type="checkbox"/> | \$910 | <input type="checkbox"/> | \$910 | <input type="checkbox"/> | \$910 |
|                      |           | J3PDUTMxxTH |                          |       | <input type="checkbox"/> | \$910 | <input type="checkbox"/> | \$910 | <input type="checkbox"/> | \$910 | <input type="checkbox"/> | \$910 |
| Shoulder Height (SH) | 21.0" (S) | J3PDSHSxxFS |                          |       | <input type="checkbox"/> | \$910 | <input type="checkbox"/> | \$910 | <input type="checkbox"/> | \$910 | <input type="checkbox"/> | \$910 |
|                      |           | J3PDSHSxxTH |                          |       | <input type="checkbox"/> | \$910 | <input type="checkbox"/> | \$910 | <input type="checkbox"/> | \$910 | <input type="checkbox"/> | \$910 |

#### JAY J3 Back Whitmyer Headrest

##### AXYS Mount and Pad

|                          |            |             |                                  |          |
|--------------------------|------------|-------------|----------------------------------|----------|
| <input type="checkbox"/> | J3HEDX8    | E0955/E1028 | AXYS Headrest with 8" Plush Pad  | \$440.00 |
| <input type="checkbox"/> | J3HEDX10   | E0955/E1028 | AXYS Headrest with 10" Plush Pad | \$440.00 |
| <input type="checkbox"/> | J3HEDX14   | E0955/E1028 | AXYS Headrest with 14" Plush Pad | \$455.00 |
| <input type="checkbox"/> | J3HEDXAAPN | E0955/E1028 | AXYS with Adj-a-Plush Narrow Pad | \$555.00 |
| <input type="checkbox"/> | J3HEDXAAPS | E0955/E1028 | AXYS with Adj-a-Plush Std Pad    | \$555.00 |

##### LINX Mount and Pad

|                          |            |             |                                  |          |
|--------------------------|------------|-------------|----------------------------------|----------|
| <input type="checkbox"/> | J3HEDL8    | E0955/E1028 | LINX Headrest with 8" Plush Pad  | \$510.00 |
| <input type="checkbox"/> | J3HEDL10   | E0955/E1028 | LINX Headrest with 10" Plush Pad | \$510.00 |
| <input type="checkbox"/> | J3HEDL14   | E0955/E1028 | LINX Headrest with 14" Plush Pad | \$525.00 |
| <input type="checkbox"/> | J3HEDLAAPN | E0955/E1028 | LINX with Adj-a-Plush Narrow Pad | \$625.00 |
| <input type="checkbox"/> | J3HEDLAAPS | E0955/E1028 | LINX with Adj-a-Plush Std Pad    | \$625.00 |

#### JAY J3 Back Laterals Swing Away Laterals With Pad - Pair

|                          |            |             |                                   |          |                          |            |             |                                   |          |
|--------------------------|------------|-------------|-----------------------------------|----------|--------------------------|------------|-------------|-----------------------------------|----------|
| <input type="checkbox"/> | JLATSA44PR | E0956/E1028 | SwingAway Lat with 4"x4" Pad (PR) | \$892.00 | <input type="checkbox"/> | JLATSA64PR | E0956/E1028 | SwingAway Lat with 6"x4" Pad (PR) | \$892.00 |
| <input type="checkbox"/> | JLATSA45PR | E0956/E1028 | SwingAway Lat with 4"x5" Pad (PR) | \$892.00 | <input type="checkbox"/> | JLATSA65PR | E0956/E1028 | SwingAway Lat with 6"x5" Pad (PR) | \$892.00 |
| <input type="checkbox"/> | JLATSA46PR | E0956/E1028 | SwingAway Lat with 4"x6" Pad (PR) | \$892.00 | <input type="checkbox"/> | JLATSA66PR | E0956/E1028 | SwingAway Lat with 6"x6" Pad (PR) | \$892.00 |



# JAY<sup>®</sup> Signature Series Cushions

Note: Not all sizes and configurations shown below, for full offering visit [www.sunrisemedical.com](http://www.sunrisemedical.com).

When ordering mark the part number desired and it will be added to the order as a separate line item.

## JAY CUSHIONS

### JAY Fusion Cushion

|                          |             |       |                      |          |
|--------------------------|-------------|-------|----------------------|----------|
| <input type="checkbox"/> | JFUSION1416 | E2622 | JAY Fusion 14" x 16" | \$505.00 |
| <input type="checkbox"/> | JFUSION1616 | E2622 | JAY Fusion 16" x 16" | \$505.00 |
| <input type="checkbox"/> | JFUSION1618 | E2622 | JAY Fusion 16" x 18" | \$505.00 |
| <input type="checkbox"/> | JFUSION1620 | E2622 | JAY Fusion 16" x 20" | \$505.00 |
| <input type="checkbox"/> | JFUSION1717 | E2622 | JAY Fusion 17" x 17" | \$505.00 |
| <input type="checkbox"/> | JFUSION1816 | E2622 | JAY Fusion 18" x 16" | \$505.00 |
| <input type="checkbox"/> | JFUSION1818 | E2622 | JAY Fusion 18" x 18" | \$505.00 |
| <input type="checkbox"/> | JFUSION1820 | E2622 | JAY Fusion 18" x 20" | \$505.00 |
| <input type="checkbox"/> | JFUSION2018 | E2622 | JAY Fusion 20" x 18" | \$505.00 |
| <input type="checkbox"/> | JFUSION2020 | E2622 | JAY Fusion 20" x 20" | \$505.00 |
| <input type="checkbox"/> | JFUSION2220 | E2623 | JAY Fusion 22" x 20" | \$600.00 |

### JAY J2 Cushion

|                          |         |       |                    |          |
|--------------------------|---------|-------|--------------------|----------|
| <input type="checkbox"/> | 2108-MJ | E2622 | JAY J2 14" x 16"   | \$514.00 |
| <input type="checkbox"/> | 2105-MJ | E2622 | JAY J2 15.5" x 16" | \$514.00 |
| <input type="checkbox"/> | 2106-MJ | E2622 | JAY J2 15.5" x 18" | \$514.00 |
| <input type="checkbox"/> | 2107-MJ | E2622 | JAY J2 15.5" x 20" | \$542.00 |
| <input type="checkbox"/> | 2117-MJ | E2622 | JAY J2 17" x 17"   | \$514.00 |
| <input type="checkbox"/> | 2100-MJ | E2622 | JAY J2 18" x 16"   | \$514.00 |
| <input type="checkbox"/> | 2101    | E2622 | JAY J2 18" x 18"   | \$514.00 |
| <input type="checkbox"/> | 2103-MJ | E2622 | JAY J2 18" x 20"   | \$543.00 |
| <input type="checkbox"/> | 2118-MJ | E2622 | JAY J2 20" x 18"   | \$543.00 |
| <input type="checkbox"/> | 2102-MJ | E2622 | JAY J2 20" x 20"   | \$628.00 |

### JAY Fusion Cushion w/ Single Valve Air Insert

|                          |               |       |                      |          |
|--------------------------|---------------|-------|----------------------|----------|
| <input type="checkbox"/> | JFUSION1416AS | E2622 | JAY Fusion 14" x 16" | \$567.00 |
| <input type="checkbox"/> | JFUSION1616AS | E2622 | JAY Fusion 16" x 16" | \$567.00 |
| <input type="checkbox"/> | JFUSION1618AS | E2622 | JAY Fusion 16" x 18" | \$567.00 |
| <input type="checkbox"/> | JFUSION1620AS | E2622 | JAY Fusion 16" x 20" | \$567.00 |
| <input type="checkbox"/> | JFUSION1717AS | E2622 | JAY Fusion 17" x 17" | \$567.00 |
| <input type="checkbox"/> | JFUSION1816AS | E2622 | JAY Fusion 18" x 16" | \$567.00 |
| <input type="checkbox"/> | JFUSION1818AS | E2622 | JAY Fusion 18" x 18" | \$567.00 |
| <input type="checkbox"/> | JFUSION1820AS | E2622 | JAY Fusion 18" x 20" | \$567.00 |
| <input type="checkbox"/> | JFUSION2018AS | E2622 | JAY Fusion 20" x 18" | \$567.00 |
| <input type="checkbox"/> | JFUSION2020AS | E2622 | JAY Fusion 20" x 20" | \$567.00 |
| <input type="checkbox"/> | JFUSION2220AS | E2623 | JAY Fusion 22" x 20" | \$661.00 |

### JAY J2 Deep Contour Cushion

|                          |         |       |                               |          |
|--------------------------|---------|-------|-------------------------------|----------|
| <input type="checkbox"/> | 2446    | E2622 | JAY J2 Deep Contour 14" x 16" | \$526.00 |
| <input type="checkbox"/> | 2466    | E2622 | JAY J2 Deep Contour 16" x 16" | \$526.00 |
| <input type="checkbox"/> | 2468    | E2622 | JAY J2 Deep Contour 16" x 18" | \$526.00 |
| <input type="checkbox"/> | 2460    | E2622 | JAY J2 Deep Contour 16" x 20" | \$538.00 |
| <input type="checkbox"/> | 2477    | E2622 | JAY J2 Deep Contour 17" x 17" | \$526.00 |
| <input type="checkbox"/> | 2486    | E2622 | JAY J2 Deep Contour 18" x 16" | \$526.00 |
| <input type="checkbox"/> | 2488    | E2622 | JAY J2 Deep Contour 18" x 18" | \$526.00 |
| <input type="checkbox"/> | 2480    | E2622 | JAY J2 Deep Contour 18" x 20" | \$550.00 |
| <input type="checkbox"/> | 2408    | E2622 | JAY J2 Deep Contour 20" x 18" | \$550.00 |
| <input type="checkbox"/> | 2400-MJ | E2622 | JAY J2 Deep Contour 20" x 20" | \$664.00 |
| <input type="checkbox"/> | 2428    | E2623 | JAY J2 Deep Contour 22" x 18" | \$664.00 |

### JAY Fusion Cushion w/ Dual Valve Air Insert

|                          |               |       |                      |          |
|--------------------------|---------------|-------|----------------------|----------|
| <input type="checkbox"/> | JFUSION1416AD | E2622 | JAY Fusion 14" x 16" | \$572.00 |
| <input type="checkbox"/> | JFUSION1616AD | E2622 | JAY Fusion 16" x 16" | \$572.00 |
| <input type="checkbox"/> | JFUSION1618AD | E2622 | JAY Fusion 16" x 18" | \$572.00 |
| <input type="checkbox"/> | JFUSION1620AD | E2622 | JAY Fusion 16" x 20" | \$572.00 |
| <input type="checkbox"/> | JFUSION1717AD | E2622 | JAY Fusion 17" x 17" | \$572.00 |
| <input type="checkbox"/> | JFUSION1816AD | E2622 | JAY Fusion 18" x 16" | \$572.00 |
| <input type="checkbox"/> | JFUSION1818AD | E2622 | JAY Fusion 18" x 18" | \$572.00 |
| <input type="checkbox"/> | JFUSION1820AD | E2622 | JAY Fusion 18" x 20" | \$572.00 |
| <input type="checkbox"/> | JFUSION2018AD | E2622 | JAY Fusion 20" x 18" | \$572.00 |
| <input type="checkbox"/> | JFUSION2020AD | E2622 | JAY Fusion 20" x 20" | \$572.00 |
| <input type="checkbox"/> | JFUSION2220AD | E2623 | JAY Fusion 22" x 20" | \$667.00 |

### JAY X2 Cushion

|                          |         |       |                  |          |
|--------------------------|---------|-------|------------------|----------|
| <input type="checkbox"/> | JX21416 | E2622 | JAY X2 14" x 16" | \$491.00 |
| <input type="checkbox"/> | JX21616 | E2622 | JAY X2 16" x 16" | \$491.00 |
| <input type="checkbox"/> | JX21618 | E2622 | JAY X2 16" x 18" | \$491.00 |
| <input type="checkbox"/> | JX21620 | E2622 | JAY X2 16" x 20" | \$491.00 |
| <input type="checkbox"/> | JX21717 | E2622 | JAY X2 17" x 17" | \$491.00 |
| <input type="checkbox"/> | JX21816 | E2622 | JAY X2 18" x 16" | \$491.00 |
| <input type="checkbox"/> | JX21818 | E2622 | JAY X2 18" x 18" | \$491.00 |
| <input type="checkbox"/> | JX21820 | E2622 | JAY X2 18" x 20" | \$491.00 |
| <input type="checkbox"/> | JX22020 | E2622 | JAY X2 20" x 20" | \$491.00 |

### JAY Union Cushion

|                          |        |       |                     |          |
|--------------------------|--------|-------|---------------------|----------|
| <input type="checkbox"/> | JU1416 | E2607 | JAY UNION 14" x 16" | \$510.00 |
| <input type="checkbox"/> | JU1616 | E2607 | JAY UNION 16" x 16" | \$510.00 |
| <input type="checkbox"/> | JU1618 | E2607 | JAY UNION 16" x 18" | \$510.00 |
| <input type="checkbox"/> | JU1620 | E2607 | JAY UNION 16" x 20" | \$510.00 |
| <input type="checkbox"/> | JU1717 | E2607 | JAY UNION 17" x 17" | \$510.00 |
| <input type="checkbox"/> | JU1816 | E2607 | JAY UNION 18" x 16" | \$510.00 |
| <input type="checkbox"/> | JU1818 | E2607 | JAY UNION 18" x 18" | \$510.00 |
| <input type="checkbox"/> | JU1820 | E2607 | JAY UNION 18" x 20" | \$510.00 |
| <input type="checkbox"/> | JU2018 | E2607 | JAY UNION 20" x 18" | \$510.00 |
| <input type="checkbox"/> | JU2020 | E2607 | JAY UNION 20" x 20" | \$510.00 |
| <input type="checkbox"/> | JU2220 | E2608 | JAY UNION 22" x 20" | \$623.00 |

### JAY Ion Cushion

|                          |          |       |                   |          |
|--------------------------|----------|-------|-------------------|----------|
| <input type="checkbox"/> | JION1416 | E2607 | JAY ION 14" x 16" | \$453.00 |
| <input type="checkbox"/> | JION1616 | E2607 | JAY ION 16" x 16" | \$453.00 |
| <input type="checkbox"/> | JION1618 | E2607 | JAY ION 16" x 18" | \$453.00 |
| <input type="checkbox"/> | JION1620 | E2607 | JAY ION 16" x 20" | \$453.00 |
| <input type="checkbox"/> | JION1717 | E2607 | JAY ION 17" x 17" | \$453.00 |
| <input type="checkbox"/> | JION1816 | E2607 | JAY ION 18" x 16" | \$453.00 |
| <input type="checkbox"/> | JION1818 | E2607 | JAY ION 18" x 18" | \$453.00 |
| <input type="checkbox"/> | JION1820 | E2607 | JAY ION 18" x 20" | \$453.00 |
| <input type="checkbox"/> | JION2018 | E2607 | JAY ION 20" x 18" | \$453.00 |
| <input type="checkbox"/> | JION2020 | E2607 | JAY ION 20" x 20" | \$453.00 |
| <input type="checkbox"/> | JION2220 | E2608 | JAY ION 22" x 20" | \$567.00 |

### JAY Union Reduced Profile Cushion

|                          |          |       |                        |          |
|--------------------------|----------|-------|------------------------|----------|
| <input type="checkbox"/> | JU1416RP | E2607 | JAY Union RP 14" x 16" | \$510.00 |
| <input type="checkbox"/> | JU1616RP | E2607 | JAY Union RP 16" x 16" | \$510.00 |
| <input type="checkbox"/> | JU1618RP | E2607 | JAY Union RP 16" x 18" | \$510.00 |
| <input type="checkbox"/> | JU1620RP | E2607 | JAY Union RP 16" x 20" | \$510.00 |
| <input type="checkbox"/> | JU1717RP | E2607 | JAY Union RP 17" x 17" | \$510.00 |

### JAY Union Reduced Profile Cushion

|                          |          |       |                        |          |
|--------------------------|----------|-------|------------------------|----------|
| <input type="checkbox"/> | JU1816RP | E2607 | JAY Union RP 18" x 16" | \$510.00 |
| <input type="checkbox"/> | JU1818RP | E2607 | JAY Union RP 18" x 18" | \$510.00 |
| <input type="checkbox"/> | JU1820RP | E2607 | JAY Union RP 18" x 20" | \$510.00 |
| <input type="checkbox"/> | JU2018RP | E2607 | JAY Union RP 20" x 18" | \$510.00 |
| <input type="checkbox"/> | JU2020RP | E2607 | JAY Union RP 20" x 20" | \$510.00 |

