



# Rehab Shower Commode Chairs

## Raz-AP/SP

# User & Dealer Manual



# SAFETY PRECAUTIONS

## Failure to comply may cause injury or damage!

It is important that the Raz Rehab Shower Chair be properly assembled and that all adjustments be made carefully. Please ensure that the user(s), dealer(s) and attendant(s) have read this manual and thoroughly understood the safe operation of the Raz Shower Chair. Up-to-date manuals are available online For clarification of any section of this manual, contact your distributor or the manufacturer.

CHAIR CLASSIFICATION BASED ON MAXIMUM USER WEIGHT	
AP / SP	350 lbs (159 kg)

## SAFETY WARNINGS TO CONSIDER FOR RETAIL PURPOSES

**THIS DEVICE IS SUITABLE FOR TYPE A; HIGH USAGE (e.g. INSTITUTIONS) AND SHOULD NEVER BE USED FOR ANY PURPOSE OTHER THAN ORIGINALLY INTENDED**

### Forward Stability

The casters on all models are equipped with dual-locks. The step-on lever activates both the roll lock and the swivel lock. ***It is essential that all casters on the shower chair be in an outward position before engaging the locks for optimal forward and lateral stability.*** If so equipped, disengage the optional directional caster lock before rotating the rear caster to the rearward position and applying the caster's dual-locks.

**USERS MUST NOT** lean forward while sitting in the Raz Shower Chair as this may cause the chair to tip forward.

**USERS MUST NOT** wheel down a ramp without an attendant who can hold onto the chair during the descent.

**CASTER LOCKS ARE NOT BRAKES! Never use caster locks to slow down the shower chair when descending inclines as this could cause the chair to tip in the direction of travel.**

### Lateral Stability

**USERS MUST NOT** lean over the edge of a Raz Shower Chair as this could cause the chair to tip.

**USERS MUST NOT** attempt to pick up objects from the floor by leaning over and reaching – a reacher or assistance from others should be employed.



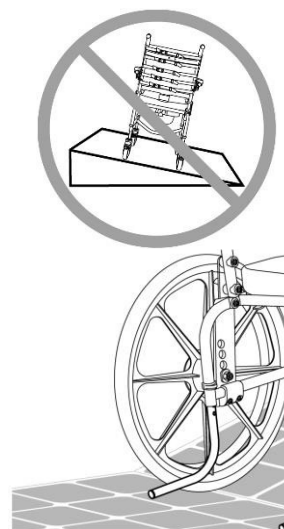
**USERS MUST NOT** position the Raz Shower Chair on a side slope as this could cause it to tip.

### Rearward Stability

**USERS MUST NOT** wheel up an incline on a SP Model without ensuring that the optional rear anti-tippers are in place. The optional anti-tippers must be ordered with the Raz-SP and properly installed before wheeling on uneven surfaces.

### Anti-Tippers - SP Model

Anti-tippers are an option for the Raz-SP Shower Chairs. These are recommended whenever the chairs are to be used on uneven surfaces such as ramps or sloped floors, when used by lower-limb amputees, when the rear wheels are moved forward from the factory-set position or for any situations when rearward stability is compromised.



### Ramps and Other Inclines

Ramps and other surfaces that are not level (such as slopes into wheel-in showers) must be tested with an attendant to ensure that they don't compromise the chair's stability. A qualified healthcare professional should be consulted to assist with this process.

**DO NOT push or pull the Raz-AP up or down an incline or ramp that exceeds a 1:12 grade (5° slope).**

**DO NOT** allow any user to be propelled (pushed or pulled) in a Raz-AP Shower Chair in any other manner than by an attendant.



## IMPORTANT !

**THE REARWARD STABILITY OF THE RAZ-SP IS AFFECTED BY THE MOUNTING LOCATION OF THE REAR WHEELS, THE PHYSICAL AND CLINICAL CHARACTERISTICS OF THE USER AND THE ANGLE OF THE BACKREST. THE NEED FOR ANTI-TIPPERS SHOULD HAVE BEEN DETERMINED AT THE TIME OF THE PRESCRIPTION OF THE RAZ-SP WITH CONSIDERATION OF THE USER'S PHYSICAL ATTRIBUTES AND ENVIRONMENT. ANTI-TIPPERS MAY BE ORDERED AS A RETROFIT AT ANY TIME IF IT IS DETERMINED THAT THEY ARE REQUIRED.**

### Immersion

The Raz Shower Chair is not designed to be used as a pool chair. Do not immerse the shower chair in whole or in part, in water or any other liquid. Damage to the shower chair components may result.

### Transfers

The most dangerous part of using any shower chair is the transfer. Since every chair has different stability characteristics, it is essential to carefully review and test the transfer technique to ensure that the procedure is safe. Test transfers should be performed with an attendant who can prevent the chair from tipping or moving during the transfer. If you feel that the transfers cannot be repeatedly performed safely, contact a healthcare professional who is familiar with transfer techniques and options. Individuals who have not learned safe transfer skills must seek assistance during transfers and may require the use of a mechanical lift.



### Transferring onto a Raz-AP Shower Chair

**ALWAYS** lock all four casters in their outward position (front casters positioned in the forward position/rear casters positioned to the rear) for maximum chair stability.

### Transferring onto a Raz-SP Shower Chair

**ALWAYS** lock both front casters in their outward position (positioned forward) and fully apply both wheel locks so that they securely engage the rear wheels.

The wheel locks are designed to prevent the self-propelling wheels from rotating. The dual-locks on the casters are designed to prevent the casters from rotating and the caster forks from swiveling. Caster locks and wheel locks **DO NOT and CANNOT** prevent the shower chair from sliding/moving if the floor is slippery. A slippery floor can be caused by dust, water, soap or any substance that does not allow the casters/rear wheels to grip the floor securely.

**Transfers should never be attempted with the shower chair positioned on slippery surfaces.** It is recommended that transfers be performed on clean, dry, non-slippery surfaces. Hard surface flooring such as tile, wood or concrete may not provide sufficient grip to keep locked casters and/or rear wheels from sliding. A fully-carpeted surface is optimal. Be aware that area rugs and shower mats can slide on floors and thereby present a hazardous surface.

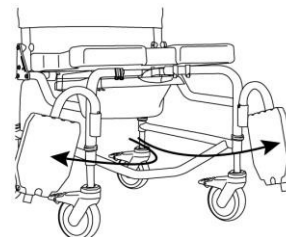
**DO NOT** stand on any part of the frame of the Raz Shower Chair.

**NEVER use the footplates to assist in transfers.** This could cause the chair to tip. The footrests should be swung to the side or removed entirely during transfers to provide unobstructed access to the shower chair.

The Raz Shower Chair **is NOT** intended for use as a transportation device or a long-term seating system.



CASTERS SHOWN IN OUTWARD POSITION



## IMPORTANT !

**USERS SHOULD NEVER BE LEFT UNATTENDED IN A RAZ SHOWER CHAIR.**

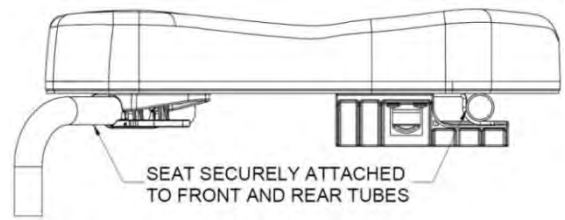
## IMPORTANT !

**DO NOT LIFT A RAZ SHOWER COMMODE CHAIR AND OCCUPANT BY THE ARMRESTS OR FOOTRESTS!**

## IMPORTANT !

**ALWAYS BE SURE THAT THE SEAT IS PROPERLY INSTALLED AND LATCHED. THE REAR HOOKS MUST BE FULLY ENGAGED AND THE FRONT BRACKETS MUST BE LATCHED AND LOCKED AROUND THE FRONT SEAT SUPPORT TUBES.**

**BE SURE THAT WHEN THE CHAIR IS DELIVERED TO THE CLIENT, SEAT INSTALLATION INSTRUCTION IS GIVEN TO THE CLIENT AND/OR CAREGIVERS.**

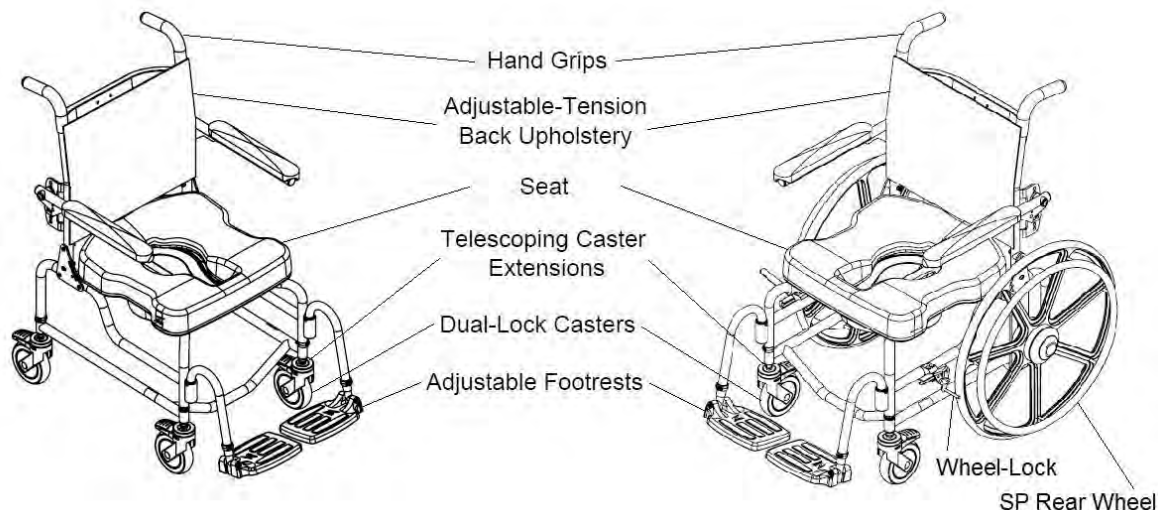


## USER & DEALER MANUAL TABLE OF CONTENTS

1.0	GENERAL INFORMATION	
1.1	Raz-AP/SP Rehab Shower Chairs Overview .....	7
1.2	Raz-AP/SP Rehab Shower Chairs Specifications .....	7
2.0	SET-UP: INTENDED FOR DEALER USE ONLY	
2.1	Backrest Installation .....	8
2.1.1	Backrest Installation – SP Model .....	8
2.1.2	Backrest Installation – AP Model .....	9
2.2	Raz Seat Installation .....	9
2.3	Caster Installation .....	10
2.4	Wheel Installation With Standard Axle Bolt – SP Model .....	10
2.5	Adjustable Footrest Installation .....	11
2.6	Fastener Installation .....	11
3.0	ADJUSTMENTS: INTENDED FOR DEALER USE ONLY	
3.1	Backrest Adjustment .....	11
3.1.1	Backrest Angle Adjustment .....	11
3.1.2	Adjustable-Tension Back Upholstery Adjustment .....	11
3.2	Molded Seat Depth Adjustment .....	12
3.3	Seat-To-Floor Height Adjustment .....	13
3.3.1	Seat-To-Floor Height Adjustment – AP Model .....	13
3.3.2	Seat-To-Floor Height Adjustment – Front Casters of SP Model .....	13
3.3.3	Seat-To-Floor Height Adjustment – Rear Wheels of SP Model .....	13
3.4	Fore/Aft Adjustment of Rear Wheels .....	14
3.5	Wheel Lock Adjustment – SP Model .....	14
3.6	Armrest Adjustment – Adjusta-Back Option .....	14
3.6.1	Armrest Height Adjustment .....	14
3.6.2	Armrest Angle Adjustment .....	15
3.7	Adjustable Footrest Adjustment .....	15
4.0	USE AND OPERATION	
4.1	Adjusta-Back Backrest .....	16
4.2	Adjustable-Tension Back Upholstery .....	16
4.3	Molded Seat .....	17
4.4	Casters .....	18
4.5	Adjustable Footrests .....	18
4.6	Wheel Locks – SP Model .....	18
4.7	Commode Pan .....	18
5.0	CLEANING AND MAINTENANCE	
5.1	Cleaning After Each Use .....	19
5.1.1	Commode Pan .....	19
5.1.2	Molded Seat .....	19
5.2	Cleaning As Needed .....	19
5.2.1	Adjustable-Tension Back Upholstery .....	19
5.2.2	Frame, Armrests, Adjustable Footrests, and Other Components .....	19
5.3	Suggested Cleaning Products .....	19
6.0	LIMITED WARRANTY .....	20
7.0	CONTACTS .....	21

## 1.0 GENERAL INFORMATION

### 1.1 Raz-AP/SP Rehab Shower Chairs Overview



### 1.2 Raz-AP/SP Rehab Shower Chairs Specifications

SPECIFICATIONS	Raz-AP	Raz-SP (22" Wheels)	Raz-SP (24" Wheels)
<b>WEIGHT CAPACITY</b>	350 lbs (159 kg)	350 lbs (159 kg)	350 lbs (159 kg)
<b>FRAME WIDTH (seat and back frames)</b>	18" (46 cm)	18" (46 cm)	18" (46 cm)
<b>OVERALL WIDTH</b>	22.5" (57 cm)	26.5" (67 cm)	26.5" (67 cm)
<b>OVERALL LENGTH (with footrests)</b>	33.75" (86 cm)	39" (99 cm)	39" (99 cm)
<b>SEAT WIDTH (commode seat)</b>	18" (46 cm)	18" (46 cm)	18" (46 cm)
<b>SEAT DEPTH (front of back post to front of seat)</b>	16" or 19" (40 or 48 cm)	16" or 19" (40 or 48 cm)	16" or 19" (40 or 48 cm)
<b>CLEARANCE HEIGHT with pan brackets:</b>	15.5"-19.5" (39-50 cm)	16"-20" (41-51 cm)	15.75"-19.75" (40-50 cm)
<b>without pan brackets:</b>	16.25"-20.25" (41-51 cm)	15.25"-19.25" (39-49 cm)	15"-19" (38-48 cm)
<b>ARMREST HEIGHT ABOVE SEAT (17" Adjusta-Back)</b>	6.5"-9.5" in ½" increments (17-24 cm)	6.5"-9.5" in ½" increments (17-24 cm)	6.5"-9.5" in ½" increments (17-24 cm)
<b>SEAT-TO-FLOOR HEIGHT</b>	20"-24" in 1" increments (51-61cm)	20"-24" in 1" increments (51-61 cm)	20"-24" in 1" increments (51-61 cm)
<b>PRODUCT WEIGHT (with footrests)</b>	38 lbs (17 kg)	47 lbs (21 kg)	49 lbs (22 kg)
<b>FRAME AND HARDWARE MATERIAL</b>	Stainless Steel (Lifetime warranty against corrosion)		
<b>MINIMUM TURNING CIRCLE</b>	36.75" (93 cm)	60" (152 cm)	60" (152 cm)

## 2.0 SET-UP: INTENDED FOR DEALER USE ONLY

### 2.1 Backrest Installation

#### 2.1.1 Backrest Installation – SP Model

Tools required: 5/32" hex key, 7/16" wrench

1. Remove the shower chair from the shipping carton.
2. Place a covered spacer on the outside of both vertical backrest frame tubes. Align spacer with hole on bottom of the frame.
3. Lift the backrest to an upright position in order to trap the covered spacers between the backrest mounting plates and the backrest frame tubes.

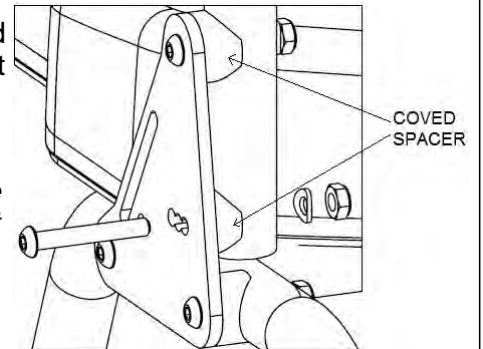
*TIP: For one-person assembly, place one covered spacer on the backrest tube just below the pivot point of the backrest frame, partially lift the backrest up to secure it in place and then place the second covered spacer on the other backrest tube and then lift the backrest to an upright position.*

4. Insert an 1 3/4" button head cap screw through one of the three holes on the backrest plate and then push through the covered spacer and the frame tube.

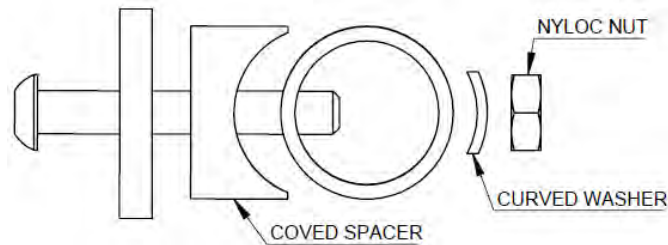
*NOTE: Select the middle hole for a 90° backrest, rear hole for 85° or front hole for 95° backrest angle.*

*TIP: A Phillips screwdriver can be inserted through one plate and frame to temporarily secure the backrest in an upright position.*

5. Fasten the other end of the screw with a curved washer and nyloc nut.
6. Tighten the assembly with the hex key and wrench until the end of the screw extends 1 or 2 threads beyond the nylon locknut.
7. Repeat steps 4 to 6 for other frame tube.



TOP VIEW OF BACKREST ASSEMBLY





### 2.1.2 Backrest Installation – AP Model

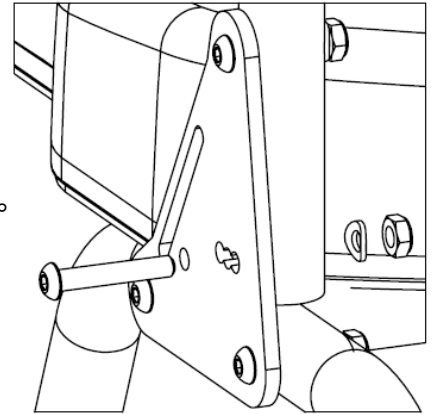
Tools required: 5/32" hex key, 7/16" wrench

1. Remove the shower chair from the shipping carton.
2. Lift the backrest to an upright position in order to align the holes.
3. Insert a 1 1/2" button head cap screw through one of the three holes on the backrest plate and then push through the frame tube.

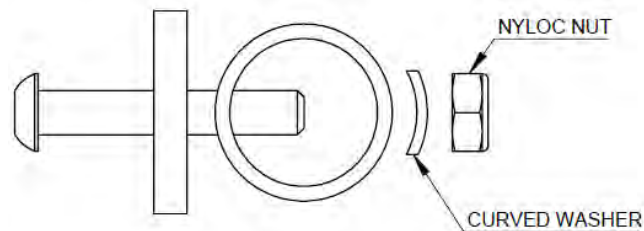
*NOTE: Select the middle hole for a 90° backrest, rear hole for 85° or front hole for 95° backrest angle.*

*TIP: A Phillips screwdriver can be inserted through one plate and frame to temporarily secure the backrest in an upright position.*

4. Fasten the other end of the screw with a curved washer and nyloc nut.
5. Tighten the assembly with the hex key and wrench until the end of the screw extends 1 or 2 threads beyond the nylon locknut.
6. Repeat steps 3 to 5 for other frame tube.

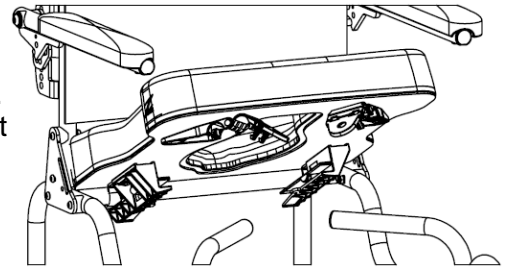


TOP VIEW OF BACKREST ASSEMBLY



### 2.2 Raz Seat Installation

1. Ensure that the front brackets are in the open position. To open the front brackets, simply pry open.
2. Slide the rear of the seat over the rear cross tubes as the front of the seat is lowered onto the frame. Check to make sure that the rear seat brackets hook below the cross tubes.
3. Continue lowering the front of the seat until the front seat brackets nestle onto the front seat support tubes.
4. Secure the seat in place by closing the front seat brackets. To close the seat bracket, snap the clamp back onto its other half around the front support tubes.
5. Reverse steps 1 to 4 to remove the seat from the frame.



## 2.3 Caster Installation

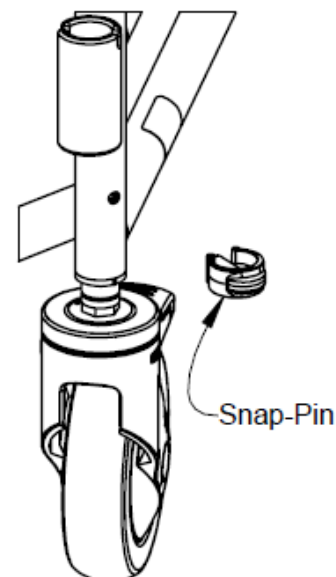
1. Remove the casters from the accessory box.
2. Insert the caster extension tube into the lower frame receiver tube at the desired position.
3. Line up the hole on the frame and to the caster extension tube. It may be necessary to rotate the caster extension tube in order to line up the holes.

*TIP: Locking the caster first makes this easier.*

4. Insert the snap-pin through the frame tube and the caster extension tube. Ensure that the pin is inserted completely through the tube and that the green plastic clip is snapped securely around the outside of the frame tube.

5. Repeat steps 2 to 4 for all casters in the assembly.

*NOTE: If the directional caster lock option was ordered with the AP chair, one of the four casters will have the lock mounted to the caster stem. The caster with the directional lock on must be mounted facing forwards in one of the rear caster positions.*



## IMPORTANT !

**TELESCOPIC CASTER EXTENSION TUBES ALLOW FOR A HEIGHT ADJUSTMENT RANGE OF 4". HOWEVER, THE HIGHER THE CHAIR IS ADJUSTED, THE MORE PRONE IT WILL BE TO TIPPING. CASTERS MUST NEVER BE ADJUSTED TO DIFFERENT HEIGHTS. AN UNLEVEL CHAIR IS EXTREMELY DANGEROUS FOR ANY USER.**

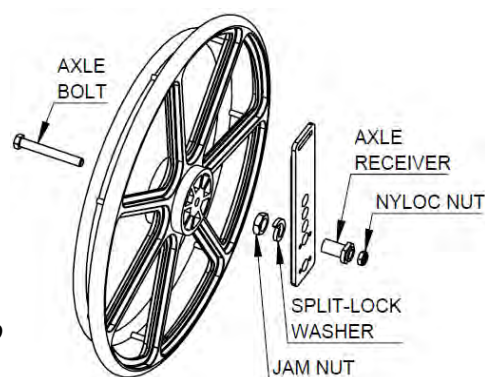
**CASTERS SHOULD ALWAYS BE INSTALLED AT THE LOWEST POSITION POSSIBLE WHILE MEETING THE USER'S NEEDS. ANY POSITION ABOVE THIS WILL RESULT IN A CHANGE IN THE CENTRE OF MASS, WHICH COULD CAUSE INJURY OR PRODUCT DAMAGE. IT IS HIGHLY RECOMMENDED THAT A QUALIFIED HEALTHCARE PROFESSIONAL ASSIST IN A STABILITY CHECK OF THE CHAIR IN ANY ALTERED HEIGHT CONFIGURATION.**

## 2.4 Wheel Installation With Standard Axle Bolt – SP Model

Tools required: 3/4" wrench, 3/4" socket wrench

1. Remove both wheels from the shipping carton.
2. Remove the axle bolts and nyloc nuts from the carton divider.
3. Remove hubcap from a wheel by twisting it counter-clockwise.
4. Insert the axle bolt through the wheel hub and into the axle receiver.
5. Thread the nyloc nut onto the axle bolt and tighten until the wheel assembly is secure. *Do not over-tighten as the wheel must spin freely.*
6. Replace the hubcap by turning it clockwise.
7. Repeat steps 3 to 6 for the other wheel.

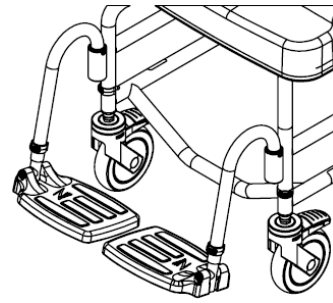
*NOTE: The wheel must be mounted in holes that correspond to the desired seat and caster height so that the chair frame is level.*



Factory Setting - Caster Extension Setting for SP Model	
22" Rear Wheel	Lowest hole on caster extension tube
24" Rear Wheel	Second lowest hole on caster extension tube

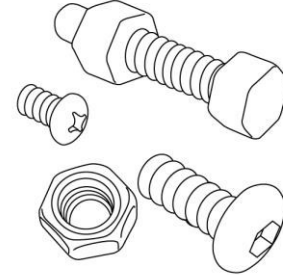
## 2.5 Adjustable Footrest Installation

1. Remove wrapped footrests from the inner accessory box.
2. Place the footrest hanger tubes into the receivers, welded at the front of the chair frame. *If the support tubes are directed forward, the pins on the tubes will engage with grooves in the receivers and lock in place.*



## 2.6 Fastener Installation

All fasteners should be installed securely. Locknuts that are removed for any reason may need to be replaced rather than re-used. Check performance of nyloc nuts when re-attaching to screw. There should be significant detectable resistance when tightening. If not, replace the nyloc nut with a new one. It is advisable to check annually that all fasteners are secure.



## IMPORTANT !

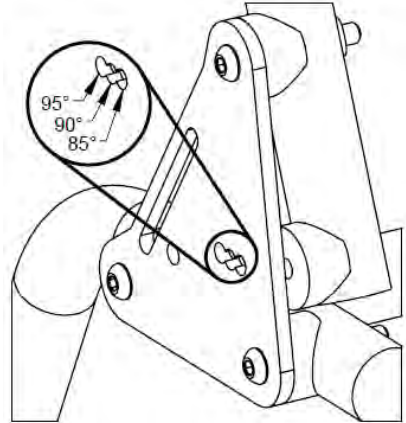
ADJUSTMENTS SHOULD NEVER BE ATTEMPTED WITH THE USER IN THE CHAIR.

### 3.1 Backrest Adjustment

#### 3.1.1 Backrest Angle Adjustment

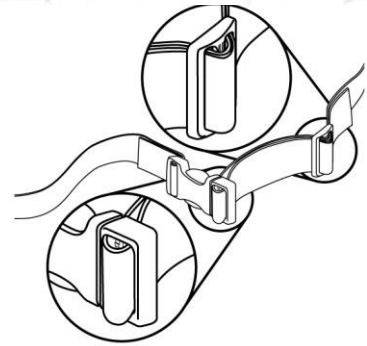
Tools required: 3/16" hex key, 7/16" wrench

1. Loosen and remove the locknuts, washers, and covered spacers (SP models) on both vertical backrest frame tubes.
2. Remove the middle screws and washers from the vertical backrest frame tubes.
3. Leaving the inner covered spacers in place (SP models), rotate the backrest to one of the 3 positions on the backrest mounting plates.
4. With the backrest in place re-insert the screws through the selected holes on the backrest mounting plates.
5. Fasten the screws with curved washers and locknuts.
6. Tighten the assembly with a hex key and wrench.



#### 3.1.2 Adjustable-Tension Back Upholstery Adjustment

In order to adjust the back upholstery of the backrest, each strap can be tightened or loosened to achieve a wide range of positions. For example, the second and third straps from the bottom can be tightened to create more pronounced support in the lumbar area of the back.

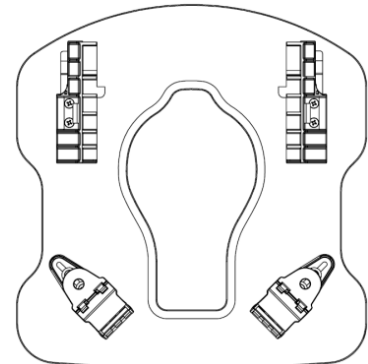


### 3.2 Molded Seat Depth Adjustment

The seat has approximately 2" of fore/aft adjustment.

Tool required: #2 Phillips screwdriver

1. Release the seat by opening the plastic front seat brackets.
2. Remove the seat by lifting up on the front edge and sliding the seat forward and away from the chair.
3. Loosen (*do not remove*) the eight screws attaching the front and rear seat brackets to the underside of the seat.
4. Return the seat to the chair frame, nestling the front seat clamps onto the front support tubes.
5. Slide/wiggle the seat to the desired position.
6. Tighten the screws just enough to hold the front seat clamps in place, making sure the seat is positioned squarely on the frame.
7. With the seat on the chair, slide the rear brackets back until they make firm contact with the rear cross tube, tighten the screws to hold the brackets in place.
8. Tighten all eight screws.



### 3.3 Seat-To-Floor Height Adjustment

#### 3.3.1 Seat-To-Floor Height Adjustment – AP Model

The Raz-AP Model has four telescopic caster extensions that provide a height adjustment range of 3”.

1. Remove the snap-pin holding the caster extension tube in place, from the chair frame.
2. Slide the caster assembly to the desired position.
3. Align the holes in the caster extension tube with the frame holes and insert the snap-pins.

*TIP: Locking the caster makes this easier.*

4. Ensure that the pins are completely through the frame tube and that the green plastic clips are snapped securely around the frame tubes.
5. Repeat steps 1 to 4 for all other casters on the chair.

## IMPORTANT !

**ALL CASTER STEMS MUST BE ADJUSTED TO THE SAME HEIGHT. NEVER ATTEMPT TO CHANGE THE FRAME ANGLE BY ALTERING THE CASTER POSITION. UNEQUAL CASTER POSITIONS WILL REDUCE THE CHAIR’S STABILITY AND MAY RESULT IN TIPPING.**

#### 3.3.2 Seat-To-Floor Height Adjustment – Front Casters of SP Model

The SP Model has two front caster extensions that provide a height adjustment range of 3” when used with 24” rear wheels and a 4” range when used with 22” rear wheels.

1. Remove the snap-pin holding the caster extension tube in place, from the chair frame.
2. Slide the caster assembly to the desired position.
3. Align the holes in the caster extension tube with the frame holes and insert the snap-pins.

*TIP: Locking the caster makes this easier.*

4. Ensure that the pins are completely through the frame tube and that the green plastic clips are snapped securely around the frame tubes.
5. Repeat for the other caster.

#### 3.3.3 Seat-To-Floor Height Adjustment – Rear Wheels of SP Model

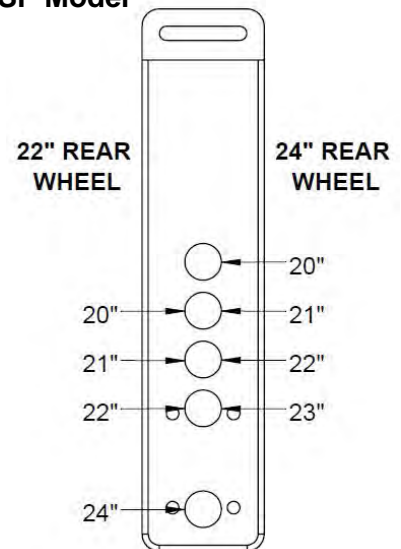
Tools required: 3/4” socket wrench, 3/4” wrench

*TIP: Refer to the image in section 2.4.*

1. Remove the black hubcap from the first wheel by twisting it counter-clockwise.
2. Remove the axle bolt and wheel assembly from the axle receiver on the commode frame.
3. Remove the axle receiver from the axle plate.
4. Insert the axle receiver into the desired hole.

*NOTE: Refer to image on the right for available seat-to-floor height.*

5. Insert the split-lock washer and jam nut onto the axle receiver.
5. Insert the axle and wheel assembly into the axle receiver and tighten the nyloc nut until the wheel assembly is secure. *Do not over-tighten as the wheel must spin freely.*
6. Replace the hubcap by turning it clockwise.
7. Adjust the wheel locks.
8. Repeat steps 1 to 7 for the other wheel. Pull both wheels to confirm that they are firmly in place.



### 3.4 Fore/Aft Adjustment of Rear Wheels

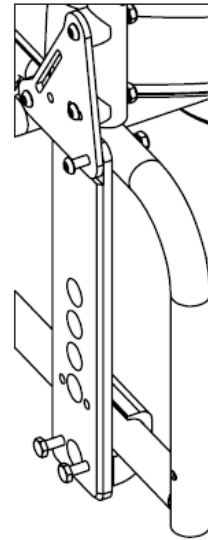
The 22" and 24" wheels have a fore/aft adjustment range of 6".

Tools required: 3/16" hex key, 3/4" socket wrench, 3/4" wrench, (2) 7/16" wrenches

1. Loosen the wheel locks.
2. Remove the hubcap of one wheel by twisting it counter clockwise. Loosen and remove the axle bolt and locknut, and set aside the wheel assembly.

*TIP: Laying the chair on one side simplifies this procedure.*

3. With the wheel detached, loosen (*do not remove*) the lower back button head screw on the backrest mounting plate.
4. Loosen (*do not remove*) the lower axle plate clamp screws.
5. Adjust the axle plate, noting the precise position to mirror with the axle plate for the other wheel.
6. Tighten the clamp screws on the bottom of the axle plate and the button head screw on the backrest mounting plate.
7. Replace the wheel, axle bolt, and locknut.
8. Tighten the axle bolt and locknut until they are secure.
9. Replace the hubcap by turning it clockwise.
10. Repeat steps 1 to 9 for the other wheel. Take extra care to align the wheels properly.
11. Re-adjust the wheel locks.



## IMPORTANT !

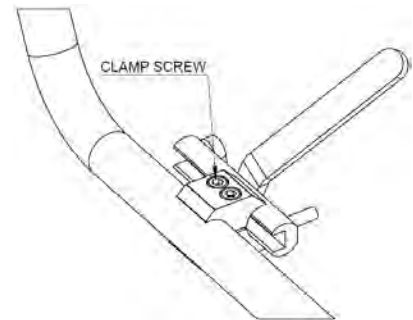
**INCREASING THE SEAT HEIGHT, MOVING THE REAR WHEELS FORWARD AND INCREASING THE BACKREST ANGLE WILL SIGNIFICANTLY DECREASE REARWARD STABILITY. IT IS ESSENTIAL THAT A STABILITY CHECK BE PERFORMED AFTER ANY OF THESE ADJUSTMENTS ARE MADE. STABILITY CHECKS SHOULD BE PERFORMED WITH AN ATTENDANT BEHIND THE CHAIR AND WITH ANTI-TIPPERS PROPERLY INSTALLED AND ADJUSTED.**

### 3.5 Wheel Lock Adjustment – SP Model

Tool required: 5mm hex key

1. Loosen (do not remove) the clamp screws on one wheel lock.
2. Shift the wheel lock along the frame so that it engages with the wheel and stops all wheel movement.
3. Tighten the clamp screws.
4. Repeat steps 1 to 3 for the other wheel lock.

*Note: A properly adjusted wheel lock will prevent the wheel from rotating without being too difficult for the user to engage.*



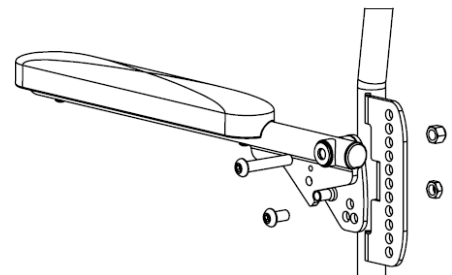
### 3.6 Armrest Adjustment – Adjusta-Back Option

#### 3.6.1 Armrest Height Adjustment

The armrests are adjustable in height within a 3" range, in 1/2" increments *on the Adjusta-Back Option only*.

Tools required: 7/32" hex key, 9/16" wrench

1. Loosen and remove the lower locknut.
2. Loosen and remove the top locknut.
3. Keeping the armrest and armrest pivot plate assembly together, move the unit up or down on the armrest support weldment depending on the user's needs.
4. Replace the locknut onto the top screw.
5. Replace the locknut onto the bottom screw.
6. Tighten screws and locknuts at the top and bottom.
7. Repeat steps 1 to 6 for other armrest.

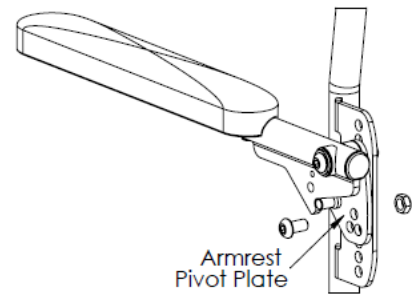


### 3.6.2 Armrest Angle Adjustment

The armrest angle can be adjusted up 5° or down 5° if the backrest angle is adjusted from the 90° factory position.

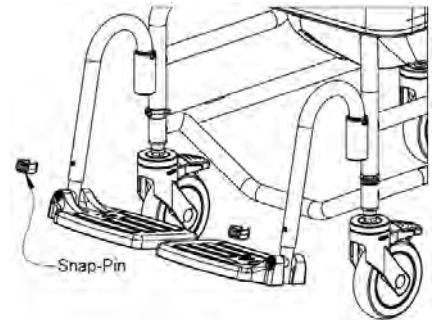
Tools required: 7/32" hex key, 9/16" wrench

1. Loosen and remove the screw, washer and locknut on the bottom of the armrest pivot plate.
2. Keeping the upper screw in place, rotate the armrest assembly until the preferred position is reached by aligning one of the 3 holes (arranged in a triangle) on the armrest pivot plate with the holes on the armrest support weldment.
3. Insert the screw into the preferred position on the armrest pivot plate and attach the locknut.
4. Tighten the screw and locknut.
5. Repeat steps 1 to 4 for the other armrest.



### 3.7 Adjustable Footrest Adjustment

1. Remove a plastic snap-pin from one footrest hanger tube.
2. Adjust the footplate extension tube vertically to achieve the desired height in the footrest hanger tube.
3. Insert the snap-pin through the footrest hanger tube and the extension tube. Ensure that the snap-pin is completely through the tube and that the green plastic clip is snapped securely around the outside of the hanger tube.
4. Repeat steps 1 to 3 for the other footplate.



## 4.0 USE AND OPERATION

### 4.1 Adjusta-Back Backrest

The Adjusta-Back is adjustable in angle (85°, 90°, or 95°) and has armrests that can be adjusted in height and angle. The armrests lock automatically when flipped down. The Adjusta-Back can be ordered in either 17", 20" or 24" back heights.

### 4.2 Adjustable-Tension Back Upholstery

The Adjusta-Back Backrests come with an Adjustable-Tension Back Upholstery that provides trunk support for optimal positioning and comfort. The upholstery is removable for machine washing and available in the 17", 20", and 24" heights in accordance to the back height selected for the chair.

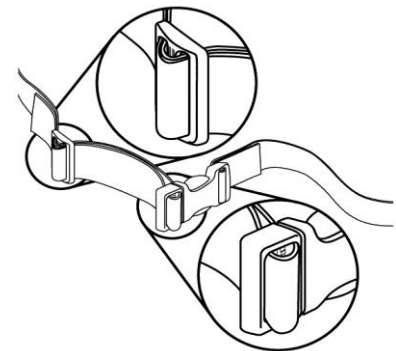
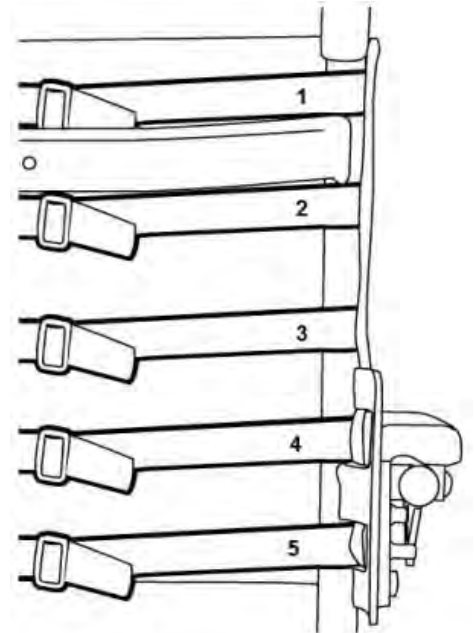
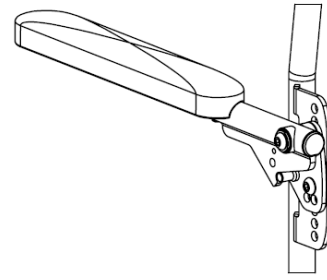
To install the Adjustable-Tension Back Upholstery on an Adjusta-Back:

1. Place the fabric against the front of the backrest canes making sure that when wrapped around, the clips on the straps face away from the fabric and the loops point downwards.
2. The highest strap (1) is positioned above the crossbar.
3. Second (2) and third (3) straps are positioned between the crossbar and backrest mounting plates.
4. The fourth (4) and fifth (5) straps are fed through the slots in the armrest mounting plates.
5. A 20" high back includes a sixth strap, which is positioned below the armrest mounting plates.
6. Adjust all of the straps to meet the user's needs.

*NOTE: For the 24" Adjusta-Back, the two highest straps should be located above the backrest crossbar. The other five straps are located the same as the 20" Adjusta-Back.*

In order to adjust the back upholstery of the backrest, each strap can be tightened or loosened to achieve a wide range of positions. For example, the second and third straps from the bottom can be tightened to create more pronounced support in the lumbar area of the back.

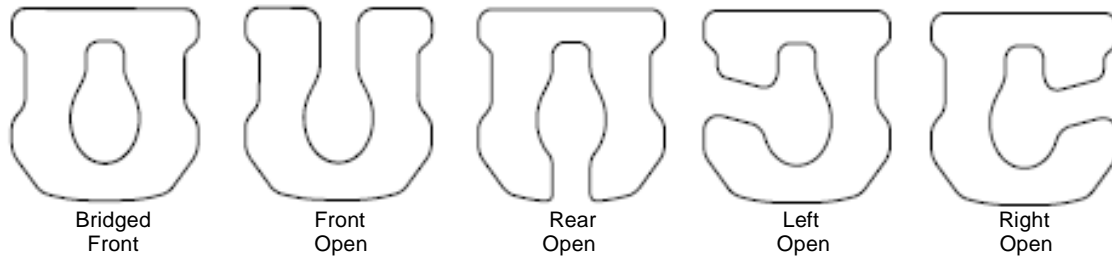
To remove the Adjustable-Tension Back Upholstery, release the buckles on the straps.





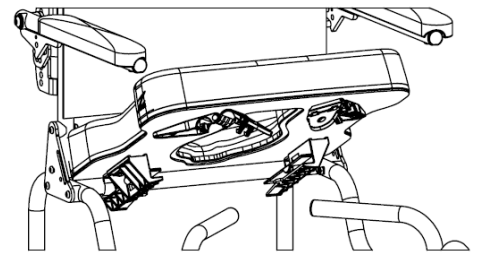
### 4.3 Molded Seat

The standard molded seats on Raz-AP/SP Shower Chairs are designed to help stabilize the pelvis and are contoured for pressure reduction. The molded seats are made from soft, integral-skin foam and are available in four configurations: 16" deep front open, 16" deep bridged front, 19" deep front open and 19" deep bridged front. Also available as an upgrade in pressure reduction are Visco-Foam Interface seats. The Visco-Foam seats are available in 16" and 19" seat depths, each with 5 configurations: bridged front, front open, rear open, left open, and right open. All seats feature the unique Ischial Pelvic Alignment System (IPAS) that provides 2" of fore and aft adjustment, locks in place for transfers and removes easily for cleaning. Optional spacers for anterior or posterior seat angle are available. All Raz chairs fit over most standard toilet bowls when the commode pan is not in place.



#### To install a Raz Seat:

1. Ensure that the front brackets are in the open position. To open the front brackets, simply pry open.
2. Slide the rear of the seat over the rear cross tubes as the front of the seat is lowered onto the frame. Check to make sure that the rear seat brackets hook below the cross tubes.
3. Continue lowering the front of the seat until the front seat brackets nestle onto the front seat support tubes.
4. Secure the seat in place by closing the front seat brackets. To close the seat bracket, snap the clamp back onto its other half around the front support tubes.
5. Reverse steps 1 to 4 to remove the seat from the frame.



### IMPORTANT !

**NEVER ATTEMPT TO CHANGE THE SEAT HEIGHT WITHOUT THE HELP OF A QUALIFIED DEALER. HIGHER SEAT POSITIONS WILL REDUCE THE CHAIR'S STABILITY AND MAY RESULT IN TIPPING AND INJURY.**

### IMPORTANT !

**FRAME AND SEAT ADJUSTMENTS SHOULD BE PERFORMED ONLY BY TECHNICIANS FROM QUALIFIED RAZ DEALERS. NEVER ATTEMPT TO CHANGE THE FRAME ANGLE BY CHANGING THE CASTER POSITION. THE FRAME SHOULD ALWAYS BE LEVEL. IMPROPER CASTER POSITIONS MAY REDUCE THE CHAIR'S STABILITY AND RESULT IN TIPPING. THIS HAS THE POTENTIAL TO CAUSE SERIOUS HARM TO THE USER AND/OR DAMAGE TO THE CHAIR.**

#### 4.4 Adjustable Footrests

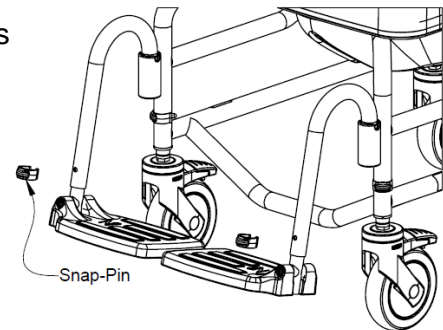
Adjustable Footrests are standard on all Raz Shower Chairs. For transfers, the footrests can be flipped up, rotated away or removed entirely. Adjustable Footrests can be extended for users with longer legs with the optional footrest extension tube, a 2" longer tube that can be ordered for any Raz Shower Chair.

To insert the Adjustable Footrests:

1. Place the footrest hanger tubes into the footrest receivers.
2. If the hanger tubes are aligned forward, the pins on the tubes will engage with grooves in the receivers and lock in place.

To adjust the length of the Adjustable Footrests:

1. Remove the snap-pin from one footrest hanger tube.
2. Reposition the footplate to a length suitable for the user.
3. Insert the snap-pin through the footrest hanger tube and through the inner tube.



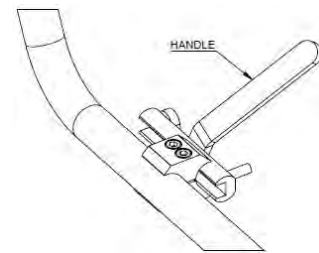
To rotate the Adjustable Footrests:

1. Lift the footrest hanger tubes to disengage the pins.
2. Rotate the footrests outward or inward.

To remove the Adjustable Footrests, lift the footrests out of the receiving sleeves on the frame.

#### 4.5 Wheel Locks – SP Model

The Wheel locks on a Raz-SP Shower Chair can be engaged by pushing the handles forward. This stops the rear wheels from rotating. *For maximum stability, **BOTH** wheel locks **MUST** be engaged.* To disengage the wheel locks, pull the handles backward.



#### 4.6 Commode Pan

The Raz Commode Pan is designed with an elongated shape that fits directly under the seat to minimize back splash. A unique splash-reduction ridge is located at center of the pan. The high gloss surface facilitates cleaning and rinsing, while the pouring spout and handle facilitate emptying. Removal of the Commode Pan is achieved by sliding the pan rearward.

*NOTE: When re-inserting the pan, ensure that the pan is guided into the green plastic brackets and pushed forward until it hits the stops.*



#### 4.7 Casters

Each Raz Shower Chair caster is equipped with a dual-lock feature, which stops the caster from swiveling and rolling simultaneously. To activate the dual-lock, step on the end of the caster brake lever until it latches in the "on" position. To deactivate the dual-lock, step on the raised end of the dual-lock until it latches in the "off" position.



## 5.0 CLEANING AND MAINTENANCE

### 5.1 Cleaning After Each Use

#### 5.1.1 Commode Pan

1. Remove the commode pan and empty contents.
2. Wash the pan with a multi-purpose disinfectant cleaning solution. Use a soft brush if needed.
3. Rinse well before storage or re-use.

*NOTE: A soapy hot water wash followed by a disinfectant spray can be substituted for a multi-purpose disinfectant cleaning solution.*

#### 5.1.2 Molded Seat

1. Spray with a multi-purpose disinfectant cleaner and scrub with a soft brush as required.
2. Rinse with a water spray before storage or re-use.  
**DO NOT IMMERGE** the seat in water or cleaning solutions.
3. For a more thorough cleaning, remove the seat from the shower chair to allow better access to the underside of the seat and around the opening of the seat.

### 5.2 Cleaning As Needed

#### 5.2.1 Adjustable Tension Back Upholstery

1. Remove the plastic buckles and tri-glides from the back upholstery straps, paying attention to how the straps are wound through each component as they are removed.
2. Remove the back upholstery from the back frame and machine wash with a mild detergent in warm water on a normal or gentle wash cycle. Include other strap accessories such as the H-strap, pelvic and chest positioning straps.
3. Install the back upholstery and other positioning accessories on the chair and allow to dry.  
**DO NOT** dry the back upholstery in a clothes dryer or damage to the upholstery may occur.
4. Assemble all plastic buckles and tri-glides onto straps.
5. Adjust the straps to the desired tension.

#### 5.2.2 Frame, Armrests, Adjustable Footrests, and Other Components

1. Spray the frame and components with a multi-purpose disinfectant cleaner, scrub with a soft brush and rinse with water.
2. If necessary, spray the frame and components with a diluted (10 parts water to 1 part solution) calcium/lime remover (such as CLR), scrub with a soft brush and rinse thoroughly with water.  
**DO NOT** mix a calcium/lime removal solution with any other liquid or toxic fumes may result.

It is recommended to the user that a qualified Raz dealer check over all fasteners and subassemblies on a continuing basis or if there is cause for concern to the shower chair's performance.

Several times each year the shower chair and its components should be wiped down with a diluted calcium/lime removal solution in order to reduce deposits, followed by a hot water rinse.

To reduce the risk of mildew buildup, the entire shower chair should be wiped down with a soft dry cloth after the final rinse and before storage or use.

### 5.3 Suggested Cleaning Products

Task	Recommended Products
General Cleaning	Antibacterial Detergent
Disinfectant Surface Cleaner Intermediate Level Disinfectant	Oxiver TB (Virox Technologies Inc.) SepteFX 7D-11 (Titan Worldwide Inc.)
Calcium and Lime Deterrent	CLR

## 6.0 LIMITED WARRANTY

This warranty is extended only to the original purchaser/user for Raz Rehab Shower Chairs that have been purchased from a qualified Raz dealer.

This warranty gives you specific legal rights, but you may have additional legal rights depending on your region and country.

This warranty shall be extended to comply with state/provincial laws and requirements.

With regards to the original purchaser/user only, Raz Design warrants its base and back frame components to be free of defects in materials and workmanship for a period of two (2) years from the date of purchase. All other components on the Raz Rehab Shower Chair are covered for a period of one (1) year and are subject to normal wear and tear exclusions. If within such warranty period any such product shall be proven to be defective, the part will be repaired or replaced, at Raz Design's discretion. This warranty does not include any labor or shipping charges incurred in replacement, part installation, or repair of any such product.

For warranty service, please contact the dealer from whom you purchased your Raz Rehab Shower Chair. In the event that you do not receive satisfactory warranty service, please contact Raz Design directly using the contact information located in either the beginning or the end of this manual. In your correspondence please provide your dealer's name and address, the product type, the date of purchase, the chair's serial number (on a grey label located on the chair frame), as well as the nature of the product issue. Do not return products to the manufacturer without prior authorization.

### **Limitations and Exclusions:**

The foregoing warranty shall not apply to serial numbered products if the serial number has been removed or defaced, and to products subjected to negligence or an accident. Improper operation, maintenance, or storage may void the warranty coverage on the Raz Rehab Shower Chair.

The warranty does not apply to products modified without Raz Design's express written consent. This includes, but is not limited to, modification through the use of unauthorized parts or attachments, products damaged by reason of repairs made to any component by an individual or individuals who are not employed by a qualified Raz dealer, or to a product damaged by circumstances beyond Raz Design's control. Only Raz Design will have the authority to determine whether or not the circumstances are eligible for warranty coverage. The warranty will not apply to problems arising from normal wear or failure to adhere to the instructions contained in this manual.

The foregoing warranty is exclusive and in lieu of any other warranties, whether express or implied, including the implied warranties of merchantability and fitness for a particular purpose. The sole remedy for violations of any warranty whatsoever will be limited to repair or replacement of the defective product in compliance to the terms contained in this document.

The application of any implied warranty shall not extend beyond the duration of the express warranty provided herein. Raz Design will not be liable for any consequential or incidental damages to part or whole of a Raz Rehab Shower Chair.

## **IMPORTANT !**

**DO NOT USE ABRASIVE SCRUBBING POWDERS OR SCOURING PADS ON THE RAZ SHOWER COMMODE CHAIR.**

**DO NOT SUBMERGE THE RAZ SHOWER CHAIR IN WATER.**

**RINSE THOROUGHLY AFTER CLEANING TO ENSURE THAT ANY SOAP OR DETERGENT RESIDUE IS REMOVED.**

**DO NOT USE CLEANING PRODUCTS WITHOUT CONSULTING THE PRODUCT'S INSTRUCTIONS AND TAKING APPROPRIATE PRECAUTIONS FOR HUMAN EXPOSURE TO CHEMICALS.**

### **7.0 CONTACTS**

It is important that the Raz Rehab Shower Chair be properly assembled and all adjustments be made carefully. Up-to-date manuals can be downloaded [here](#). For clarification of any section of this manual, contact the Canadian distributor or manufacturer.

## **IMPORTANT !**

**PRODUCTS THAT CAN NO LONGER BE USED ARE TO BE DISPOSED OF SEPARATELY FROM HOUSEHOLD WASTE. THIS MUST BE DONE ACCORDING TO THE LOCAL AND NATIONAL REGULATIONS FOR ENVIRONMENTAL PROTECTION AND RAW MATERIAL RECYCLING. PLEASE LOOK AT YOUR LOCAL GOVERNMENT WEBSITE FOR FURTHER INFORMATION ON THE CORRECT DISPOSAL.**

**IF IT IS EVER FELT THAT ANY ASPECT OF THE RAZ SHOWER CHAIR IS IN NEED OF MAINTENANCE, CONTACT YOUR DEALER. ANY PROBLEMS THAT COULD AFFECT THE SAFE USAGE OF THE CHAIR MUST BE ATTENDED TO IMMEDIATELY. THE DEALER THAT PROVIDED THE SHOWER CHAIR MUST BE CONTACTED SO THAT REPAIRS CAN BE MADE PRIOR TO USING THE CHAIR. IT MUST BE MADE CLEAR TO THE DEALER THAT THE SHOWER CHAIR IS IN NEED OF MAINTENANCE AND IS UNAVAILABLE FOR USE UNTIL REPAIRS HAVE BEEN UNDERTAKEN AND ALL PROBLEMS RESOLVED.**