



Bonn

Shower and Commode Chair

*Hygiene Equipment
Designed for People*

Rebotec Bonn

A durable, long lasting commode and shower chair with an easy-to-clean design.

CE

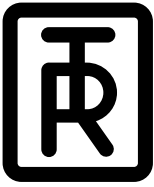


TR reserves the right to make design changes and/or

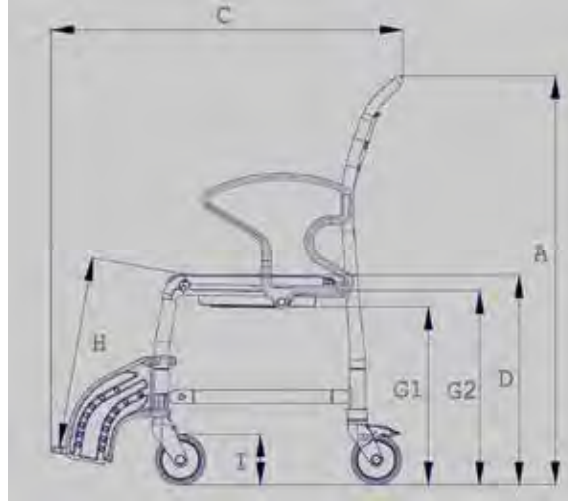
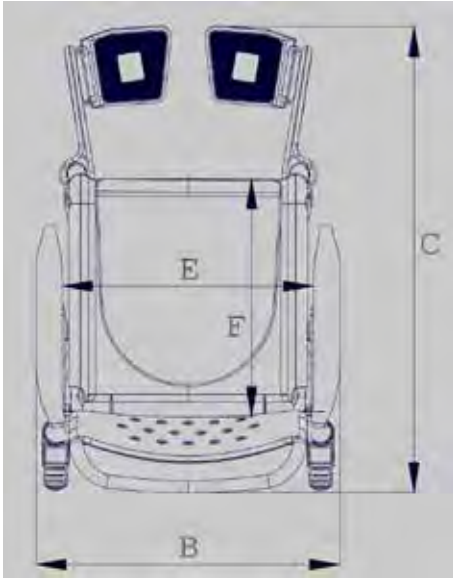
Rebotec Bonn has soft and durable polyurethane seat cover for comfortable seating and easy cleaning. The shower chair has 5" hospital grade swiveling and locking castors for secure transfer. Hygiene opening can easily be moved from the front to the back. Hygiene bucket with vacuum seal top included.



TR EQUIPMENT



Dimensions



Technical specifications

| Dimensions | | |
|--|----------|----------|
| A. Height | 101 cm | 40" |
| B. Width | 56 cm | 22" |
| C. Depth | 87 cm | 34" |
| D. Seat height | 53 cm | 20,8" |
| E. Seat width | 46 cm | 18" |
| F. Seat depth | 45 cm | 18" |
| G1. Max. height toilet (with pan receptacle) | 43 cm | 17" |
| G2. Max. height toilet (without pan receptacle) | 47 cm | 18,5" |
| H. Foot height | 33-48 cm | 13"-19" |
| I. Castor | 13 cm | 5" |
| Body weight max. | 130 kg | 290 lbs |
| Product weight | 11,9 kg | 26,2 lbs |

Equipment

- Ergonomically shaped backrest with integrated hand grip for caregiver aid
- Swinging armrests enable easy side transfer
- Height adjustable, swinging and removable foot supports standard
- 5" hospital grade swiveling and locking castors for secure transfers
- Durable polyurethane seat cover allows for easy cleaning
- Polyamide nylon construction guarantees no rust
- Hygiene bucket with vacuum seal top included
- Approved up to 290 lbs body weight
- Five year warranty on frame for long lasting confidence

Accessories

- Safety Belt for waist
- Belt Comfort Pad
- Arm rest
- IV Pole

Art no

322.30.20
322.10.50
440.10.32
440.00.93



TR EQUIPMENT