



Safety advisories



- Read the User Instructions before first-time use in order to avoid damages through improper use or other hazards.
- Be sure the maximum allowable weight for the crutch is not exceeded!
- Before each use, carefully check the crutch for damage. If damage is detected, then do not use the crutch. Contact your authorised dealer for a complete inspection!
- When using the handle, firmly grab it with your complete hand.
- For your safety, have someone accompany you so that they can provide support and help prevent you from falling down.
- Check the crutch end-tip on a regular basis for wear or damage. Replace if damaged or worn.
- Hold the crutches as vertically as possible on the surface. Do not hold the crutch too far out to the side, away from your body, or too far in front of you in the direction of travel.
- Under no circumstances may the crutch be used for foreign purposes. Use it only to assist your walking and not for example as an aid for getting up, as a lever for moving objects.
- No mechanical alterations may be made to the crutch without written permission (product liability!).
- Do not hang any objects on the crutch (handbags, shopping bags, etc.).
- Do not expose crutches to direct sunlight for long time periods (in front of windows, or next to heaters, or under the rear window of a car). Heat can lead to an alteration of the material properties and shorten the crutches' lifetime.
- If unused for an extended time period, have the crutch inspected by a specialist before re-using.
- Never use the crutch on snow or icy surfaces without first attaching the ice claws.
- Be very careful when walking on moist tiles, carpeting or parquet floors – **danger of slipping!**
- Never clean the grip handle or the crutch end-cap with an oily substance - **danger of slipping!**
- Be careful when walking on uneven surfaces and if there are holes in the ground because the crutch may slip away or sink unexpectedly!
- Be careful when using the crutch on loose gravel surfaces, sand or leaves because there is far less stability!

Technical specifications

(We reserve the right to make technical modifications without notice!)

Art-No.	Handle height from-to cm	Shoulder-height from-to cm	upholstery PUR	End tip side mm	Body weight max. kg
126.10.10	48,0-70,5	83,0-103,0	X	22	130
126.20.10	58,0-80,5	100,5-120,5	X	22	130
126.30.10	68,0-90,5	118,0-138,0	X	22	130
126.40.10	75,5-98,0	135,5-155,5	X	22	130
127.10.10	48,0-70,5	83,0-103,0	----	22	130
127.20.10	58,0-80,5	100,5-120,5	----	22	130
127.30.10	68,0-90,5	118,0-138,0	----	22	130
127.40.10	75,5-98,0	135,5-155,5	----	22	130
128.10	65,0-82,45	118,0-150,5	X	22-24	200
129.00	65,0-82,5	118,0-150,5	X	22-24	160

Spare parts

Art. No.	Name	Colour
200.10.20	End tip side 22 mm	black
200.50.20	End tip side 22 mm	blue
200.85.20	End tip side 22 mm	green
201.30.36	clip 22 mm	fire-red

Accessories

Art. No.	Name	Colour
168.10.22	Anti-slip buffer „Big-Foot“, 22-24	black

Product warranty applies only to the first use of the product described in this User Instructions. If the product is to be given further again after the first use, then it must be checked over by an authorised dealer or by the manufacturer.

This inspection should prevent an improper use through possible or directly visible damages. We defer to the conditions of the German Medical Products Act (MPG) and the German MPBetreibV (Medical Products Use Regulation). Be sure to check your national and local regulations.

The expected lifetime of the product described in these User Instructions, when properly used according to the instructions for use, safety regulations and maintenance requirements, and when properly cared is 12 months.

Beyond this time period, the product may be used further only when it is in a proper and safe condition. Maintenance should be done at least every 6 months. Heavy use and harsh conditions by the patient on the crutch may necessitate even more frequent maintenance.



REBOTEC

REBOTEC® Rehabilitationsmittel GmbH



BA No.: 02.02.005/2016-12

User Instructions

Shoulder Crutches

1. Children's Shoulder Crutches
2. Teens/Ladies' Shoulder Crutches
3. Standard Shoulder Crutches
4. Extra-Long Shoulder Crutches
5. BIG Shoulder Crutches



1.

2.

3.

4.

5.

Intended proper use

The Shoulder crutch is designed for persons with impaired walking ability, as well as limited hand/arm function. It serves to provide more security when walking. This crutch can be used inside and outside. The crutch may be pushed together (telescoping) to make it more compact for easier transport.

Always be sure to observe all the safety advisories and the maximum allowable body weight when using the crutch!

Have yourself advised by a qualified specialist or care-provider on how to properly use the crutch and for its proper adjustment for optimum function!

Assembly and First-time Use

A. Height Adjustment-Shoulder Crutches (1. to 4.)

Height adjustment is done by the telescoping aluminium tubing with clip adjustment.

1. Adjust Armpit Height

To adjust each grip handle – and armpit height, remove the red clips (A–B) using the appropriate tool. Position the tool in the space between the grip handle and clip (D), and rotate.

2. Adjust the Armpit Upholstery

Next adjust the needed height of the armpit upholstery (F/F). Be sure there is coverage of the hole (6.2mm) in the aluminium tube.

3. Adjust Handgrip

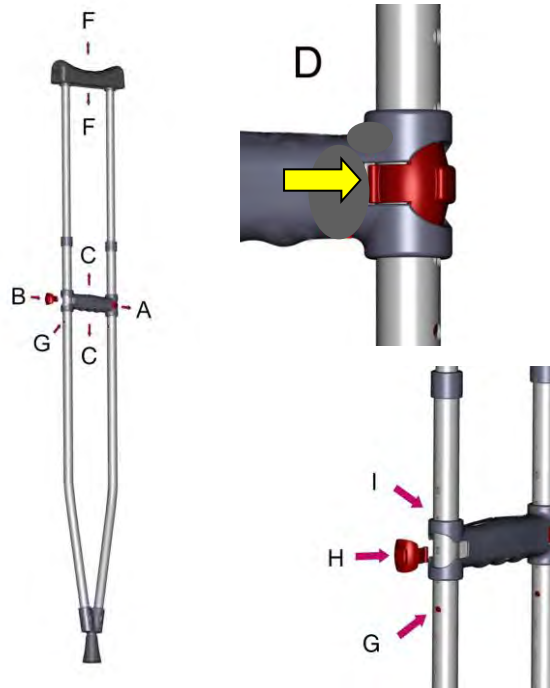
Next, set the individual height of the handgrip (C–C). Be sure there is coverage of the hole in the area (A–B). Also be sure that the guide of the handgrip also covers a hole over and under (I).

For large armpit upholstery height adjustments, the red interior plug (G) inside the tube, visible through the hole, must be at least one hole lower than the clips (A–B). Now press the red clips (H) in their final position.

4. Final Check

Finally, check to be sure the armpit upholstery is firmly seated in the (F–F) direction, and to be sure the handgrip is firmly in position along the (C–C) direction. The shoulder crutch is now ready for use.

5. Figures



B. Height Adjustment-BIG Shoulder Crutches (5.)

Height adjustment is done by the hole clicks with screw connections

1. Adjust Armpit Height

Using an open end SW 13 spanner, loosen the rounded nuts (K) and pull out the threaded bolts. Slide the lower tubing to the desired armpit height – watch out for the hole click – insert the threaded bolt and attach the rounded head nuts (K) and tighten.

2. Adjust Handgrip Height

Using an open end SW 13 spanner, loosen the rounded nuts (J) and pull out the threaded bolts. Place the anatomic handgrips in the desired positions – pay attention to the right and left designs, and the hole click as well. Insert the threaded bolt and attach the rounded head nuts (J) and tighten. The BIG shoulder crutch is now ready for use.



Care

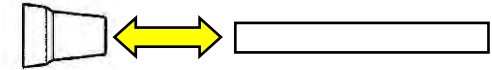
To care for the crutches, use a mild commercially available cleanser and disinfection agent. After cleaning, wipe them with clean water and then wipe dry with a cloth.

Do not use an abrasive scouring agent or cleaner (read the product instructions!) that contain aggressive solvents (acids, benzene, thinners, alcohol). Do not use stiff cleaning brushes, as these will damage the plastic surfaces or cause deposits to build up on the plastic parts and other materials.

When using a disinfectant, be sure to abide by the manufacturer's instructions during use!!

Maintenance

A worn or damaged crutch end-cap (wear-part) must be replaced immediately. Pull off the crutch end-cap from the end of the tube. Push on a new end-cap until it hits the end of the tube. Be sure the right size and design are used, see table.



Bent or damaged crutches may not be used because they no longer provide the necessary stability. Because of the risk of breakage, bent crutches may not be repaired by straightening. In the event a crutch is damaged, then have it repaired by an authorised sales and service dealer

Use only original REBOTEC spare parts.

Have your crutch inspected by a qualified specialist at least every 6 months.

Disposal

Products that are no longer useable must be properly disposed of according to national and local regulations for environmental protection and material recycling. They must be kept separated from regular household refuse. Contact your local disposal company or environmental authorities.

Warranty

We provide a warranty period of **1 year** for the crutches described herein. Wear and damage resulting from product misuse are excluded. Also wear parts are excluded.