

# Tricycle

R120, R130 & R140 Product Manual



# Contents

---

Safety messages	3
Recommended use and item dimensions	4
Important information and check your order	5
Basic components	
Trunk support system	6
Backrest pad	7
Seat and parking brake	7
Handlebar and handbrake	8
Accessories	
Headrest and front guide bar	9
Rear steering bar	10
Abductor and communication tray	11
Stationary stand	12
Operation	13
Maintenance and cleaning	14
Warranty, materials and user modifications	15

## **WARNING**



- Thoroughly read and understand the information in this product manual before attempting to use this product. If the procedures and instructions in this product manual are not followed, serious injury or death could occur.
- A qualified professional must assess the appropriateness and safety of all equipment for each user.
- This product is intended for use by clients of unreliable judgment. Adult supervision is required at all times.
- To prevent falls and injuries:
  - Do not use this product on rough and uneven terrain, around swimming pools, or near stairways.
  - Ensure the appropriate use of straps and supports at all times. Straps and supports are provided for the safety of the user and must be carefully adjusted for comfort and security.
  - Tighten all adjustment knobs before use and immediately after making any adjustments.
  - Fasten all safety belts.
  - Do not use the Rifton Tricycle for clients with strong involuntary movements, poor body balance, or limited head control
  - To prevent injury, client should always wear shoes and a protective helmet.
- To prevent falls, strangulation, head entrapment or other injuries, always use seatbelt when the butterfly harness or headrest are in use.
- Do not use this product for clients outside the height and weight limits specified in this manual.
- To prevent structural failure, which may result in serious injury or death:
  - Inspect this product and accessories regularly for loose or missing screws, metal fatigue, cracks, broken welds, missing attachments, general instability or other signs of excessive wear.
  - Immediately remove this product from use when any condition develops that might make operation unsafe.
  - Do not use Rifton components or products for any purpose other than their intended use.

## Recommended use

The Rifton Tricycle is a Class 1 medical device. It can be used for therapeutic reciprocal exercise for maintaining of range of motion and strength, or for recreational purposes for children and adolescents with disabilities. Chain drive from pedals to rear wheel offers the following advantages:

- Pedaling is slightly forward of the seat instead of at front wheel as with many other tricycles. This provides a more efficient, comfortable and natural posture.
- Steering is separate from pedaling, reducing the coordination needed to pedal and steer the tricycle.

## User and item dimensions

User dimensions – inches (cm)	R120 small	R130 medium	R140 large
Inside leg length	17–22 (43–56)	22–28 (56–71)	25–35 (64–89)



### Key user dimension: inside leg length

The extended leg should reach from seat to pedal comfortably when both feet and torso are strapped into place.


**Important:** User’s weight must not exceed the maximum working load. Rifton Tricycles are not intended for children with strong reflexes or poorly developed trunk balance and head control. Consult your child’s therapist before ordering.


Item dimensions – inches (cm)	R120 small	R130 medium	R140 large
Overall height	37 (94)	40 (102)	53 (135)
Overall length	45 (114)	52 (132)	65 (165)
Overall width	27 (69)	27 (69)	31 (79)
Wheel diameter	13 (33)	15 (38)	19 (48)
Seat center to extended pedal	17–22 (43–56)	22–28 (56–71)	25–35 (64–89)
Gear ratio (approximate)	1:1	1:1	1:1
Item weight – lbs (kg)	47 (21)	56 (25)	65 (29)
Max. working load – lbs (kg)	150 (68)	160 (73)	200 (91)


Tray dimensions – Inches (cm)	small	large
Inside dimensions	8½ x 12½ (22 x 32)	11½ x 13½ (29 x 34)
Max. working load – lbs (kg)	10 (5)	15 (7)

## Key for users

Use this key to determine which sections of this product manual apply to you.

 **Technical Users** For professionals who order and set up Rifton products.

 **Home Users** For care-givers who use Rifton products on a regular basis.

 **Maintenance Personnel** For anyone who is responsible for service or re-ordering of Rifton products and parts.

## Check your order

Tricycle main frame, handlebar assembly, backrest assembly, front guide bar (if ordered), accessories for the tricycle, and this product manual ship together. Rear steering bar (if ordered) and stationary stand (if ordered) ship in separate cartons.

You may not have ordered all of the available accessories, but use the diagrams that follow to confirm that your order is complete.

# Basic components

## Trunk support system

**⚠ WARNING** To prevent falls, strangulation, head entrapment or other injuries:

- Always use seatbelt and lateral supports when butterfly harness is in use.
- Ensure correct adjustment and positioning of the butterfly harness at each use (see Figure 6a).
- Ensure that the backrest tube extends beyond the front edge of the clamp (E).
- Do not adjust seat while a rider is on the trike.



Figure 6a

### Recommended use

The trunk support system aids users who have difficulty remaining upright while sitting. It can be used to correct excessive leaning toward one side.

**Attaching:** (see Figure 6b)

1. Remove knob (A) and clamp channel (B) from trunk support.
2. Place assembly on backrest tubes (C) in the position shown, with the bolt facing the rear.
3. Place clamp channel (B) and knob (A) on the bolt and tighten securely.
4. Repeat procedure for lower ring attachment bar (D).

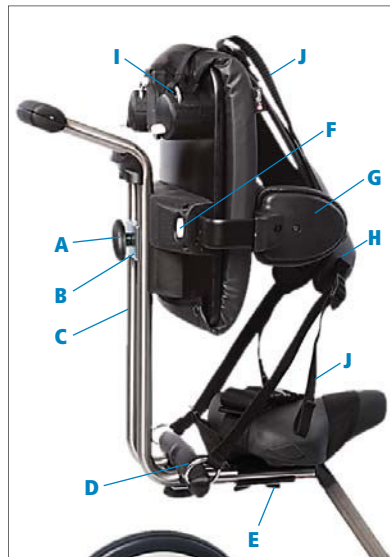


Figure 6b

### Transfers and adjustments:

(see Figure 6b)

1. Push oval release button (F) to remove lateral supports (G).
2. Seat the user on the tricycle, and re-position the lateral supports using the oval release buttons (F) to make any

necessary adjustments to the lateral supports (see Figure 6b).

3. If desired, clip on butterfly harness (H) using the ring attachment points (D and I) and adjust strap lengths with strap adjusters (J) (see Figure 6b).

## Backrest pad

### Attaching:

1. Remove knob and clamp channel (A) below seat.
2. Slide backrest tubes out.
3. Turn backrest upright (see Figure 7a) and attach with clamp channel and knob (A) below seat.
4. Attach additional backrest pad (B) if needed.

### Adjusting:

Backrest pad adjusts vertically 12" (30.5 cm) above seat with knob (C), and 3½" (9 cm) horizontally with knob (A).

## Seat

### Adjusting:

To adjust seat height, loosen knob (D) move seat to desired position, then partially tighten knob (D). Move the seat up and down slightly to engage the pin in the nearest seat post hole. Tighten knob (D) securely (see Figure 7b).

## Parking brake

The parking brake (E) stabilizes the tricycle while the rider is getting on or off. It is for use on flat surfaces only. Brake can be operated by hand or foot (see Figure 7c).



Figure 7a



Figure 7b



Figure 7c

## Handlebar and handbrake

Hand brake is not available on the small tricycle.

### Recommended use:

A conventional handlebar (see Figure 8a) or loop handlebar (see Figure 8b) can be used with your Rifton tricycle. Hand brake (C) allows the user to slow and stop the tricycle.

### Adjusting the conventional handlebar:

(see Figure 8a)

Handlebar height adjusts  $3\frac{5}{8}$ " (9.2 cm) with knob (A).

### Adjusting the loop handlebar:

(see Figure 8b)

Rotate handlebar toward or away from rider by loosening the two oval knobs (B). Secure in required position by tightening both knobs.

Handlebar adjusts vertically  $3\frac{5}{8}$ " (9.2 cm) with knob (A).

### Operating the hand brake:

The hand brake (C) allows the user to slow and stop the tricycle.

For the loop handlebar ONLY: the hand brake (C) can be positioned anywhere on the loop handlebar using the hook and loop strap (D) provided.



Figure 8a (Conventional handlebar)

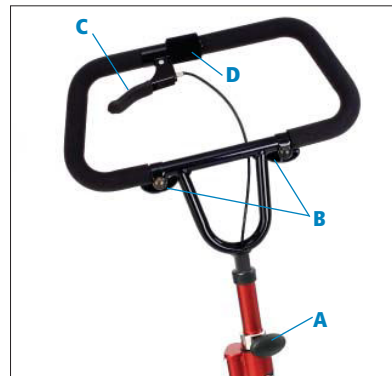


Figure 8b (Loop handlebar)



## Accessories

### Headrest

Two headrests are available for use with the trunk support system only. One is flat the other contoured.

#### Attaching:

Press white oval button (A) and insert metal headrest bar into slot (see Figure 9a). Release button to engage headrest and click into place.

#### Adjusting:

Press white oval button (A) and raise or lower headrest. Release button to engage and click into place.

To adjust depth and angle of headrest, loosen both black knobs (B). Move headrest to desired position and tighten both knobs securely.



Figure 9a

### Front guide bar

#### Recommended use:

The front guide bar allows the caregiver to guide and move the tricycle from the front (see Figure 9b).

#### Attaching:

The clamp cannot be attached with the handlebar in the lowest position. Once the clamp is in place the handlebar can be fully lowered.

1. Loosen knob (A) as far as it goes to open clamp.
2. Attach front guide bar to handlebar as shown.
3. Tighten knob (A).



Figure 9b

## Rear steering bar

**CAUTION** To prevent pinching or crushing, ensure adequate clearance between the handlebar and push rod (C) during left turns. Do not use a very low handlebar position with a high support bar (A) position (see Figure 10a).

### Recommended use:

The rear steering bar enables the caregiver to guide the tricycle from behind (see Figure 10b).

Before attaching, check the size numbers on the short tube of the rear steering bar to ensure that the rear steering bar is the correct size for the tricycle (R120, R130, or R140).

### Attaching:

 (see Figure 10b)

The clamp (F) cannot be attached with the handlebar in its lowest position. Once the clamp is in place the handlebar can be fully lowered.

1. Attach the support bar (A) to the backrest tubes. The clamp channel and oval adjustment knob (B) should face the rear.
2. Snap the push rod (C) into the guide loop (D).
3. Use the clamp knob (E) to open the clamp (F), and then place it over the handle bar U-tube and tighten it.

### Adjusting:

 (see Figure 10b)

To raise or lower the support bar (A) loosen knob (B) place in desired position and tighten knob (B) again.



Figure 10a



Figure 10b

## Abductor

### Recommended use:

The abductor is for children who require knee separation or abduction.

### Attaching:

Place abductor onto tubes with large end of bracket facing down. Bracket fits snugly onto slanted frame tubes (see Figure 11a).



Figure 11a

## Communication tray

**CAUTION** To prevent falls and injury, do not use the tray as a body support.

### Recommended use:

The communication tray provides a surface for personal communication devices and other activities. Communication sheets can be placed under the false bottom and electronic devices can be secured to the tray. The tray is easily removed when not in use (see Figure 11b).



Figure 11b

### Attaching and adjusting:

1. Attach tray to the handlebar by loosening the tray knob (E) and placing it over the handlebar in location shown.
2. Tighten knob (E) while holding the tray at desired angle.
3. To attach a communication sheet, push through the holes in bottom of tray to remove cover. Insert sheet and replace cover.

## Stationary stand

**⚠ WARNING** To prevent falls and injury, the stand should be centered laterally on the length of the rear axle (see Figure 12a).

### Recommended use

The stationary stand converts your tricycle into a stationary trainer, for learning the basic motions of pedaling (see Figure 12a-12c).

### Attaching:

1. Place the stand on the floor in the desired location.
2. Lift the tricycle's rear axle into the correct notch on the stand (see Figure 12c). Use the lowest position for the R120 (small), the middle for the R130 (medium), and the highest for the R140 (large) Rifton Tricycle.



Figure 12a



Figure 12b



Figure 12c

## Operation

Adjust seat height so that the distance from seat to foot pedal approximates the key user dimension of the client's inside leg length. The client's extended leg should reach comfortably from seat to pedal when both feet and torso are strapped into place. Approximate the height of the trunk support system so it is appropriate for client's seat to shoulder height (or adjust backrest height if used.) Approximate the optimal position for the handlebar, and make sure the handlebar is out of the way prior to transfer. Make sure the straps on the foot pedals are open and ready for feet placement. Apply the parking brake.

Assist client to transfer to a seated position on the tricycle seat, making use of the low transfer step as needed. Secure the seatbelt immediately when client is seated.

Finalize positioning adjustments for trunk support system and handlebar. Adjust and add further accessories as needed: ie, the support laterals and butterfly harness of the trunk support system (or backrest pad strap if used), the headrest, the abductor, and sandal straps.

# Maintenance 🛠️

This product is designed and tested for an expected life of 5 years when used and maintained in accordance with this manual. At all times, users must ensure that the product remains in a safe and useable condition, including regular maintenance and inspections as specified in this manual.

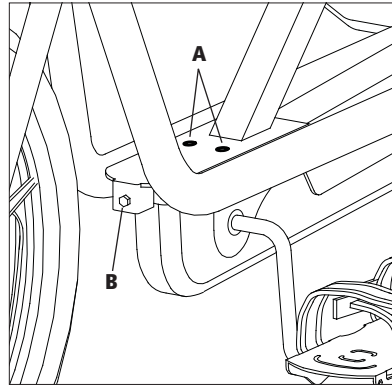
To prevent structural failure, which may result in serious injury or death:

- Inspect this product and accessories regularly for loose or missing screws, metal fatigue, cracks, broken welds, missing attachments, general instability or other signs of excessive wear.
- Immediately remove this product from use when any condition develops that might make operation unsafe.
- Do not use Rifton components or products for any purpose other than their intended use.
- Replace or repair components or products that are damaged or appear to be unstable.
- Use only Rifton authorized replacement parts. Order information for replacement parts is provided on the back of this product manual.

**Chain is oiled in the factory.** If maintenance to chain is required, remove pan by pulling upward on the back of the pan, then remove screw from the side of the chain guard. Retain the screw. Remove chain guard by pulling upward to release from axle. After servicing the chain, the chain guard and screw must be replaced. Snap pan back into place.

**Chain tension is factory set.** Should it need tightening, do the following:

1. Slightly loosen the two cap screws (A) on top of crank case using a hex head wrench.
2. Use the same size wrench to tighten the cap screw (B) at the front of the plate until slack is removed from chain. Do NOT overtighten.
3. Retighten the two cap screws on top of crank case.



# Cleaning 🧑🏠 🛠️

As needed, clean Trike with disinfectant wipes or a solution of up to 10% bleach. Do not use excessive amounts of water.

The straps with hook and loop closures may be laundered. Engage the closures before washing. Do not iron.

## Warranty Statement


If a Rifton product breaks or fails in service during the first year, we will replace it free of charge.

## Materials

- Steel hardware items (nuts, bolts, screws, etc) are typically zinc or nickel plated, or stainless steel.
- Upholstery items (pads, support blocks, padded prompts, etc) are typically polyurethane foam with a fire-retardant cover made from expanded vinyl.
- Frames are typically steel or aluminum tubing, welded together, and coated with a baked-on paint finish. Some frame components may also be stainless steel.
- Tires are tubeless, filled with polyurethane foam, and do not require inflation.
- Straps are typically made of polypropylene or nylon webbing.
- Plastic components are typically injection molded from a variety of industrial resins.

All materials are latex, lead and phthalates free.

## User modifications

** WARNING** To prevent serious injury or death, do not modify or alter Rifton products or components, or use Rifton products or components in conjunction with products from other manufacturers. Rifton does not accept responsibility for any modifications or alterations made to our components or products after they leave our premises. Customers modifying or altering our components or products, or using them in conjunction with products from other manufacturers, do so at their own risk.