

The Safety Sleeper™

Congratulations on the purchase of your SAFETY SLEEPER!
Keep these directions handy as you begin to assemble the Twin/Single bed.

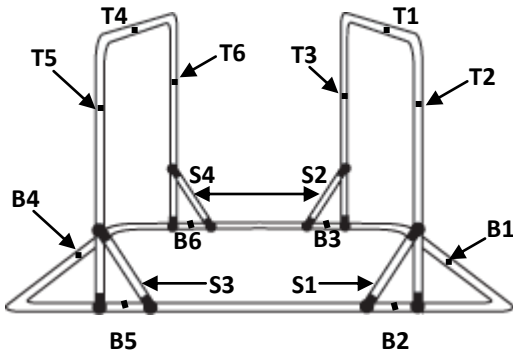
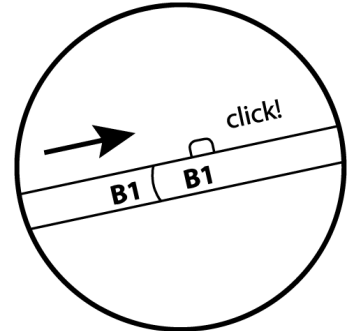
Wash the enclosure before assembling (see washing instructions below). It is best to assemble the frame in the same room it will be used, no tools are required for assembly.

All metal frame pieces are labeled T for Top or B for Base. **There are 14 separate pieces:**

- 6 Base pieces. Each piece will have 2 of the following labels—B1, B2, B3, B4, B5, B6.
- 8 Top pieces. Each piece will have 2 of the following labels—T1, T2, T3, T4, T5, T6.
- Four support pieces are already connected to the top & labeled S1, S2, S3, S4.

Build the frame:

1. Lay all six pieces labeled B1 thru B6 on the ground with labels facing up.
2. Connect like parts (B1 to B1, B2 to B2, etc.) in numerical order by pushing in button & sliding together until button clicks into place. (see diagram on right)
3. After connecting B1 through B4. Align the B5 & B6 pipes across from each other and connect them to their counterparts at the same time to ensure they snap together properly.



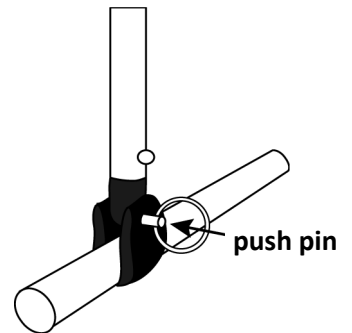
Build the top frame and connect to the base:

1. Assemble T1-T3 and T4-T6 by connecting like parts.
2. Line up T1-T3 top piece with the B1-B3 base piece making sure support pieces are facing inward and match the correct jaw slide (S1 to S1, S2 to S2).
3. Place the T1-T3's eye ends (connection points) into jawslide. Making sure the holes on each piece are lined up, slide push pin w/toggle (attached to the jawslide) through to secure the top piece to the base on each side. Then secure the support pieces the same way. *The push pin pieces must be aligned to push it through, then flip toggle to secure in place.
4. Repeat with T4-T6 top piece & B4-B6 end of base.

5. To release the push pins, push the head of the pin, align the toggle, & pull out.

Attach enclosure to frame:

1. Top of enclosure has two zippers to attach it to the frame.
2. Lay enclosure with zippers facing up on the floor, inside base of the frame.
*Note: the "foot" of the enclosure is the side with the zippered pocket used to house the mattress.
3. Wrap sides of each zipper around the top horizontal bars of metal frame & zip all the way across to secure.
4. Bed may be placed on top of box spring for added comfort, or remain on the floor.



Insert mattress: Unzip pocket at the foot end of enclosure & slide mattress inside.

*Mattress will slide under the coverlet. Zip Shut.

Remove/Change Coverlet:

1. Unzip the mattress pocket at the foot end of the enclosure to gain access to the coverlet zipper.
2. Unattach Velcro locking system and start to unzip coverlet.
3. Open the door of the bed to give yourself more access & continue unzipping the coverlet from around the mattress until coverlet is separated completely. (Do this process in reverse to reattach coverlet.)

WASHING & HANDLING INSTRUCTIONS—WASH BEFORE FIRST USE.

Fabric & Mesh: 100% Polyester Material Flame Resistant. Bias Binding 50% Cotton/50% Polyester. Webbing: 100% Polypropylene. Machine wash on delicate cycle, front loading machine only. All ZIPPERS must be CLOSED before washing. Tumble dry low heat only or line dry. DO NOT USE FABRIC SOFTENER OR BLEACH. Do not iron. Do not dry clean.

DISCLAIMER: For proper use, care & assembly, all instructions must be specifically adhered to. Wash before first use of this product. Bed is not intended for use as a toy, play equipment or as a disciplinary device.

⚠ WARNING

- ALWAYS follow assembly instructions.
- Use ONLY the recommended size mattress.
- Pillows/Blankets are NOT recommended for use with this product.