



**Feather-light with convenient handle for easy room-to-room transfer**

**Durable and strong: safely lifts persons up to 440 lb**

**Long-lasting battery and ultra-fast charge for maximum up-time**

**Ideal for home use**

# Savaria® Monarch portable ceiling lift

## HOME CARE FLEXIBILITY & CONVENIENCE



The Monarch portable ceiling lift is an ideal solution to care for your loved one at home. It gently and securely lifts and transfers the user – with dignity and comfort – from bed to bath or other locations. All effortlessly for the caregiver. Lightweight, with a carabiner hook and carry handle, it is easy to detach and transport from room-to-room.

What's more, the Monarch is long-lasting and quick to charge thanks to the latest in battery technology – the same as is used in sturdy power tools, laptops... and electric cars! Whether you need a long-term or temporary solution, for one or more rooms, the Monarch ceiling lift is a flexible home care solution for you and your family.

# Savaria® Monarch portable ceiling lift

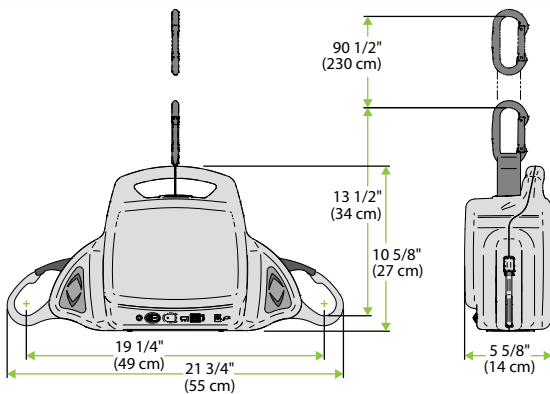
## HOME CARE FLEXIBILITY & CONVENIENCE



- Weighs only 11 lb (5 kg) – one of the lightest on the market!
- Sleek, compact design is perfect for home use; carry handle and carabiner hook make transfer from room-to-room fast and easy
- Available in 286 lb (130 kg) and 440 lb (200 kg) capacity models to accommodate a range of patient weights
- Long-lasting and fast charging battery – delivers 50% more lift cycles per charge than industry average, recharges from full depletion in only 2 hours, and has no memory effect
- Easy-access controls on the lift and controller raise and lower gently yet efficiently
- Optimal spreader bar width for patient comfort
- Safety features – including a secure sling mechanism to prevent inadvertent detachment, and an emergency lowering system – offer peace of mind
- Universal slings with adjustable head support, and hygienic slings available in mesh or solid material to suit your needs
- Compatible with Monarch trolley and track components as well as most other track systems (assessment required); a great solution if you want a new lift that is lighter and more reliable

## SPECIFICATIONS

Applications	Patient lifting, room-to-room transfer, temporary or long-term use, residential or institutional use
Product weight	11 lb (5 kg)
Maximum load	286 lb (130 kg) or 440 lb (200 kg)
Lifting speed	2.2"/sec (5.5 cm/sec) at 0 lb 2"/sec (5 cm/sec) at 286 lb (130 kg) 1.8"/sec (4.5 cm/sec) at 440 lb (200 kg)
Battery type	Lithium-ion, 25.2V 2500 mAh
Lifts per charge	Approximately 80 cycles of 24" (61 cm) at 200 lb (91 kg)
Battery charging	Full capacity in approximately 2 hours
Warranty	1 year limited warranty
Compliance	Meets all international certification and compliance standards for medical devices



Authorized Savaria Dealer:

