

SB3t

ROLL-INBUDDY - TILT

For roll in showers



The SB3t mobile shower chair from Showerbuddy is perfect for accessible or roll-in showers. It can roll straight over most toilets and into the shower, reducing manual handling and transfers for caregivers and can also be used as a commode chair.

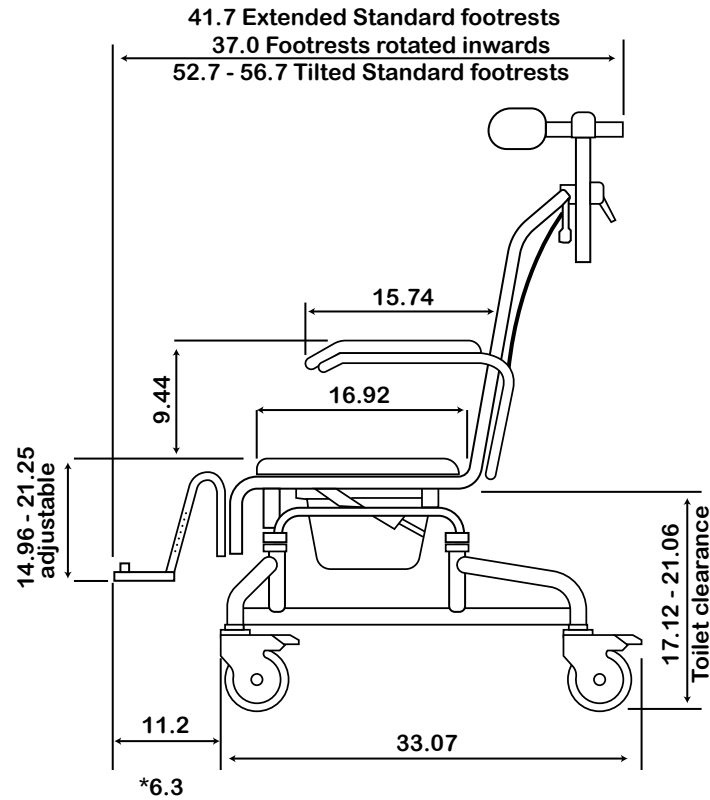
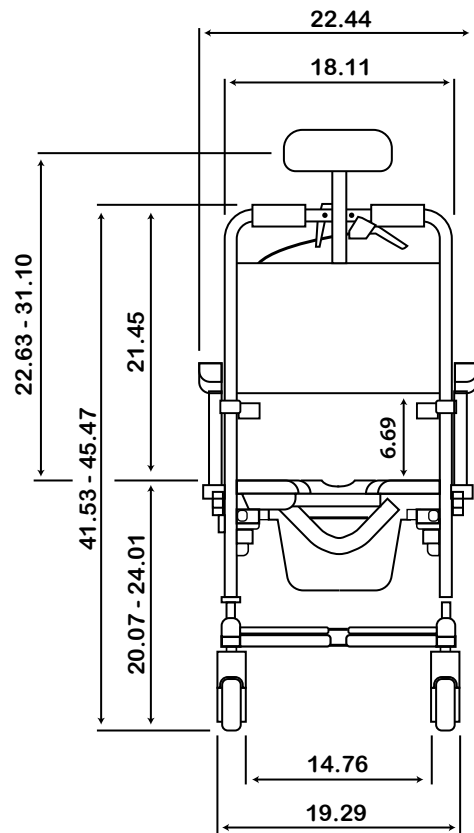
The tilt function releases pressure for the user and improves comfort and well-being. The SB3t shower chair with tilt incorporates the same safety features and corrosion-resistant materials standard to all Showerbuddy products.

The SB3t Roll-InBuddy Tilt is lightweight, durable and easy to use with a lifetime warranty on the frame.

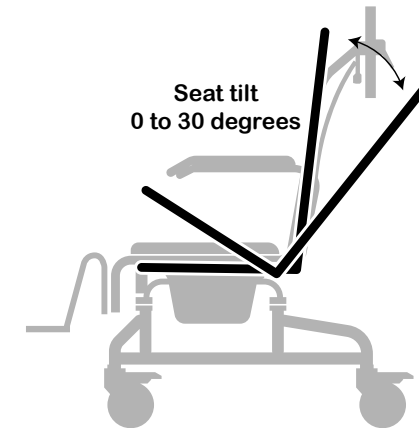


SB3t

Dimensions = Inches



*Footrest rotated inwards

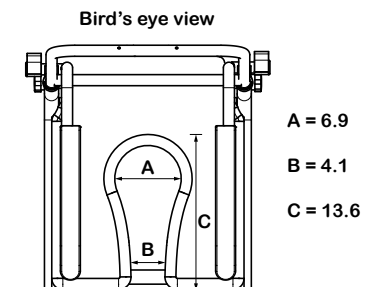


Product features:

- Weight capacity - 550lb
- Tilt angle 0 – 30 degrees, infinite positioning
- Rolls over most standard toilets
- Low maintenance
- Arms - removable / lockable / flip-back
- Height adjustable
- Safety mechanisms
- Footrests - removable and swing away, height adjustable
- No rust aluminum frame (Grade 6061 T6)
- Stainless steel parts and hardware (Grade 304)
- Safety belts - lap & chest belts plus calf strap
- Caster Wheels - 5" x 4 locking
- Commode system
- Neck rest, fully adjustable
- Tool-free assembly

Accessory items

- Refer to the accessory pages or on our website



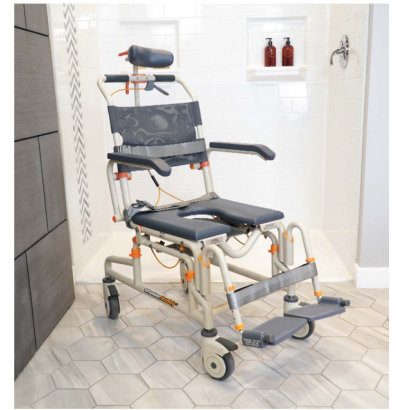
SB3T ROLL-IN BUDDY TILT

For roll in showers

The SB3t mobile shower chair from Showerbuddy is perfect for accessible or roll-in showers. It can roll straight over most toilets and into the shower, reducing manual handling and transfers for caregivers and can also be used as a commode chair.

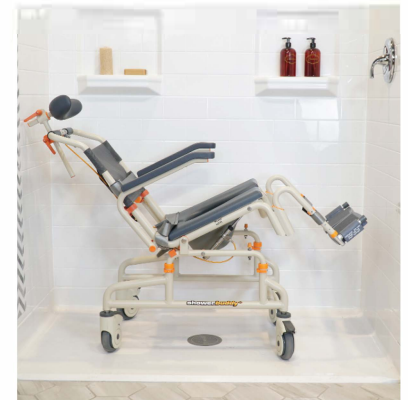
The tilt function releases pressure for the user and improves comfort and well-being. The SB3t shower chair with tilt incorporates the same safety features and corrosion-resistant materials standard to all Showerbuddy products.

The SB3t Roll-InBuddy Tilt is lightweight, durable and easy to use with a lifetime warranty on the frame.



Product Features:

- Weight capacity - 250kg
- Tilt angle 0 – 30 degrees, infinite positioning
- Rolls over most standard toilets
- Low maintenance
- Arms - removable / lockable / flip-back
- Height adjustable
- Footrests - removable and swing away, height adjustable
- No rust aluminum frame (Grade 6061 T6)
- Stainless steel parts and hardware (Grade 304)
- Safety belts - lap & chest belts plus calf strap
- Caster Wheels - 125mm x 4 locking
- Commode system
- Neck rest, fully adjustable
- Tool-free assembly



Product Dimensions:

- Chair Width - over caster wheels 490mm
- Chair Width - over arms 570mm
- Chair Width - Inside Arms 475mm - smaller users see accessory pages
- Chair length - including footrest 1060mm (940mm with footrests fitted inwards)
- Chair Tilt 0-30 degrees with infinite positioning and lock
- Backrest Width 460mm
- Backrest Height from Cushion to top 440mm
- Toilet Height Clearance (maximum) 535mm
- Toilet width clearance at narrowest 375mm (at casters)
- Toilet clearance can depend upon the shape of the toilet pan
- Seat Cushion Dimensions 460 W x 430mm D
- Seat Height from Floor 510mm to 610mm (Adjustable)
- Seat Cushion Opening 175mm W x 335mm L
- Box Dimensions L 840mm x W 580mm x H 760mm
- Box Gross Weight 27.4kg

