

SB2 TUBBUDDY

For transfers over a bath tub

The SB2 bath transfer system from Showerbuddy is designed to allow a user to be safely transferred by a caregiver over a bathtub to shower without costly bathroom remodeling.

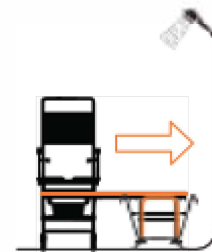
The SB2 TubBuddy eliminates unnecessary transfers between toileting and bathing making it comfortable for both user and caregiver, while reducing costs and contributing to good user hygiene.

Product Features:

- Weight capacity - 250kg
- Rolls over most standard toilets
- Arms - removable / lockable / flip-back
- Height adjustable
- Safety mechanisms & side stabilizers on bath base
- No rust aluminum frame (Grade 6061 T6)
- Stainless steel parts and hardware (Grade 304)
- Footrest - fold-up foot rest on rolling base and on bath base
- Safety belts - lap & chest belts
- Caster Wheels - 125mm x 4 locking Commode system
- Tool-free assembly

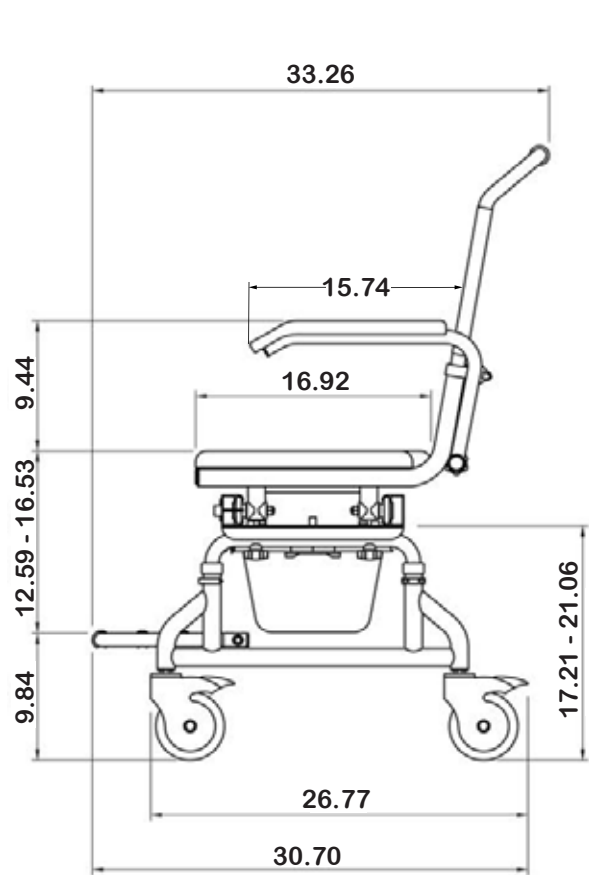
Product Dimensions:

- Chair Width - over caster wheels 490mm
- Chair Width - over arms 570mm
- Chair Width - Inside Arms 475mm - smaller users see accessory pages
- Chair Length - including footrest 845mm (745mm excluding)
- Backrest Width 460mm
- Backrest Height from Cushion to top 440mm
- Toilet Height Clearance (maximum) 535mm
- Toilet Width clearance at narrowest 375mm (at casters)
- Toilet clearance can depend upon the shape of the toilet pan
- Bridge Length (Standard) 300mm or Accessory 200mm or customized, see Accessories
- Seat Cushion Dimensions 460 W x 430mm D
- Seat Height from Floor 575mm to 675mm (Adjustable)
- Seat Cushion Opening 175mm W x 335mm L
- Bath Tub Base unit width over feet 335mm
- Bath Tub Height from floor 535mm maximum or use RBE24 Chair Height Extender accessory
- Bath Tub Depth up to 530mm maximum or use TBE24 Bath Base Height Extender accessory
- Bath Tub width for stabilisers 440mm - 680mm
- Box Dimensions L 680x W 580x H 810mm
- Box Gross Weight 32.4kg

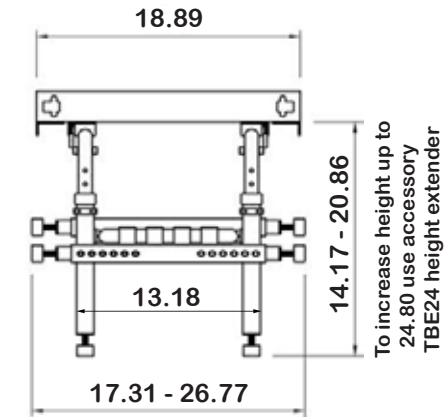
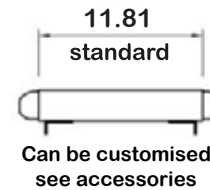
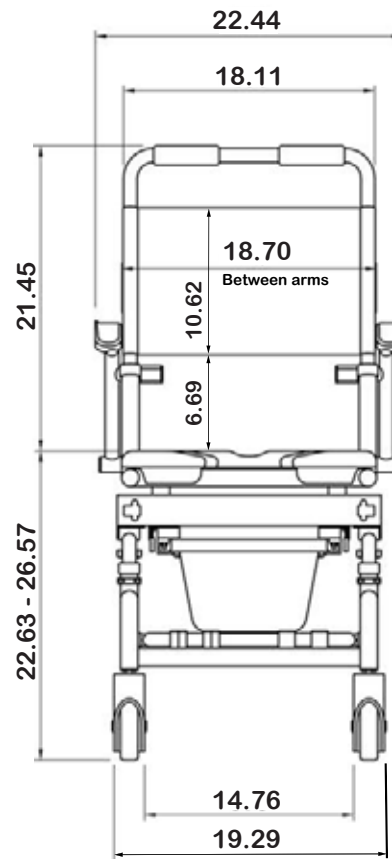


SB2

Dimensions = Inches



Toilet clearance
For bath tubs higher than
535mm use accessory
RBE24 height extender



Product features:

- Weight capacity - 550lb
- Rolls over most standard toilets
- Low maintenance
- Arms - removable / lockable / flip-back
- Height adjustable
- Safety mechanisms & side stabilizers on bath base
- No rust aluminum frame (Grade 6061 T6)
- Stainless steel parts and hardware (Grade 304)
- Footrest - fold-up foot rest on rolling base and on bath base
- Safety belts - lap & chest belts
- Caster Wheels - 5" x 4 locking
- Commode system
- Tool-free assembly

Accessory items

- Refer to the accessory pages or on our website

