

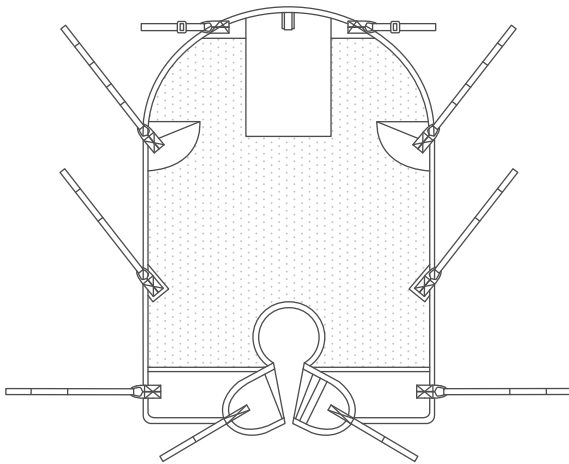
# Fastfit Deluxe Hammock Sling

MESH

SUPERFINE PLUS™

WITH LOOPS

- The Fastfit Deluxe Hammock sling is a full-body supporting patient transfer sling with divided leg, this sling is suitable for a wide range of patient scenarios.
- Leg sections have been shaped to allow for additional support to the thigh and hip area.
- Small aperture for toileting. The Fastfit Deluxe comes with good back and leg support as well as hip tapes as standard
- This sling is particularly suited for patients with arthritis and/or hip issues.
- Suitable for geriatric patient transfers as well as general patient transfers.
- Available in two material types:  
**Superfine PLUS™** (100% polyester spacer fabric; superior comfort over standard sling fabrics; easy application, suitable for bathing.)  
**Mesh** (100% polyester open weave mesh; high density, durable, used for bathing as quick drying.)



**A**

Shoulder circumference

**B**

Top of head to base of spine

				Superfine PLUS™	Mesh
Small	34–37.5in (86–96cm)	19.5–22.25in (50–57cm)		M921509-S	M921510-S
Medium	37.5–42.5in (96–108cm)	22.5–25in (57–64cm)		M921509-M	M921510-M
Large	42.5–51.25in (108–130cm)	25–27.25in (64–69cm)		M921509-L	M921510-L
XLarge	51.25–56.5in (130–144cm)	27.25–29in (69–74cm)		M921509-XL	M921510-XL
XXLarge	56.5–63in (144–160cm)	29–31in (74–79cm)		M921509-XXL	M921510-XXL

## Product Codes

## Guidelines

- SWL 272kg / 600lb
- Wash 95°C / 203°F
- Low Tumble Dry

