

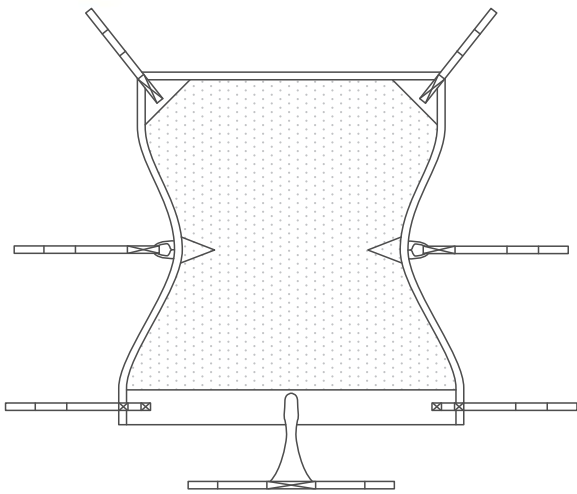
In-Situ Recline Sling

WITH LOOPS

SUPERFINE PLUS™

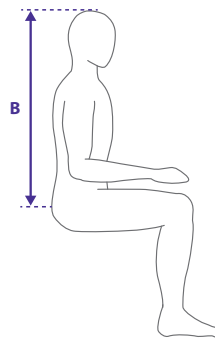
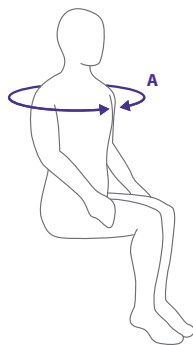
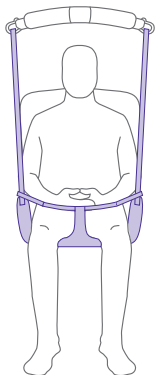
MESH

- The In-Situ full body recline sling comes with a padded roll for client comfort under the leg section and a pommel strap for additional user safety during the transfer.
- The inclusion of the hip tapes provide additional support to the hip area, reducing pressure whilst lifting occurs.
- The In-situ recline sling also makes a good amputee sling due to the transfer position and pommel strap.
- In-Situ design may allow sling to be left in place beneath the user for longer periods with full written risk assessment.
- Available in two material types:
 - Superfine PLUS™** (100% polyester spacer fabric; superior comfort over standard sling fabrics; easy application, suitable for bathing.)
 - Mesh** (100% polyester open weave mesh; high density, durable, used for bathing as quick drying.)



Product Codes

		A Shoulder circumference	B Top of head to base of spine	Superfine PLUS™	Mesh
	Small	34–37.5in (86–96cm)	35.5–41in (90–104cm)	M921507-S	M921508-S
	Medium	37.5–42.5in (96–108cm)	41–45.5in (104–116cm)	M921507-M	M921508-M
	Large	42.5–51.25in (108–130cm)	45.5–50.25in (116–128cm)	M921507-L	M921508-L
	XLarge	51.25–56.5in (130–144cm)	50.25–55.25in (128–140cm)	M921507-XL	M921508-XL
	XXLarge	56.5–63in (144–160cm)	55.25–60in (140–152cm)	M921507-XXL	M921508-XXL



Guidelines

- SWL 272kg/600lb
- Wash 95°C/203°F
- Low Tumble Dry