

# mobi heavy duty changer



## **Meeting bariatric needs**

The Mobi Heavy Duty Changer has been designed to meet the needs of bariatric users. Its powerful 12K Newton motor, coupled with the extra wide mattress platform, makes it the ideal solution.

## **Manoeuvrability**

The benefit of the Mobi range of products is that they do not require any wall mounting or floor fixing. They are easy to manoeuvre which means that the user can be transported from room to room with no trouble (door opening has to be 43.3in or more).

## **Height adjustable**

The Mobi Heavy Duty Changer is electronically operated, which makes adjusting the height of the table simple, this is beneficial for both the carer and user.

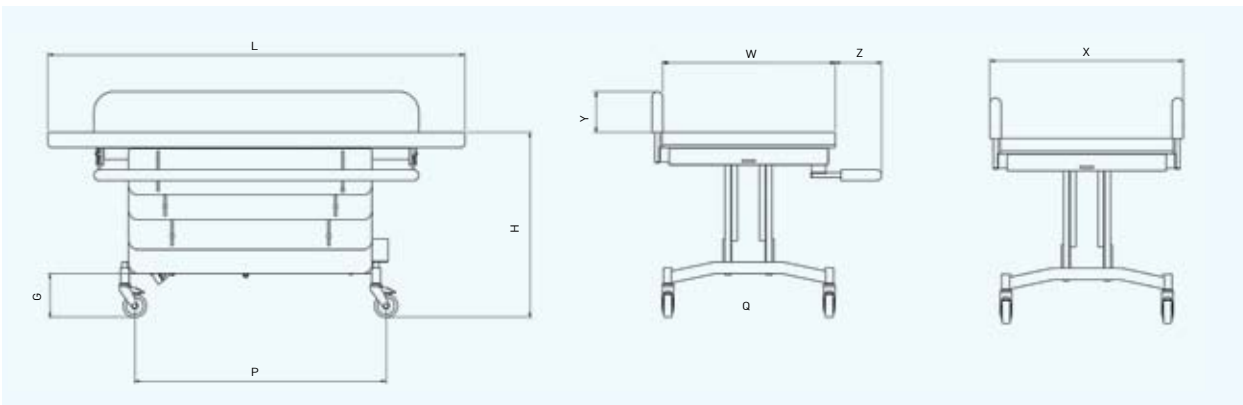
# mobi heavy duty changer

## key features



- Mobile and easy to manoeuvre
- No installation required
- Electronically operated
- Cream powder coated frame for dry rooms only
- Length of table available in 78.7in
- Weight capacity of 992.1lbs
- Travel range of 36.2in
- Easy to clean padded surfaces
- Unique stowaway side rails
- Wall mounted charger and 2 batteries as standard

Mild Steel Powder Coated	Size	User Weight	Table Dimensions		Travel Range	Safety Sides		Safety Sides Operational Space	Castor Centres		Nominal Clearances	Shipping Weights
			L in	W in		Width X in	Height Y in		Z in	P in		
3161	1	1000	78.7	37.8	21.7 - 36.2	41.3	6.5	7.9	59.1	31.5	5.9	220.5



# mobi shower trolley



## **Safe showering**

For many children and adults, conventional methods of bathing and showering can be difficult and even hazardous. The Mobi Shower Trolley is a powered, height-adjustable shower trolley specifically designed to enable the user to be safely and easily washed or showered by their carer.

## **Reduces back injury**

The Mobi Shower Trolley offers a range of height adjustments to enable the carer to shower and change the user at a safe and suitable working height. This reduces the risk of back injury for the carer.

## **Stowaway side rails**

The Mobi Shower Trolley has been designed with two unique safety side rails that can be easily stowed away beneath the trolley. This allows maximum clearance for safe, easy transfer and use.

# mobi shower trolley

## key features



- Mobile and easy to manoeuvre
- No installation required
- Stainless steel frame
- Drainage channel and pipe
- Soft comfortable mattress and wedge shaped pillow
- Available in 1 size
- Length of table is 70.9in
- Weight capacity of 485lbs
- Travel range of 36.4in
- Easy to clean padded surfaces
- Unique stowaway side rails
- Optional padded mattress as an accessory

Stainless Steel	Size	User Weight lbs	Table Dimensions		Travel Range H in	Safety Sides		Safety Sides Operational Space Z in	Castor Centres		Nominal Clearances G in	Shipping Weights lbs
			L in	W in		Width X in	Height Y in		P in	Q in		
3151	1	485.0	70.9	29.5	18.3 - 36.4	33.1	7.7	7.9	42.9	27.6	7.5	189.6

