

HARDROCK

INSTRUCTIONS FOR USE

Codes 8202-8204



CONTENTS	PAGE
1.0 INTRODUCTION	1
2.0 ILLUSTRATION OF YOUR CHAIR	2
3.0 FOR YOUR SAFETY	3
4.0 UNPACKING YOUR CHAIR	4
5.0 SETTING UP AND ADJUSTING YOUR CHAIR	6
6.0 CARE & MAINTENANCE	11
7.0 GUARANTEE & SERVICE	15
8.0 CONTINUOUS IMPROVEMENT	16
9.0 WARRANTY & AFTERSALE	17

INTRODUCTION

Thank you for choosing the Hardrock. It is an extremely durable, robust and stable chair that has been specifically designed for children with complex learning difficulties and children who are inclined to rock when seated.

It provides a moderate level of postural support and a safe and secure environment to enable the children to engage in education, play and everyday activities necessary for their development. It is suitable for use at home and in schools.



IMPORTANT!

These instructions should be read by all therapists and carers using the equipment and should be retained for future reference. The product should always be used under adult supervision.

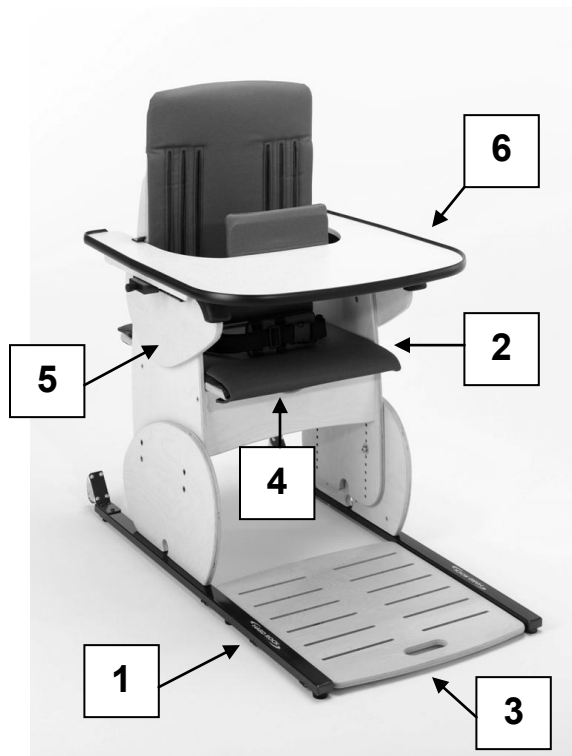
Any incorrect use of the product and failure to follow the instructions may put the user at risk or impede the function.

This product has been designed and manufactured specifically and solely for use by clients with special needs.



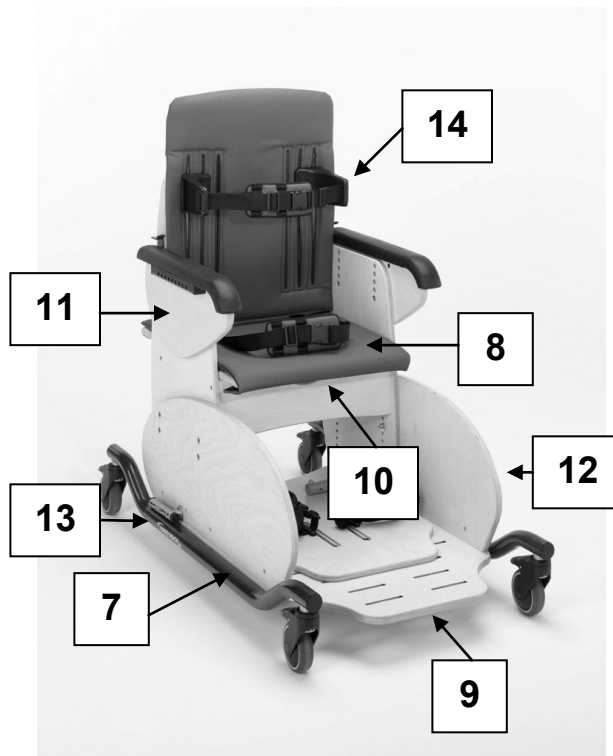
2.0 ILLUSTRATION OF YOUR CHAIR

HARDROCK SIZE 2 & 3
Code 8202-8203



- 1.Ski
- 2.Pelvic strap
- 3.Footboard
- 4.Anti-thrust cushion
- 5.Armrest
- 6.Tray

HARDROCK SIZE 4
Code 8204



- 7.Mobile Base with lockable castors
- 8.Pelvic strap
- 9.Footboard
- 10.Anti-thrust cushion
- 11.Armrest
- 12.Extended gables (optional)
- 13.Stabilisers (optional)
- 14.Thoracic supports (optional)

Note: Size 4 also comes with tray as standard (not shown)



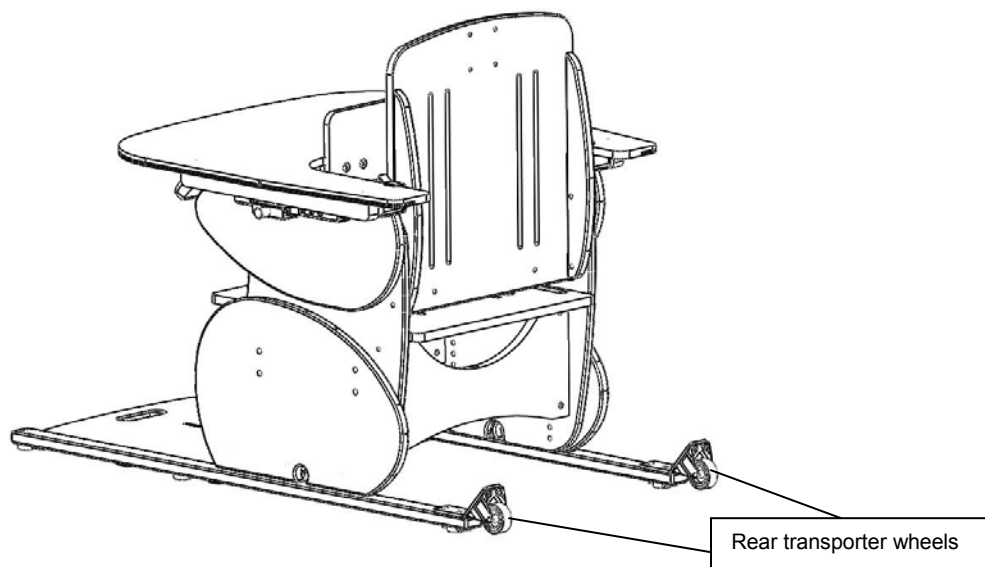
3.0 FOR YOUR SAFETY



STOP!

Please read these instructions **CAREFULLY** and **THOROUGHLY**.

- The user should **NOT** be left unattended whilst in the Hardrock. Always ensure a responsible therapist or carer is in attendance.
- For the initial setting up of the Hardrock and at subsequent/future review of the child, measurements of the child's seat depth and height is required.
- The therapist should be familiar with the methods of adjustment and have completed all adjustments appropriately to meet the needs of the child using the measurements taken before transferring the child into the chair.
- Adjusting the seat height of the Hardrock is easier and safer if carried out by two people.
- Ensure all castors on the mobile base are locked with castors facing inwards by tilting the chair slightly onto its side before making any adjustments.
- Rear transporter wheels have been fitted onto the skis to facilitate moving the chair. **DO NOT** use whilst the child is seated in the chair.



- **If rear transporter wheels have not been fitted, Hardrock should only be moved by two people.**
- Only Hardrock fitted onto mobile base can be used as an indoor transit chair.
- The Hardrock castors are designed for indoor use only and may be damaged if used outdoors.
- The Hardrock is only to be used on a flat level surface.
- **DO NOT EXCEED MAXIMUM WEIGHT LIMITS SPECIFIED**
- Regular maintenance checks and cleaning are essential for the safe use of this equipment (see care and maintenance section).
- If any part is loose, damaged or functioning incorrectly, do not use until rectified.
- Always fasten the pelvic strap and any other straps provided.
- Regularly check that they are not showing any signs of tearing or fraying and that they fasten correctly.
- Ensure that all nuts, bolts and handwheels are securely tightened and that none are missing.
- Always keep this product away from naked flames, cigarettes and sources of heat including open fireplaces, radiators, heaters etc.
- **DO NOT** fit parts or accessories of other manufacturers to this product unless authorized to do so in writing by G&S Smirthwaite Ltd. Failure to follow these instructions will not only invalidate the guarantee but could make the chair dangerous to use. G&S Smirthwaite Ltd will not accept liability for any injury or damage incurred through such malpractices. Any repairs required must be carried out by G&S Smirthwaite Ltd authorized personnel.
- The Hardrock is CE marked. This certifies that it meets all relevant European safety requirements.

	<p>STOP!</p> <p>If you believe this product to be faulty – DO NOT USE</p>
---	---



4.0 UNPACKING YOUR CHAIR



STOP!


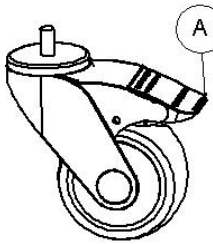
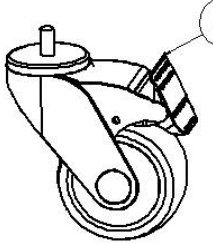
If in any doubt, **ALWAYS** seek **ADVICE**.

Always turn hand wheels, levers and screws clockwise to tighten or anti-clockwise to loosen.

- When delivered, the Hardrock will be supplied fully assembled except for the tray.
- Please take note of any instructions on the packaging/box when unpacking the chair.
- Once the chair has been carefully unpacked, please check all parts.
- If any part is loose, damaged or functioning incorrectly, do not use until rectified.



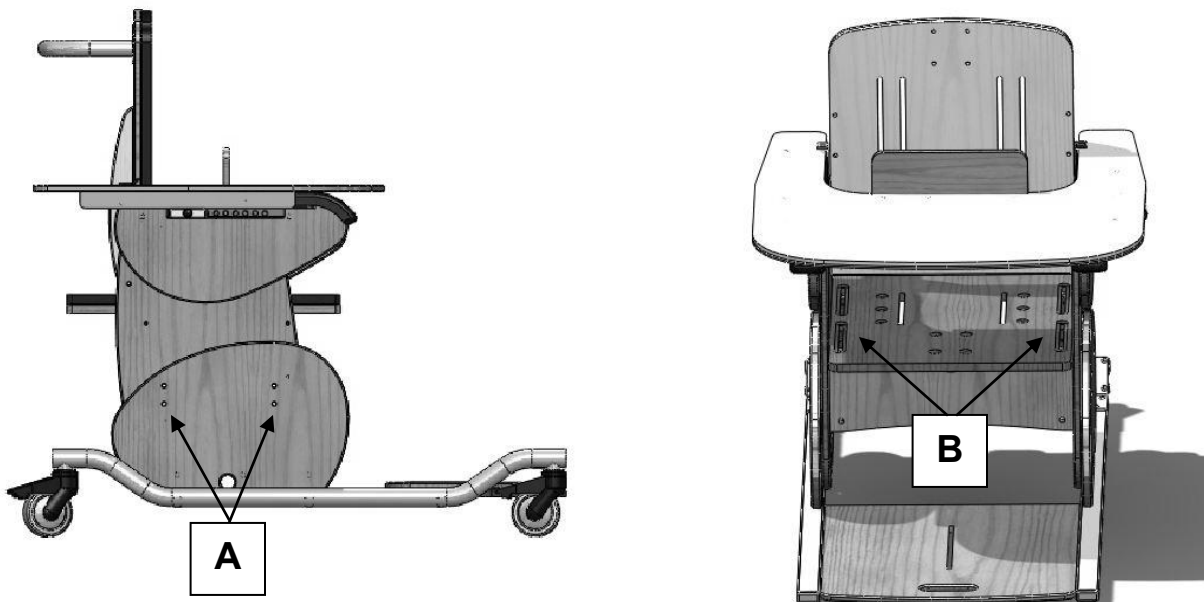
5.0 SETTING UP AND ADJUSTING YOUR CHAIR

	STOP! If in any doubt, ALWAYS seek ADVICE . Always turn hand wheels, levers and screws clockwise to tighten or anti-clockwise to loosen.
	ALWAYS LOCK THE CASTORS WHEN ATTACHING ITEMS OR MAKING ADJUSTMENTS. TO LOCK, APPLY FOOT TO POINT (A) TO UNLOCK APPLY FOOT TO POINT (B)  UNBRAKED  BRAKED

5.1 SEAT

5.1.1 SEAT AJUSTMENTS

Two adjustments can be made to the seat; height and depth.



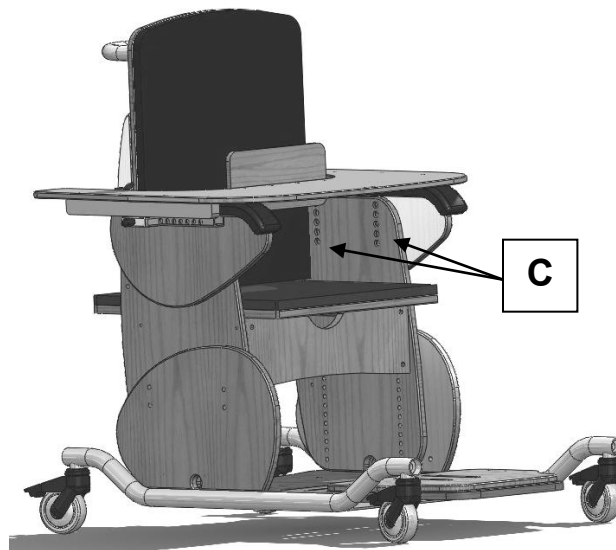
5.1.2 HEIGHT

- Lay the chair on its side. (2 people required)
- Remove the 4 hexagon head screws (A) on each side.
- With one person holding the top seat section of the chair, slide the seat section to the required height.
- Replace the 8 screws.
- Ensure all 8 screws match each other equally in height holes.
- Tighten the screws.
- Return chair to upright position

5.1.3 DEPTH

- Lift the front edge of the seat pad attached with Velcro under the seat.
- Loosen the 4 hexagon screws (B) in the slots on the edge of the seat by a just a couple of turns.
- Slide the seat back or forwards to desired depth.
- Tighten the screws.

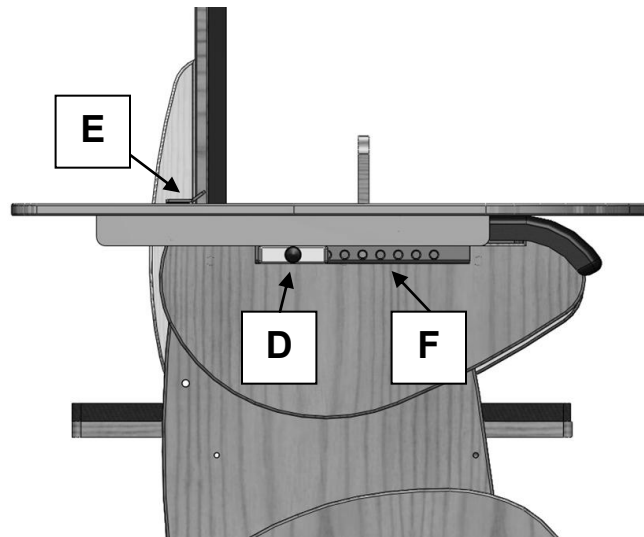
5.2 ARMREST



- Loosen the 2 hexagon screws (C)
- Position at required height using any of the holes available.
- Tighten the screws.
- Ensure that both armrests are set at the same height and horizontal.



5.3 TRAY



- Hold the sides of the tray
- Pull 2 plunger pins (D) out to rest and park at an angle.
- Rest back of tray on armrest.
- Slide back of tray under the tray retainer (E) and then to desired position.
- Release pins securely into position in the holes along the armrest (F)
- Ensure chest pad is correctly positioned in front of child for safety, appropriate support and reduce undesired movement.



5.4 THORACIC SUPPORTS

Two adjustments can be made to the thoracic supports; size 3 upwards.

5.4.1 HEIGHT

To adjust:

- Loosen handwheels on rear of seat.
- Move the thoracic support up or down to desired position.
- Re-tighten the handwheels.

5.4.2 WIDTH

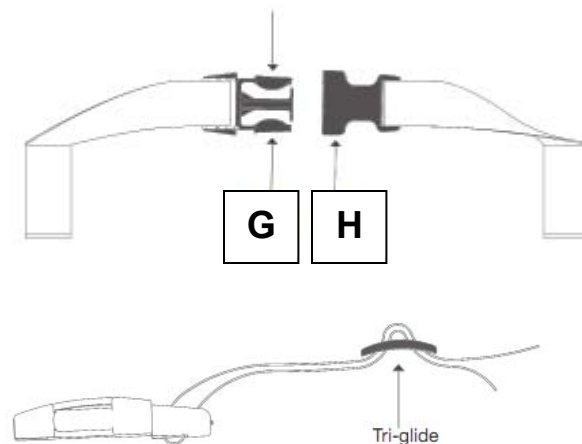
To adjust:

- Loosen handwheels on rear of seat, and remove from the vertical slots.
- Position the thoracic support appropriate vertical slot for the desired width.
- Re-tighten the handwheels.



5.5 STRAPS

- The buckle is secured by pushing (G) into (H).
- To release the buckle, press both sides of (G)
- The strap length can be altered by adjusting the tri-glide (as shown opposite)



5.6 HEELSTOP FOR HEEL HUGGY ACCESSORY

The heel stop can be adjusted in depth.

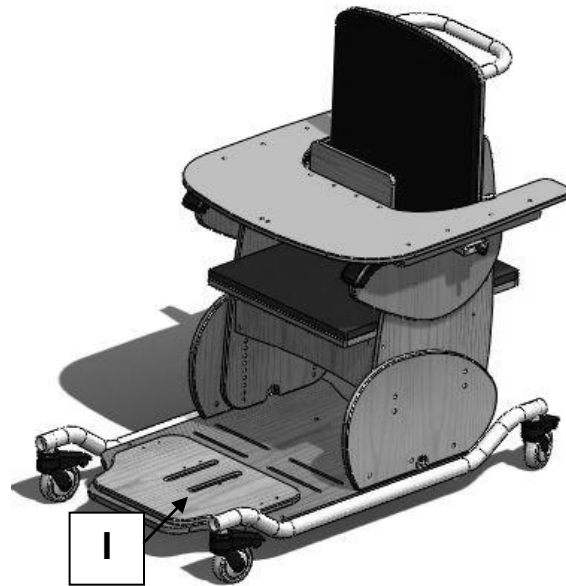
- Loosen the screws (I) by a couple of turns.
- Slide it back or forwards to desired depth.
- Re-tighten screws.

5.7 POMMEL

Pommels have to be specified at the time of order. A pommel cannot be retrofitted.

To adjust:

- Loosen hand wheel
- Position the pommel in or out to the desired position.
- Re-tighten handwheels.

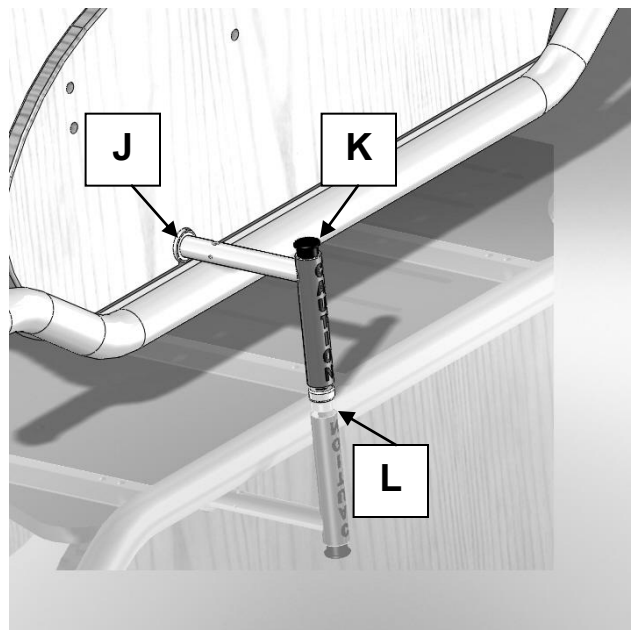


5.8 STABILISERS

Stabilisers can be ordered as an accessory at time of order or retrofitted, giving additional stability to the Hardrock product.

5.8.1 Retrofitting

- Slacken side panel fixing screws located under the chassis
- Insert stabilizers through the 'mouse-hole' (J) of the side panel.
- Turn the stabilizer to the vertical position (as shown above).
- If needed, drill M8 clearance hole through the baseboard
- Secure stabilizers with M8 cap screws, nuts and washers.
- Re-tighten leg/side panel fixing screws under the chassis




5.8.2 Extend stabilizer

- Depress button (K)
- Pull stander tube out (L)
- Release button.
- Turn it vertical to the ground - there will be an audible click when locked.



6.0 CARE AND MAINTENANCE

	IMPORTANT!
	CLEANING IS RECOMMENDED ON A REGULAR BASIS THE CLIENT SHOULD NOT BE SEATED IN THE CHAIR WHEN CLEANING OR UNDERTAKING MAINTENANCE

All our wooden chairs are easy to clean. Each chair has anti-bacterial properties ensuring that surfaces are kept hygienic to reduce any risk of cross infection.

- Clean upholstery and wooden parts with a damp cloth and mild detergent.
- Stubborn marks on the woodwork should be cleaned by using a soft brush.
- Do not soak or immerse the chair in water.
- The pelvic strap can be cleaned with a damp cloth. In cases of extreme soiling it can be machined washed at low temperature with mild detergent but must be drip dried.
- Store the chair in a cool dry place out of direct sunlight.
- DO NOT use bleach, solvents, abrasives, synthetic detergents, wax polishes, antibacterial sprays or wipes.
- For further information please refer to MHRA or your NHS cleaning guidelines.

6.1 DAILY CHECKS

- Check the product for damage or loose components.
- Check all upholstery for signs of wear and tear.
- Check the straps for signs of wear and tear.
- Check the castors are running freely and brakes are in working order

6.2 MONTHLY CHECKS

- Repeat daily checks.
- Check all mechanical movements operate fully.
- Check the structure of the product for signs of damage, wear and tear.

6.3 ANNUAL SERVICE

The Hardrock chair should be serviced annually. Servicing must only be undertaken by a Smirthwaite service engineer, or by a Smirthwaite trained representative.



6.4 NOMINAL SERVICE LIFE

Your product has a nominal service life of 7 years, during which full post-sales support will be available with regard to spares and servicing.

Product service life has been determined based upon the design complexity of product, and the anticipated exposure to normal use.

Good practice dictates all Smirthwaite products have been designed and manufactured to high levels of safety and quality, and will meet requirements of normal use when maintained in line with our servicing recommendations.



STOP!

If the product has been out of use for an extended period of time (6 months or more) it should always be serviced prior to being reissued.

If the product has been subjected to 'heavy' or 'constant' use, the service should be reduced to half the recommended period.

Constant and/or heavy use is considered to be:

- Daily use above 7 hours duration
- Weekly use above 5 days duration
- Monthly use above 10 months per year
- Use by a client who is at 90% to 100% of the maximum weight limit of the product. The maximum weight limit must **NEVER** be exceeded
- Use by a client who is extremely active, either voluntarily or involuntarily



6.5 EXTENDING NOMINAL SERVICE LIFE

At Smirthwaite we are proud to produce products that have a reputation for quality and durability.

We believe our products have the potential to provide benefits to our clients beyond the nominal service life documented above.

We will continue to provide full support beyond the nominal service life provided the following conditions are met:

1. A full service schedule has been maintained.
2. A full service and inspection is undertaken at the end of the nominal service life period
3. The product is subsequently serviced annually (or biannually if under 'heavy/constant' use conditions)
4. Smirthwaite reserve the right to limit support where parts/components are no longer available

6.6 DOCUMENTATION/RECORDS

- It is the responsibility of the current equipment owner to ensure the 'Instructions for Use' manual and any further manuals for accessories fitted to the equipment are handed over to the new owner at the time of exchange/sale
- It is the responsibility of the current equipment owner to ensure the service and inspection record form is kept up to date

6.7 PRODUCT CONFIGURATION

- Smirthwaite will document and maintain a record of the original product configuration at the time of first sale
- Smirthwaite will not be held responsible for any subsequent changes to this configuration unless authorized to do so in writing by G&S Smirthwaite Ltd
- It is the equipment owner's responsibility to maintain their own records of changes to the equipment configuration and to be able to provide such records to subsequent owners to maintain traceability



- We recommend an inspection/service by a Smirthwaite Service Engineer (or Smirthwaite trained engineer) whenever a significant change is made to product configuration to ensure the product is safe to use. **If in any doubt, ALWAYS seek ADVICE**



IMPORTANT REMINDER!

DO NOT fit parts or accessories of other manufacturers to this product unless authorized to do so in writing by G&S Smirthwaite Ltd.

Any servicing or repairs required must be carried out by G&S Smirthwaite Ltd (or a Smirthwaite trained engineer).

If you believe this product to be faulty – DO NOT USE

If in any doubt, ALWAYS seek ADVICE.



7.0 GUARANTEE & SERVICE

The Hardrock is issued with a full parts and labour guarantee for 2 years from the date of delivery. This guarantee does not apply to accidental damage caused through inappropriate use of the Hardrock. This guarantee is issued at the discretion of G & S Smirthwaite Ltd on RTB (Return to Base) basis.



8.0 CONTINUOUS IMPROVEMENT

G & S Smirthwaite Ltd are committed to continuous improvement to their product range.

G&S Smirthwaite Ltd reserve the right to change the specification or material without prior notice.



9.0 WARRANTY & AFTERSALE

9.1 Product Information

Model	
Size	
Date of Manufacture	
Serial Number	
Final Inspection	

9.2 Service & inspection record form:

Date	Procedure	Service Personnel



Notes



CE

