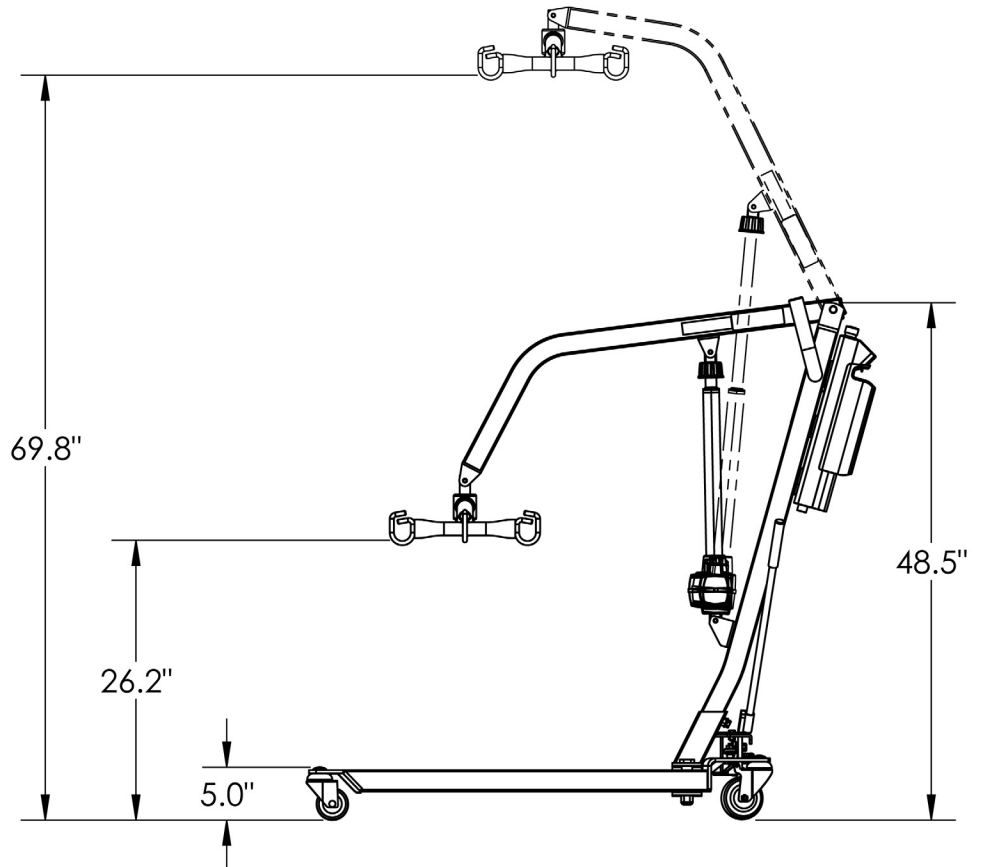
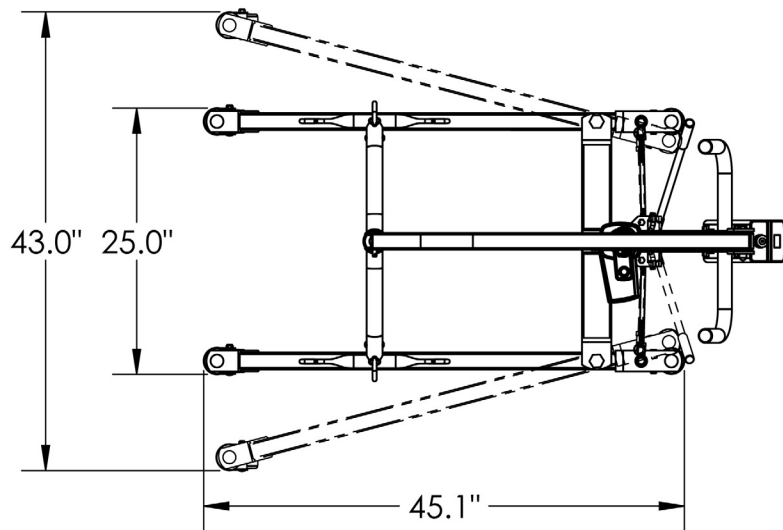




# Span F500P

Full Body Patient Lift

## DIMENSIONS CHART



**SPAN**  
better science. better care.