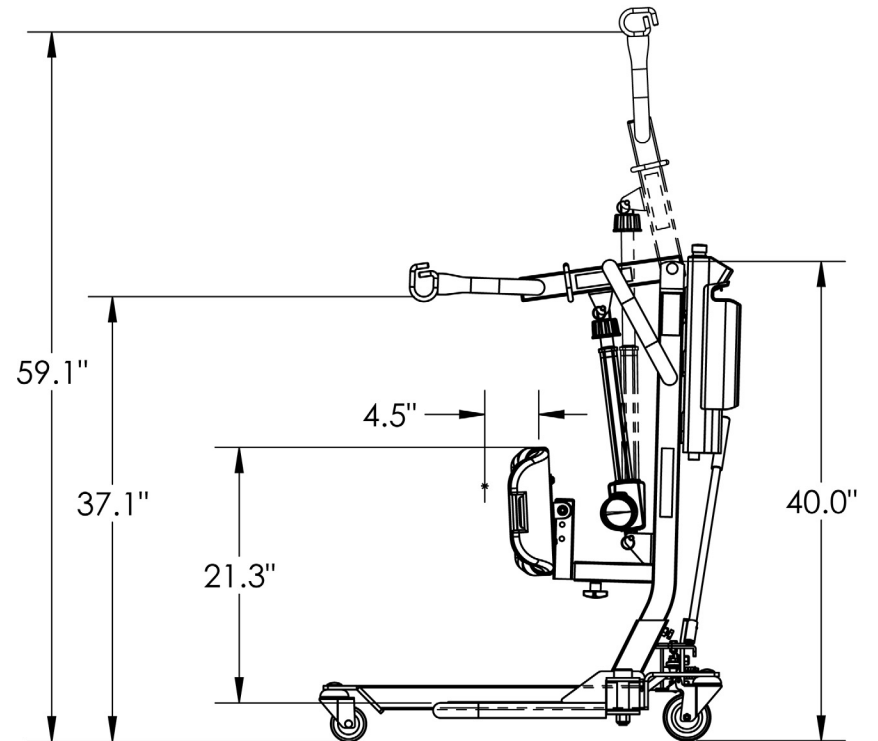
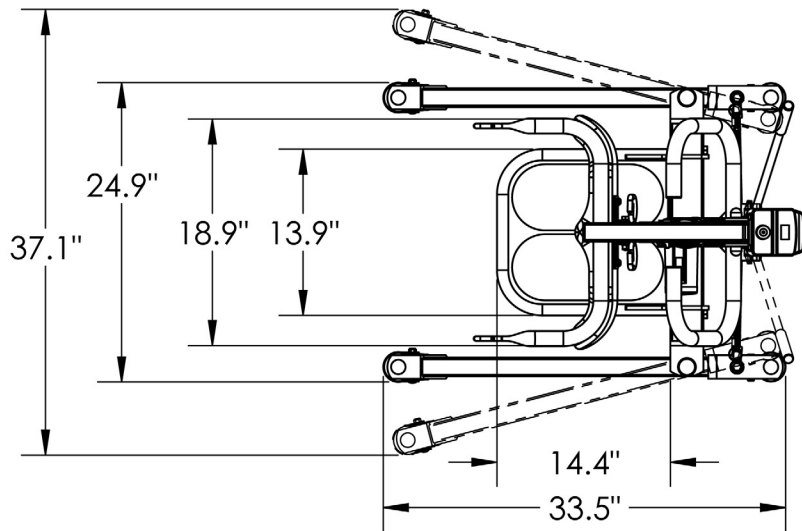




# Span F500S

Powered Sit-to-Stand Patient Lift

## DIMENSIONS CHART



**SPAN**  
better science. better care.