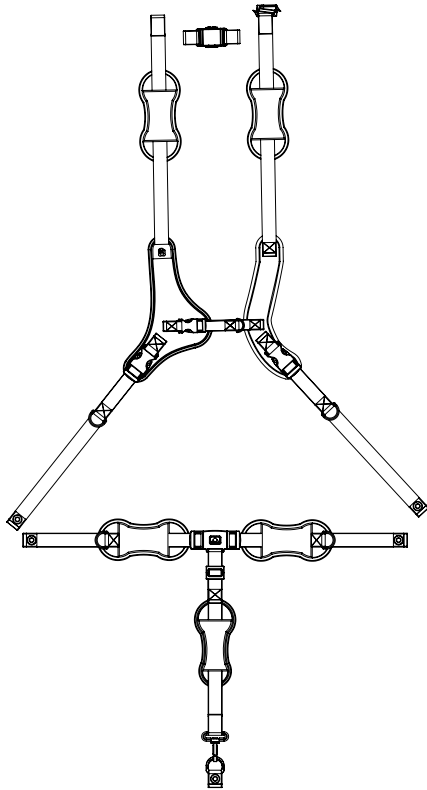


MPS Hi-Low Harness Threading & Connections

For a video tutorial
visit [youtube.com/
SpecialTomato1](https://www.youtube.com/SpecialTomato1)

Date Codes: 01/14 - 06/15 (C1 - C4)
(Location under seat pan)

Harness Diagram



Harness Installed



CHEST STRAPS
LATERAL STRAPS BOLTED
UNDERNEATH SEAT PAN

3-POINT CROTCH HARNESS
WAIST & CROTCH STRAP
BOLTED UNDERNEATH
SEAT PAN

Pelvic Harness Installation



STEP 1
THREAD CROTCH STRAP
DOWN THROUGH CENTER
CUSHION SLOT.



STEP 2
THREAD CROTCH STRAP
DOWN THROUGH SEAT SLOT.



STEP 3
TILT SEAT FULLY FORWARD
TO CLIP CROTCH STRAP
ONTO D-RING ANCHOR.



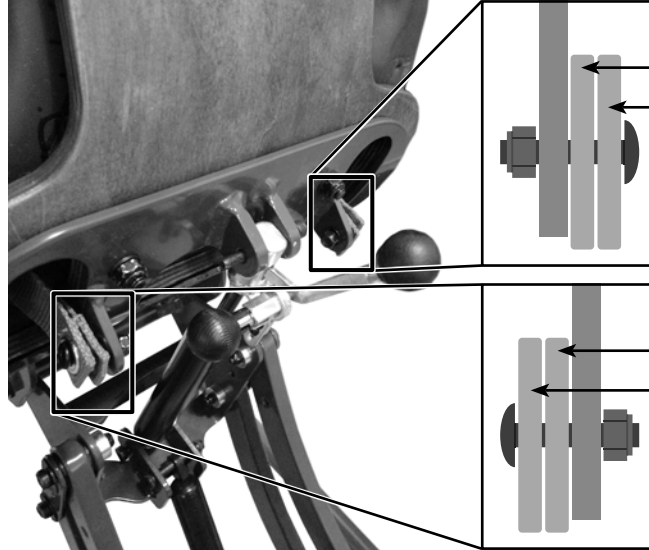
STEP 4
THREAD RIGHT WAIST STRAP
DOWN THROUGH RIGHT SLOT.

MPS Hi-Low Harness Threading & Connections *(cont.)*

Pelvic Harness Installation *(cont.)*



STEP 5
THREAD LEFT WAIST STRAP
DOWN THROUGH LEFT SLOT.



STEP 6
SCREW LEFT AND RIGHT STRAPS INTO
THEIR CORRESPONDING ANCHOR BOLTS
IN THE PROPER STRAP ORDER.

RIGHT SIDE
WAIST STRAP ON INSIDE
CHEST HARNESS ON OUTSIDE

LEFT SIDE
WAIST STRAP ON INSIDE
CHEST HARNESS ON OUTSIDE

Chest Harness Installation



STEP 1
THREAD RIGHT STRAP WITH
LOGO THROUGH RIGHT
SHOULDER SLOT ON BACK OF
SEAT.



STEP 2
THREAD LEFT STRAP
THROUGH LEFT SHOULDER
SLOT ON BACK OF SEAT.



STEP 3
UNSCREW ONLY THE NUT ON
LEFT VERTICAL BAR.



STEP 4
THREAD LEFT CHEST STRAP
BEHIND THE BAR, BETWEEN
BAR AND SEAT.

MPS Hi-Low Harness Threading & Connections *(cont.)*

Chest Harness Installation *(cont.)*



STEP 5
SLIDE THE LEFT MOUNTING
LOOP OVER THE VERTICAL
BAR.



STEP 6
REATTACH THE NUT ON LEFT
VERTICAL BAR.



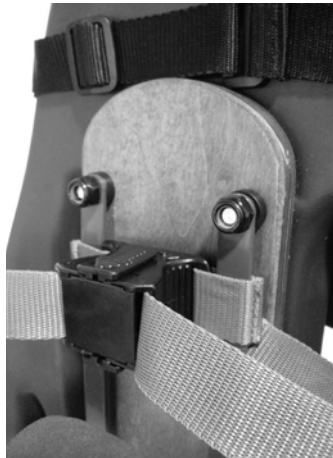
STEP 7
UNSCREW ONLY THE NUT ON
RIGHT VERTICAL BAR.



STEP 8
THREAD RIGHT CHEST STRAP
BEHIND THE BAR, BETWEEN
BAR AND SEAT.



STEP 9
SLIDE THE RIGHT MOUNTING
LOOP OVER THE VERTICAL
BAR.



STEP 10
REATTACH THE NUT ON RIGHT
VERTICAL BAR.



STEP 11
THREAD LEFT AND RIGHT
CHEST STRAPS DOWN
THROUGH THE SEAT CUSHION
SLOTS.



STEP 12
INSTALL LEFT AND RIGHT
STRAPS INTO THEIR
CORRESPONDING ANCHOR
BOLTS IN THE PROPER STRAP
ORDER (SEE STEP 6 ON PREV.
PAGE FOR DETAILS).

**AUTHORISED EUROPEAN
REPRESENTATIVE**



Revision 11/15
UMHLHRT11-15LIT

Bergeron By Design
15 South Second Street
Dolgeville, New York 13329
T: 1-315-429-8407
F: 1-315-429-8862

© 2015 Bergeron By Design

The information contained herein is subject to change without notice.
Bergeron By Design shall not be liable for technical errors or omissions herein.