

# Small MPS Mobile Floor Base

## ASSEMBLY MANUAL

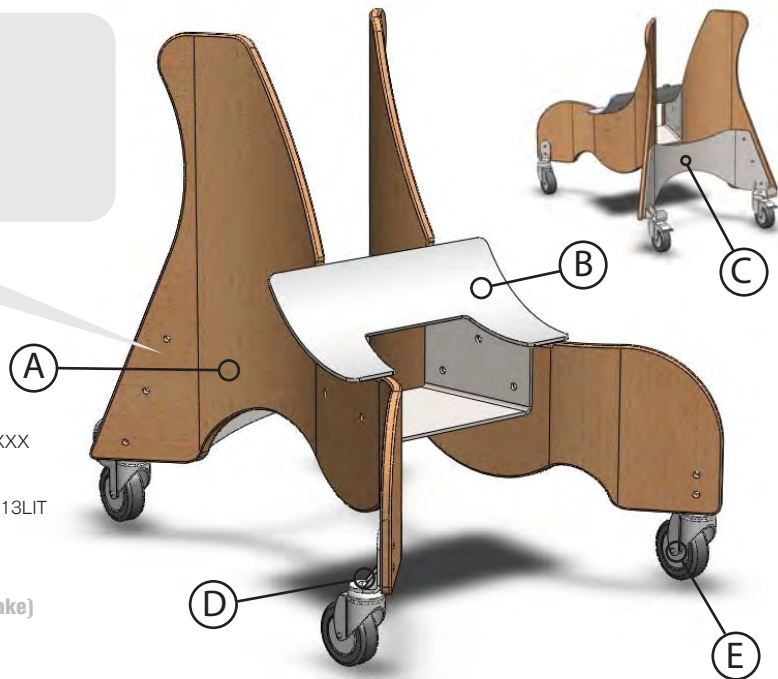
### Helpful Tools



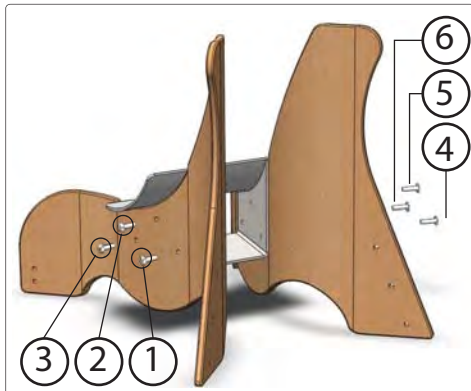
Model# 79XXXXXX  
Revision 03/13  
UMPPSSMB03-13LIT

### Included Parts:

- > A. Wooden Sides
- > B. Metal Seat Pan
- > C. Metal Back Bracket
- > D. Front Caster Brackets (2x)
- > E. Casters (4x) (2 with Brake)
- > F. Bolts (16x)
- > G. Nuts (16x)
- > H. Caster Nuts, Bolts, Washers (4 ea)

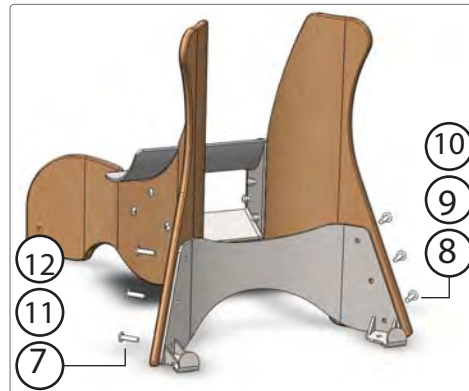


### Step 1: Attach Seat Pan



Attach (B) metal seat pan to (A) wooden sides with (6x) bolts. Install bolts in numeric order. Finger-tighten bolts until snug.

### Step 2: Attach Rear Bracket



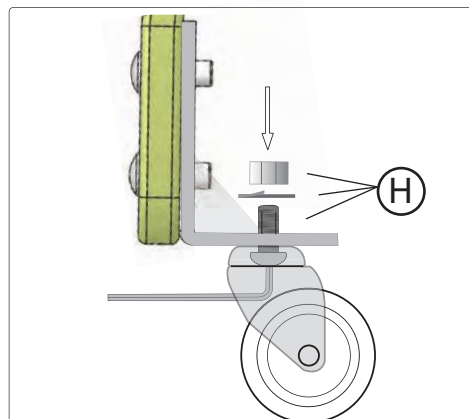
Attach (C) metal back bracket to (A) wooden sides with (6x) bolts. Finger tighten bolts first, then securely tighten the rear bracket bolts and seat pan bolts with wrench.

### Step 3: Attach Front Brackets



Attach (D) front brackets to (A) wooden sides with (4x) bolts. Finger tighten bolts first, then securely tighten with wrench. (Important : attach bracket to outside as shown)

### Step 4: Attach Casters



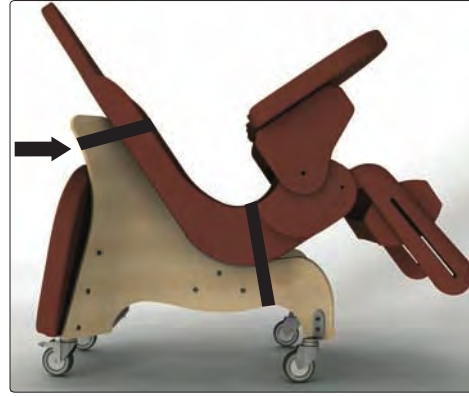
Install brake casters in the rear for stability. Use allen key to insert bolt up through the caster and bracket. Tighten nylon nuts with a crescent wrench. Note: Maintain tight screws.

## MPS Attachment Strap 1



Secure tightly the Bottom Strap under Mobile Floor Base.

## MPS Attachment Strap 2



Secure tightly the Rear Strap around Mobile Floor Base.

## Tray Storage



### 5 Year Limited Warranty

Special Tomato warrants to the original retail purchaser of the Multiple Position Seat product, that if any part or component proves defective in material or workmanship within five years of the purchase date, the defective part will be repaired or replaced (at Special Tomato's discretion) free of charge. Warranty service may be performed by an authorized service center or at Special Tomato's discretion.

This warranty does not cover normal wear and tear, or damage caused by accident or misuse.

To exercise this limited warranty, the user should first obtain a Return Authorization Number from Special Tomato.

The product must be delivered with charges pre-paid (UPS recommended) to the factory or to an authorized service center, together with a copy of the original invoice, the Return Authorization Number and a written description of the problem.

### Product Care

Special Tomato Products are impermeable to fluids, but do not submerge. Use a mild detergent/cleaner to wipe the chair periodically. To extend the life of the hook and loop strips, comb out the hook portion (hard side) to remove lint and other debris.

### Notice

Use only Special Tomato accessories and parts on Special Tomato products. Special Tomato parts are not interchangeable with other manufacturers' products. Replace any worn parts immediately for safety. © 2013 Bergeron By Design.