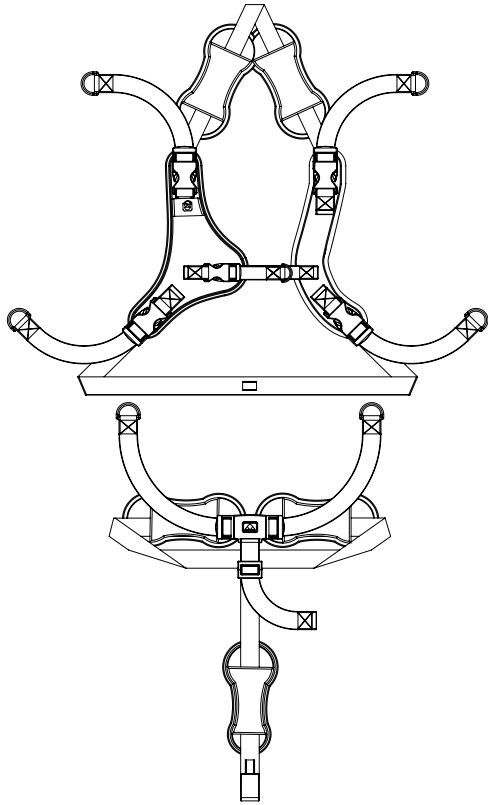


Sitter Harness Threading & Connections

Harness Diagram



Harness Installed



CHEST STRAPS
5-POINT HARNESS

3-POINT PELVIC HARNESS
WAIST & CROTCH STRAPS

ATTACHMENT STRAP
TO ATTACH TO A CHAIR, ETC.



Pelvic Harness Installation



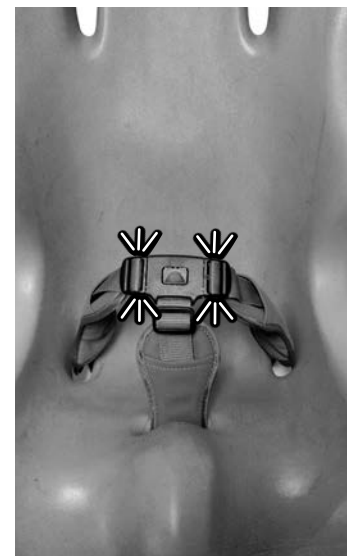
STEP 1
CROTCH STRAP UP THROUGH
BOTTOM CENTER SLOT.



STEP 2
RIGHT WAIST STRAP UP
THROUGH RIGHT SLOT.



STEP 3
LEFT WAIST STRAP UP
THROUGH LEFT SLOT.



STEP 4
CLIP BUCKLING.

Sitter Harness Threading & Connections *(cont.)*

Chest Harness Installation



STEP 1
UNCLIP RIGHT CHEST STRAP
AND SLIDE STRAP THROUGH
LEFT SHOULDER SLOT.



STEP 2
THREAD STRAPPING AROUND
THE BACK AND OUT THE
RIGHT SHOULDER SLOT.



STEP 3
CLIP TO THE TOP OF THE
RIGHT SHOULDER CHEST
HARNESS.



STEP 4
UNCLIP RIGHT LATERAL
STRAP AND SLIDE STRAP
THROUGH LEFT WAIST SLOT.



STEP 5
THREAD STRAPPING UNDER
THROUGH CROTCH LOOP AND
UP AND OUT THE RIGHT SLOT.



STEP 6
REATTACH THE CHEST CLIP TO
THE BOTTOM OF THE RIGHT
SIDE OF THE CHEST HARNESS.

Attachment Strap Installation



STEP 1
THREAD STRAP DOWN
THROUGH THE LEFT WAIST
SLOT.



STEP 2
THREAD STRAP UNDER
SITTER ON TOP OF LOOP AND
UP RIGHT WAIST SLOT.



Revision 03/15
UMSTR03-15LIT

© 2015 Bergeron By Design
The information contained herein is subject to change without notice.
Bergeron By Design shall not be liable for technical errors or omissions herein.