



CatchUp™ Chair



Model# Series
66XXXXXX
UM-CATCHUP-0521LIT

User Manual

General Information & Safety

Please read and fully understand ALL warnings and information provided in this manual before use.



WARNING:

- Prevent serious injury or death from falls or sliding out.
- Always secure the occupant with the included 8-point positioning harness.
- Never leave the occupant unattended.
- Never use CatchUp Chair in a vehicle.
- Never use the CatchUp Chair as a stepping stool.
- The (optional) tray is not designed to hold the occupant in the chair.
- Do not hang items from the handles to avoid tipping.
- Always engage wheel-locks when CatchUp Chair is stationary.



WARNING:

- Never adjust the height or depth of the CatchUp Chair with an occupant seated in the CatchUp Chair.
- Always keep fingers away from moving or sliding parts, especially during height or depth adjustments.
- Always use the CatchUp Chair on a smooth and level surface.
- Always make sure the Seatplate and Footrest are secured, and all four casters are locked and resting on level ground before attempting an independent transfer.
- Maximum occupant weight limit is 250lbs (113 kg).



Owner's Responsibility:

- Before each use, check that all fasteners and components are properly tightened and are in good working order.
- Refer to "Product Care" section for more information on maintenance and cleaning.

The information contained herein is subject to change without notice.
Bergeron By Design shall not be liable for technical errors or omissions.

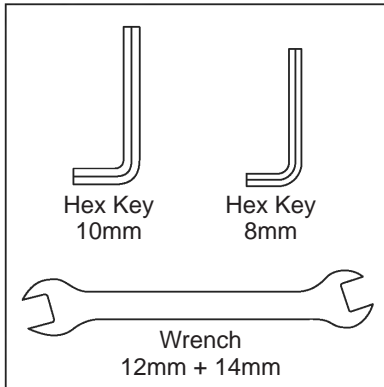
Table of Contents

- General Information & Safety 2**
- Components 4**
 - Main Components 4
- Assembly 5**
 - Caster Base and Vertical Frames 5
 - Support Frames 6
 - Footplate 7
 - Backrest 8
 - Frame Bolt Tightening 9
 - Seatplate 10
 - Support Frame Plugs 11
 - Pelvic Harness 12
 - Upper Body Harness 13
- Operation 14**
 - Backrest Height Adjust 14
 - Seat & Footrest Height Adjust 15
 - Seat & Footrest Depth Adjust 16
 - Harness Adjustments 17
- Accessories 18**
 - Backrest Extension 18
 - Winged Headrest 19
 - Large Armrests 20
 - Small Armrests 21
 - Tray Kit 22
 - Soft-Touch Sitter 23
 - Soft-Touch Seat Liner 24
 - Soft-Touch Back Liner 25
- Product Care 26**
 - Maintenance 26
 - Machine Washing 27
- Warranty 28**

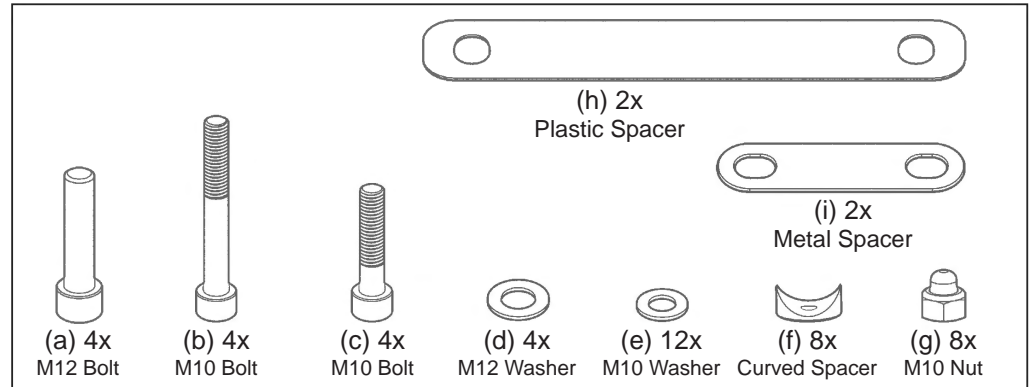
Components

Main Components

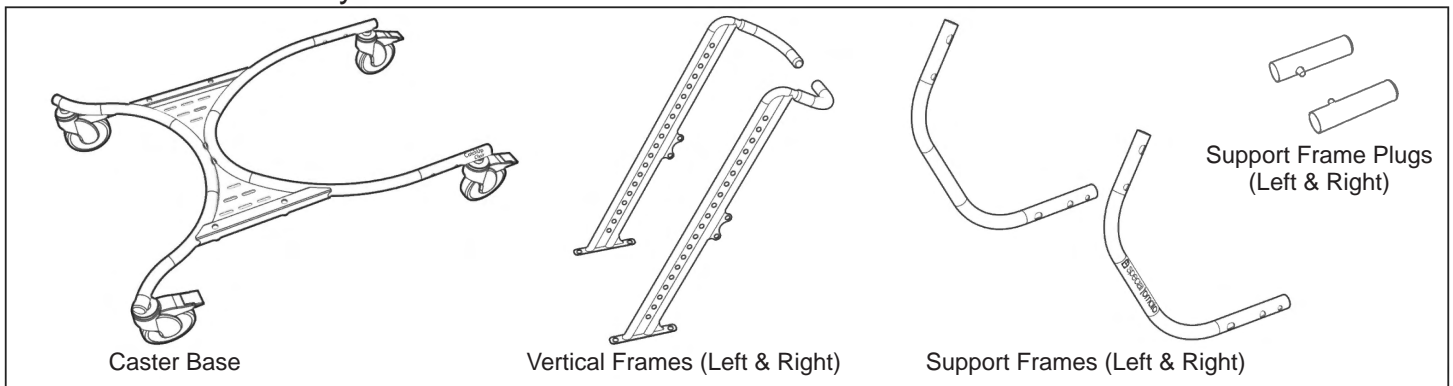
Tools



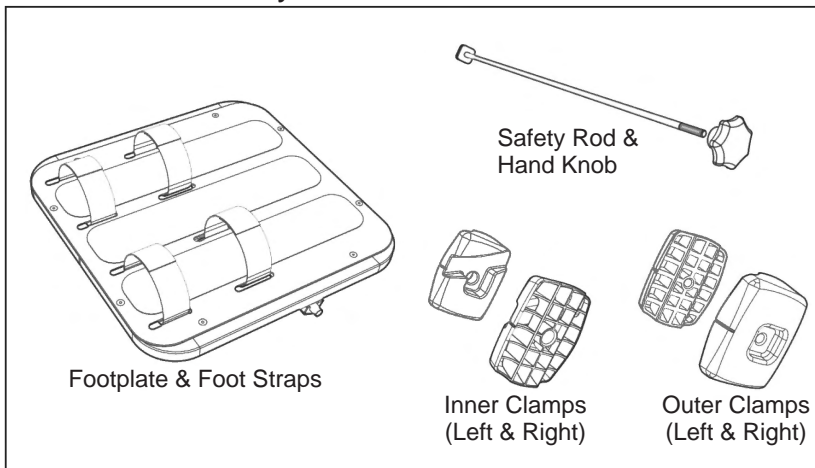
Base Frame Hardware



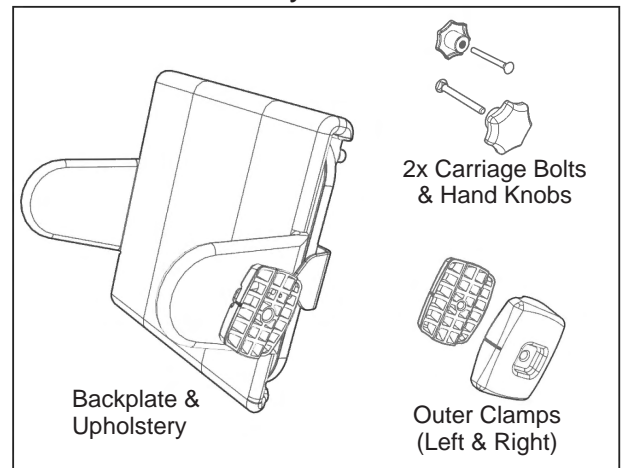
Base Frame Assembly



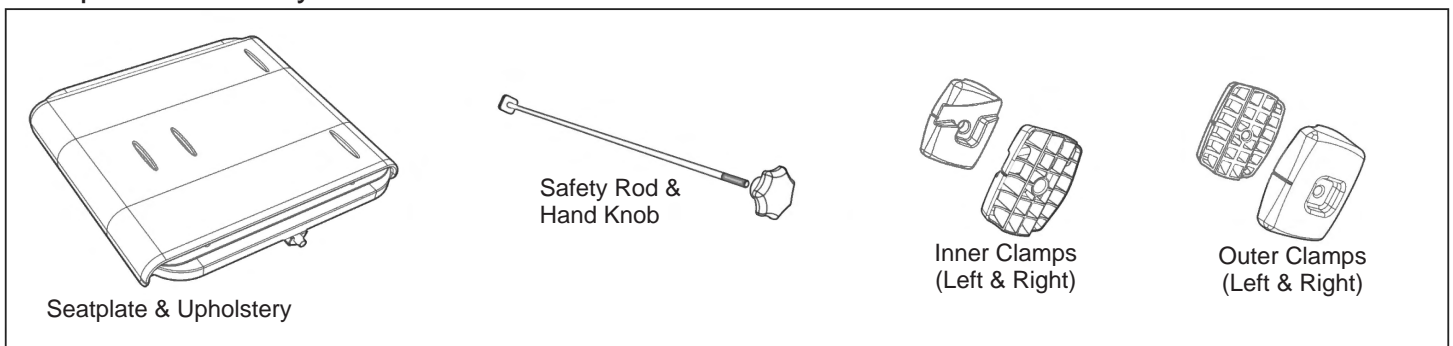
Footrest Assembly

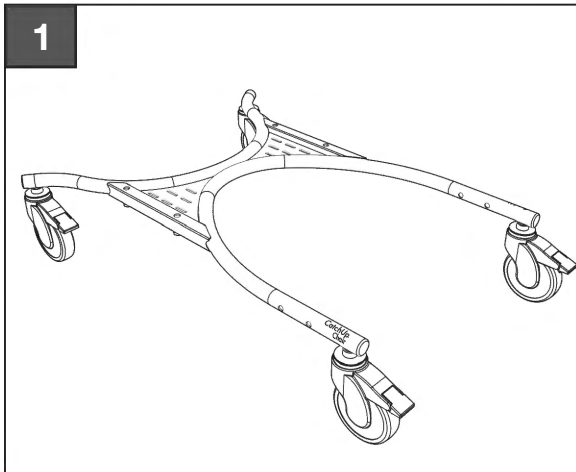


Backrest Assembly



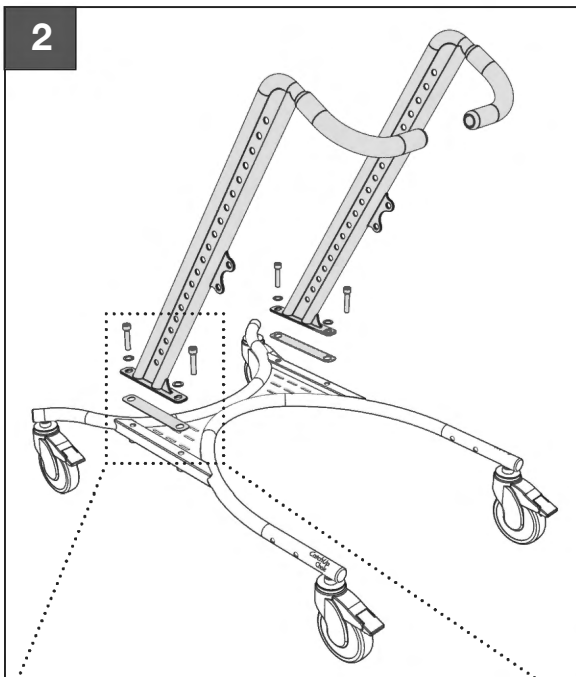
Seatplate Assembly



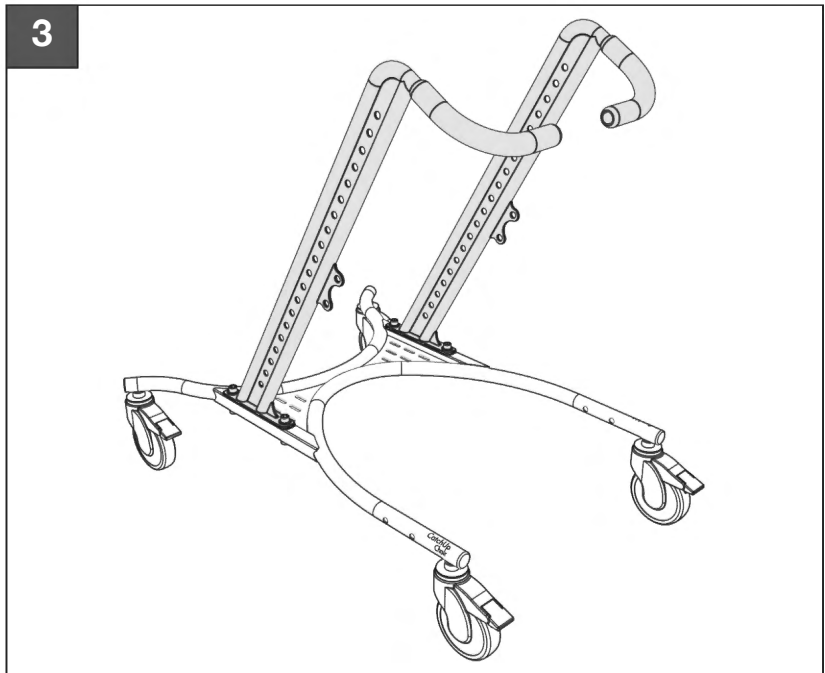
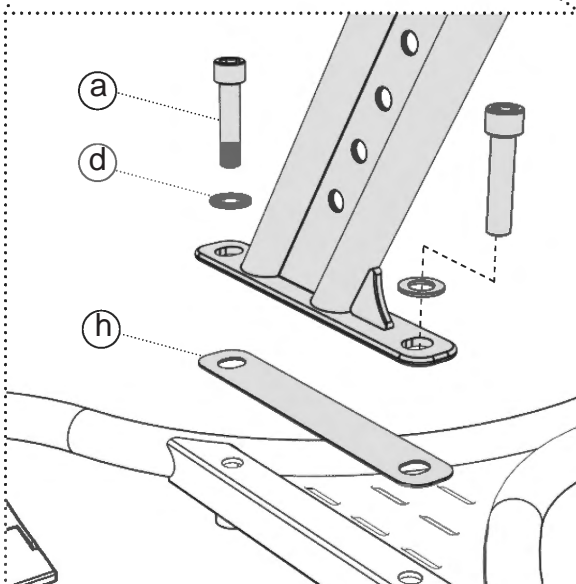


Note: Install, but do NOT fully tighten Frame Bolts until Step 15.

1. Place Caster Base on a flat, level surface and lock all four wheels by stepping on caster levers.
2. Install Vertical Frames (Left & Right) to Caster Base with 4x M12 Bolts (a), 4x M12 Washers (d), and 2x Plastic Spacers (h), as shown.
3. Ensure that the Vertical Frames lean toward the back of Caster Base and the Vertical Frame foam handles are facing toward each other as shown below.

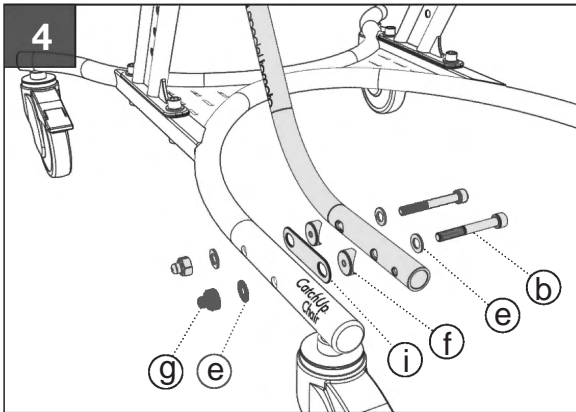


Note: Ensure that the two Vertical Frames are NOT bolted tightly to the Caster Base at this point. The Vertical Frames should be able to “wobble” slightly, which will assist in later assembly steps.



Assembly

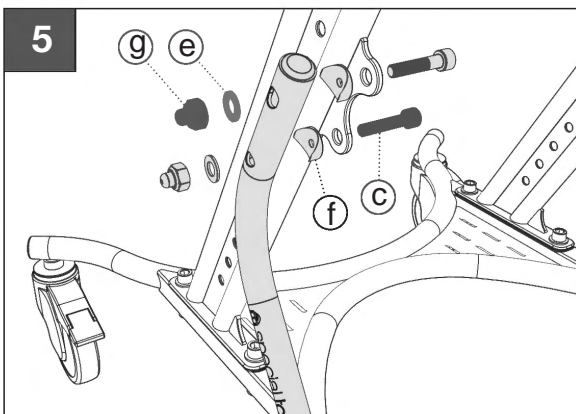
Support Frames



Do not tighten Frame Bolts until Step 15

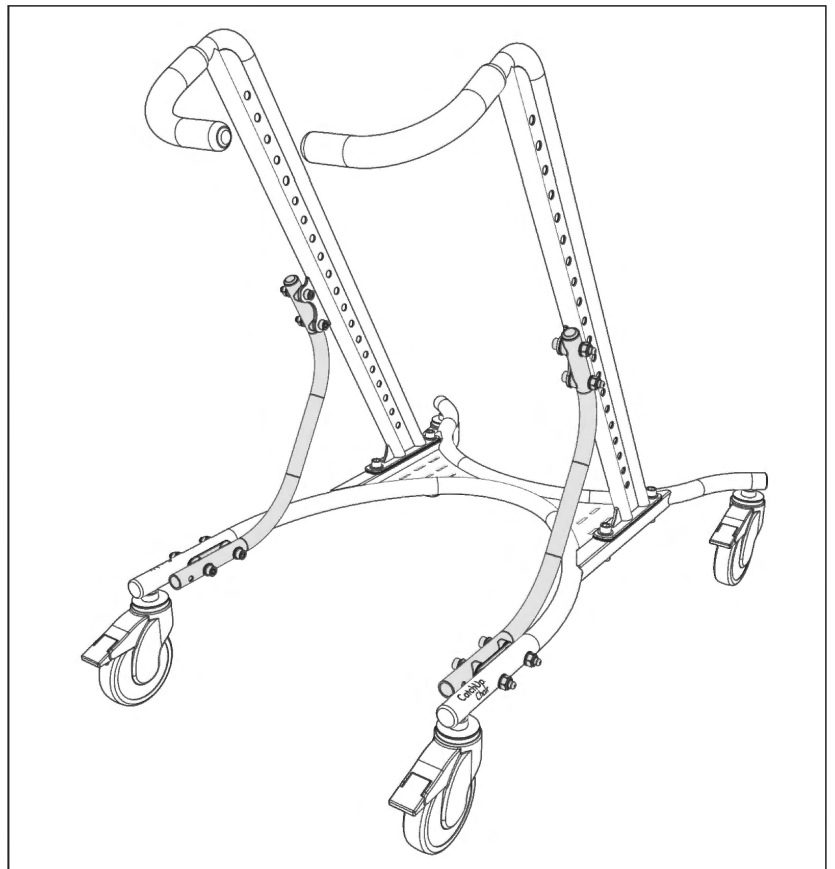
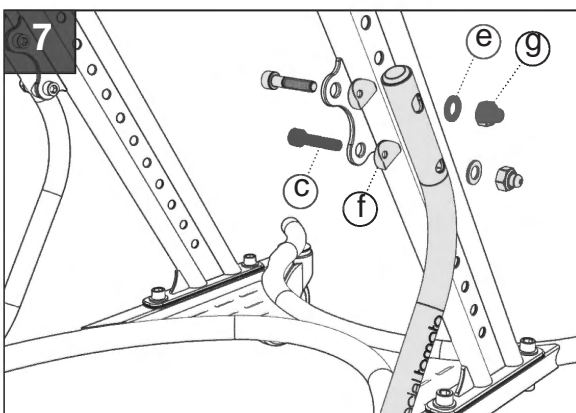
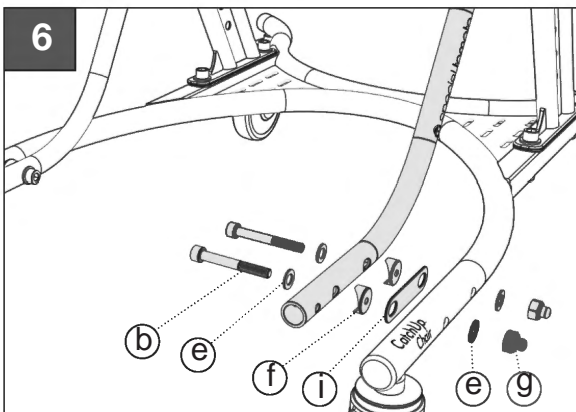
4. Attach Left Support Frame to Caster Base with 2x M10 Bolts (b), 2x M10 Washers (e), 2x Curved Spacers (f), Metal Spacer (i), 2x M10 Washers (e), and 2x M10 Nuts (g) in the order shown here.

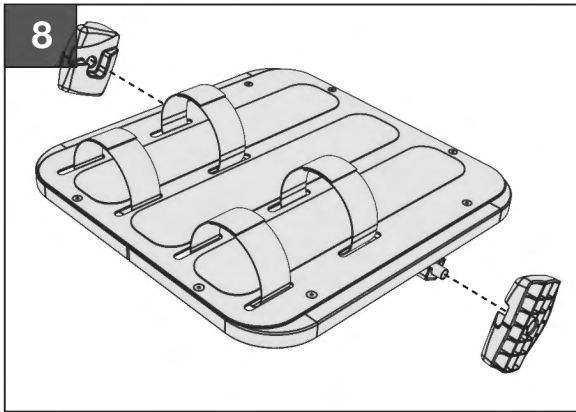
5. Attach Left Support Frame to Left Vertical Frame with 2x M10 Bolts (c), 2x Curved Spacers (f), 2x M10 Washers (e), and 2x M10 Nuts (g).



6. Attach Right Support Frame to Caster Base with 2x M10 Bolts (b), 2x M10 Washers (e), 2x Curved Spacers (f), Metal Spacer (i), 2x M10 Washers (e), and 2x M10 Nuts (g) in the order shown here.

7. Attach Right Support Frame to Right Vertical Frame with 2x M10 Bolts (c), 2x Curved Spacers (f), 2x M10 Washers (e), and 2x M10 Nuts (g).

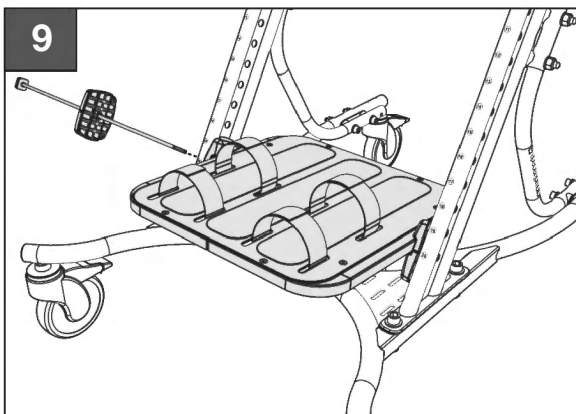




Do not tighten Frame Bolts until Step 15

8. Mount Inner Clamp Left and Inner Clamp Right to respective sides of Footplate as shown.

9. Position Footplate between Vertical Frames so that the Inner Clamp guide-marks line up with Position 20. Insert Safety Rod through Outer Clamp as shown.

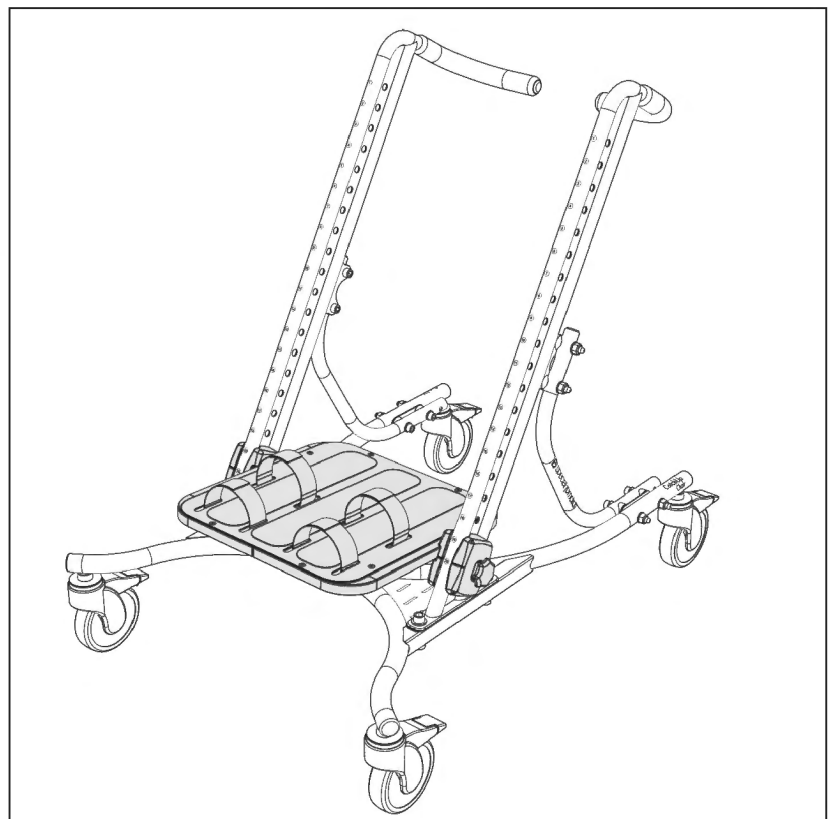
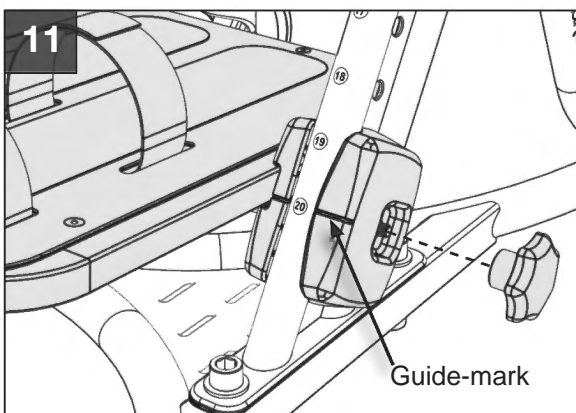
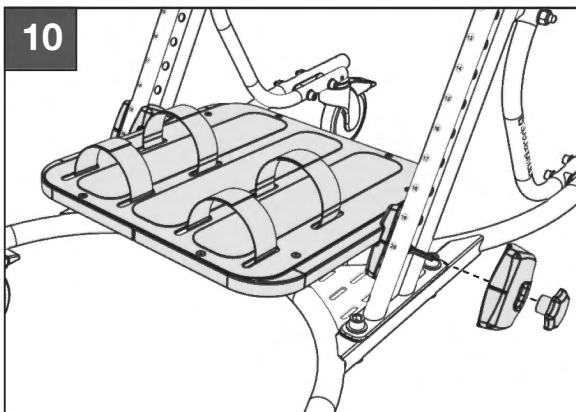


10. Next, slide Safety Rod through both Left and Right Vertical Frame holes at Position 20 as shown, ensuring that Safety Rod passes through the Footplate Assembly.

11. Position the second Outer Clamp as shown, and tighten the plastic Hand Knob onto Footplate Safety Rod threads. Note: Always ensure the guide-mark on all Inner and Outer Clamps faces forward to aid with positioning.



Note: Ensure that all Frame Bolts are still installed loosely. Ensure that the Safety Rod Hand Knob is **FULLY TIGHTENED** before proceeding to Step 12.

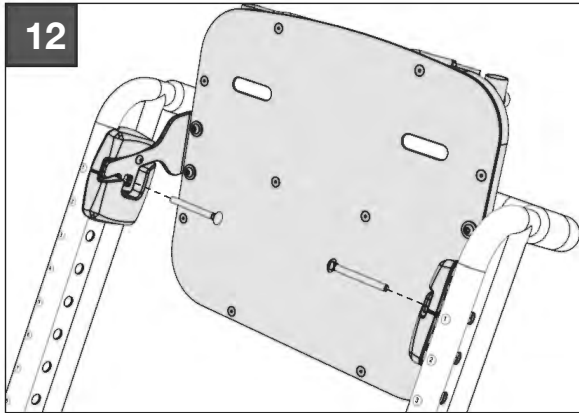




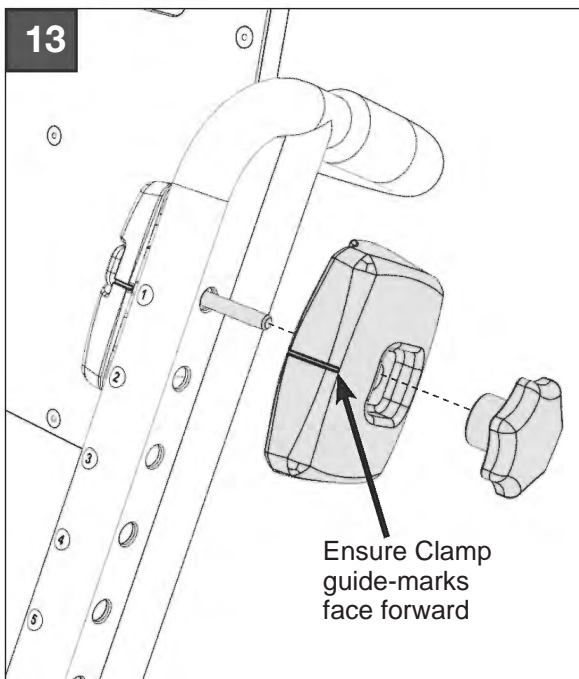
Note: Backrest shown without fabric in Steps 12-14 for clarity.



Do not tighten Frame Bolts until Step 15



12. Position Backrest between the Vertical Frames at Position 1 (top), then insert a Backrest Carriage Bolt through each Backrest Inner Clamp as shown.

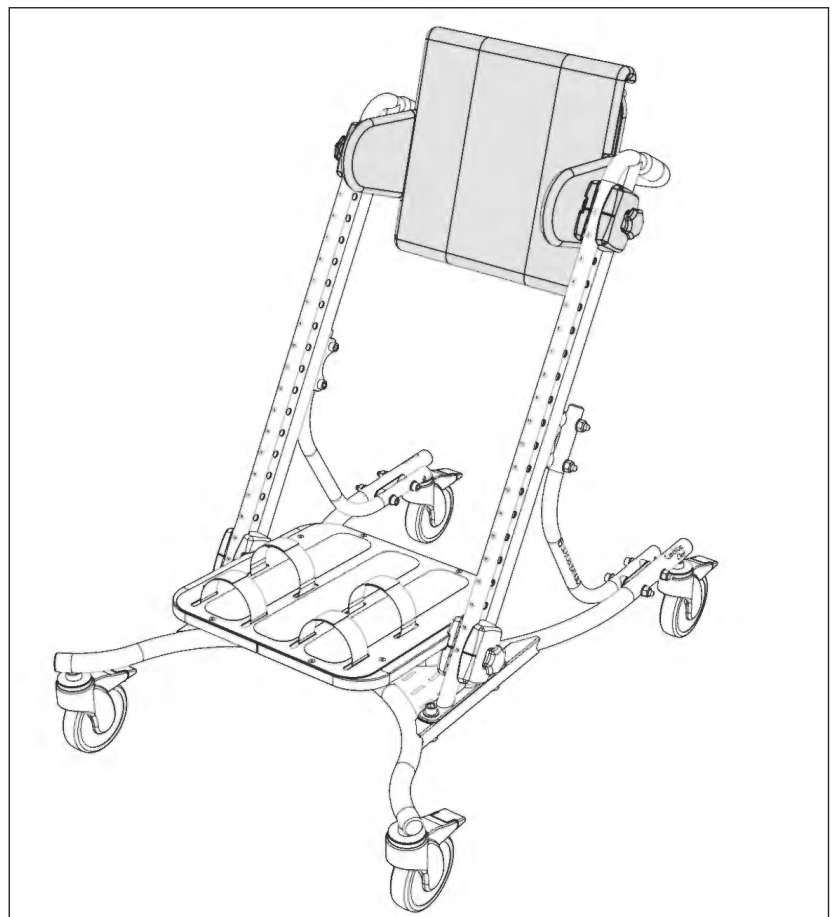
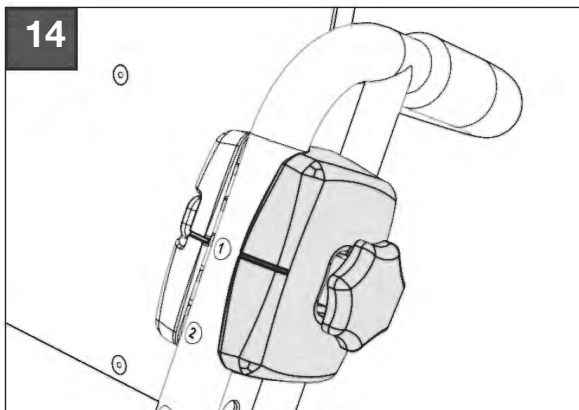


13. Mount Outer Clamp onto exposed Backrest Carriage Bolt at Position 1. Repeat with second Outer Clamp on opposite side.

14. Install Hand Knob onto Backrest Carriage Bolt and tighten down to secure the Backrest. Repeat with second Hand Knob on opposite side.



Note: Ensure both left and right Backrest Hand Knobs are fully tightened before proceeding to Step 15

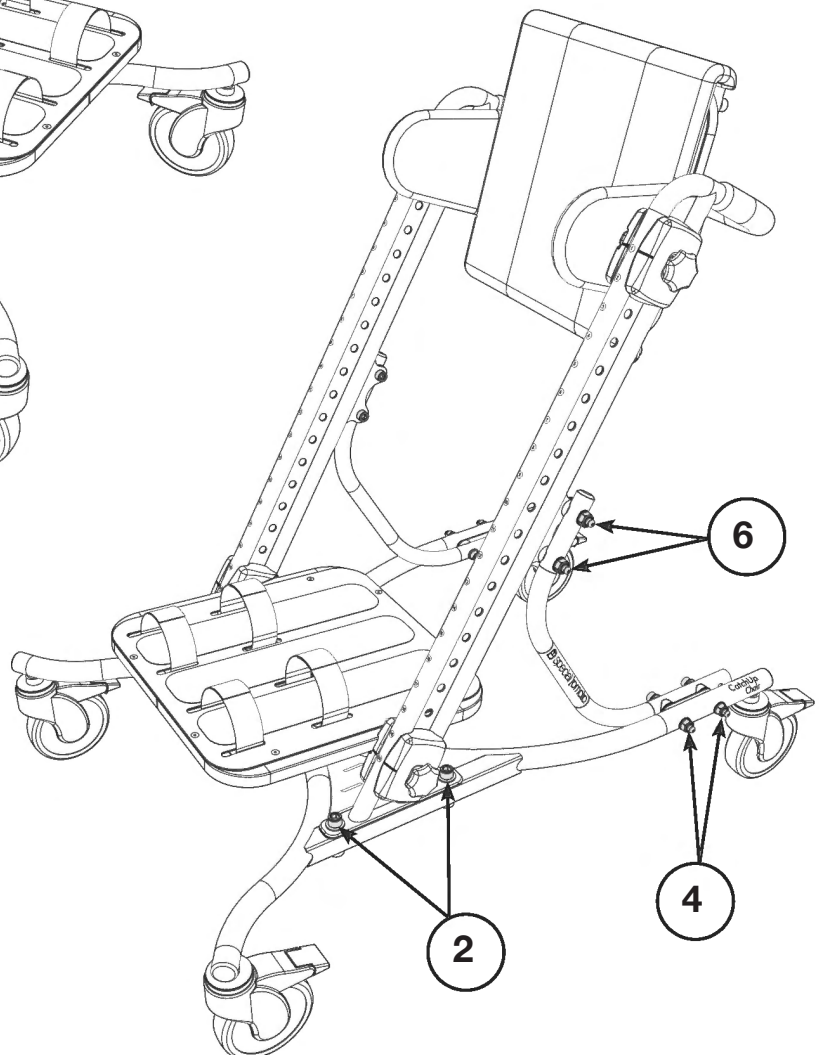
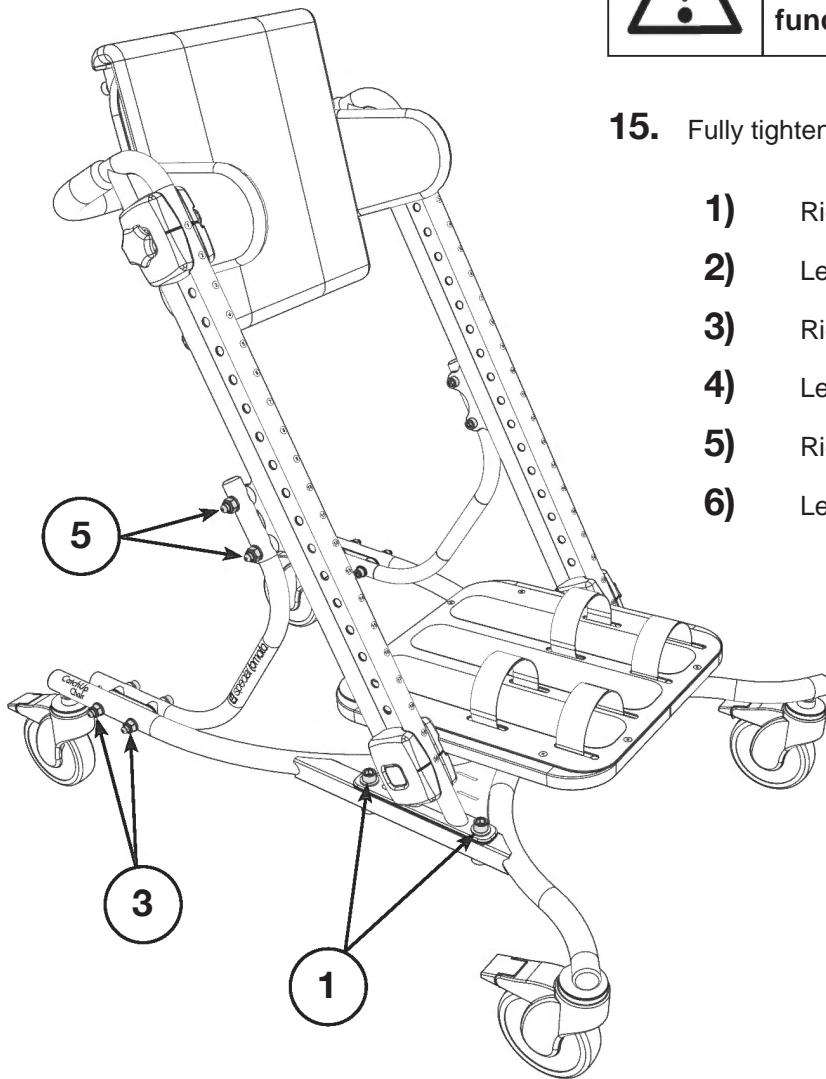


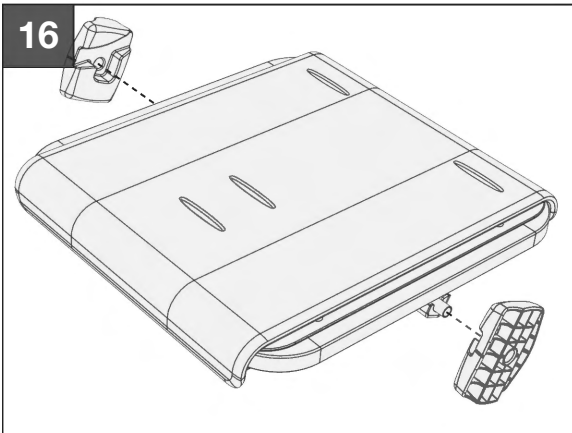


Frame Bolts must be tightened in the following order to ensure the CatchUp Chair functions properly.

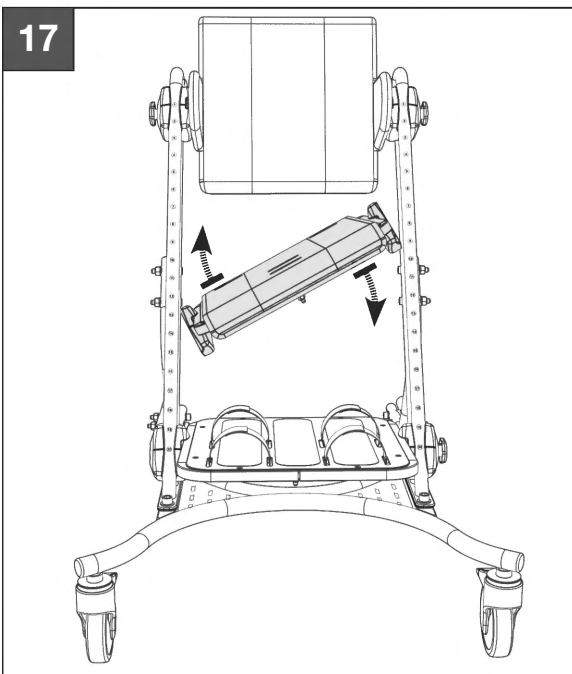
15. Fully tighten Frame Bolts in the following order:

- 1)** Right Vertical Frame Bolts
- 2)** Left Vertical Frame Bolts
- 3)** Right Support Frame Lower Bolts
- 4)** Left Support Frame Lower Bolts
- 5)** Right Support Frame Upper Bolts
- 6)** Left Support Frame Upper Bolts





16. Mount Inner Clamp Left and Inner Clamp Right to respective sides of the Seatplate as shown here.



17. Insert Seatplate diagonally between Vertical Frames. Then rotate the Seatplate until it is level and both Inner Clamps register between the Vertical Frame Tubes.

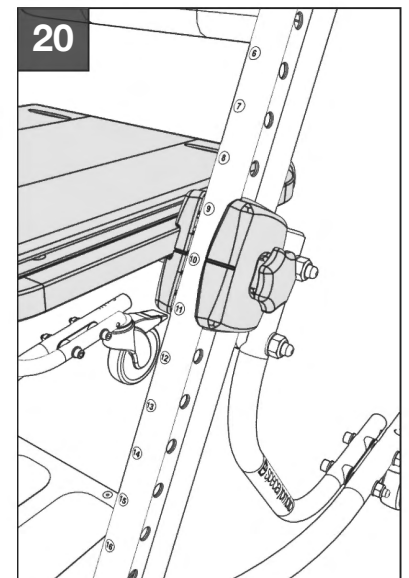
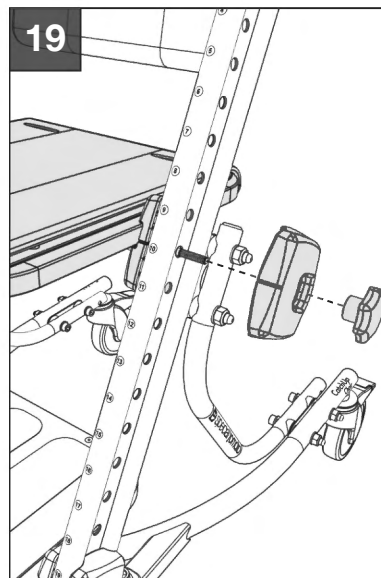
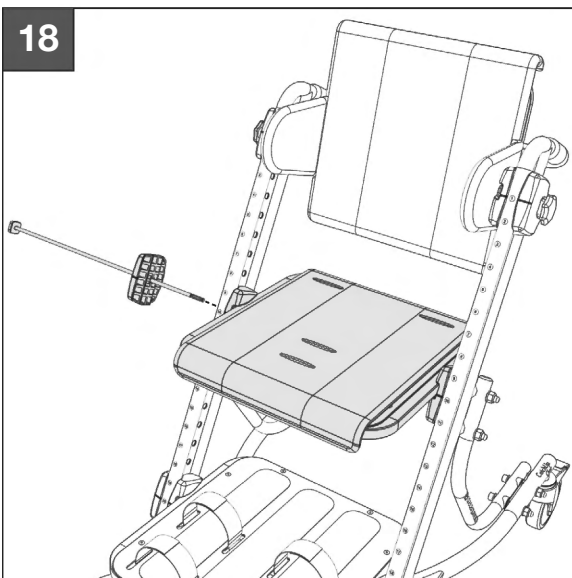
18. Mount Outer Clamp onto Safety Rod as shown, ensuring that the Outer Clamp guide-mark is facing forward. Then slide Seatplate to Position 10 on Vertical Frame.

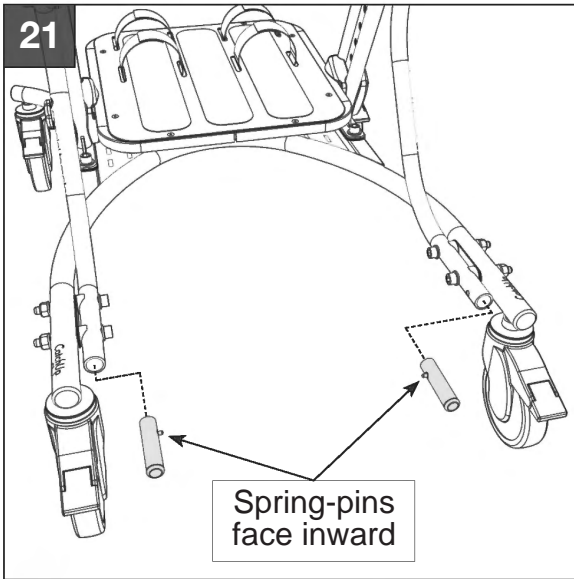
19. Insert Safety Rod through both Vertical Frame holes at Position 10, ensuring that the Safety Rod passes through the Seatplate Assembly.

20. Mount the second Outer Clamp onto the Safety Rod threads, and tighten Hand Knob to secure Seatplate in place. Note: Ensure that Outer Clamp guide-mark is facing forward, as shown.



Note: The Seatplate, Backrest, and Footrest can later be repositioned to best fit the occupant. Please see **Operation** section on Page 14 for details.

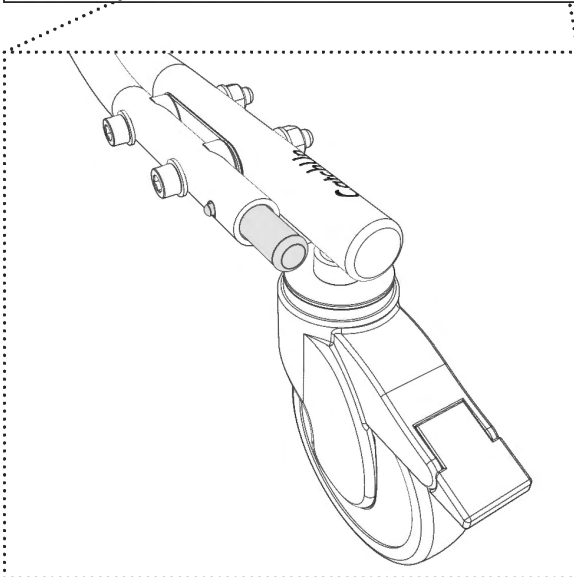
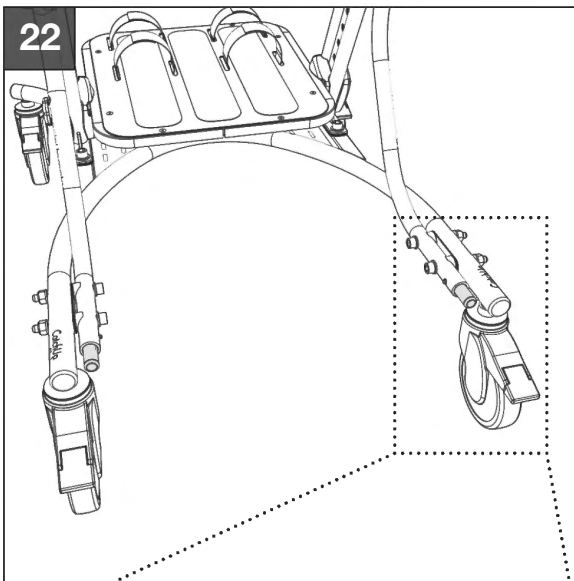




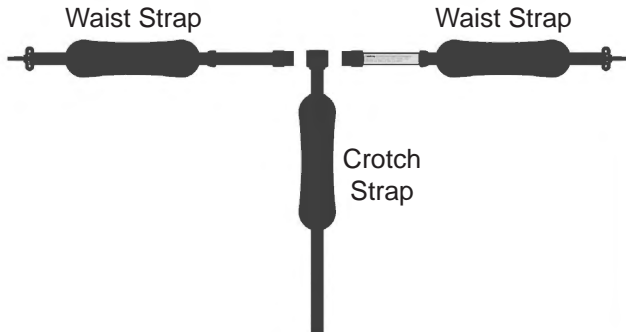
Note: The CatchUp Chair can be equipped with an optional Tray Kit. If you intend to install the Tray Storage Bracket, please do NOT install the Support Frame Plugs as shown here in Steps 21-22.

21. Before installing the Support Frame Plugs, be sure to orient each Support Frame Plug so that the spring-pin is facing INWARD, as shown here. This will ensure that the Support Frame Plugs are easy to remove in the future.

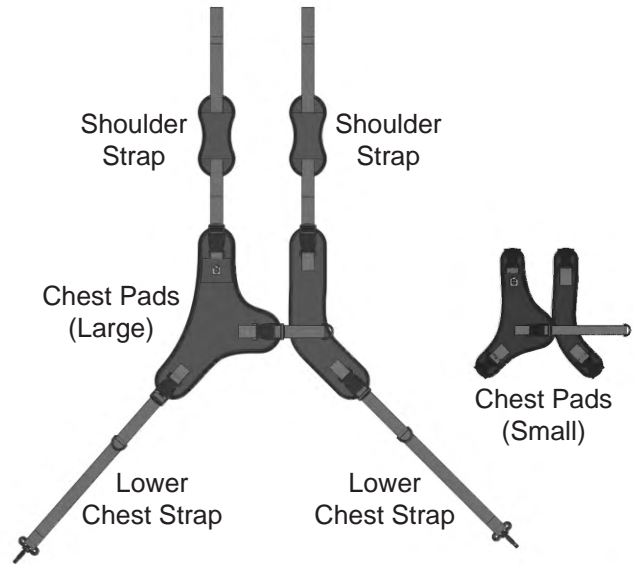
22. Depress the spring-pin, and slide the Support Frame Plug into Support Frame until the spring-pin pops into the Support Frame hole as shown. Repeat for opposite side.



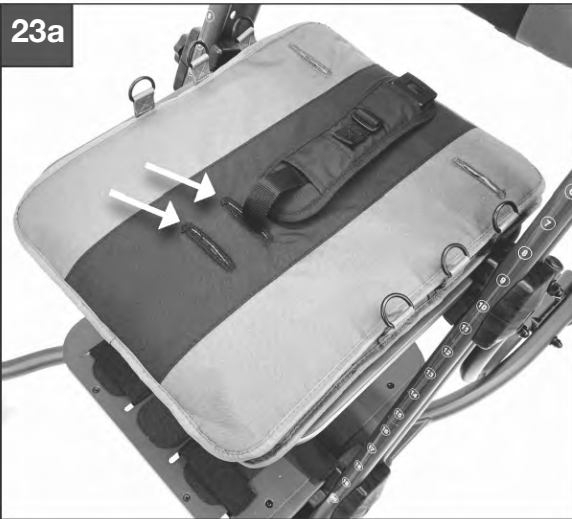
Pelvic Harness Assembly



Upper Body Harness Assembly



23a



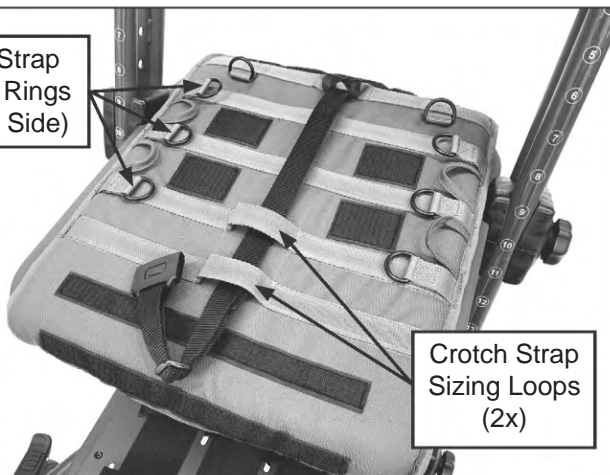
Note: The CatchUp Chair Pelvic Harness is pre-installed onto the Seatplate, but can be adjusted to better fit the occupant.

23. The Pelvic Harness Crotch Strap can be installed through either of the two central slots in the Seatplate Fabric Cover as shown by white arrows. Figure 23b shows the Pelvic Harness Anchor Points when the Seatplate Fabric Cover is removed.

24. The Pelvic Harness Waist Strap endpoints can be clipped onto one of the three D-ring anchor positions located along each side of the Seatplate as shown by the white arrows. The unused D-ring anchors can be tucked under the Seatplate Fabric Cover if desired.

23b

Waist Strap
Anchor Rings
(3x Per Side)



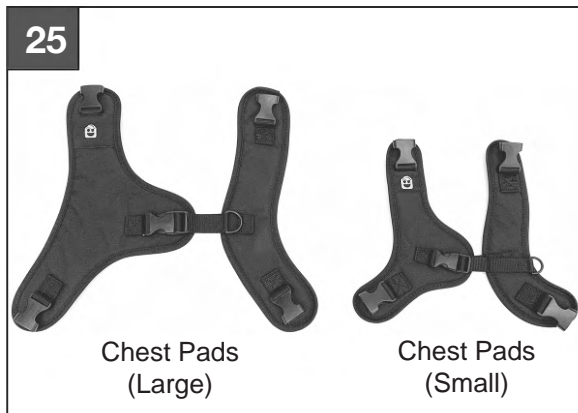
Crotch Strap
Sizing Loops
(2x)

24



Assembly

Upper Body Harness



i Note: The CatchUp Chair Shoulder Straps are pre-installed onto the Backrest

i Note: The CatchUp Chair Lower Chest Straps are pre-installed onto the Seatplate

25. Either the Large Chest Pads or Small Chest Pads can be installed to provide the best fit for the occupant.



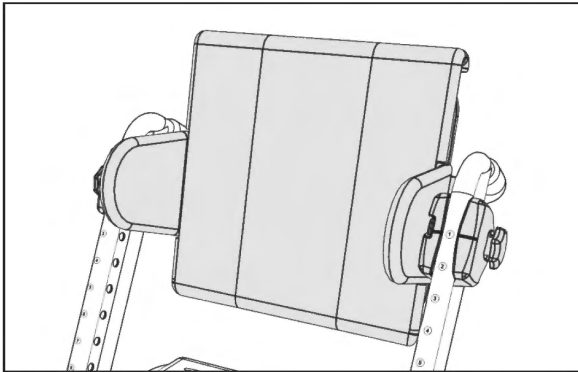
26. Clip the Chest Pads top buckles into the 2x Shoulder Strap buckles as shown by arrows.

27. Next, clip the Chest Pads bottom buckles into the 2x Lower Chest Straps as shown by arrows.

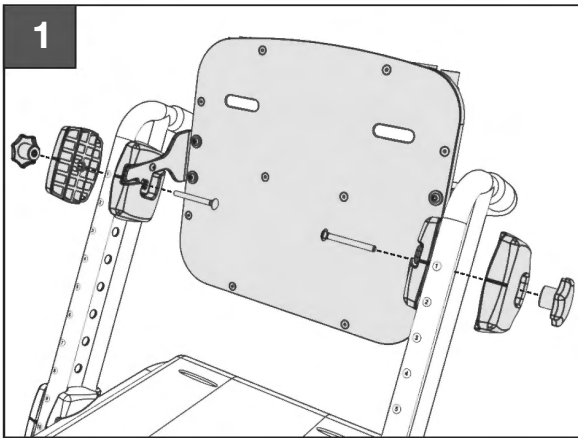


Operation

Backrest Height Adjust



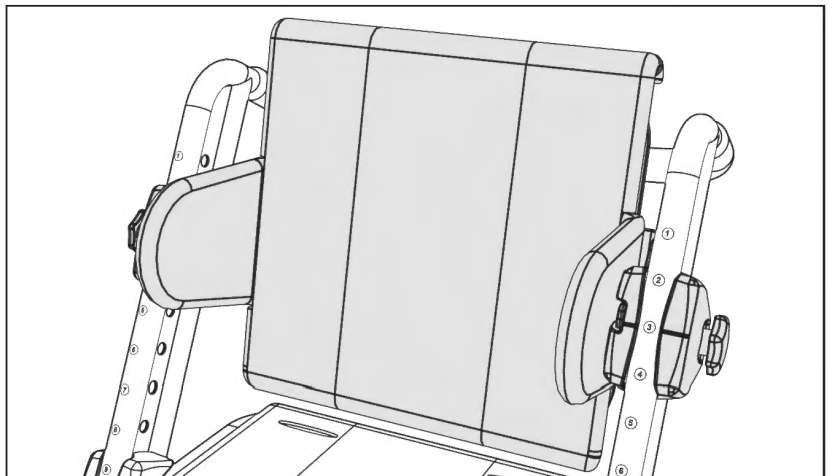
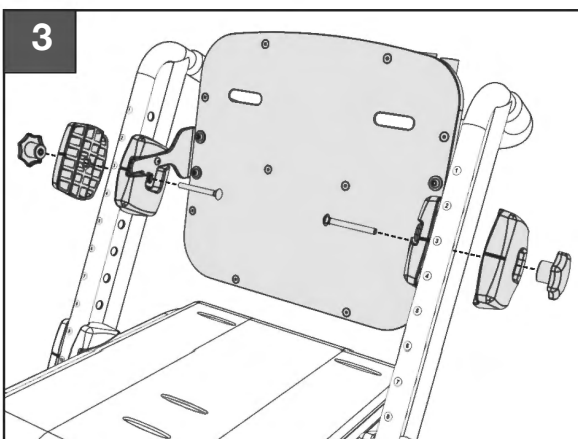
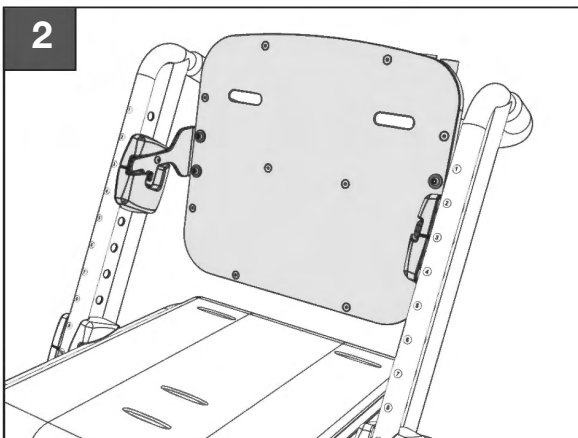
Note: The CatchUp Chair Backrest fabric is shown removed in Steps 1-3 for clarity only. The fabric does NOT need to be removed for height adjustment.

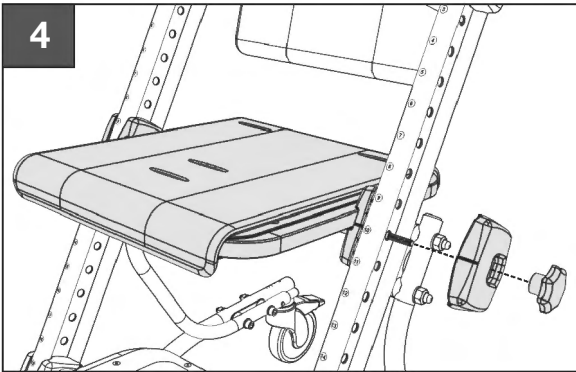


1. To adjust the height of the Backrest, begin by unscrewing both Plastic Hand Knobs and remove both Outer Clamps. Then, while supporting the Backrest with one hand, remove each Carriage Bolt from the Inner Clamps. Once both Carriage Bolts are removed, the Backrest will be free to slide along the CatchUp Chair Vertical Frames.

2. Reposition the Backrest to the desired height, and be sure that both left and right Inner Clamp guide-marks point to the same Frame Number Position.

3. Re-insert each Carriage Bolt through the two Inner Clamps, then re-attach the two Outer Clamps. Ensure that the Outer Clamps guide-marks are facing forward, then tighten down the two Plastic Hand Knobs.





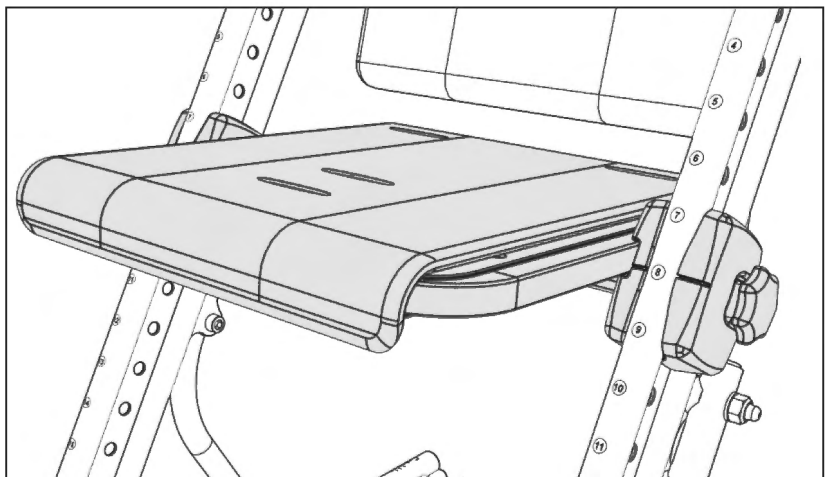
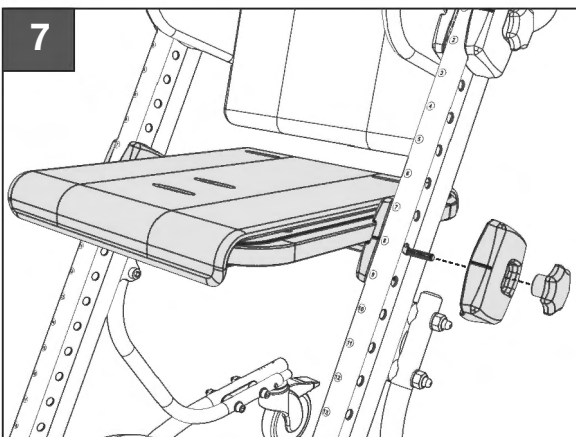
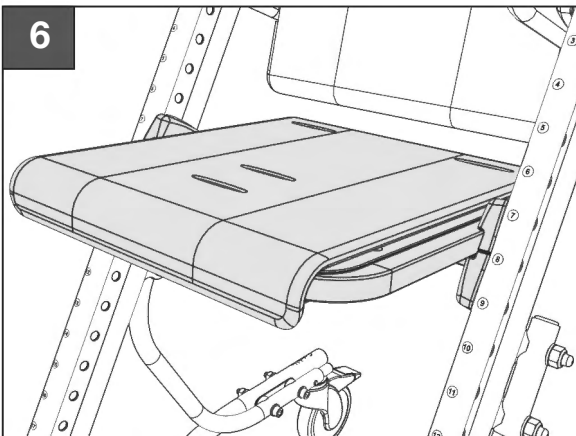
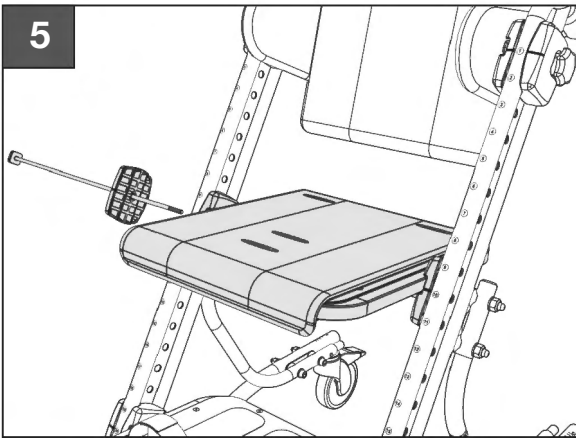
Note: The instructions for height adjustment are the same for both the Seat and the Footrest.

4. To adjust the height of the Seatplate or Footrest, begin by unscrewing the Plastic Hand Knob, then remove the Outer Clamp.

5. Next, while supporting the Seatplate or Footrest with one hand, remove the Safety Rod and second Outer Clamp.

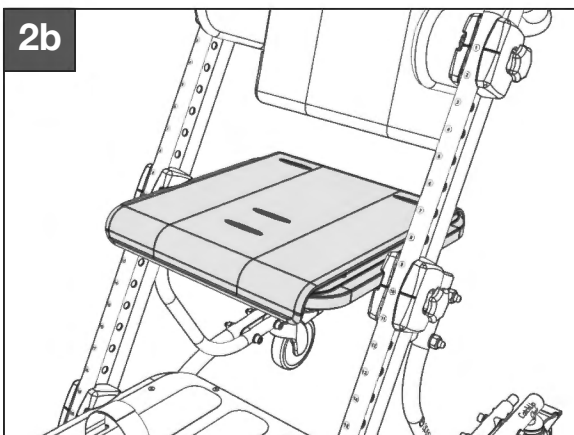
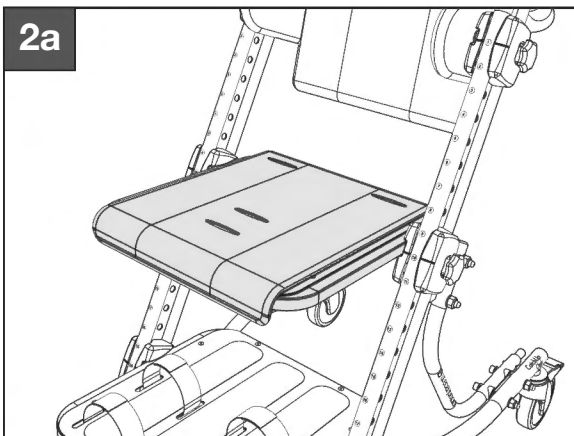
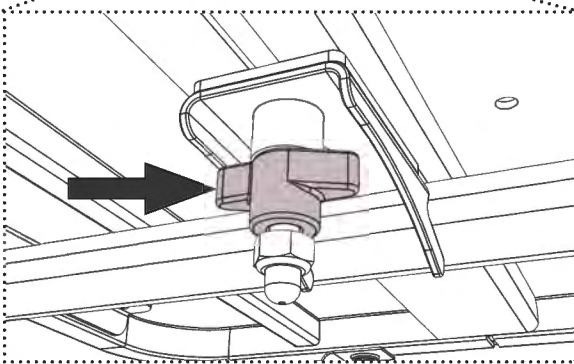
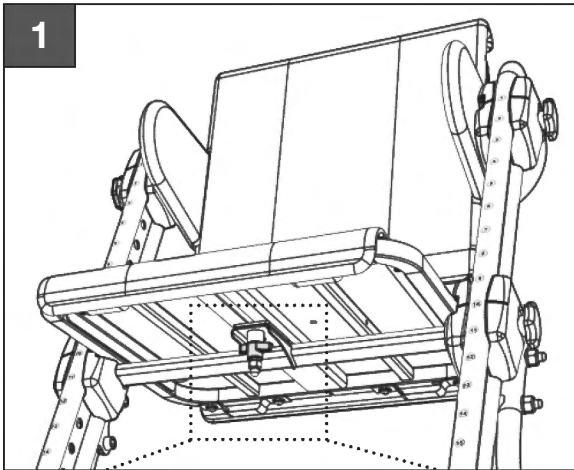
6. Reposition the Seatplate or Footrest to the desired height, and be sure that both left and right Inner Clamp guide-marks point to the same Frame Number Position.

7. Re-insert the Safety Rod and Outer Clamp through the matching Vertical Frame Holes. Lastly, re-attach the second Outer Clamp and tighten down the Plastic Hand Knob. Note: Ensure that both Outer Clamp guide-marks are facing forward.



Operation

Seat & Footrest Depth Adjust



Note: The CatchUp Chair Seatplate and Footrest are both depth-adjustable. The instructions for depth adjustment are identical for both the Seatplate and Footrest.

1. To adjust the depth of either the Seatplate or the Footrest, first loosen the plastic wing-nut located underneath the Seatplate or Footrest, as shown here.
2. Next, slide the Seatplate or Footrest forward or backward until it is at the proper depth, then re-tighten the plastic wing-nut.



Note: If the Seatplate or Footrest will not slide forward or backward after the plastic wing-nut is loosened, check to make sure that the Safety Rod is not over-tightened.



Note: Each strap that makes up the CatchUp Chair Positioning Harness is length adjustable. The Large Chest Pad and Small Chest Pad are interchangeable, and either may be used for best fit.



Position each Shoulder Pad to prevent webbing or plastic buckles from contacting the occupant's neck or face.

For best fit, ensure the Chest Strap is positioned across the middle of the occupant's chest at armpit level.

The Crotch Strap buckle contains a single quick-release mechanism that unlocks both Waist Straps for fast access to the occupant.

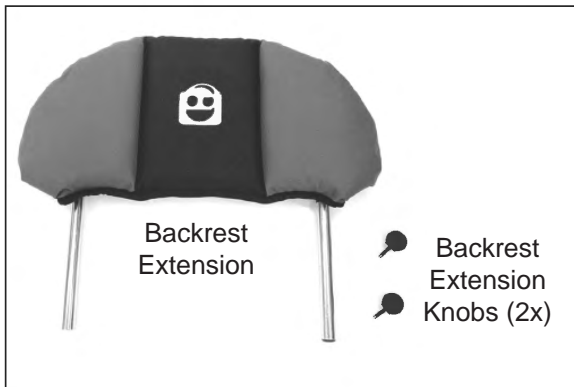
Simply press directly in the center of the button to disengage both Waist Straps.

For best fit, adjust the length of the Crotch Strap so that the two Waist Straps lie across the occupant's pelvis.



Each Waist Strap buckle features a cam lock that prevents the Pelvic Harness from accidentally becoming loose.

To adjust the Waist Strap length, first release the cam lock by pushing the webbing up through the buckle as shown here.



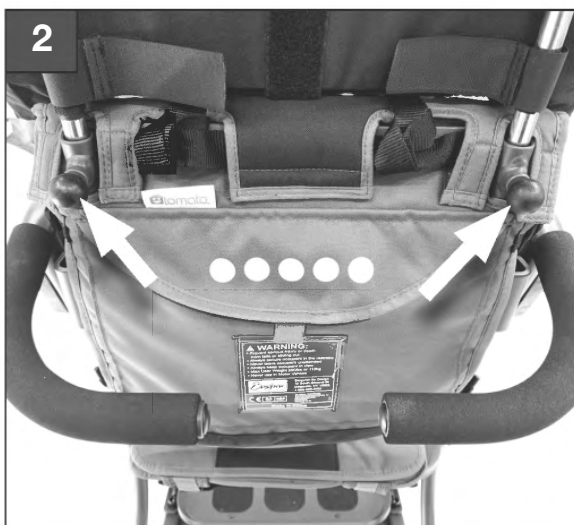
1. To install the Backrest Extension, first make sure both Backrest Extension Knobs are installed onto the CatchUp Chair Backrest Receiver Tubes as shown by white arrows. Fully loosen both Knobs, then insert both Backrest Extension metal posts into the Receiver Tubes on the back of the CatchUp Chair Backrest as shown by black arrows. Ensure that both metal posts pass **BEHIND** the Backrest Fabric Pocket as shown.

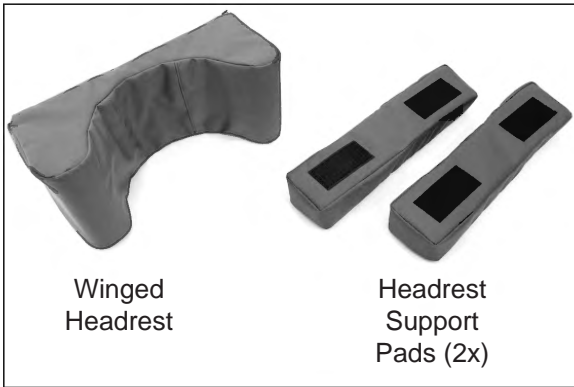
2. Once the Backrest Extension is at the desired height, fully tighten both Backrest Extension Knobs until the Backrest Extension posts are secure. Note: The rubber O-rings on each Backrest Extension metal post can be used to help temporarily set the Backrest Extension height while the Backrest Extension Knobs are being tightened.



Backrest Extension Washing Instructions:

1. First remove the two metal posts, then re-secure the 4x Velcro tabs on the back of the Backrest Extension so that no “hook” Velcro will be exposed during the wash cycle.
2. Next, slide out the rigid plastic insert from the pocket on the back of the Backrest Extension.
3. Place the Backrest Extension in a mesh laundry bag and wash on gentle cycle, then air-dry for best results.
4. Once Backrest Extension fabric is completely dry, re-install the plastic insert and both metal posts.





Note: Winged Headrest is shown installed onto the Backrest Extension, but it can also be installed onto the Backrest if desired.



Note: The Winged Headrest can be used with or without the Headrest Support Pads, which allow for additional Headrest angle adjustment and depth control.



1. To install the Winged Headrest, position the headrest on the CatchUp Chair as shown, then pass the two Winged Headrest straps behind the Backrest Extension.

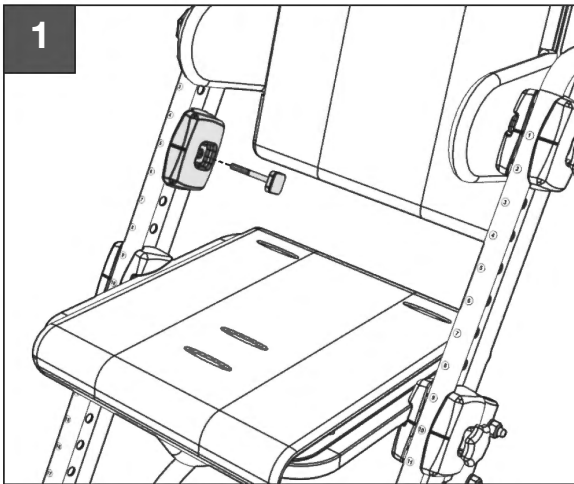
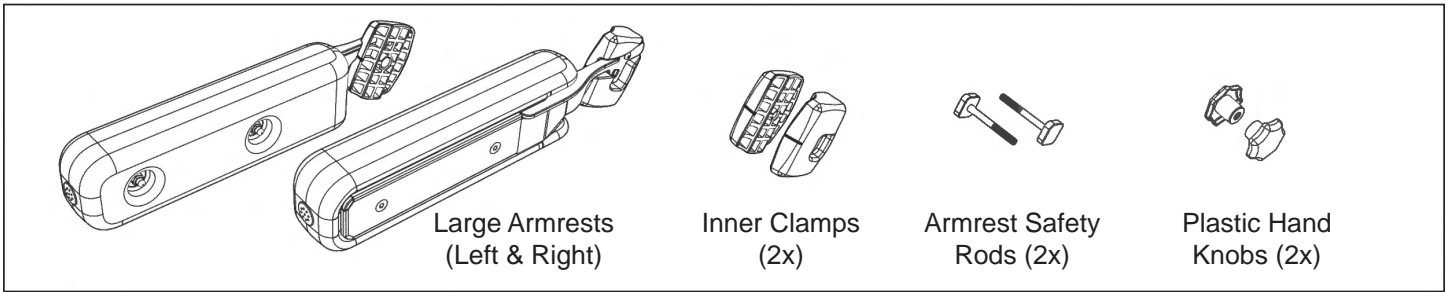


2. When the Winged Headrest is attached to the Backrest Extension, the Headrest straps should be installed in an "X" pattern as shown. Tighten the straps securely.



Winged Headrest Washing Instructions:

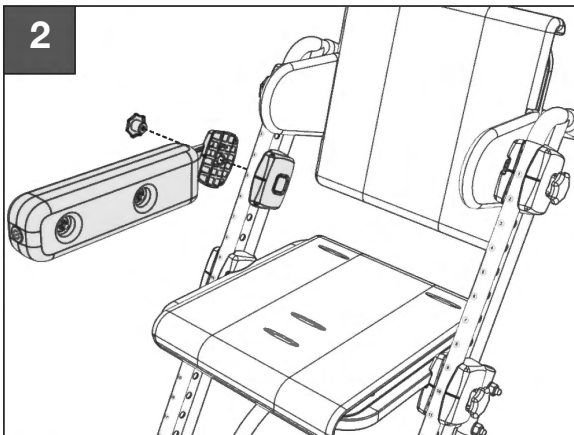
1. First remove the internal foam from the Winged Headrest and Support Pads by opening the zipper compartment.
2. If washing the Headrest Support Pads, make sure they are securely attached to the Winged Headrest so that no "hook" Velcro is exposed during washing.
3. Make sure both Winged Headrest straps are securely buckled together and all zippers are closed.
4. Place the Winged Headrest assembly in a mesh laundry bag and wash on gentle cycle, then air-dry for best results.
5. Once Headrest Fabric is completely dry, re-install the internal foam and close each zipper compartment.



i Note: When installing the Large Armrests, make sure that the Armrest Velcro patch is facing OUTWARD.

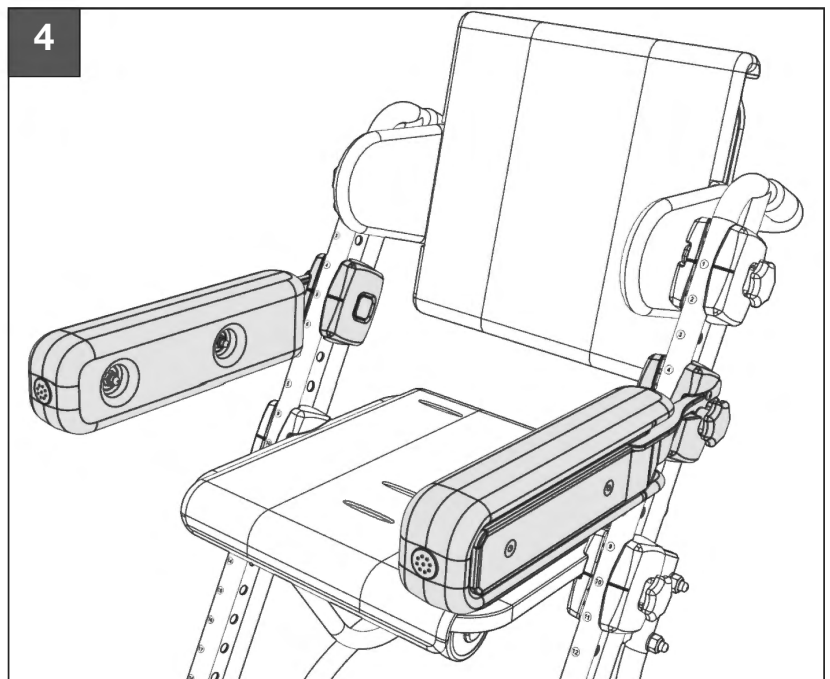
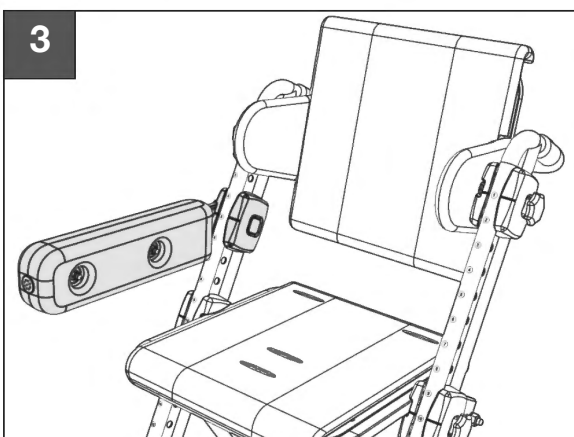
1. To install the Large Armrests, start by placing an Inner Clamp at the desired Frame Position Hole, then slide an Armrest Safety Rod through the Inner Clamp as shown. Ensure that Clamp guide-mark is facing forward as shown.

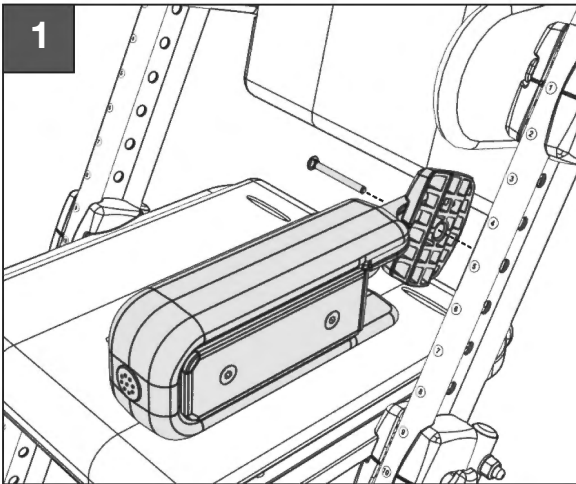
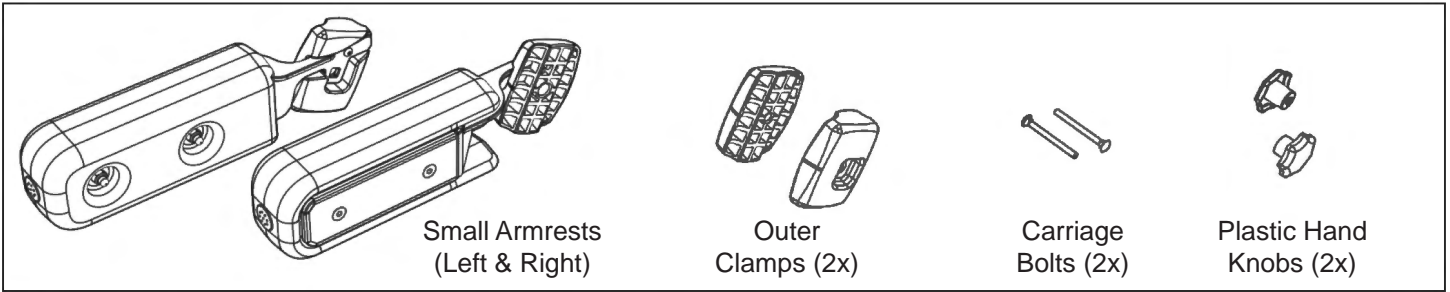
2. Next, position the Large Armrest as shown on the outside of the Vertical Frame, ensuring that the Armrest Clamp lines up with the Armrest Safety Rod. Note: Armrest Velcro patch should be facing OUTWARD.



3. Tighten down the Plastic Hand Knob to secure the Large Armrest to the CatchUp Chair Frame.

4. Repeat for the opposite side Large Armrest.

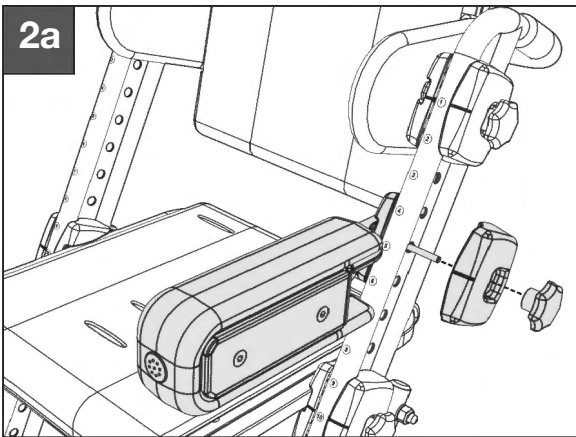




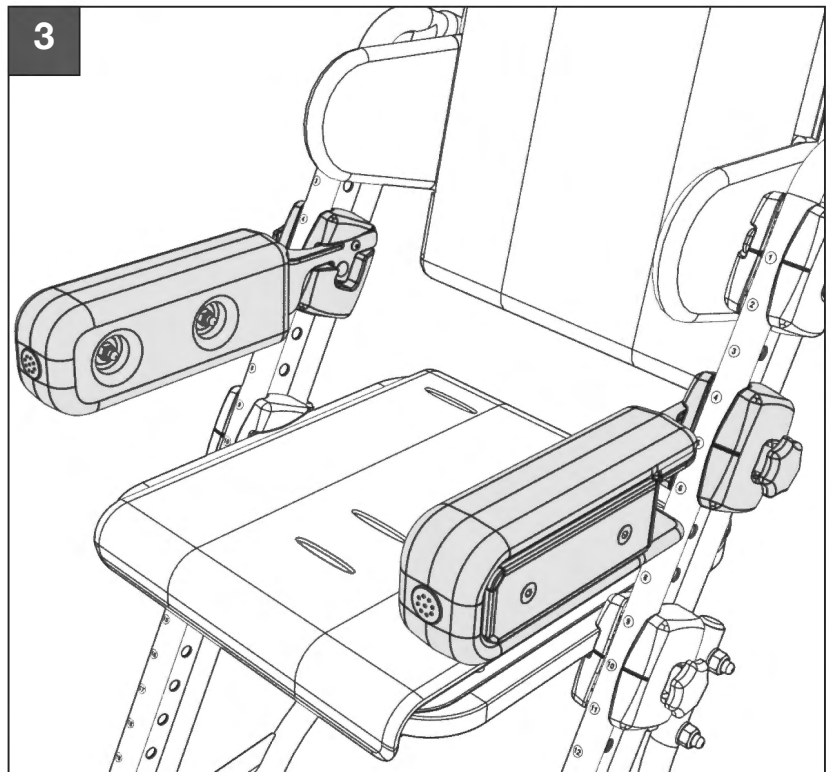
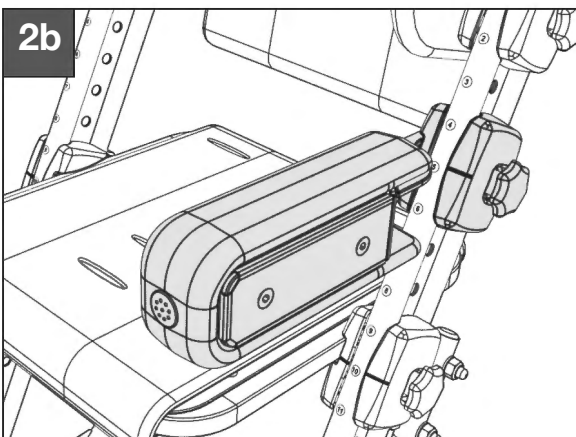
Note: When installing the Small Armrests, make sure that the Armrest Velcro patch is facing OUTWARD.

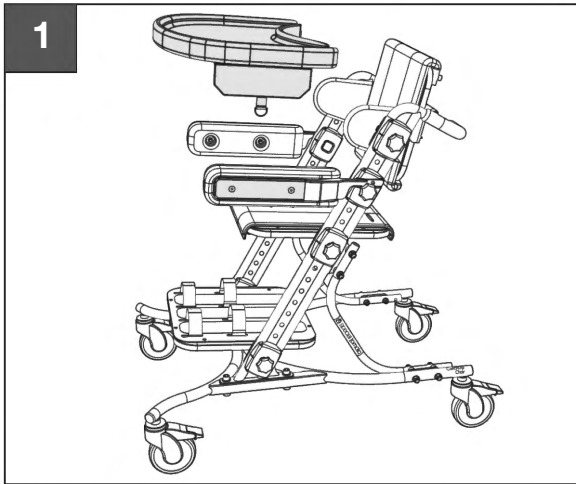
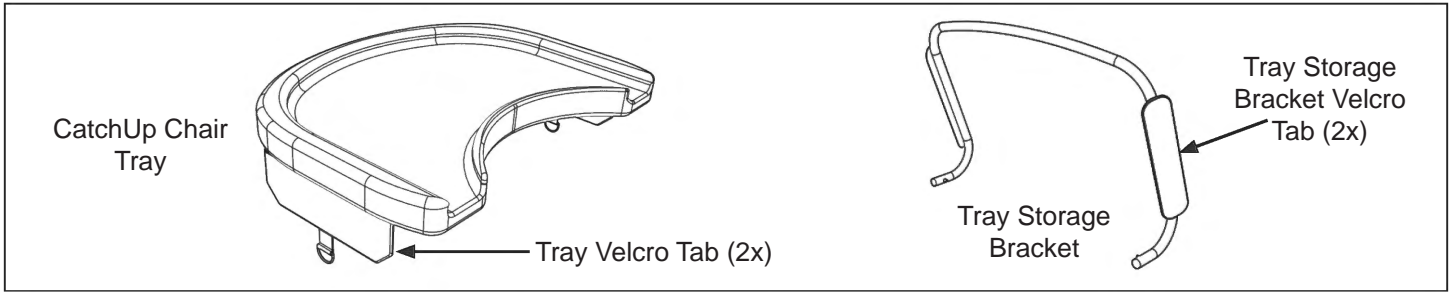
1. To install the Small Armrests, start by placing the Small Armrest at the desired height against the inside Vertical Frame, then slide a Carriage Bolt through the Inner Clamp as shown.

2. Next, position an Outer Clamp on the outside of the Vertical Frame so that the Carriage Bolt passes through the Outer Clamp. Ensure that the Outer Clamp guide-mark is facing forward. Tighten the Plastic Hand Knob onto the exposed Carriage Bolt threads to secure the Small Armrest to the CatchUp Chair Frame.



3. Repeat for the opposite side Small Armrest.

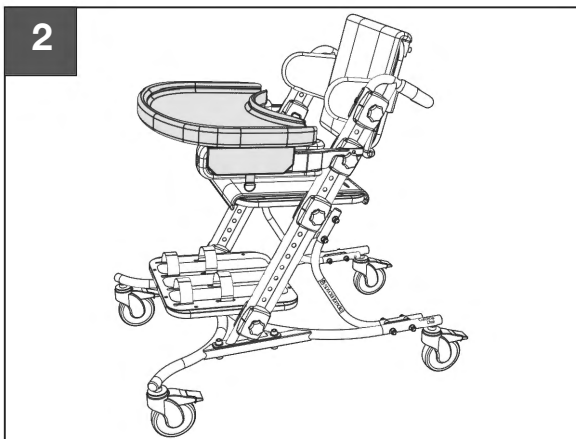




i Note: The CatchUp Chair Tray requires either the Small or Large Armrests to be installed first. Large Armrests & Large Tray Kit are shown here.

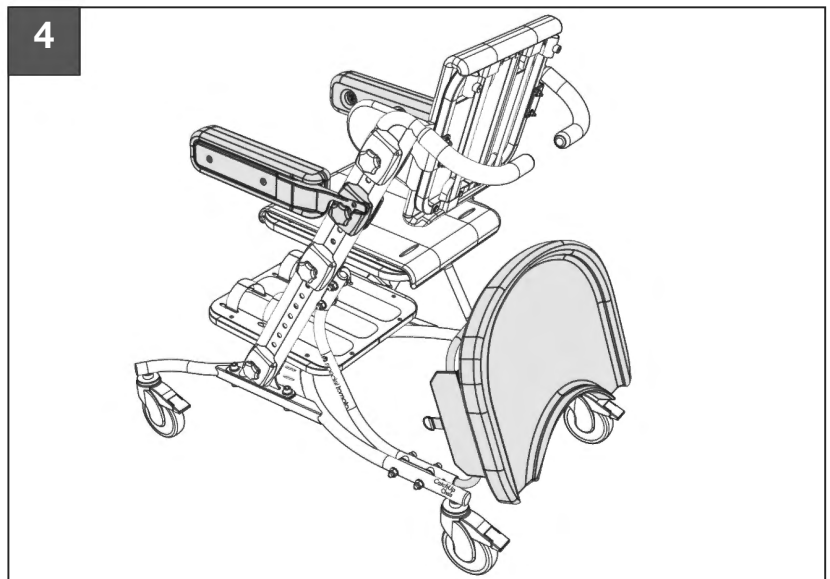
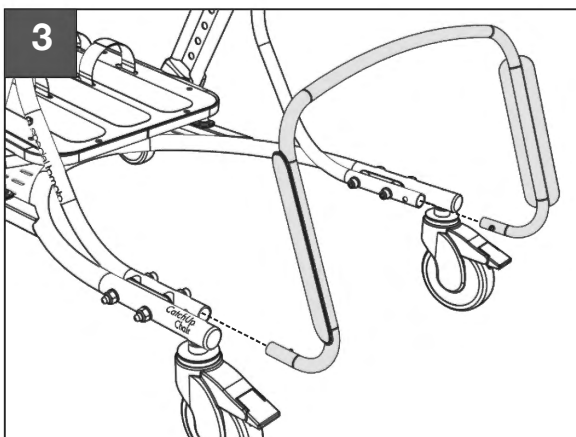
1. To install the CatchUp Chair Tray, align the Tray Velcro Tab with the matching Velcro Tab on the outside surface of the Armrest as shown.

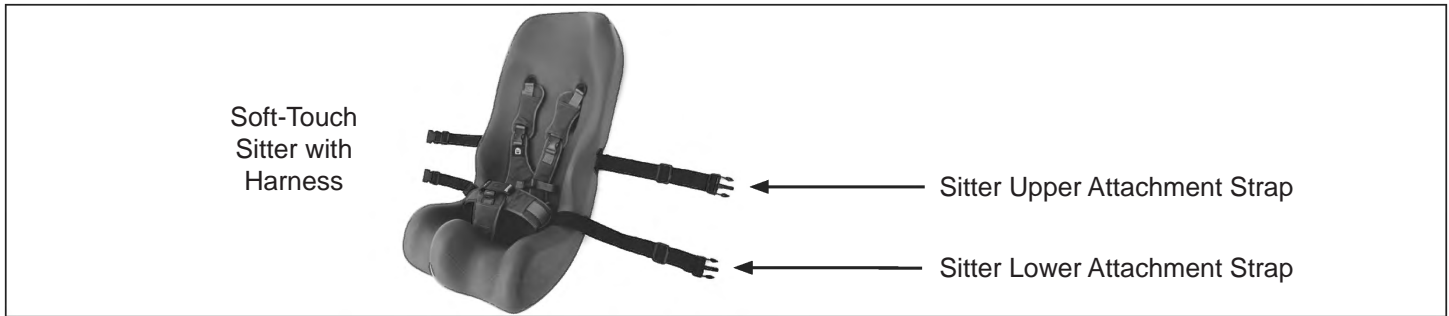
2. Place the bottom surface of the Tray flat against the top surface of the Armrests, and firmly apply each Tray Velcro Tab against the Armrest Velcro Tabs as shown. To remove the Tray, simply pull the Tray Velcro Tab Rings away from each Armrest.



3. To install the Tray Storage Bracket, simply insert the two spring pins into the CatchUp Chair Support Frame Tubes as shown.

4. When the Tray is not being used, it can be kept on the Tray Storage Bracket by fastening both Tray Velcro Tabs to the Tray Storage Bracket Velcro Tabs. Note: The Large Tray Kit shown here is mounted to the Storage Bracket facing rearward. The Small Tray Kit mounts to the Storage Bracket facing forward.





i Note: The Soft-Touch Sitter comes with a pre-installed Pelvic and Upper Body Harness. When using the Sitter Cushion, the CatchUp Chair Harness can be removed or simply tucked out of the way.

i Note: Before installing the Sitter Cushion, make sure that the CatchUp Chair Seatplate and Backrest are positioned to allow BOTH Sitter Attachment Straps to securely wrap around the CatchUp Chair.

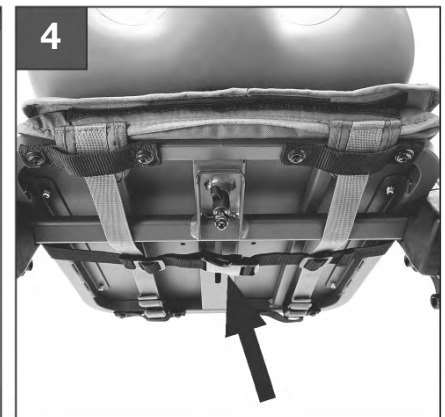
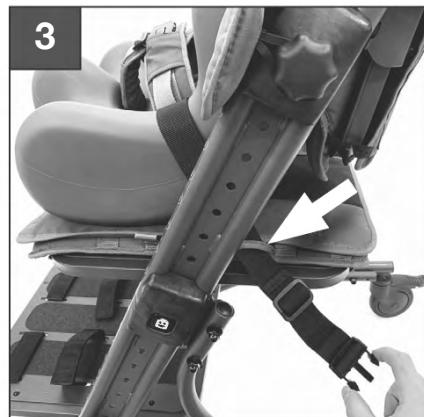


1. To install the Sitter cushion, first unbuckle the four toggles on the Backrest Pocket and move the Backrest Pocket up out of the way. Buckle both ends of the Sitter Upper Attachment Strap behind the CatchUp Chair Backrest as shown by arrow, then fully tighten the strap.

2. Lower the Backrest Pocket back into place and re-buckle the four Backrest Pocket toggles as shown by arrows.

3. Next, pass the Sitter Lower Attachment Strap through a Seatpad Fabric Loop as shown by arrow. Repeat for opposite side.

4. Buckle the Sitter Lower Attachment Strap underneath the Seatplate as shown by arrow, then fully tighten the Lower Attachment Strap.



Accessories

Soft-Touch Seat Liner



Note: The Soft-Touch Seat Liner comes with a pre-installed Pelvic Harness. When using the Seat Liner Cushion, the CatchUp Chair Pelvic Harness can be removed or simply tucked out of the way.



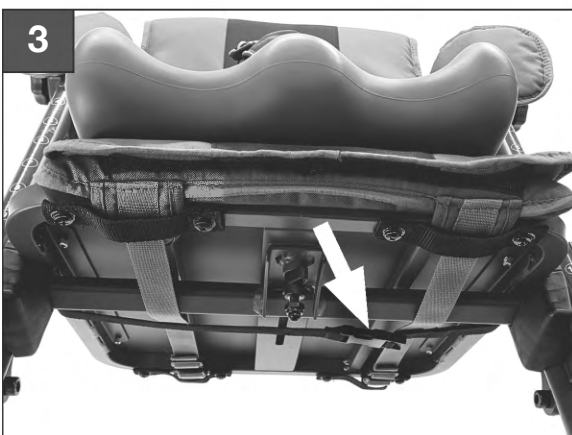
Note: For best fit, place the Seat Liner Cushion's front edge flush with the front edge of the CatchUp Chair Seatplate.



1. To install the Seat Liner, first place the Seat Liner Cushion on the CatchUp Chair Seatplate, and drape Seat Liner Attachment Strap BEHIND both Vertical Frames as shown.



2. Next, pass the Seat Liner Attachment Strap through the Seatpad Fabric Loop as shown by arrow. Note: Choose the Fabric Loop that is closest to the BACK of the Vertical Frame.

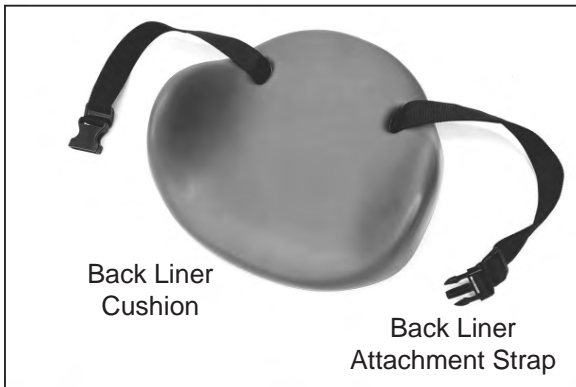


3. Pass opposite end of Seat Liner Attachment Strap through opposite-side Seatpad Fabric Loop, then buckle the Seat Liner Attachment Strap underneath the Seatplate as shown by arrow. Lastly, fully tighten the Attachment Strap.



Accessories

Soft-Touch Back Liner



Note: The Soft-Touch Back Liner comes with a pre-installed Attachment Strap. The Back Liner is designed to be used with the CatchUp Chair Upper Body Harness.



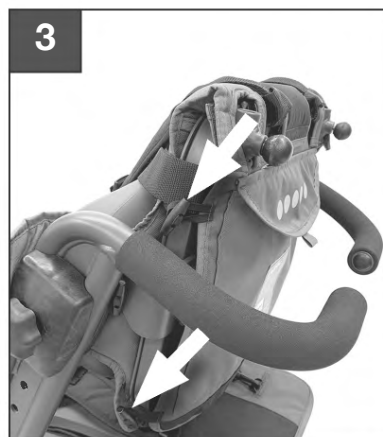
1. To install the Back Liner Cushion, first remove the Upper Body Harness Chest Pads and set them aside. Next unbuckle the four toggles on the CatchUp Chair Backrest Pocket and move the Backrest Pocket up out of the way.



2. Place the Back Liner Cushion against the CatchUp Chair Backrest, and buckle the Attachment Strap around behind the Backrest Plate above the Backrest Clamps as shown. Fully tighten the Attachment Strap.



3. Lower the Backrest Pocket back down into place and re-buckle the four Backrest Pocket toggles as shown by arrows.



4. Re-buckle the Upper Body Harness Chest Pads to the Shoulder Pads and Lower Chest Straps as shown.

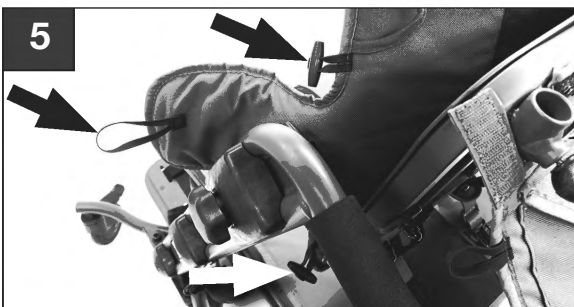
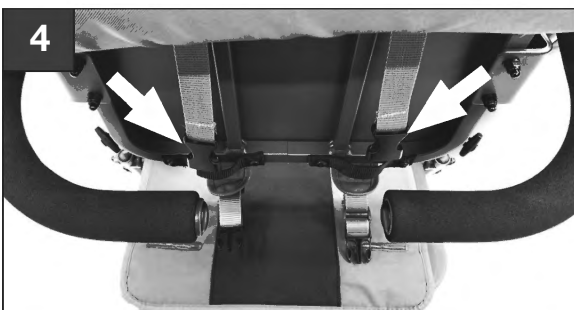


- Before each use, always make sure all fasteners and components are securely tightened.
- Major frame components should be wiped with a soft damp cloth as needed to remove any dirt.
- Any loose, worn, or damaged parts should always be repaired or replaced by an approved service center before using the CatchUp Chair. Only manufacturer replacement parts should be used. Contact the manufacturer or retailer for questions regarding service of CatchUp Chair.
- Moving parts may be lubricated with a high quality PTFE or similar dry-lubricant spray.



Note: Do not use WD-40, silicone sprays, or similar lubricants on CatchUp Chair moving parts that will attract dust and dirt.

- CatchUp Chair fabric components may be cleaned with a damp cloth, or removed and machine-washed using cold water on gentle cycle with standard detergent. See **Machine Washing** section on Page 27 for detailed information.
- Always ensure that fabric components are COMPLETELY dry before re-installing onto the CatchUp Chair.



i Note: All fabric components should be placed into a mesh laundry bag before being machine-washed. Make sure there is no exposed “hook” Velcro before washing.

Harness Removal for Washing:

1. To remove Shoulder Straps, first remove each Shoulder Pad, then unthread the Shoulder Strap from Backrest as shown. Remove Chest Pads, Lower Chest Straps (2x), and Waist Straps (2x), by simply unclipping each from CatchUp Chair.
2. To remove Crotch Strap, first remove the Crotch Pad, then remove the Seatplate Fabric Cover. Lastly, unthread the Crotch Strap from the Seatplate Fabric loop as shown.

Backrest Upholstery Removal for Washing:

3. To remove Backrest Fabric, start by unhooking the five backrest Velcro fabric tabs shown here.
4. Next, unbuckle the four Backrest Pocket toggles, and pull Backrest Pocket up and out of the way. Next unclip the two Backrest Fabric Strap buckles shown by arrows.
5. Next, release the two Backrest Fabric toggles and the Elbow Pad Loop, as shown by arrows. Repeat on opposite side, then completely remove the Backrest Fabric from the Backrest.

Seat Upholstery Removal for Washing:

6. To remove Seat Upholstery, start by making sure the Seatpad Fabric Cover is attached as shown.
7. Next, unclip the two Seat Upholstery Strap buckles that run underneath the Seatplate, and remove the Seat Upholstery assembly.



Warranty

LIMITED WARRANTY:

The CatchUp Chair is guaranteed to be free from manufacturing defects for a period of 2 years from the date of purchase. Normal wear and tear is not covered. This warranty extends only to the original retail purchaser and is only valid with proof of purchase. Please retain proof of purchase with this Limited Warranty.

Please contact the retailer where the CatchUp Chair was purchased for all service and repair inquiries.

The Limited Warranty will not be applicable if:

- A fault is caused by misuse or poor maintenance.
- Repairs are carried out by an unapproved third party.
- The CatchUp Chair is faulty due to general wear and tear resulting from everyday use.
- The CatchUp Chair is damaged as the result of an accident.
- The manufacturer is not satisfied that the stated warranty terms and conditions have been met.

