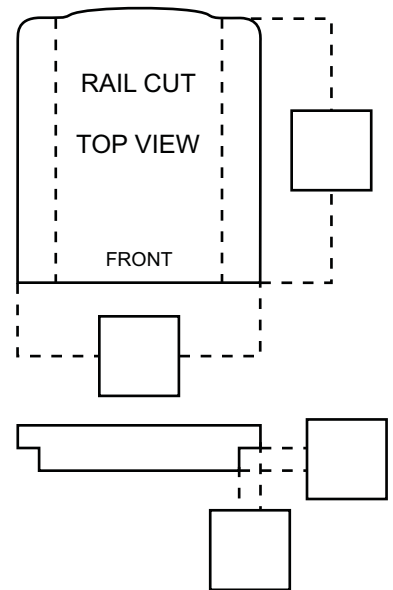
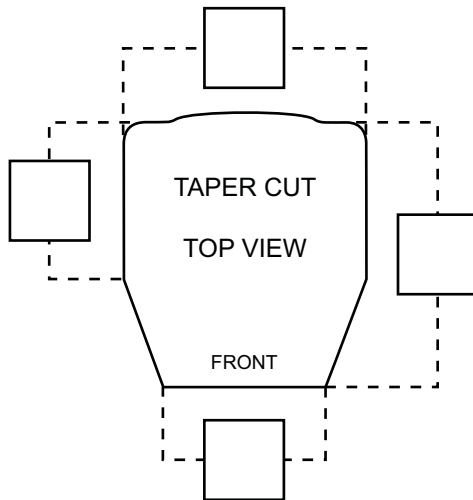
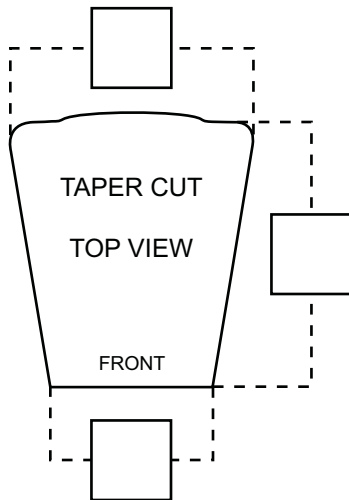


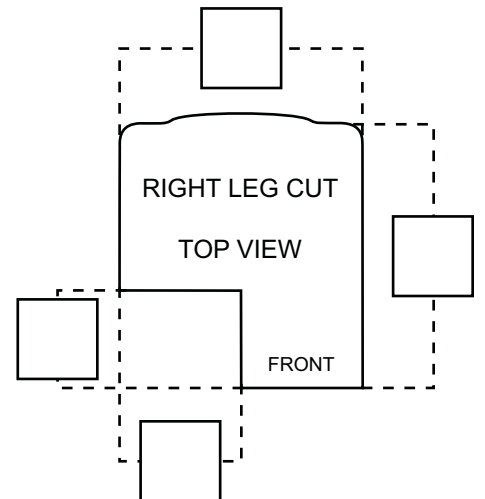
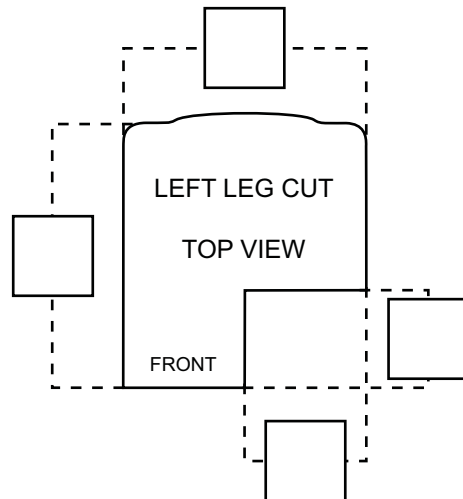
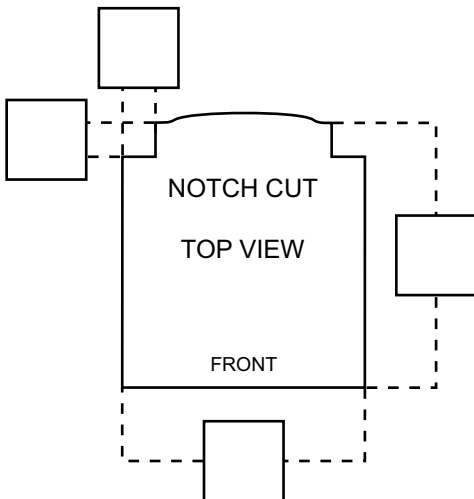
Supracor®

Technology You Can Get Comfortable With®

Supracor Cushion Special Cut Request Form



Cushion model & size (width x depth): _____



Please fill in requested dimensions in boxes provided

SPECIAL CUTS ARE NON-REFUNDABLE!

Signature: _____ Date: _____