

# Therafin FootSure Ankle Supports



## Owner's Instruction Manual

*Please ensure that this booklet stays attached to the seating device. This booklet is the property of the consumer and contains important information and instructions.*

# TABLE OF CONTENTS

General Information.....	2
Positioning Device Information and Warnings .....	3
Product Identification and Contents.....	6
Installation .....	8
Positioning Device Adjustment .....	10
Cleaning and Maintenance .....	11
Warranty .....	12

## GENERAL INFORMATION

Retain all instructions and manuals you that you received with your seating device.

Please contact your authorized dealer for any question you have regarding your positioning device.

Place their name and contact information in the space below:

Supplier: \_\_\_\_\_

Address: \_\_\_\_\_

Telephone: \_\_\_\_\_

Date Purchased: \_\_\_\_\_

## **POSITIONING DEVICE INFORMATION AND WARNINGS**



### **WARNING**

**READ THE OWNERS MANUAL BEFORE USE.**



### **WARNING**

**THIS PRODUCT IS FOR POSITIONING ONLY. IT SHOULD NOT BE RELIED ON FOR OCCUPANT RESTRAINT IN A MOVING VEHICLE**



### **WARNING**

**DO NOT CONTINUE TO USE THE DEVICE AFTER IDENTIFYING LOOSE OR BROKEN COMPONENTS. FAILURE TO COMPLY MAY RESULT IN INJURY TO THE USER.**



### **WARNING**

**DO NOT MAKE CHANGES TO THE POSITIONING DEVICE UNLESS YOU HAVE CONSULTED YOUR AUTHORIZED SUPPLIER FIRST. FAILURE TO COMPLY MAY RESULT IN INJURY TO THE USER.**

### **INFORMATION:**

1. Therafin provides many seating devices and accessories to meet the needs of those who use wheelchairs and specialty devices. The appropriate selection of these devices and any subsequent adjustments should be made with your health care advisor and Therafin supplier. The considerations for appropriate selection include (but are not limited to):
  - a. -Your particular disability, your strength, your balance and coordination.

- b. -The environment in which you use your seating device.
  - c. -Your need for options and accessories for both your safety and comfort.
- 2. Make sure the attachment (mounting) hardware is secure and tight.
- 3. Repair any problem. Your supplier can help you find and correct the problem.
- 4. Consult your supplier BEFORE you modify or adjust your product.
- 5. **For The User:**
  - a. Make sure that each person who helps you reads and follows all warnings and instructions that apply.
- 6. **For Attendants:**
  - a. Consult the user's doctor, nurse or therapist before assisting the user.
  - b. To prevent injury to your back, use good posture and proper body mechanics when you lift or support the user. This includes bending your knees slightly and keeping your back upright and straight.
- 7. Inspect and maintain this device regularly. If you detect a problem, make sure to service or repair the item before use.
- 8. At least once a year, have a complete inspection, safety check and service of your chair made by an authorized supplier.
- 9. Check all components regularly and consult your supplier to replace items for which you see any tears, rips or fraying. Keep foreign objects from entering the receiver parts of locking buckles and insure they latch at each use.
- 10. Some of the screws bolts and nuts on this device are special high-strength fasteners.
- 11. ONLY use fasteners provided by your supplier.
- 12. Over- or under-tightened fasteners may fail or cause damage to chair parts.
- 13. If bolts or screws become loose, tighten them as soon as you can.
- 14. Therafin recommends that all fasteners be checked for wear, such as loose bolts or broken components every 3 months or as needed.
- 15. Loose fasteners should be retightened according to the installation instructions.
- 16. Contact your supplier immediately to replace any broken or malfunctioning components.

17. Check the function of all moveable parts during each use. Insure they adjust and lock into position to provide the necessary support to the user.
18. When hinged or adjustable components are moved there may be a “pinch point”. Be aware of these points and insure all body parts are kept clear during movements and adjustments.

## **POSTURE AND POSITIONING BELTS**



### **WARNING**

**USE POSITIONING BELTS AND HARNESES ONLY TO HELP SUPPORT THE RIDER’S POSTURE. IMPROPER USE OF THESE BELTS AND HARNESES MAY CAUSE SEVERE INJURY OR DEATH TO THE USER.**



### **WARNING**

**THIS PRODUCT IS FOR POSITIONING ONLY. IT SHOULD NOT BE RELIED ON FOR OCCUPANT RESTRAINT IN A MOVING VEHICLE**

1. NEVER use Positioning Belts:
  - a. As a bodily restraint. Any restraint requires a doctors order (consult local laws and regulations)
  - b. If a user has become comatose or agitated.
  - c. As a motor vehicle safety restraint. Only SAE J2249 approved or vehicle mounted safety restraints can be used for transportation safety.
2. Ensure that the user can not shift their pelvis forward in the seating device.
3. All positioning belts and harnesses must not obstruct the airway.
4. All belts and harnesses must be snug, but must not interfere with normal breathing.
5. Use positioning belts only with those that cooperate and can tolerate their use.
6. Make sure the user or attendant can easily remove the belts in an emergency

# PRODUCT IDENTIFICATION AND CONTENTS

The FootSure Ankle Support is available in two styles. They contain EITHER a Hook and loop closure or a Side Release Buckle closure. Identify which style of FootSure Ankle Supports you have with the chart and pictures below.

## Side Release Buckle Closure



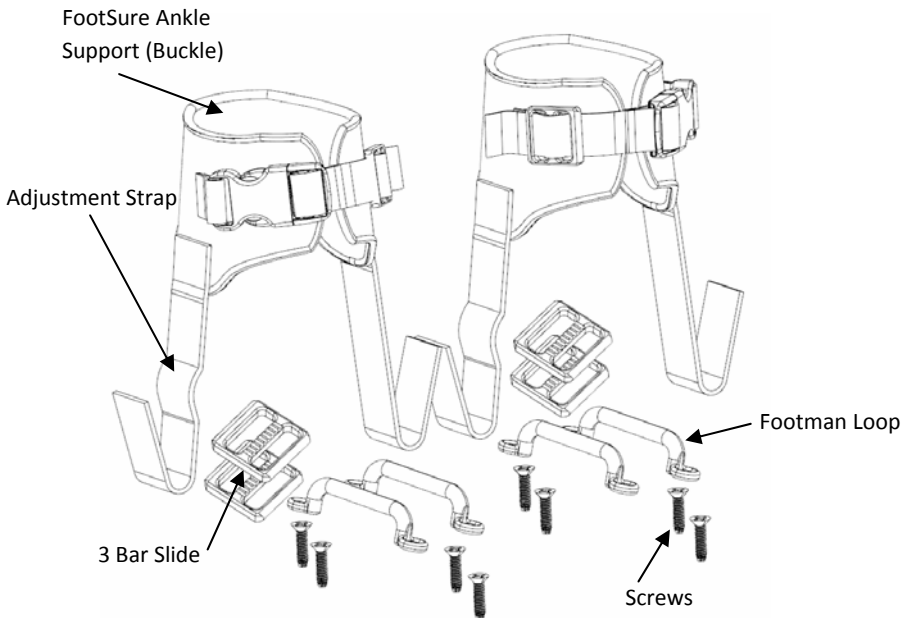
Style	Size	Item	Description	Unit
Buckle Style - PAIR	X-Small	60250	FootSure Ankle Support Buckle, X-Small	PR.
	Small	60251	FootSure Ankle Support Buckle, Small	PR.
	Medium	60252	FootSure Ankle Support Buckle, Medium	PR.
	Large	60253	FootSure Ankle Support Buckle, Large	PR.
	X-Large	60254	FootSure Ankle Support Buckle, X-Large	PR.

## Hook and Loop Closure

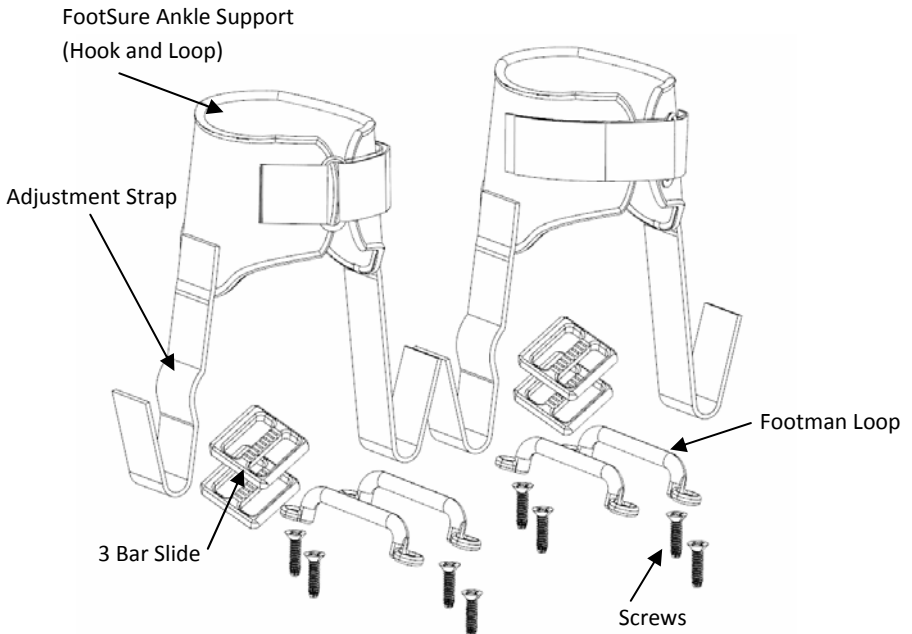


Style	Size	Item	Description	Unit
Hook and Loop Style - PAIR	X-Small	60255	FootSure Ankle Support, Hook and loop, X-Small	PR.
	Small	60256	FootSure Ankle Support, Hook and loop, Small	PR.
	Medium	60257	FootSure Ankle Support, Hook and loop, Medium	PR.
	Large	60258	FootSure Ankle Support, Hook and loop, Large	PR.
	X-Large	60259	FootSure Ankle Support, Hook and loop, X-Large	PR.

## CONTENTS OF SIDE RELEASE BUCKLE CLOSURE



## CONTENTS OF HOOK AND LOOP CLOSURE



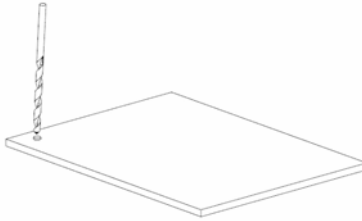
# INSTALLATION

## STEP-1 POSITION AND ATTACH FOOTMAN LOOPS

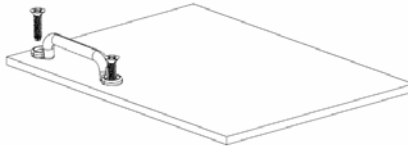
- A. Position footman loops outside of the patient's shoes and mark the hole location.



- B. Drill holes using #17 or #16 drill bit. (nearest fractional size is 11/64")



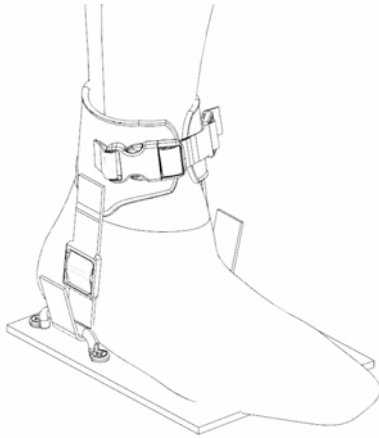
- C. Fasten Footman Loops with supplied screws.



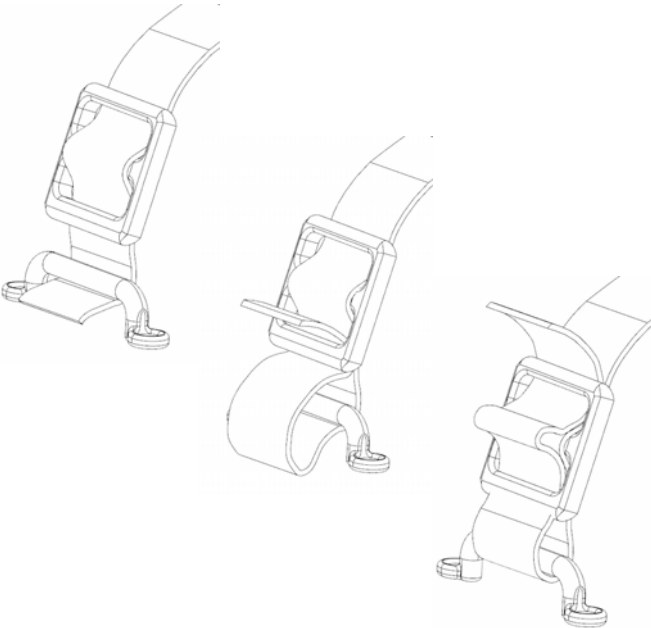


## STEP-2 ATTACH FOOTSURE ANKLE SUPPORT STRAPS (HOOKS)

- A. Place FootSure Ankle Support on the patient's ankle and determine the length of adjustment strap. Place the 3 bar slide on the strap (as shown) and pass the strap under the footman loop.



- B. Follow diagrams below to secure the adjustment strap



# POSITIONING DEVICE ADJUSTMENT

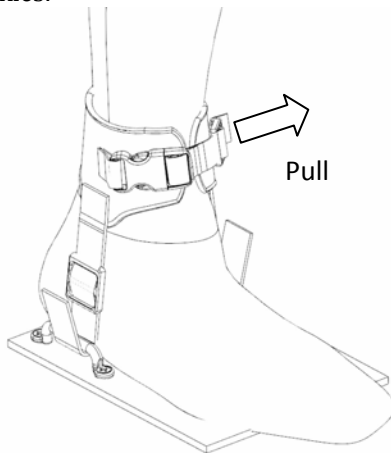
The FootSure Ankle Support has two main adjustments for growth and also to provide the correct user support.

## Adjustments can be made through:

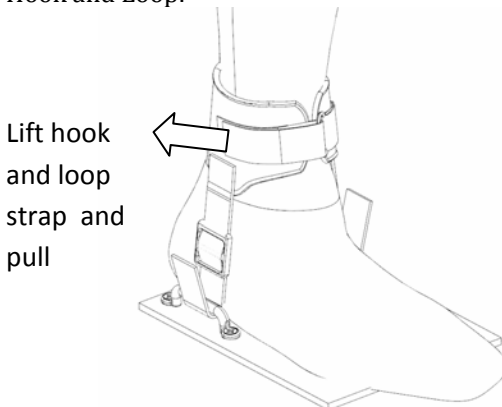
1. The adjustment straps as described in step 2 of the Installation Section.
2. Adjustment of the closure buckles or straps

## To make adjustments to buckle or strap closures:

1. Buckles:



2. Hook and Loop:



## **CLEANING & MAINTENANCE**

### **CLEANING UPHOLSTERY, WEBBING AND/OR FABRICS:**

Surfaces may be wiped clean with mild soap and water. Do not use harsh detergents, cleaning agents or abrasives. Avoid the use of polishes that can make the surfaces slippery after cleaning.

Over time, the hook surface can pick up lint and other debris that can affect its ability to grip the loop surface. Cleaning debris out of the hooks is similar to cleaning hairbrushes – and using a stiff brush or another piece of hook are the best methods. It can take some effort because the hooks in the tape are designed to grab. The optimal solution is prevention: the hook portion should be covered at all times, so it does not grab onto anything it should not – like a blanket or hair. Always engage the hook and loop before washing.

### **CLEANING POSITIONING COMPONENTS AND HARDWARE:**

Wipe clean with mild soap and water. Do not use harsh detergents, cleaning agents or abrasives. Avoid the use of polishes that can make the surfaces slippery after cleaning. Do not submerge components underwater. If you have any additional questions about how to clean or maintain your device please contact your Therafin dealer or agent.

### **MAINTENANCE:**



### **WARNING**

**FAILURE TO FOLLOW THE MAINTENANCE BELOW MAY RESULT IN INJURY TO THE USER.**



### **WARNING**

**DO NOT CONTINUE TO USE THE SYSTEM AFTER IDENTIFYING LOOSE OR BROKEN COMPONENTS OR FASTENERS:**

Therafin recommends that all fasteners should be checked for wear every 3 months. Perform an inspection for loose bolts or broken components every 3 months.

Loose fasteners should be retightened according to the installation instructions. All fasteners should be tightened to torque specifications as stated in the hardware installation instructions. Contact your Therafin or dealer supplier immediately to replace any broken or malfunctioning components.



## **WARNING**

**DO NOT CONTINUE TO USE THE SYSTEM AFTER IDENTIFYING LOOSE OR BROKEN COMPONENTS. REMOVABLE, ADJUSTABLE OR HINGED COMPONENTS.**

Check the function of all moveable components during each use. Ensure they adjust and lock into position and supply the necessary support to the user.

### **BELTS, WEBBING, STRAPS AND UPHOLSTERED POSITIONING COMPONENTS.**

Check all components regularly and replace if there are signs of tears, rips or fraying.  
Prevent foreign objects from entering locking buckles and insure they latch at each use.

## **WARRANTY**

### ***Limited Warranty***

Any product found to be defective due to the material or workmanship within one year will be replaced under our return policy following product evaluation by Therafin Corporation. This replacement warranty does not include misuse or neglect of the product.

### ***Liability***

While Therafin Corporation is responsible for any product that is defective due to manufacturing by Therafin Corporation, we are not liable for misuse or misapplication of our products. To achieve optimum performance, it is recommended that experienced professionals be consulted in selecting and applying our products.

Record your serial number here: \_\_\_\_\_