

# TiLite AERO X Order Form

Effective July 6, 2020 (New Items in Red)

FOLDING FRAME

Page 1 of 7

DEALER INFORMATION		RTS INFORMATION	
Dealer:	Account #:	RTS:	Phone:
PO:	Ordered By:	Email:	
Email:		SHIP TO INFORMATION	
Mark For:	User Weight:	Name:	Ship Via:
TiLite Sales Rep:		Address:	
<b>TiLite Information:</b>	Promo Code:	City:	State: Zip:
Ship Date:	Order #:	Phone:	Fax:

## FRAME STYLE

- AXFS1  **Aero X Aluminum Frame** (Full Adjustability. 265 Pound Weight Limit.)..... **\$2,390** K0005
- G2FS1  **2GX Titanium Frame Upgrade** (Full Adjustability. 265 Pound Weight Limit. Light Weight, High Strength and Vibration Dampening. Not Available with Frame Transit Tie-Down.)..... **\$1,875**
- XFS1  **Swing Away**..... **STD** K0005
- XFS3  **Hemi Height Frame** (Available with a Front Seat Height of 13.5" - 20" (34-51cm). Not Available with Depth Adjustable Back/Frame, 12" or 13" Seat Depth or Heavy Duty Frame.)..... **NCO**
- XFS2  **Fixed Front**..... **NCO** K0005
- XHDR1  **Heavy Duty Frame (350 Pound Weight Limit)**. Includes Tension Adjustable by Straps Back Upholstery. Available with 18" to 22" Seat Widths and 16" to 20" Seat Depths. Not Available with 90° front end.)..... **\$435**
- XPWR1  **Power Adaptable Frame** (No charge when 20" Rear Seat Width **A** and 20" Seat Depth **B** are selected. Requires LiteSpeed Billet Aluminum Front Wheels and 0 degree Camber. Not available with Single-Sided Forks.)..... **\$340**
- XRFR1  **Reinforced Frame** (No charge when 20" Rear Seat Width and 20" Seat Depth are selected.)..... **\$340**

## SMARTDRIVE POWER ASSIST SYSTEM



- XMAXSD1  **Permobil Smart Drive MX2+** (SwitchControl comes standard. Not available with rear seat heights less than 13.5")..... **\$7,131** E0986
- XMAXSD6  **NEW PushTracker E2** OR XMAXSD7  **PushTracker**..... **NCO**
- XMAXSD8  **SwitchControl Button with Mono Jack Option**..... **\$150**
- XMAXSD4  **Carrying Bag**..... **\$78**

## TRANSIT OPTIONS

- XTTDO1  **Aluminum Frame Transit Tie-Down** (Consists of four Tie-Down Brackets. Not Available with 2GX2, Heavy Duty Frame, Hemi Height Frame, Swing Away Tubular Armrests or Swing Away- Flip Back Tubular Armrests. Requires a Folding Stabilizer Bar unless a Depth Adjustable Backrest is selected. Requires minimum seat depth of 14". Please refer to the Aero X Transit Tie-Down Option Brochure for important information regarding the Transit Tie-Down Options.)..... **\$335**
- XWTB  **Transport Bracket Option** (Consists of four Tie-Down Brackets. Unoccupied Use Only.) (Not Available when Swing Away frame and Heavy Duty Frame are both selected. Not available with Swing Away Tubular Armrest or Swing Away-Flip Back Tubular Armrests. Requires a minimum seat depth of 14" or 15" seat Depth with Hemi Height Frame.)..... **\$350**

## FRAME FINISHES

### Natural Finishes

- XFF1  **Satin** (Available with Titanium Frame only.)..... **STD**
- XSCBT1  **Satin Finish Buffing Pads**..... **\$20**
- XFF3  **Tattoos** (Tattoos on front frame tubes. Titanium frame finished in Satin. Aluminum frame tattooed in blasted aluminum with clear coat. Tattoos will be trimmed and adjusted to fit your frame.)..... **\$335**

XFF45  **Need For Speed**

XFF44  **Flower Garden**



XFF43  **Mosaic**



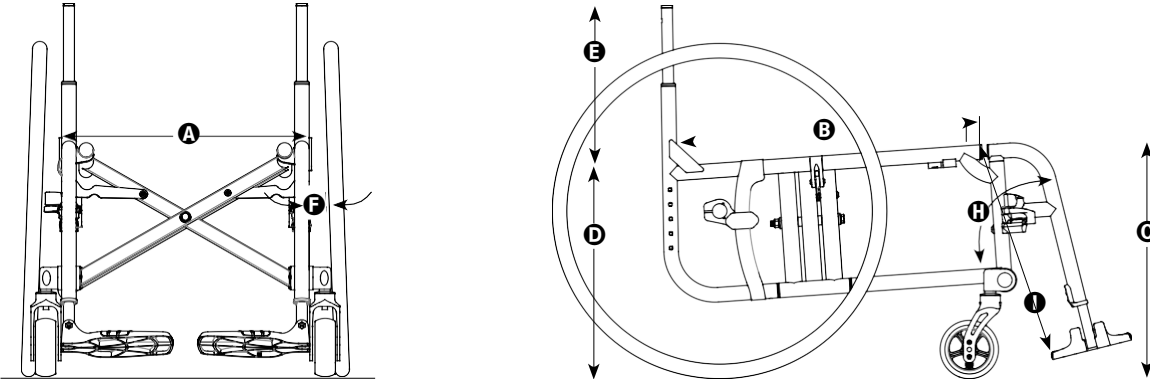
- |                             |  |   |   |
|-----------------------------|--|---|---|
| <b>High Gloss Paint</b>     | <input type="checkbox"/> TFF8 Super Wet Black      | <input type="checkbox"/> TFF10 TiLite Red         | <input type="checkbox"/> TFF29 Neon Pink                |
| <b>Metallic Paint</b>       | <input type="checkbox"/> TFF14 Ocean Blue Metallic | <input type="checkbox"/> TFF15 Tangerine Metallic | <input type="checkbox"/> TFF30 Acid Green Metallic      |
| <b>Pearlescent Paint</b>    | <input type="checkbox"/> TFF17 Midnight Blue Pearl | <input type="checkbox"/> TFF18 White Pearl        |   |
| <b>Matte Paint</b>          | <input type="checkbox"/> TFF19 Black Lava          | <input type="checkbox"/> TFF27 Titanium Grey      |   |
| <b>Candy Paint</b>          | <input type="checkbox"/> TFF22 Ruby Red            | <input type="checkbox"/> TFF23 Azure Blue         | <input type="checkbox"/> TFF25 Electric Plum            |
| <b>Matte Textured Paint</b> | <input type="checkbox"/> TFF40 Hyper Blue          | <input type="checkbox"/> TFF41 Flame Orange       | <input type="checkbox"/> TFF42 OD Green..... <b>STD</b> |

# TiLite AEROX Order Form

## FRAME MEASUREMENTS

**SEAT WIDTH A** Measure from outside of seat tube at back post to the outside of the opposite seat tube at back post.

- XSW1  12"  13"  14"  15"  16"  17"  18"  19" ..... **STD**  
 XSW2  20"  21"  22" (21" and 22" Seat Widths A are only available with Heavy Duty Frame.) ..... **\$495 E2201**



**SEAT DEPTH B** Measure from 1/2" in front of back post to the front edge of seat sling. (12"-14" Seat Depths B not available with 25" (559) and 26" (560) Rear Wheels.)

- XSD1  12"  13"  14"  15"  16"  17"  18"  19" ..... **STD**  
 XSD2  20" ..... **\$525 E2203**  
 XSD3  Custom Frame Depth: \_\_\_\_\_" Frame Depth Longer Than Seat Depth (Use 1" increments with a maximum of 2". A Custom Frame Depth with a maximum of 20" is \$475.) ..... **NCO**

**FRONT SEAT HEIGHT C** Measure from floor to top of seat tube at front edge of seat sling. Adjustable in 1/2" increments. (13.5" - 14" Front Seat Height C requires Hemi Height Frame Style. 20.5" - 21.5" Front Seat Height C not available with Hemi Height Frame Style.)

### FRONT SEAT HEIGHT RANGES

Front Wheel Size	Front Seat Height C	Hemi Front Seat Height C
3" Front Wheel	14.5" - 18.5"	13.5" - 17.5"
3" Front Wheel w/ Glide™	16.5" - 17.5"	15.0" - 17.0"
4" Front Wheel	15.5" - 19.0"	14.5" - 18.0"
4" Front Wheel w/ Glide™	17.0" - 18.0"	15.5" - 17.0"
5" Front Wheel	16.5" - 19.5"	16.0" - 18.5"
5" Front Wheel w/ Glide™	17.5" - 18.5"	16.5" - 18.0"
6" Front Wheel	17.5" - 20.0"	16.5" - 19.0"
6" Front Wheel w/ Glide™	19.0"	17.5" - 18.0"
8" Front Wheel	19.5" - 21.0"	18.5" - 19.5"

- XFSH1  13.5"  14"  14.5"  15"  15.5"  16"  16.5"  17.0"  16.5"  16.5"  17.0"  17.5"  18.0"  18.5"  19.0"  19.5"  20.0"  20.5"  21.0" ..... **NCO**

**REAR SEAT HEIGHT D** Measure from floor to top of seat tube at back post. Adjustable in 3/8" increments.

Rear Wheel Size	Rear Seat Height
22"	13.0" - 18.0"
24"	14.0" - 19.0"
25"	14.0" - 19.0"
26"	15.0" - 20.0"

- XRSH1  13"  13.5"  14"  14.5"  15"  15.5"  16"  16.5"  17"  17.5"  18"  18.5"  19"  19.5"  20" ..... **NCO**

## BACK SUPPORTS

- SSH3 Back Support Installation  Install Back OR  Do Not Install Back ..... **NCO**

**ROHO® AGILITY® BACK SUPPORT MIN CONTOUR** (Comes standard with quick release hardware.)

- Shell Height**  10"  13"  16"  18"  
 BRS5  Foam ..... **\$510 E2611**  
 BRS6  Foam + Lumbar ..... **\$615 E2613**  
 BRS7  Foam w/ Air Insert ..... **\$720 E2620**  
 BRS8  Foam w/ Air Insert + Lumbar ..... **\$720 E2615**

**ROHO® AGILITY® BACK SUPPORT MID CONTOUR** (Comes standard with quick release hardware.)

- Shell Height**  10"  13"  16"  18"  
 BRS9  Foam w/ Air Insert ..... **\$730 E2620**  
 BRS10  Foam w/ Air Insert + Lumbar ..... **\$730 E2615**

# TiLite AEROX Order Form

## BACK SUPPORTS

### COMFORT ACTA-EMBRACE™

Shell Height  10"  12"  14"  16"

SBR516  Acta-Embrace Back with 2-PT Quick Release Compass Hardware.....\$560 E2613

CPSB1  Comfort Privacy Shield.....\$40

### COMFORT ACTA-RELIEF

Shell Height  10"  12"  14"  16"

SBR513  Acta-Relief Back with 2-PT Quick Release Compass Hardware.....\$730 E2615

CPSB1  Comfort Privacy Shield.....\$40

**SEAT BACK HEIGHT ③/SEAT BACK/PUSH HANDLES** Measure from top of back post to top of seat tube at rear of frame.

### SEAT BACK TYPE

XSB13  Fixed Angle, Adjustable-Height Seat Back.....STD

XLB1  Folding Stabilizer Bar (Required with Transit Tie-Down Option unless Depth Adjustable Backrest is selected. Includes Tension Adjustable by Strap Back Upholstery.).....\$390

XSB14  Fixed Angle, Adjustable Height Seat Back w/8-Degree Bend. (Not available with Heavy Duty Frame.).....NCO

XSB18  Folding Adjustable-Angle and Height Seat Back (Not available with Heavy Duty Frame or Ride Designs® Corbac™.).....\$230

XSB16  Depth Adjustable Back/Frame (Not Available with Hemi Height Frame, Heavy Duty Frame, 19" or 20" Seat Depths ③, Swing Away Tubular or Swing Away Flip-Back Armrest. Seat Depths ③ of 12"-17" allow 3" of rearward adjustment. Seat Depth ③ of 18" allow 2" of rearward adjustment. Requires Tension Adjustable Seat Upholstery.).....NCO

### PUSH HANDLES

XSB6  Integrated Push Handles.....NCO

XSB7  Integrated Fold-Down Push Handles (Requires Tension Adjustable by Straps Back Upholstery. Not available with Heavy Duty Frame.).....\$115

XSB9  Bolt-On Height Adjustable Push Handles (Requires Tension Adjustable by Straps Back Upholstery. Not available with Heavy Duty Frame, Folding Adjustable-Angle and Height Seat Back, Swing Away Tubular Armrests or Swing Away - Flip Back Tubular Armrests.).....\$335

XSB20/XSB14 **FIXED ANGLE ADJUSTABLE SEAT BACK HEIGHT ③** (11"- 15" Fixed Seat Back Height not available with Heavy Duty Frame, Swing Away Tubular Arms 12"-15", Bolt-On Height Adjustable Push Handles or Folding Stabilizer Bar.)

#### Push Handles

(Selected on Pg. 2)

	Short	Tall	Set at: (Use 1" Increments)
None	<input type="checkbox"/> 11.0" - 15.0"	<input type="checkbox"/> 16" - 20"	Set at: _____
Integrated	<input type="checkbox"/> 11.0" - 15.0"	<input type="checkbox"/> 16" - 20"	Set at: _____
Integrated Fold-Down	<input type="checkbox"/> 11.0" - 15.0"	<input type="checkbox"/> 16" - 20"	Set at: _____
Bolt-On Height Adj.	-----	<input type="checkbox"/> 16" - 20"	Set at: _____

XSB18 **FOLDING ADJUSTABLE- ANGLE AND HEIGHT SEAT BACK ③** (Not available with a Folding Stabilizer Bar or Heavy Duty Frame)

#### Push Handles

(Selected on Pg. 2)

	Short	Medium	Tall	Set at: (Use 1" Increments)
None	<input type="checkbox"/> 11.0" - 13.0"	<input type="checkbox"/> 13.5" - 16.5"	<input type="checkbox"/> 16.5" - 19.5"	Set at: _____
Integrated	<input type="checkbox"/> 12.5" - 14.5"	<input type="checkbox"/> 13.5" - 16.5"	<input type="checkbox"/> 17.0" - 19.5"	Set at: _____
Integrated Fold-Down	<input type="checkbox"/> 15.0" - 17.0"	<input type="checkbox"/> 16.0" - 19.0"	<input type="checkbox"/> 18.5" - 20.5"	Set at: _____

## FRAME MEASUREMENTS

### CAMBER ④

XCBR8  0°  2°  4°  6°.....STD

**FRONT ANGLE ⑤** Front Angle ⑤ is measured from inside of front frame tube to top of bottom frame tube.

### Swing Away Front End

XFA3  70°  80°  85° (Not available with 6" Front Wheels.)  90° (Requires aluminum footplate. Not available with Heavy Duty Frame, 5" or 6" Front Wheels.).....STD

XFA0  Omit Hangers.....NCO

### Fixed Front End

XFA6  70°  80°  85° (85° Not available with 6" Front Wheels.).....STD

**SEAT TO FOOTREST ⑥/FOOTRESTS** Measure from front edge of seat sling to top rear of footrest.

If your Front Angle ⑤ is 70°, 80°, OR 85° select one Seat to Footrest ⑥ length and one Footrest type:

**Standard Footrests** Measurement must be at least 2" shorter than Front Seat Height ③. 70° Fixed Front has a minimum seat to footrest of 14.5"

14"  14.5"  15"  15.5"  16"  16.5"  17"  17.5"  18"  18.5"  19"  19.5"  20"

XFTR5  Flip-up Footrest.....STD

XFTR9  Depth Adjustable Flip-up Footrest.....\$110 K0045

XFTR10  Depth & Angle Adjustable Flip-up Footrest (Available for 15"- 20" Seat to Footrest ⑥ only.).....\$270 K0040, K0045

XFTR11  Angle Adjustable Flip-up Footrest (Available for 15"- 20" Seat to Footrest ⑥ only.).....\$170 K0040, K0045

**High Mount Footrests** (Not Available with Luggage Carriers, or Impact Guards.)

7"  7.5"  8"  8.5"  9"  9.5"  10"  10.5"  11"  11.5"  12"  12.5"  13"  13.5"  14"  14.5"

XFTR20  High Mount Flip-up.....\$190 K0037

XFTR15  Angle Adjustable High Mount Flip-up Footrest.....\$325 K0040, K0037

XFTR16  Depth & Angle Adjustable High Mount Flip-up Footrest.....\$375 K0040, K0037

# TiLite AEROX Order Form

Effective July 6, 2019 (New Items in Red)

FOLDING FRAME

Page 4 of 7

## CUSTOM CONFIGURATION OPTIONS

### Elevating Leg Rest

14"  15"  16"  17"  18"  19"  20"  21"

XFA5  Single Depth Adjustable Flip-up Footrest -  Left OR  Right.....\$170

XFTR17  Depth Adjustable Flip-up Footrest - Pair.....\$315

**If your Front Angle  $\Theta$  is 90°, select one Seat to Footrest  $\Theta$  length and one Footrest type:**

7"  8"  9"  10"  11"  12"  13"

XFTR5  Flip-up Footrest.....STD

XFTR9  Depth Adjustable Flip-up Footrest.....\$110

XFTR10  Depth & Angle Adjustable Flip-up Footrest.....\$270

XHLP1  Heel Loops (Not available with 13" or narrower Seat Width  $\Theta$  or 1-Piece Footrests.).....\$50

K0037  
K0040, K0037  
E0951

### FRONT WHEELS (See Front Seat Height Ranges Chart on Page 2 for Front Seat Height $\Theta$ limitations.)

XFW24  3"x1.5" LiteSpeed Billet Aluminum Wheel w/Soft Roll Tire  Silver Hub OR  Black Hub.....\$190

XFW14  4"x.75" Plastic Wheel w/Poly Tire (Not available with Power Adaptable Frame or Heavy Duty Frame).....NCO

XFW3  4"x.75" Light-Up Micro-Caster (Not available with Power Adaptable Frame or Heavy Duty Frame.).....\$80

XFW26  4"x1.5" LiteSpeed Plastic Wheel w/Soft Roll Tire (Not available with Power Assist, Power Add-on System or Heavy Duty Frame.).....\$95

XFW27  4"x1.5" LiteSpeed Billet Aluminum Wheel w/Soft Roll Tire  Silver Hub OR  Black Hub.....\$200

XFW6  5"x1" Plastic Wheel w/Poly Tire (Not available with Power Adaptable Frame, Heavy Duty Frame or with 90° Front Angle  $\Theta$ .).....NCO

XFW28  5"x1.5" LiteSpeed Plastic Wheel w/Soft Roll Tire (Not available with Power Adaptable Frame, Heavy Duty Frame or 90° Front Angle  $\Theta$ .).....\$95

XFW30  5"x1.5" LiteSpeed Billet Aluminum Wheel w/Soft Roll Tire  Silver Hub OR  Black Hub (Not available with 90° Front Angle  $\Theta$ .).....\$215

XFW9  6"x1" Plastic Wheel w/Poly Tire (Not available with Power Adaptable Frame, Heavy Duty Frame or 85° or 90° Front Angle  $\Theta$ .).....NCO

XFW32  6"x1.5" LiteSpeed Plastic Wheel w/Soft Roll Tire (Not available with Power Adaptable Frame, Heavy Duty Frame, 85° or 90° Front Angle  $\Theta$ .).....\$100

XFW33  6"x1.5" LiteSpeed Billet Aluminum Wheel w/Soft Roll Tire  Silver Hub OR  Black Hub (Not available with 85° or 90° Front Angle  $\Theta$ .).....\$225

XFW16  8"x1" Plastic Wheel w/Poly Tire (Not available with Power Assist, Power Add-on, Heavy Duty Frame or 12"-14" Seat Depths. Available with 70° Front Angle  $\Theta$  only.).....NCO

### FRONT FORKS

XFK1  TiLite Standard Fork.....STD

XGL1  Out-Front Glide™ Suspension Fork (Available in Black anodize only. Not available with 8" Front Wheels or Heavy Duty Frame).....\$485

Rider's Weight:  125 lbs.  125-180 lbs.  180-265 lbs. E1015

### ONE ARM DRIVE

XOAD1  One Arm Drive (Available with 24" Mag Wheels only. Rear Seat Height, Camber or axle restrictions may apply.).....\$1,200

Drive Handrim Side (Available with standard aluminum handrim only.)  Install on Left  Install on Right E0958

### STANDARD REAR WHEELS (See Rear Seat Height Ranges Chart on Page 2 for Rear Seat Height $\Theta$ limitations.)

XRW14 TiLite SHADOW™.....STD

22"(501)

24"(540)

25"(559) (Requires 15" minimum Seat Depth  $\Theta$ .)

26"(590) (Requires 15" minimum Seat Depth  $\Theta$ .)

### PERFORMANCE REAR WHEELS (See Rear Seat Height Ranges Chart on Page 2 for Rear Seat Height $\Theta$ limitations.)

XRW7 Spinergy® SPOX  Black  Red  Blue  White.....\$845

22"(501) - Std. Hub

24"(540) - Std. Hub

25"(559) - Std. Hub (Requires 15" minimum Seat Depth  $\Theta$ .)

26"(590) - Sport Hub (Requires 15" minimum Seat Depth  $\Theta$ . Not available with Quad Release Axles.)

XRW8 Spinergy® LX (Available with Heavy Duty Frame only when 0 or 2 degree camber is selected.)

Black  Red  Blue  White  Bright Orange  Flamingo Pink  Purple.....\$1,060

22"(501) - Std. Hub

24"(540) - Std. Hub

25"(559) - Std. Hub (Requires 15" minimum Seat Depth  $\Theta$ .)

26"(590) - Sport Hub (Requires 15" minimum Seat Depth  $\Theta$ . Not available with Quad Release Axles.)

XRW16 Spinergy® Carbon Blade (Not available with Heavy Duty Frame.).....\$1,480

24"(540)

25"(559) (Requires 15" minimum Seat Depth  $\Theta$ .)

XRW17 X-Core Mag (Not available with Heavy Duty Frame, Short Tabs, Quad Release Axles, Spoke Guards or Omit Handrims Option. Requires Aluminum Silver Anodized Handrims.).....NCO

22"(501)

24"(540)

### AXLES

XAXL1  Stainless Quick Release.....STD

XAXL2  Titanium Quick Release.....\$255

XAXL3  Quad Release (Not available with Mag or 26"(590) Spinergy Spox or Spinergy LX Rear Wheels.).....\$155

# TiLite AERO X Order Form

Effective July 6, 2019 (New Items in Red)

FOLDING FRAME

Page 5 of 7

## CUSTOM CONFIGURATION OPTIONS

### PNEUMATIC REAR TIRES

XRTR1	<input type="checkbox"/> Treaded (Not available with 25"(559) Rear Wheels.)	STD	
XRTR2	<input type="checkbox"/> Airless Inserts	\$90	E2213
XRTR3	<input type="checkbox"/> 25"(559) Primo Treaded (Standard with 25"(559) Rear Wheels.)	STD	
XRTR4	<input type="checkbox"/> Primo Slick	NCO	
XRTR30	<input type="checkbox"/> 24"(540), 25"(559) and 26"(590) Primo Sentinel	\$125	
XRTR8	<input type="checkbox"/> 24"(540), 25"(559) and 26"(590) Schwalbe® Marathon Plus Evolution	\$140	
XRTR9	<input type="checkbox"/> 24"(540) and 25"(559) Schwalbe® Slick	\$145	
XRTR24	<input type="checkbox"/> 24"(540) Kenda Kobra Knobby	\$95	

### SOLID REAR TIRES

XRTR22	<input type="checkbox"/> 22"(501), 24"(540) and 25"(559) Primo Express (Not available with Spinergy Carbon Blade Rear Wheels.)	\$110
XRTR23	<input type="checkbox"/> 24"(540) and 25"(559) Primo Active	\$135

### HANDRIMS

XRIM1	<input type="checkbox"/> Aluminum – Silver Anodized	STD
XRIM21	<input type="checkbox"/> Aluminum – Black Anodized	NCO
XRIM12	<input type="checkbox"/> Titanium – Satin Finish (Not available with 20"(451) or 22"(501) Rear Wheels, or 24"(540) Knobby tires.)	\$470

### Handrims by OUT-FRONT®

XRIM10	<input type="checkbox"/> The Surge (All-In-One Oval with Gription™ Strip, Larger Profile)	\$400
XRIM11	<input type="checkbox"/> The Surge LT (All-In-One Oval with Gription™ Strip, Smaller Profile)	\$430
XRIM20	<input type="checkbox"/> Q-Grip (Exclusive High-Friction, Anti-Slip Coating)	\$330

### The Natural-Fit® (Original, Larger Profile) (Not available with 20"(451) Rear Wheels.)

TRIM14	<input type="checkbox"/> Standard Grip (Not available with Short Tabs or Spinergy Carbon Blade Rear Wheels.)	\$395
TRIM15	<input type="checkbox"/> Super Grip (Not available with Short Tabs or Spinergy Carbon Blade Rear Wheels.)	\$430
TRIM16	<input type="checkbox"/> Without Thumb Grip	\$360

### The Natural-Fit® LT (Reduced Weight, Smaller Profile) (Not available with 20"(451) Rear Wheels.)

TRIM17	<input type="checkbox"/> Standard Grip (Not available with Short Tabs or Spinergy Carbon Blade Rear Wheels.)	\$415
TRIM18	<input type="checkbox"/> Super Grip (Not available with Short Tabs or Spinergy Carbon Blade Rear Wheels.)	\$475
TRIM19	<input type="checkbox"/> Without Thumb Grip	\$390

### Additional Handrim Options

XRIM5	<input type="checkbox"/> Plastic Coated – Black	\$160
XRIM22	<input type="checkbox"/> Omit Handrims	NCO

### Tab Length

XRIM7	<input type="checkbox"/> Long Tabs	STD
XRIM8	<input type="checkbox"/> Short Tabs (Not available with Mag Rear Wheels or The Natural-Fit® Handrims with Thumb Grip.)	\$25

### WHEEL LOCKS

#### Wheel Locks by OUT-FRONT® (Composite wheel locks not always compatible with 12"-13" Seat Depth. Uni-locks will be substituted at no charge.)

XWLK7	<input type="checkbox"/> Compact Composite Push to Lock	NCO	
XWLK8	<input type="checkbox"/> Compact Composite Pull to Lock	NCO	
XWLK10	<input type="checkbox"/> Extension Handles for Compact Composite Push/Pull to Lock	\$85	E0961
XWLK9	<input type="checkbox"/> Composite Scissor Lock (Not available on Aero X2 Swing Away.)	\$145	

#### Additional Wheel Locks

XWLK3	Uni-Lock Set At: <input type="checkbox"/> Push <b>OR</b> <input type="checkbox"/> Pull	\$165	
XWLK4	<input type="checkbox"/> Extension Handles for Uni-Lock	\$85	E0961
XWLK15	<input type="checkbox"/> Grade Aids Push to Lock (Not available with solid rear tires.)	\$175	E0974

### BACK UPHOLSTERY (Want more seating options? [Click here](#) to view the new TiLite Seating Order Form.)

XBUP1	<input type="checkbox"/> Padded Nylon (Black Only. Not available with Heavy Duty Frame, Folding Back, Folding Stabilizer Bar, Depth Adjustable Frame, Fold-Down Push Handles or Ultrasuede Backrest Stripe.)	STD	
Tension Adjustable by Straps (Included with Heavy Duty Frame. Required with Aluminum Fendered Side Guards and Fold-Down Push Handles.)			
XBUP3	<input type="checkbox"/> Padded Nylon	\$340	E2611
XBUP5	<input type="checkbox"/> AIR Breathable Upholstery (Not available with Ultrasuede Backrest Stripe.)	\$340	E2611
XUPC3	Ultrasuede Backrest Stripe <input type="checkbox"/> Black (Not available with Padded Nylon or AIR Breathable Back Upholstery.)	\$105	
XBUP0	<input type="checkbox"/> Omit Back Upholstery	NCO	

### SEAT UPHOLSTERY

XSUP4	<input type="checkbox"/> Tension Adjustable (Black only)	STD
XSUP0	<input type="checkbox"/> Omit Seat Upholstery	NCO

### SEAT CUSHION (Want more seating options? [Click here](#) to view the new TiLite Seating Order Form.)

XCSH2	<input type="checkbox"/> Comfort Curve Cushion (Stretch-Air cover)	\$120	E2601
XCSH23	<input type="checkbox"/> Comfort Acta-Embrace™ Comfort-Tek Zero Elevation Cushion	\$360	E2607
XCSH14	<input type="checkbox"/> ROHO Hybrid Elite SR Single Compartment (Fits seat widths 14" to 19")	\$560	E2622
XCSH14	<input type="checkbox"/> ROHO Quadtro Select (Fits seat widths 14" to 19") Profile: <input type="checkbox"/> Low <input type="checkbox"/> Mid <input type="checkbox"/> High	\$525	E2624

# TiLite AEROX Order Form

Effective July 6, 2019 (New Items in Red)

FOLDING FRAME

Page 6 of 7

## CUSTOM CONFIGURATION OPTIONS

### SIDE GUARDS

#### Aluminum

- XSDG2  Rigid Removable  Small **OR**  Std.....\$200
- XSDG3  Quad Removable w/Hole  Small **OR**  Std.....\$215
- XSDG6  Fendered Adjustable (Requires Tension Adjustable by Straps Back Upholstery. Not available with Angle-Adjustable Fold-Down Seat Backs.).....\$335

#### Carbon Fiber

- XSDG7  Rigid Removable  Small **OR**  Std.....\$310
- XSDG8  Quad Removable w/Hole  Small **OR**  Std.....\$320
- XSDG11  Fendered Adjustable (Requires Tension Adjustable by Straps Back Upholstery. Not available with Angle-Adjustable Fold-Down Seat Backs.).....\$565

### ARMRESTS (Desk Arms come with built-in Side Guards.)

- XARM1 Swing Away Tubular (Not available with Heavy Duty Frame, Folding Stabilizer Bar with Short or Medium Seat Back Height ranges or Depth Adjustable Back.).....\$225 E0973  
 9" - 12" **OR**  12" - 15"
- XARM4  Swing Away - Flip Back Tubular (Not available with Heavy Duty Frame, Folding Stabilizer Bar or Depth Adjustable Back.).....\$315 E0973
- XARM2 Removable Height Adjustable DeskArm with Rigid Side Guard (Requires 14" minimum Seat Depth **Ⓟ**.).....\$335 E0973  
 9" to 12" **OR**  12" to 15"  
 Standard Length Pad (10") **OR**  Full Length Pad (14")
- XARM3 Removable Height Adjustable Desk Arm with Rigid Side Guard and Transfer Loop (Requires 16" minimum Seat Depth **Ⓟ**.).....\$375 E0973  
 9" to 12" **OR**  12" to 15"  
 Standard Length Pad (10") **OR**  Full Length Pad (14")
- XARM8 Standard 2-Point Flip-Back Height Adjustable Desk Arm With Rigid Side Guard.....\$295 E0973  
 9" to 12" **OR**  12" to 15"  
 Standard Length Pad (10") **OR**  Full Length Pad (14")
- XARM9 Standard 2-Point Flip-Back Height Adjustable Desk Arm With Rigid Side Guard and Transfer Loop.....\$335 E0973  
 9" to 12" **OR**  12" to 15"  
 Standard Length Pad (10") **OR**  Full Length Pad (14")

### Available Armrest Option

- XARM5  Covered in Black Ultrasuede (Not available with Desk Arms).....\$110

### SEAT BELTS

- XBLT1  Velcro Adjustable, Black Nylon Webbing.....\$55 E0978
- XBLT2  Bodypoint® 2" Push-Button Buckle (Auto-Style.).....\$95 E0978
- XBLT4  Bodypoint® 1" Wide Push-Button Buckle Padded (Auto-Style.) (Not available with 19" - 22" Rear Seat Widths **Ⓟ**.).....\$180 E0978
- XBLT5  Bodypoint® 1.5" Wide Push-Button Buckle Padded (Auto-Style.) (Not available with 19" - 22" Rear Seat Widths **Ⓟ**.).....\$170 E0978
- XBLT8  Q'Straint® WC-19 Wheelchair-Anchored Pelvic Belt (Recommended for use with Transit Tie Down.).....\$200 E0978
- XBL10  Bodypoint® Optional Band Clamp Mounting Hardware.....\$20 K0108
- XBLT16  Bodypoint® EvoFlex® Pelvic Stabilizer Push Button.....\$185 E0978

### CALF STRAP

- XCLF2 Velcro Adjustable.....\$40 K0038  
 Small (Recommended for 9" - 12" Footrest Widths)  
 Medium (Recommended for 11" - 15" Footrest Widths)  
 Large (Recommended for 14" - 17" Footrest Widths)  
 Xtra Large (Recommended for 16" - 19" Footrest Widths)
- XCLF3 Bodypoint® Padded Velcro Adjustable.....\$100 K0038  
 Medium (Recommended for 12" - 15" Footrest Widths)  
 Large (Recommended for 16" - 20" Footrest Widths)
- XCLF1  Buckle Adjustable, Black Nylon Webbing.....\$30 K0038

### RESIDUAL LIMB SUPPORT

- XRSL1  Residual Limb Support (8" width x 10" length).....\$395 E1020
- XRSL2  Residual Limb Support Pair (8" width x 10" length).....\$790 E1020

### BACK PACK

- XBCK3  Black Permobil Back Pack.....\$95

### SEAT POUCH

- XPCH3  Black Permobil Seat Pouch.....\$60
- XPCH4  Bodypoint® Mobility Bag.....\$100

### SPOKE GUARDS

- XGRD1  Clear with TiMotion Logo (Not available with Mag Rear Wheels.).....\$135 K0065

# TiLite AEROX Order Form

Effective July 6, 2019 (New Items in Red)

FOLDING FRAME

Page 7 of 7

## CUSTOM CONFIGURATION OPTIONS

### ANTI-TIPS

XTIP1	<input type="checkbox"/> Rear Aluminum - Black.....	\$160	E0971
XTIP2	<input type="checkbox"/> User Friendly Flip-up.....	\$335	E0971
XTIP9	<input type="checkbox"/> Tip Assist.....	\$105	E0971

### ACCESSORIES

XUEST1	Upper Extremity Support Tray <input type="checkbox"/> 12" to 14" <b>OR</b> <input type="checkbox"/> 13" to 15" Seat Widths <b>A</b> (Requires Armrests.).....	\$290	E0950
XLUG1	<input type="checkbox"/> Luggage Carriers (Not available with High Mount Swing Away Footrests or 1-Piece Flip-up Footrest.).....	\$145	
XMPCT2	Neoprene Impact Guards with Ultrasuede Stripe (Not available with High Mount Footrests, 90° Hangers or Elevating Leg Rest.) <input type="checkbox"/> Black.....	\$105	
XCH1	<input type="checkbox"/> Crutch Holder.....	\$225	
XAFP1	4" Logo Patch <input type="checkbox"/> Army <input type="checkbox"/> Navy <input type="checkbox"/> Air Force <input type="checkbox"/> Marines.....	\$105	

## GENERAL

More options and frame modifications may be available through our Creative Mobility Division! Please contact customer service for details or [click here](#) to view options.

Permobil manufactures TiLite manual wheelchairs in a wide variety of configurations to meet the varied needs of wheelchair users. The final selection of a particular model, its options and accessories, and its measurements rests solely with the wheelchair user and advising healthcare professional. These wheelchairs must be fitted by a qualified healthcare professional. HCPCS Codes are for reference purposes only. Actual coding and coverage varies by payer. Proper HCPCS coding is not a guarantee of payment. Please verify the appropriate payer's coverage policy.

**Get the latest order forms at permobilus.com.** Prices, standard features, options and accessories are subject to change without notice. All rights reserved. Trademarks are identified by symbols™ and ®. TiLite, TiFit, the TiLite logo, Ti, the Ti logo, and TiShaft are registered trademarks of TiSport, LLC and are licensed to Permobil. Permobil® is a registered trademark of Permobil. Adobe®, Acrobat®, Acrobat Professional® and Reader® are registered trademarks of Adobe Systems Inc. Bodypoint® is a registered trademark of Bodypoint Inc. Kenda® is a registered trademark of Kenda Rubber Industrial Co. Ltd. ROHO®, AGILITY®, Low Profile® and Quadro Select® are registered trademarks of ROHO Inc. Schwalbe® is a registered trademark of Ralf Bohle GmbH. The Natural-Fit® and Out-Front® are registered trademarks of Three Rivers Holdings, LLC. The ACTA-BACK®, ACTA-EMBRACE™, COMFORT-TEK™, COMPASS®, CURVE®, ELEMENTS®, and STRETCH AIR™ are registered trademarks of THE COMFORT COMPANY® and are licensed to Permobil. Q'Strain® is a registered trademark of Q'Strain Inc.